



SUPERLIFT
SANITARY LIFTS

MANLIFTS

Tool Man™

The most versatile tool in your toolbox

Up to 10,000 lbs

SUPERLIFT introduces the next product that will change the shop floor and the jobsite.

TOOL MAN™ can lift your personnel and your work to height as high as 16 feet, 1,000 and 2,000 lbs capacities in a compact size.

TOOL MAN™ provides a manual push powered lift to combine manlift and material lift and do it all with one piece of equipment.

TOOL MAN™ saves time and money. Perfect for industrial and construction applications as well as schools, hospitals, arenas, malls, retail shops and warehouses.



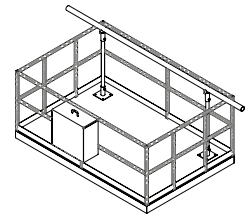
Features

- **Battery powered**
- **Working heights to 17 feet**
- **Long battery life 24 volt DC**
- **Forkliftable**
- **Emergency lowery valve**
- **Non marking casters**
- **Towing hook**
- **Removable railings**
- **Many options available**

Tool Man Options



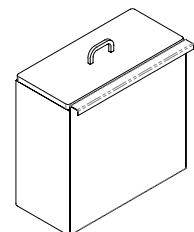
rotating platform



pipe filter



stainless steel



tool cady



SUPERLIFT
SANITARY LIFTS

MANLIFTS

Tool Man™

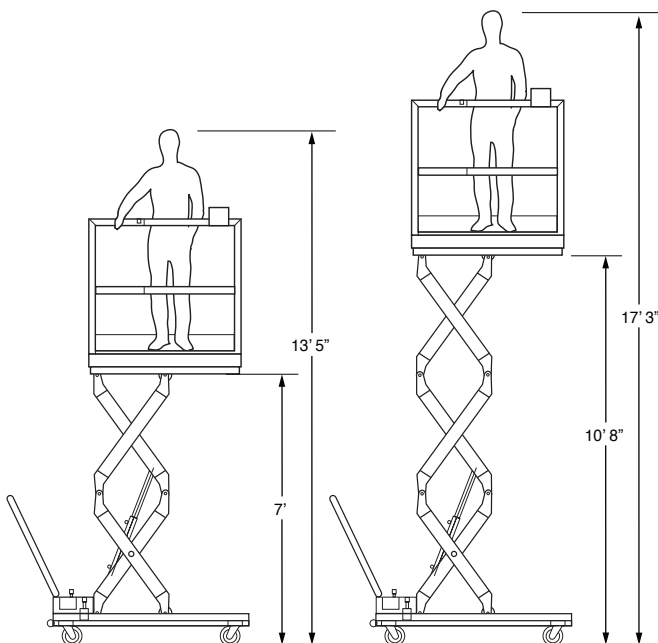
The most versatile tool in your toolbox

Up to 10,000 lbs

Specifications

| Model | SL TM 7 | SL TM 10 |
|------------------------|-------------------------------|-------------------------------|
| Capacity MANLIFT | 700 lbs (318 kg) | 700 lbs (318 kg) |
| Capacity MATERIAL LIFT | 2,000 lbs (907 kg) | 2,000 lbs (907 kg) |
| Platform height | 7' (213 cm) | 10'8" (325 cm) |
| Working height | 13' 5" (408 cm) | 17' 3" (525 cm) |
| Platform size | 33" x 47.25" (83 cm x 120 cm) | 33" x 47.25" (83 cm x 120 cm) |
| Electrical | | |
| Voltage | 24 Volt DC | 24 Volt DC |
| Batteries | 2x 12V/100 Ah | 2x 12V/100 Ah |
| Battery charger | 110 Volt | 110 Volt |

Drawings



Optional Equipment

- Stabilizers & push handle
- Rotating platform
- Pipe attachment
- Confined spaced handrail
- Platform extension
- Bag tilter
- Board lift assists