



MAJOR ACCOUNT PROGRAM

ELECTRIC AND CUSTOM LIFT TRUCKS



SL XPA/XPAe 20/25/30 Electric Pallet Truck



CUSTOMIZED ELECTRIC PALLET TRUCKS Any Configuration to 35,000 lbs



VEHICLE MOVER
Perfect solution for moving vehicles



PAPER ROLL PALLET TRUCK
Ideal form moving different size rolls



PLATFORM TRUCK
Used for moving large size molds and flat glass



SL XPC
Min fork height 3.1"
Load capacity 3,300 lbs



SL XPS 30/35/40/50
Min fork height 3.3"
Load capacity 6,500 / 7,700 / 8,800 / 11,000 lbs



SL XP 60/70/80
Min fork height 5.9"-6.9"
Load capacity 13,000 / 15,000 / 17,000 lbs



SL XP 100/120
Min fork height 7.9"
Load capacity 22,000 / 27,000 lbs



HEAVY DUTY PALLET TRUCK
Great for moving heavy molds
Up to 30,000 lbs



ORDER PICKER
Great for picking of moving goods



DOUBLE PALLET TRUCK
Suitable form moving double pallets

SL XE 15/20 Electric Stacker



CUSTOMIZED ELECTRIC STACKERS



ROD
Suitable form moving and lifting goods in roll



ULTRA LOW MAST
Ideal form moving and lifting goods in limited spaces, containers, etc



GRABBING & LIFTING FRAME
Perfect form moving and lifting goods in roll



LONG CUSTOMIZED FORK
Great for moving quartz material equipment



SL XEA 10/12 XEB 15
Load capacity
2,200 lbs/2,500 lbs/3,300 lbs
Lifting height
63"-192.8"



SL XEP 10
Load capacity
2,200 lbs
Lifting height
63"-137.7"



SL XEH 20
Load capacity
4,500 lbs
Lifting height
220.4"-267.7"



SL XEK 10/15/20
Load capacity
2,200 lbs/3,300 lbs/4,500 lbs
Lifting height
63"-216.5"



HOOK COUPLING TYPE TOWING TRACTOR
Great for pulling corrugating machine



FIXED TYPE TOWING HEAD
Suitable textile machine



NON STANDARD TOWING HEAD
Ideal for pulling small platform



SWING-ARM TYPE TOWING HEAD
Perfect for pulling huge machine

CUSTOMIZED PRODUCTS WITH OPTIONAL ATTACHMENTS



PAPER BALE CLAMP

Efficiently moves and stacks square bale type goods without the use of pallet



STABILIZER

Specifically designed for moving and lifting fragile goods



PAPER ROLL CLAMPS

Moves and lifts cylindrical roll clamps. Rotates 180° or 360°



ULTRA LOW MAST

Operates in height limited spaces like containers



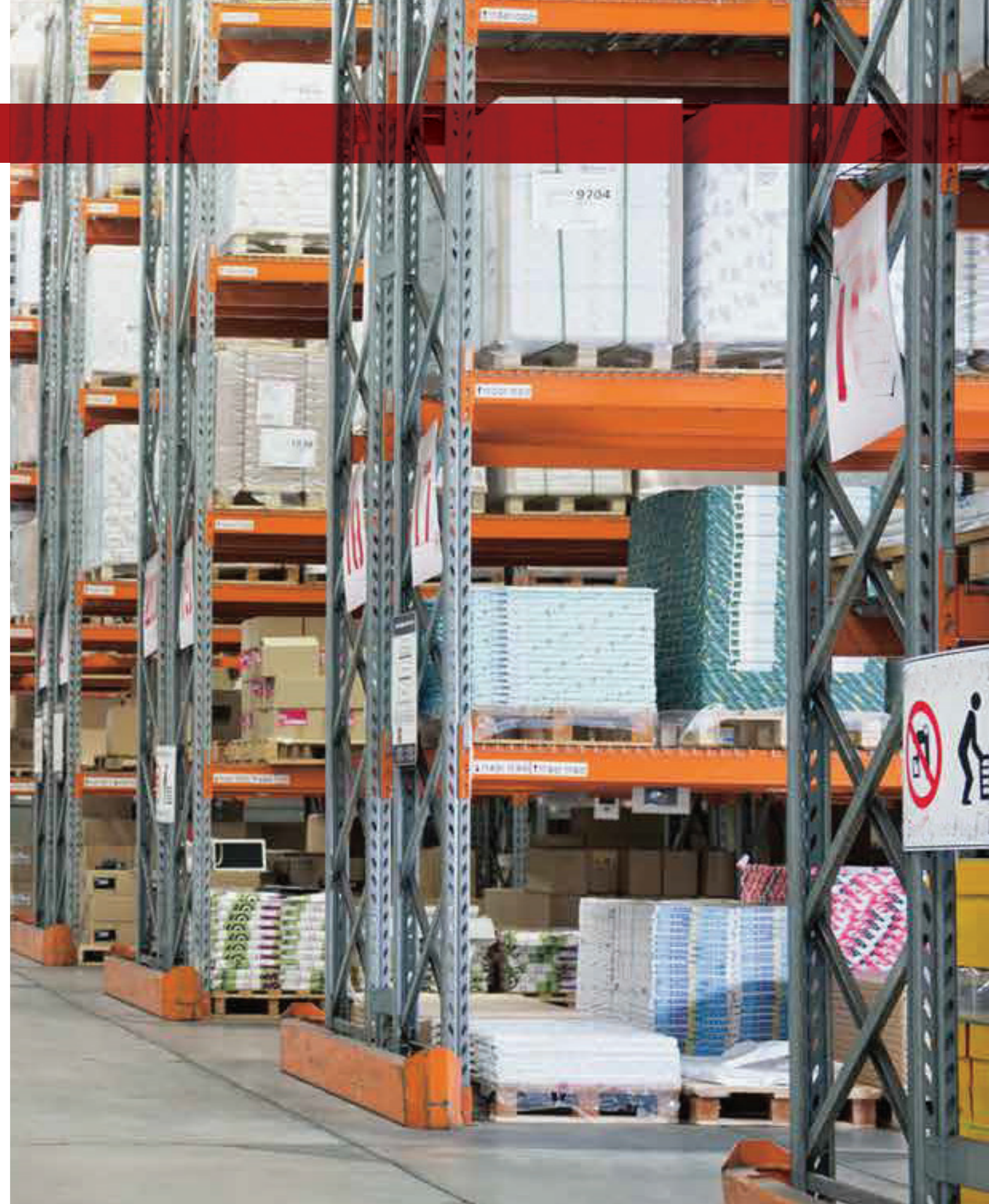
ULTRA WIDE FORK CARRIAGE

Designed for moving and lifting longer and wider materials



TILTING FORK & ROTATOR

Safely and efficiently dumps bulk material from container



SL FRB 20 Electric Reach Truck



SL FRA 15
Lifting height
63"-283.4"
Load capacity
3,300 lbs



SL FRC 15/20
Lifting height
63"- 216.6"
Load capacity
3,300 lbs-4,500 lbs



SL XR 15/20
Lifting height
63"- 216.6"
Load capacity
3,300 lbs-4,500 lbs



SL XRA 10/12
Lifting height
63"-137.7"
Load capacity
2,200 lbs-2,600 lbs

SL XTE 30/40/50 Electric Towing Tractor



SL XT 20
Operation type
Sitting on
Rate traction capacity
4,500 lbs



SL XT 40
Operation type
Sitting on
Rate traction capacity
8,800 lbs



SL XT 60
Operation type
Sitting on
Rate traction capacity
13,200 lbs



SL XT 30
Operation type
Standing on
Rate traction capacity
6,600 lbs



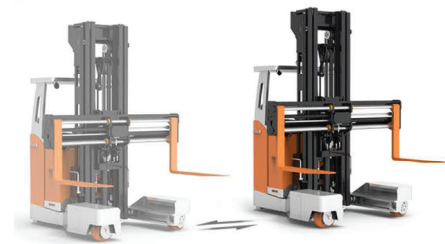
SL XT 250
Operation type
Sitting on
Rate traction capacity
55,000 lbs

SL RSEW 360° Rotate & Fork Positioner



Features

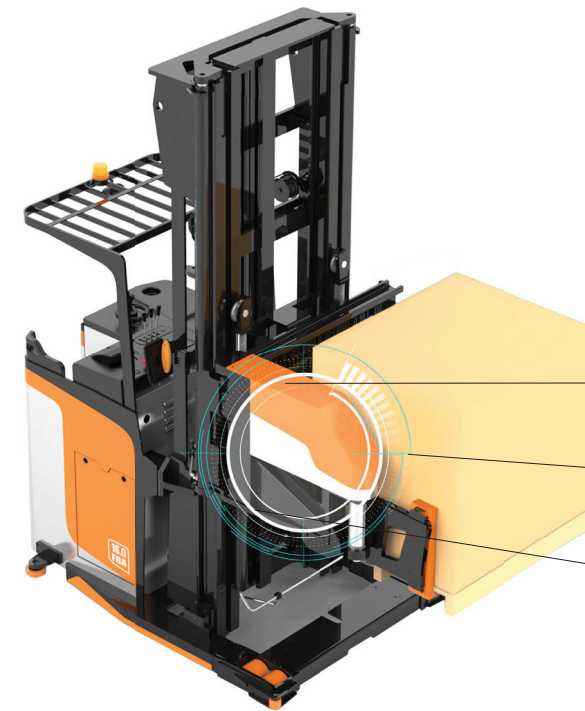
- Max load capacity 6,600 lbs
- Max lifting height 394"
- Aisle width 112"



Oblique Moving

SL VOA 180° Rotate Fork

Rotate & move horizontally in very narrow aisle



Features

- Max load capacity 3,527 lbs
- Max lifting height 354.3"
- Aisle width 62.2"

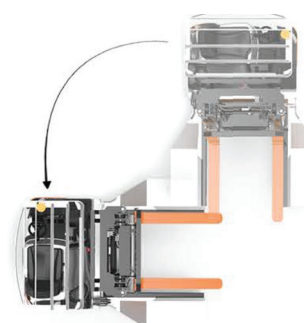
DIFFERENT DRIVING MODELS



360 Rotary



Parallel Moving



All wheels turning



Fork Positioner
Max Fork width 98.5"

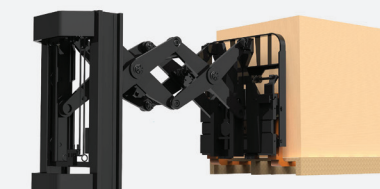
SL RRE115 Double Reach Truck

Specifically designed for narrow aisle stacking



Features

- Max load capacity 3,300 lbs
- Max lifting height 400"
- Aisle width 123"



Maximum reach distance up to 42.5"

S LXTB 30 Electric Towing Tractor 6,500 lbs Capacity



Features

- 6,500 lbs lift capacity
Hydraulic pump
- Regenerative braking function
- CURTIS electronic controller
- Emergency reversing device in the handle provides improved operating safety
- Emergency power disconnect switch
- Braking applied with handle upright and horizontal position, increasing the safety of the truck

SL XTB 60 Electric Towing Tractor 13,000 lbs Capacity



Features

- 13,000 lbs lift capacity
- Regenerative braking function
- CURTIS electronic controller
- Emergency reversing device in the handle provides improved operating safety
- Emergency power disconnect switch
- Braking applied with handle upright and horizontal position, increasing the safety of the truck



SL XTB 50
Electric Towing Tractor
with Swing Arm
Load capacity
6,500 lbs



SL XTB 60
Electric Towing Tractor
Load capacity
13,000 lbs



SL XTB 200
20 Ton Towing Tractor
With Lift
Load capacity
40,000 lbs



SL XTB 50
Electric Towing Tractor
with Swing Arm
Load capacity
6,500 lbs



SL XTB 30
Electric Towing Tractor
Load capacity
6,500 lbs



SL XTB 200
20 Ton Towing Tractor
With Lift
Load capacity
40,000 lbs

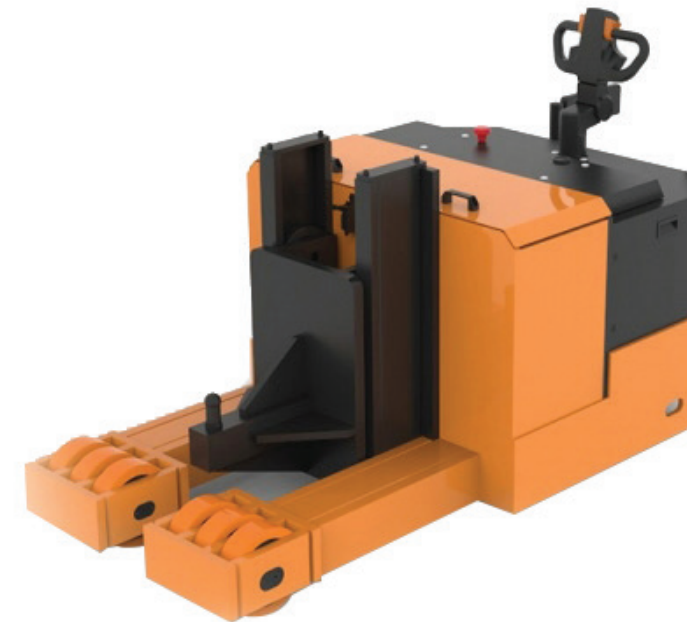
SL XTB 50 Electric Towing Tractor With Swing Arm 6,500 lbs Capacity



Features

- 6,500 lbs lift capacity
- Hydraulic pump
- Regenerative braking function
- CURTIS electronic controller
- Emergency reversing device in the handle improves operating safety
- Emergency power disconnect switch
- Braking applied with handle upright and horizontal position, increasing the safety of the truck

SL XT 200 20 Ton Towing Tractor With Lift 40,000 lbs Capacity



Features

- Heavy duty 40,000 lbs capacity
- Regenerative braking function
- CURTIS electronic controller
- Emergency reversing device in the handle provides improved operating safety
- Emergency power disconnect switch
- Braking applied with handle upright and horizontal position, increasing the safety of the truck



SL XTB 30
Electric Towing Tractor
Load capacity
6,500 lbs



SL XTB 60
Electric Towing Tractor
Load capacity
13,000 lbs



SL XTB 200
20 Ton Towing Tractor
With Lift
Load capacity
40,000 lbs



SL XTB 50
Electric Towing Tractor
with Swing Arm
Load capacity
6,500 lbs



SL XTB 30
Electric Towing Tractor
Load capacity
6,500 lbs



SL XTB 60
Electric Towing Tractor
Load capacity
13,000 lbs

SL XTA 60 6 Ton Electric Towing Tractor

6,000 kg | 13,000 lbs



Features

- Suspended seat adjusts the bearing capacity according to the weight
- Inner safety switch ensures safer operation
- Bigger steering angle ensures smaller turning radius and easier operation and increase the space utilization ratio.
- Tighten mechanism installed at the top of the cover
- Fog light, turning light and braking light improve tractor safety

Uplift Powered Pallet Truck

3,300 lbs Capacity



Features

- Forks of the truck with shape for easy entrance and exit from pallets
- Full length double sided C-shape reinforcements of forks significantly increase strength and rigidity of frame
- Strong steel apron protects the operator's feet during work
- Robust & smart design of chassis to ensure long life-time of the pallet truck
- Capacity up to 1500 kg and ability to overcome ramps up to 4/16% (loaded/unloaded) makes the truck suitable for work in loading docks and on delivery operations in different conditions



Fork Over
Load capacity
25,500 lbs



Heavy Duty Forkover
Load capacity
25,000 lbs



Platform Trucks
Load capacity
to 90,000 lbs



Counterbalance Full Electric Drum Rotator
Load capacity
1,000 lbs



SL XTB 50
Electric Towing Tractor with Swing Arm
Load capacity
6,500 lbs



SL XTB 30
Electric Towing Tractor
Load capacity
6,500 lbs



SL XTB 60
Electric Towing Tractor
Load capacity
13,000 lbs