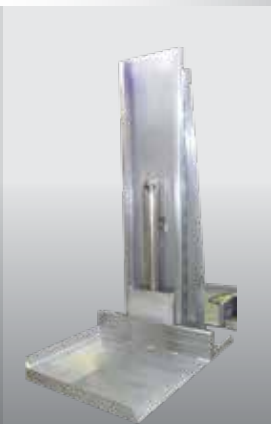
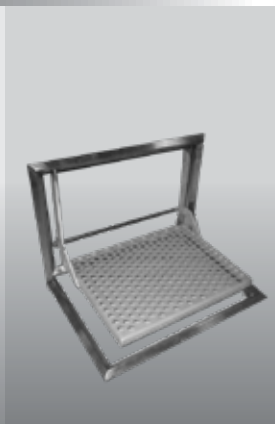




SUPERLIFT
SANITARY LIFTS

EXPERTS IN SANITATION LIFT EQUIPMENT FOR FOOD AND PHARMACEUTICAL COMPANIES



Stainless Steel “E” Low Profile Lift Table



Features

- 304 and 316 Stainless steel
- Can be loaded with a pallet truck
- Wash down motor and Nema 4 controls standard
- Lowered height 4.1 inches
- 3000 lb capacity or 1380 Kg capacity

Options

- Stainless steel motor
- Nema 4X Sloped control panels
- 2200 lb option with stainless cylinders
- 230/460/600 three phase available



Technical data

Model SL SS LP E	
Lowered height	Raised height
4.1 inches	34.1 inches
110 volt power pack	

Stainless Steel Economy Lift Tables



Features

- High quality 304L and 316L stainless steel
- Conforms to En1570 and ANSI/ASME safety standard
- Capacities 150 kg to 1,000 kg
- Safety clearance between scissors to prevent from trapping
- Swivel wheel with protection frame and brake to prevent foot from injury
- Built-in relief valve to fulfil overload protection.
- For use in food and medicine industry



Technical data

Model	SL B SS50 - SINGLE SCISSOR	SL B SS100 - SINGLE SCISSOR
Capacity	500 kg 1,102 lbs	1,000 kg 2,204 lbs
Material	304 Stainless steel	304 Stainless steel
Platform size	828mm x 498mm 32.6" x 19.7"	1,010mm x 520mm 39.75" x 20.5"
Lowered height	330mm 13"	444mm 17.5"
Raised height	950mm 37.4"	950mm 37.4"

Stainless Steel Ergonomic Lift Tables



Features

- Value priced 2,000 and 2,500 lbs capacity
- USDA and CGMP compliant
- North American 304L and 316L stainless steel
- Bolt together design eliminates cracks, crevices and pin holes where bacteria can form and reduced down time
- Sanitary design with full pan base and platform formed to eliminate welds
- Nickel plated or stainless cylinders
- Nema4x hand controls

Options

- 36" and 40" lift heights
- Stainless hydraulic cylinders
- Sanitation package 6" adjustable legs to make floor around lift easier to clean
- Rotating platforms, tilting platforms
- Portable and semi portable
- Polished tig welds
- Safety railing with gates
- Air powered | Self propelled
- Double and triple lifts
- Custom sizes
- Capacities from 500 to 10,000 lbs



Nickel Plated Cylinders



Bolt Together



Delrin Rollers and Bearings



Sanitation Package

30" Lift

Model	Capacity	Platform sizes	Base sizes	Lower Height	Raised Height	Motor HP	Motor weight
SL SS30-20	2,000 lbs	44" x 48"	36" x 48"	8"	38"	1	550lbs
SL SS30-25	2,500 lbs	44" x 48"	36" x 48"	8"	38"	1	625lbs
SL SS30-40	4,000 lbs	44" x 48"	36" x 48"	8"	38"	1.5	775lbs
SL SS30-60	6,000 lbs	44" x 48"	36" x 48"	12"	42"	1.5	975lbs
SL SS30-80	8,000 lbs	44" x 48"	36" x 48"	12"	42"	2	1,250lbs

Stainless Steel Low Profile Lift Tables



Features

- Heavy Duty all welded frames
- Delrin bushings
- Low collapsed height

Options

- Smaller and larger Platforms
- Loading Ramps
- Turn Tables
- Ball Transfer
- Portable Units
- Safety Skirts

30" Lift

Model	Capacity	Platform sizes	Lower Height	Raised Height	Optional Ramp W-L	Shipping weight
SL SLLP 20	2,000 lbs	36" x 48"	3.5"	33"	36" x 30"	700lbs
SL SLLP 40	4,000 lbs	36" x 48"	4.5"	33"	36" x 30"	800lbs



Stainless Steel Pneumatic Lift Tables



Features

- Heavy Duty all welded frames
- Delrin bushings
- Life time guarantee on Firestone Airbags
- Low maintenance
- Easy operation

Options

- Larger Capacities
- Turn Tables
- Safety Skirts
- Larger Platforms
- Ball Transfer
- Tandem Lifts
- Portable Units

24" Lift

Model	Capacity	Platform sizes	Base sizes	Lower Height	Raised Height	Motor weight
SLALT2 3648	2,000 lbs	36" x 48"	36" x 48"	10"	32"	750lbs
SLALT2 4848	2,000 lbs	48" x 48"	36" x 48"	10"	32"	800lbs
SLALT2 5648	2,000 lbs	56" x 48"	36" x 48"	10"	32"	870lbs
SLALT2 6048	2,000 lbs	60" x 48"	36" x 48"	10"	32"	950lbs
SLALT2 4848	4,000 lbs	48" x 48"	48" x 48"	10"	32"	1,000lbs
SLALT2 5648	4,000 lbs	56" x 48"	48" x 48"	10"	32"	1,090lbs
SLALT2 6048	4,000 lbs	60" x 48"	48" x 48"	10"	32"	1,190lbs

Stainless Steel Wash Down Lift Table

Fully welded with stainless steel cylinders



Features

- No crevices and pin holes where bacteria can form and reduced down time
- Sanitary design with stainless cylinders
- Nema4x hand controls wash down powerpack
- Standard finishes from 2B, electro polished and 35 RA

Options

- Raised feet
- Rotating platforms, tilting platforms
- Portable and semi portable



30" Lift

Model	Capacity	Platform sizes	Base sizes	Lower Height	Raised Height	Motor HP	Motor weight
SL SS30-20	2,000 lbs	40" x 48"	40" x 48"	8"	40"	1.5	550lbs
SL SS30-25	6,000 lbs	40" x 48"	40" x 48"	8"	40"	1.5	625lbs
SL SS30-30	10,000 lbs	40" x 48"	40" x 48"	8"	40"	1.5	775lbs

Stainless Steel Double Scissor Lifts

Capacities 500 lbs to 10,000 lbs

Features

- Capacities from 500 lbs to 10,000 lbs
- Lift heights to 144"
- Tube and non tube units available
- Delrin rollers and Delrin bushings
- 100% grade 8 bolts



60" Lift

Model	Capacity	Platform sizes	Base sizes	Lower Height	Raised Height	Up speed	Motor HP	Shipping weight
DSL-SS-60-20	2,000 lbs	30" x 48"	30" x 48"	10"	70"	35 sec	1	1,800lbs
DSL-SS-60-40	4,000 lbs	30" x 48"	30" x 48"	14"	74"	70 sec	1	1,800lbs
DSL-SS-60-60	6,000 lbs	30" x 48"	30" x 48"	16"	76"	90 sec	1	1,800lbs

72" Lift

Model	Capacity	Platform sizes	Base sizes	Lower Height	Raised Height	Up speed	Motor HP	Shipping weight
DSL-SS-72-20	2,000 lbs	30" x 60"	30" x 60"	10"	82"	45 sec	1	2,000lbs
DSL-SS-72-40	4,000 lbs	30" x 60"	30" x 60"	14"	86"	90 sec	1	2,000lbs
DSL-SS-72-60	6,000 lbs	30" x 60"	30" x 60"	16"	88"	110 sec	1	2,000lbs

96" Lift

Model	Capacity	Platform sizes	Base sizes	Lower Height	Raised Height	Up speed	Motor HP	Shipping weight
DSL-SS-96-20	2,000 lbs	48" x 84"	48" x 72"	10"	106"	60 sec	3	3,000lbs
DSL-SS-96-40	4,000 lbs	48" x 84"	48" x 72"	14"	110"	70 sec	3	3,000lbs
DSL-SS-96-60	6,000 lbs	48" x 84"	48" x 72"	16"	70"	60 sec	3	3,000lbs

120" Lift

Model	Capacity	Platform sizes	Base sizes	Lower Height	Raised Height	Up speed	Motor HP	Shipping weight
DSL-SS-120-20	2,000 lbs	48" x 96"	48" x 96"	14"	134"	30 sec	5	3,000lbs
DSL-SS-120-40	4,000 lbs	48" x 96"	48" x 96"	14"	134"	35 sec	5	3,200lbs
DSL-SS-120-60	6,000 lbs	48" x 96"	48" x 96"	16"	134"	35 sec	5	3,800lbs

144" Lift

Model	Capacity	Platform sizes	Base sizes	Lower Height	Raised Height	Up speed	Motor HP	Shipping weight
DSL-SS-144-20	2,000 lbs	54" x 108"	54" x 108"	16"	160"	60 sec	5	3,200lbs
DSL-SS-144-40	4,000 lbs	54" x 108"	54" x 108"	16"	160"	60 sec	5	3,400lbs
DSL-SS-144-60	6,000 lbs	54" x 108"	54" x 108"	18"	162"	60 sec	5	3,550lbs

• Options include rotators, railings and sanitation package

Stainless Steel Uplift Pallet Trucks

Capacity 3,000 lbs to 4,500 lbs



- 3,000 lbs capacity
- 304 L
- 27" x 48" forks
- Lithium battery
- Small profile for clean room and RTE food application

Features

- Manufactured entirely of stainless steel and specially designed for corrosive environments and other applications
- In compliance with high standards of hygiene, such as food processing and pharmaceutical industries

Options

- 316L Stainless steel
- Rider platforms
- Capacities to 10,000 lbs



- Pharma grade 304L or 316L electro polished
- Fully Welded
- No cracks or crevices



- 4,500 lbs capacity
- 304 Stainless steel
- Exceptional value

General data	
Manufacturer's type designation	PTE15N
Drive	Battery
Operator type	Pedestrian
Load capacity/rated load	1.5 T
Load centre distance	23.6"
Load distance centre or drive axle to fork	37.2"
Wheelbase	46.5"
Weight	
Service weight	271lbs 277lbs
Axle loading, laden front/rear	1,102lbs/2,475lbs 1,380lbs/2,204lbs
Axle loading, unladen front/rear	211lbs/59.5lbs 218lbs/59lbs

Pallet truck specifications for 3,300 lbs

Tires, chassis	
Tires	Polyurethane (PU)
Tires size front	8.2" x 2.7"
Tires size rear	3.1"x 3.6" (optional tandem 3.1" x 2.7")
Additional wheels (dimensions)	-/3.1"x 1.2"
Wheel number front/rear	1x / 2 (1x/4) or 1x +2/2 (1x+ 2/4)
Tread front	-/420
Tread rear	15" 20.6"

Dimensions	
Lift	4.5"
Height of tiller in drive position min./max.	27.5"/6.2"
Height, lowered	3.14"
Overall length	60.2"
Length to face of forks	12"
Overall width	21.1" 27"
Fork dimensions	1.8"/6.2"/45.2"
Distance between fork-arms	21.1" 27"
Ground clearance, centre of wheelbase	1.2"
Aisle width for pallets lengthways safe distance	78.7"
Turning radius	52.3"

Performance data	
Travel speed, laden/unladen	4.6/4.8 km/h
Lift speed, laden/unladen	0.020/0.025 m/s
Lowering speed, laden/unladen	0.05/0.04 m/s
Max. gradeability, laden/unladen	4/16%
Service brake	Electromagnetic

Electric-specifications	
Drive motor rating S2 60 min	0.65 kW
Lift motor rating at S3 10%	0.50 kW
Battery acc to DIN 43531/35/36A, B, C, no	No
Battery voltage, nominal capacity K5	24V/20 (optional: 24V/30, 24V/36)
Battery weight	10lbs
Energy consumption acc to VDI cycle	0.18 kWh/h

Stainless Steel Triple Scissors Lift Tables

Capacities 1,000 lbs to 10,000 lbs



Features

- Raise up to 10,000 lbs of men and material to heights of 216"
- Fits heavy loads in small footprint and will go where no other heavy equipment can travel
- Stationary manlifts or as mezzanine lifts for your facility
- Quad lifts as well as stainless steel models for clean rooms

Options

- Standard and polished finishes
- Clean room compliant
- Epoxy coated and galvanized available
- Painted mild steel also available
- Stainless steel enclosures and mezzanines are available

72" Lift

Model	Capacity	Platform sizes	Base sizes	Lower Height	Raised Height
TSL 72-10	2,000 lbs	36" x 42"	36" x 42"	20"	92"
TSL 72-20	2,000 lbs	36" x 42"	36" x 42"	20"	92"
TSL 72-30	3,000 lbs	36" x 42"	36" x 42"	20"	92"
TSL 72-60	6,000 lbs	36" x 42"	36" x 42"	20"	92"
TSL 72-100	10,000 lbs	36" x 42"	36" x 42"	24"	96"

96" Lift

Model	Capacity	Platform sizes	Base sizes	Lower Height	Raised Height
TSL 96-30	3,000 lbs	36" x 48"	36" x 48"	15"	116"
TSL 96-60	6,000 lbs	36" x 48"	36" x 48"	18"	116"
TSL 96-100	10,000 lbs	36" x 72"	36" x 72"	24"	116"

120" Lift

Model	Capacity	Platform sizes	Base sizes	Lower Height	Raised Height
TSL 120-30	3,000 lbs	36" x 60"	36" x 60"	20"	135"
TSL 120-60	6,000 lbs	36" x 60"	36" x 60"	20"	135"
TSL 120-100	10,000 lbs	36" x 72"	36" x 72"	24"	135"

144" Lift

Model	Capacity	Platform sizes	Base sizes	Lower Height	Raised Height
TSL 144-30	3,000 lbs	48" x 72"	48" x 72"	20"	160"
TSL 144-60	6,000 lbs	48" x 72"	48" x 72"	22"	160"
TSL 144-100	10,000 lbs	48" x 72"	48" x 72"	24"	160"

180" Lift

Model	Capacity	Platform sizes	Base sizes	Lower Height	Raised Height
TSL 180-30	3,000 lbs	60" x 96"	60" x 96"	24"	200"
TSL 180-60	6,000 lbs	60" x 96"	60" x 96"	30"	200"
TSL 180-100	10,000 lbs	60" x 96"	60" x 96"	30"	200"

216" Lift

Model	Capacity	Platform sizes	Base sizes	Lower Height	Raised Height
TSL 216-30	3,000 lbs	60" x 120"	60" x 120"	30"	240"
TSL 216-60	6,000 lbs	60" x 120"	60" x 120"	40"	240"
TSL 216-100	10,000 lbs	60" x 120"	60" x 120"	40"	240"

Stainless Steel Self Adjusting Lift Tables



Features

- Solid formed platform and base frame eliminating cracks and crevices
- Bolt together designs eliminating pinholes in welds and potential holes where bacteria can hide
- Delrin rollers and delrin bushings and bearings eliminating rust from teflon bushings and steel bearings leaking into your process
- Optional sanitation package that keeps your lift off the floor, making it simpler to clean your facility
- Air eliminates springs that will rust and crack and eventually fail
- Self adjusting and operator adjusted designs for the best ergonomic options
- Large rotator rollers for improved ergonomics

Options

- Stainless feet
- Fork pockets
- Stainless Bellows
- Clean room Bellows
- Fixed platform
- Rectangular platform



Sanitation Package

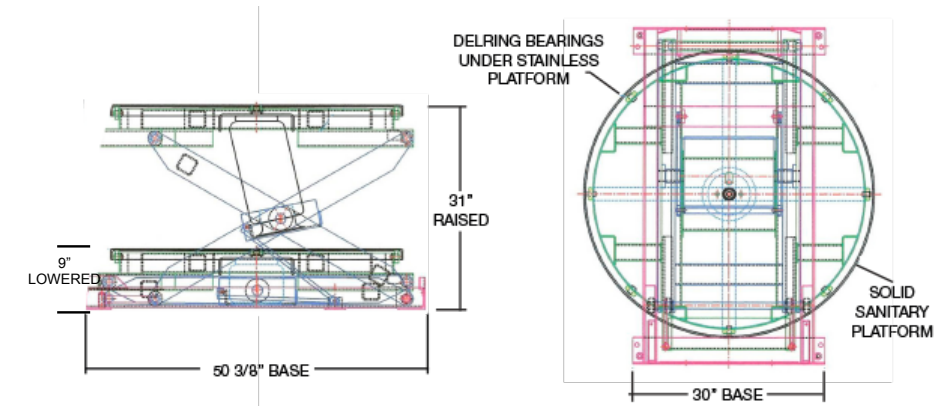


Delrin Rollers and Bearings



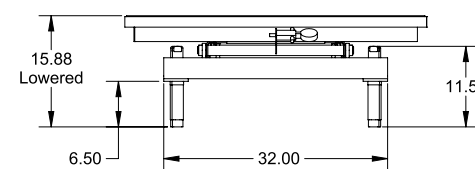
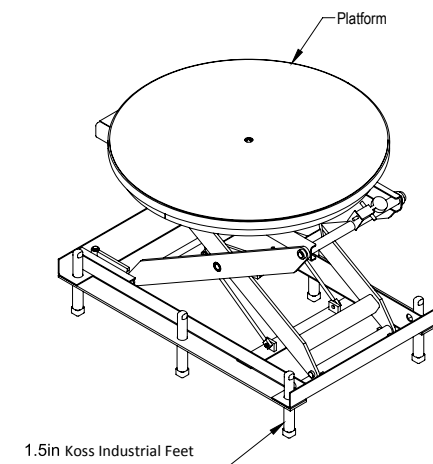
Bolt Together

Standard



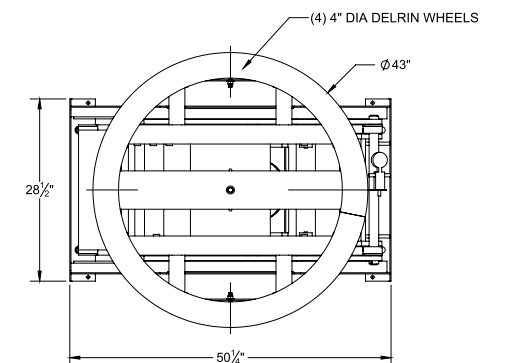
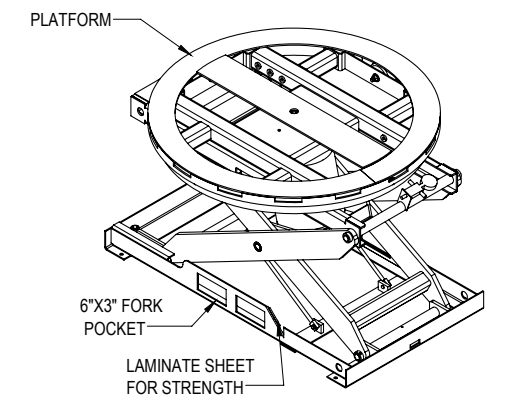
Option 1

Adjustable feet



Option 2

Open platform | Side fork pockets



Stainless Steel Single & Double Portable Lift Tables

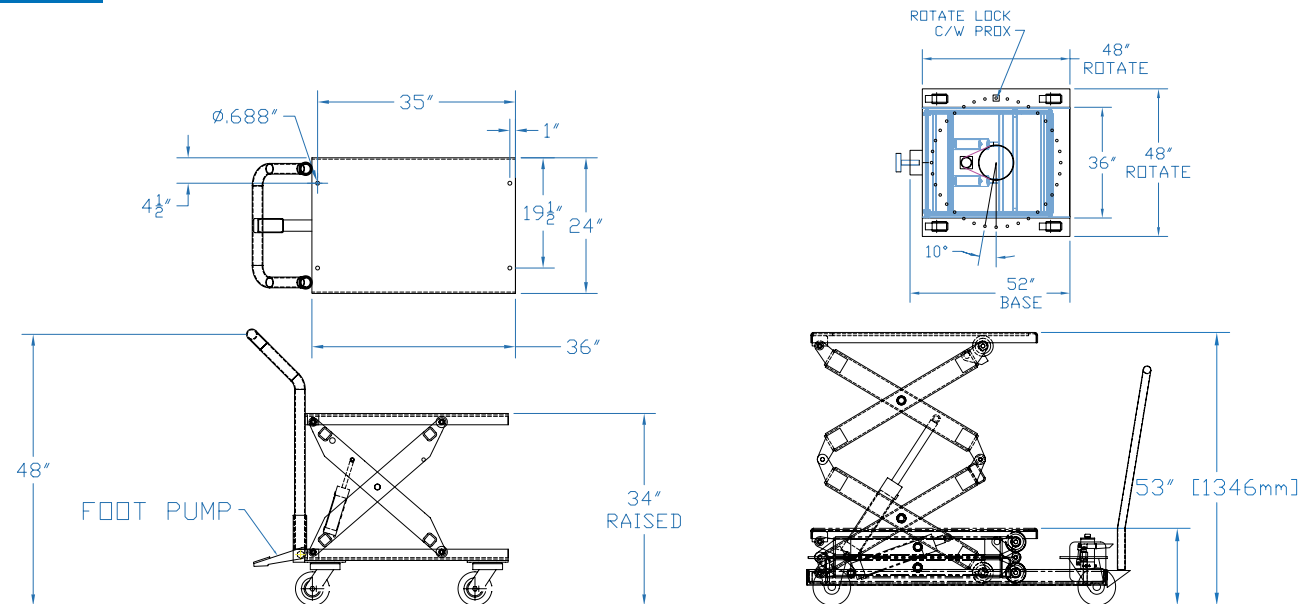


Features

- High quality 304L and 316L stainless steel
- Foot pump and powered lift available
- Delrin rollers and bushings
- Battery powered, air powered and A/C powered
- Platform sizes to 48" x 72" (1,200mm x 1,600 mm)
- Lift heights to 78" high
- Nickel plated and stainless and washdown pumps



Drawings



Foot Pump Models

Model	Capacity	Lowered lift	Raised height	Platform size	Lower Height
SL SS34-05	500 lbs	16"	34"	24" x 36"	36" x 48"
SL SS34-10	1,000 lbs	16"	34"	24" x 36"	36" x 48"

Double Foot Pump Models

Model	Capacity	Lowered lift	Raised height	Platform size	Lower Height
SL SSD54-05	500 lbs	18"	72"	24" x 36"	36" x 48"
SL SSD54-10	1,000 lbs	18"	72"	24" x 36"	36" x 48"

Powered Models

Model	Capacity	Lowered lift	Raised height	Platform size	Lower Height
SL SSP34-05	500 lbs	16"	34"	24" x 36"	48" x 60"
SL SSP34-10	1,000 lbs	16"	34"	24" x 36"	48" x 60"
SL SSP34-15	1,500 lbs	16"	34"	24" x 36"	48" x 60"
SL SSP34-20	2,000 lbs	16"	34"	24" x 36"	48" x 60"

Double Powered Models

Model	Capacity	Lowered lift	Raised height	Platform size	Lower Height
SL SSP60-05	500 lbs	18"	78"	36" x 48"	60" x 72"
SL SSP60-10	1,000 lbs	18"	78"	36" x 48"	60" x 72"
SL SSP60-15	1,500 lbs	18"	78"	36" x 48"	60" x 72"
SL SSP60-20	2,000 lbs	18"	78"	36" x 48"	60" x 72"
SL SSP60-30	3,000 lbs	18"	78"	36" x 48"	60" x 72"
SL SSP60-40	4,000 lbs	18"	78"	36" x 48"	60" x 72"

Stainless Steel Ground Level Scissor Lifts



Features

- Life time no lubrication
- Formed Platform
- Rugged welded frames
- Overload Protection with built in pressure relief valves
- Delrin rollers
- North American Components

Options

- Conveyor
- Ball Transfer
- Safety Skirts
- Photo Eyes
- Tilts
- Low Profile
- Galvanized
- Custom Paint
- Custom Sizes



Flow through platforms available

32" Lift

Model	Capacity	Platform sizes	Base sizes	Lower height	Raised height	Shipping weight
SL SLGL 32-20	2,000 lbs	44" x 48"	63" x 54"	3/8"	32"	1,400 lbs
SL SLGL 32-201	2,000 lbs	48" x 48"	67" x 54"	3/8"	32"	1,600 lbs
SL SLGL 32-40	4,000 lbs	42" x 48"	63" x 54"	1/2"	32"	1,410 lbs
SL SLGL 32-401	4,000 lbs	48" x 48"	67" x 54"	1/2"	32"	1,650 lbs
SL SLGL 32-60	6,000 lbs	48" x 48"	63" x 54"	1/2"	32"	1,750 lbs
SL SLGL 32-601	6,000 lbs	48" x 48"	67" x 54"	1/2"	32"	1,850 lbs
SL SLGL 32-60	8,000 lbs	48" x 48"	72" x 54"	1/2"	32"	2,300"
SL SLGL 32-601	8,000 lbs	48" x 48"	72" x 54"	1/2"	32"	2,600"

Stainless Steel Spring Actuated Level Loader



Features

- The best way to save workers backs
- Automatically keeps pallet or stillage loads at an optimum working height when loading or unloading goods
- Dramatically reduces the effort required to palletise goods
- Built-in turntable allows simple load rotation and access to all sides

MODEL SPP360-2000		
Capacity	4,500 lbs	2,000 kg
Platform diameter	43.75"	1,100 mm
Minimum platform height	9"	230 mm
Maximum platform height	27.75"	706 mm
Base size	36" x 36.75"	915mm x 934mm



Stainless Steel High Lift Scissor Truck Electric



Features

- World class quality and performance
- For use in meat and other food industry, dairy canning and all areas where corrosive acids and saline solutions are used
- Single stage cylinder
- No decrease of capacity
- No risk of leakage
- No dangerous dropping of second stage cylinder
- With built-in charger or built-out charger on customer's request
- Custom Paint
- Custom Sizes

	ACS154M	ACS1068M	ACS1554M	ACS1558M
Type	Electric	Electric	Electric	Electric
Rated Capacity	1,000kg 2,204lb	1,000kg 2,204lb	1,500kg 3,306lb	1,500kg 3,306lb
Max. Fork Height	800mm 315"	800mm 315"	800mm 315"	800mm 315"
Min. Fork Height	85 ± 2mm 33.5" ± 0.75"	85 ± 2mm 33.5" ± 0.75"	85 ± 2mm 33.5" ± 0.75"	85 ± 2mm 33.5" ± 0.75"
Size of Fork	160mm x 50mm 63" x 19.6"	160mm x 50mm 63" x 19.6"	160mm x 50mm 63" x 19.6"	160mm x 50mm 63" x 19.6"
Width Overall Fork	540mm 21"	680mm 26.7"	540mm 21"	680mm 26.7"
Length of Fork	1150mm 452.7"	1150mm 452.7"	1150mm 452.7"	1150mm 452.7"
Fork Roller	80mm x 70mm 31.4" x 27.5"	80mm x 70mm 31.4" x 27.5"	80mm x 70mm 31.4" x 27.5"	80mm x 70mm 31.4" x 27.5"
Steering Wheel	180mm x 50mm 70.8" x 19.6"	180mm x 50mm 70.8" x 19.6"	180mm x 50mm 70.8" x 19.6"	180mm x 50mm 70.8" x 19.6"
Battery	12V/60AH	12V/60AH	12V/60AH	12V/60AH
Lifting Motor	0.8 KW	0.8 KW	0.8 KW	0.8 KW
Net Weight	155kg 341lb	160kg 352lb	160kg 352lb	165kg 286.6lb

Stainless Steel High Lift Scissor Truck Manual



Features

- World class quality and performance
- For using in meat and other food industry, dairy canning and all areas where corrosive acids and saline solutions are used
- Single stage cylinder
- No decrease of capacity
- No risk of leakage
- No dangerous dropping of second stage cylinder

	ACS154M	ACS1068M	ACS1554M	ACS1558M
Type	Manual	Manual	Manual	Manual
Rated Capacity	1,000kg 2,204lb	1,000kg 2,204lb	1,500kg 3,306lb	1,500kg 3,306lb
Max. Fork Height	800mm 315"	800mm 315"	800mm 315"	800mm 315"
Min. Fork Height	85 ± 2mm 33.5" ± 0.75"	85 ± 2mm 33.5" ± 0.75"	85 ± 2mm 33.5" ± 0.75"	85 ± 2mm 33.5" ± 0.75"
Size of Fork	160mm x 50mm 63" x 19.6"	160mm x 50mm 63" x 19.6"	160mm x 50mm 63" x 19.6"	160mm x 50mm 63" x 19.6"
Width Overall Fork	540mm 21"	680mm 26.7"	540mm 21"	680mm 26.7"
Length of Fork	1150mm 452.7"	1150mm 452.7"	1150mm 452.7"	1150mm 452.7"
Fork Roller	80mm x 70mm 31.4" x 27.5"	80mm x 70mm 31.4" x 27.5"	80mm x 70mm 31.4" x 27.5"	80mm x 70mm 31.4" x 27.5"
Steering Wheel	180mm x 50mm 70.8" x 19.6"	180mm x 50mm 70.8" x 19.6"	180mm x 50mm 70.8" x 19.6"	180mm x 50mm 70.8" x 19.6"
Net Weight	120kg 264lb	125kg 275lb	125kg 275lb	130kg 286.6lb

Stainless Steel Custom Manual Pallet Truck



Features

- 304L and 316L Stainless Steel
- Up to 4,000 lb capacity
- Wider forks to 36" wide
- Longer forks to 96" long
- Narrow or wider forks
- North American Stainless



Stainless Steel Pharmaceutical Grade Pallet Truck



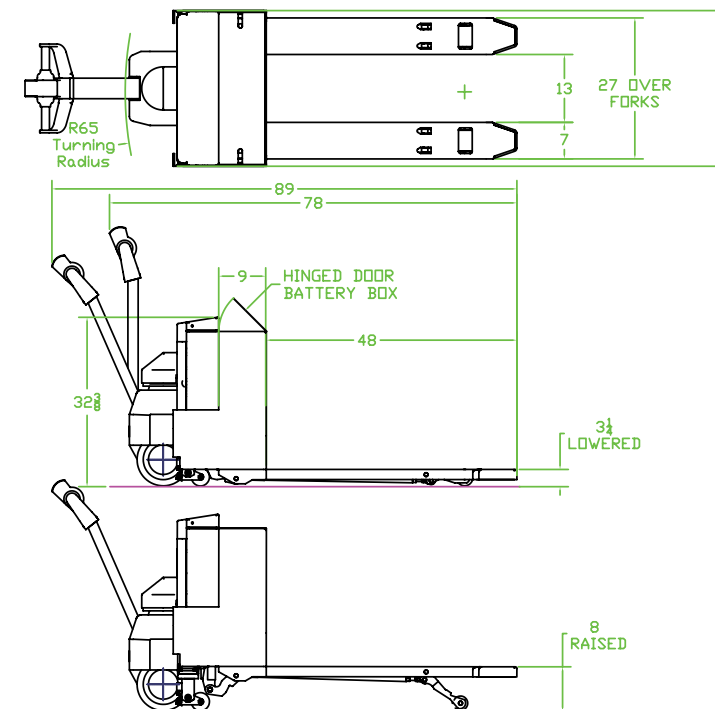
Features

- 100% Stainless steel frame carriage, forks and undercarriage
- Available in 304L and 316L stainless steel
- Capacities 500 to 10,000
- Finishes 2B, electro polished and 35 RA
- Clean room compliant
- For Food, pharmaceutical, chemical and other demanding application
- Custom fork for lengths and widths
- cGMP Models available
- 24 Volt E and EE ratings galvanized, powder coated and epoxy steel it painted models available

Options

- Stainless steel Platform trucks to 6,000 capacity
- Available in lift heights to 36"
- Custom sizes to 10,000 lbs capacity

Drawings



Stainless Steel Straddle Stacker



Features

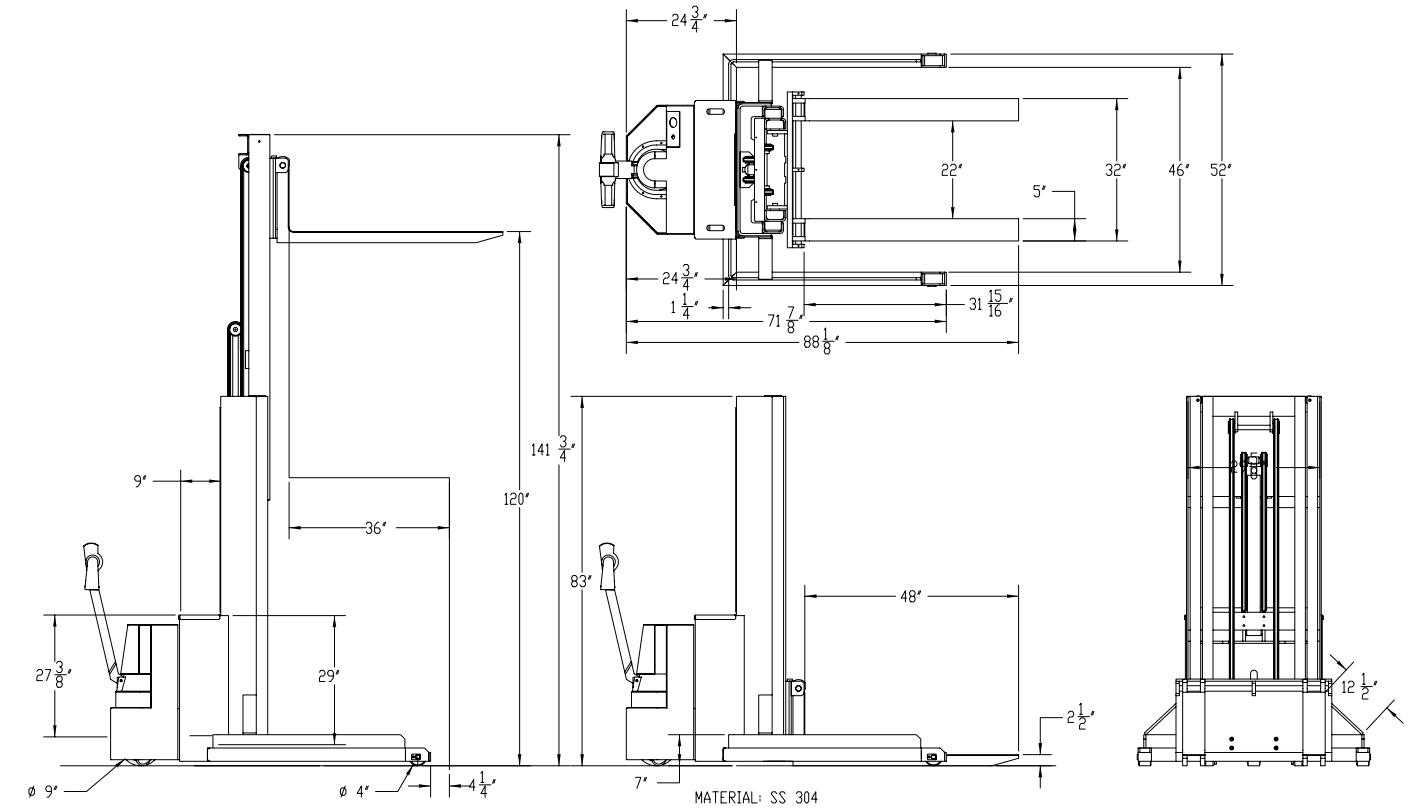
- 100% Stainless steel frame carriage, forks and undercarriage
- Available in 304L and 316L stainless steel
- Capacities 500 to 5,000 lbs
- Finishes 2B, electro polished and 35 RA
- Clean room compliant
- For Food, pharmaceutical, chemical and other washdown applications
- Custom fork sizes
- cGMP Models available
- Lift heights to 189 inches
- Custom designs
- UL and CE approved

Options

- cGMP
- Epoxy coatings, galvanized, nickel plated and linex coatings available
- Rider platforms
- Horizontal travel models
- Straddle trucks, counterbalance fork over and walkie reach trucks are all available



Drawings



Technical data

Model	Capacity	Voltage	Height	Outrigger
SL SS 10	1,000 lbs	24 V AC	36" x 154"	34" x 54"
SL SS 20	2,000 lbs	24 V AC	36" x 154"	34" x 54"
SL SS 25	2,500 lbs	24 V AC	36" x 154"	34" x 54"
SL SS 30	3,000 lbs	24 V AC	36" x 154"	34" x 54"

Stainless Steel Counterbalance Stacker



Features

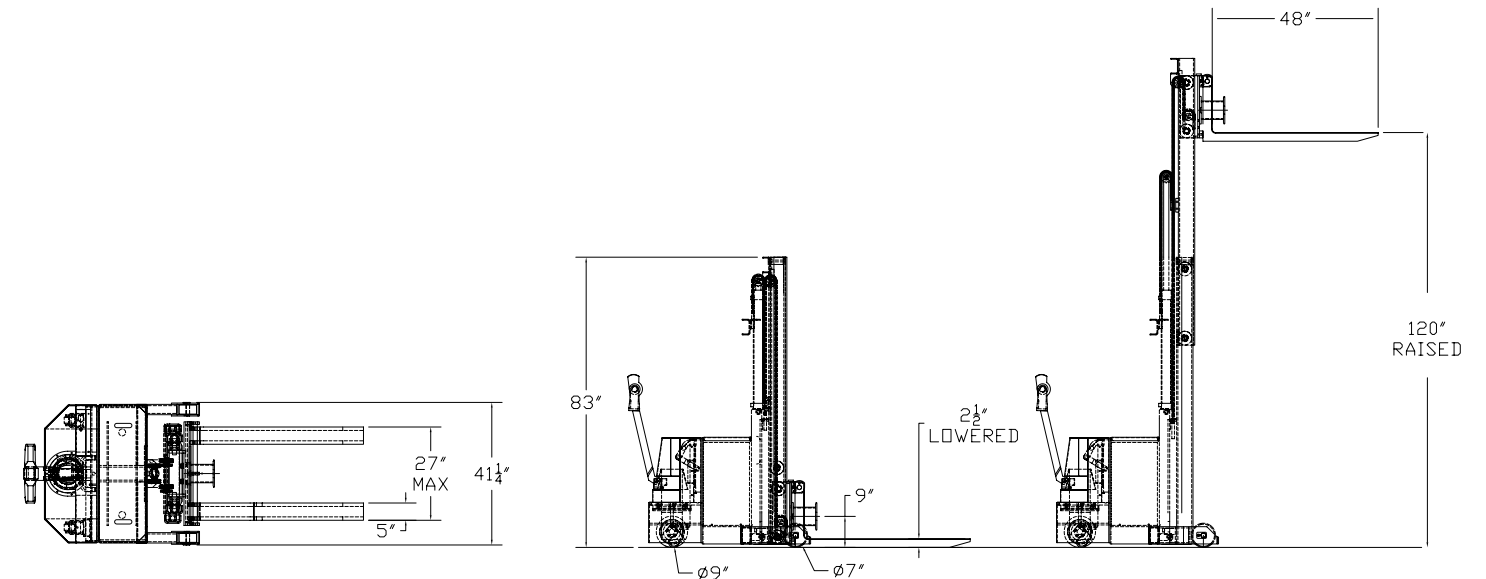
- 100% Stainless steel frame carriage, forks and undercarriage
- Available in 304L and 316L stainless steel
- Capacities 500 to 5,000 lbs
- Finishes 2B, electro polished and 35 RA
- Clean room compliant
- For Food, pharmaceutical, chemical and other washdown applications
- Custom fork sizes
- cGMP Models available
- Lift heights to 189 inches
- Custom designs

Options

- cGMP
- Epoxy coatings, galvanized, nickel plated and linex coatings available
- Rider platforms
- Horizontal travel models
- Straddle trucks, counterbalance fork over and walkie reach trucks are all available



Drawings



Technical data

Model	Capacity	Voltage	Height	Fork
SL SS WCB 10	1,000 lbs	24 V	36" x 154"	
SL SS WCB 10	2,000 lbs	24 V	36" x 154"	36"-72" long
SL SS WCB 10	2,500 lbs	24 V	36" x 154"	12"-48" wide
SL SS WCB 10	3,000 lbs	24 V	36" x 154"	

Stainless Steel Pallet Jack

Capacities 5,500 lbs

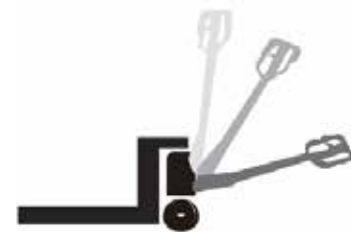


Features

- Hydraulic pump with quality German design and a foot release pedal for ease of operation
- Steering and rollers: features a 180° pivot action handle, helper rollers, and ball thrust steering for greater manoeuvrability
- Adjustable push rods allow for individual adjustment capability at either fork height
- Forks are rounded one-piece heavy gauge steel construction with reinforced tapered ends allows for easy pallet entry and unbeatable durability
- 12 Grease fittings allow easy maintenance for years of trouble-free service
- Rugged heavy-duty frame constructed of one-piece formed channel steel offers incredible strength, with the selection of powder coated, galvanized, or stainless steel finishes to suit any application

Specifications

Load capacity	5,500lbs
Drive / Operation type	Manual
Steering wheel	Φ7.9"
Fork length	36" / 42" / 48"
Overall fork width	20.5" / 27"
Raised fork height	7.8"
Lowered fork height	2.9"
Total height	48.2"
Handle Fulcrum	16.6"
Aisle width, 39"x47" crosswise	66" / 68" / 71"
Aisle width, 32"x47" lengthwise	70" / 70" / 71"
Turning radius	48" / 50" / 53"
Service weight	139"-165"



3 position handle for safe & easy use

- Upright position lowers the load with dampened hydraulics & handle springs back to the upright position,
- Neutral position for moving loads with a 180° swivel, allowing for exceptional manoeuvrability in tight spaces.
- Lowered position raises loads to 5,500lbs up to 11", with options for quick raising.

Stainless Steel Movable Mast Reach Truck

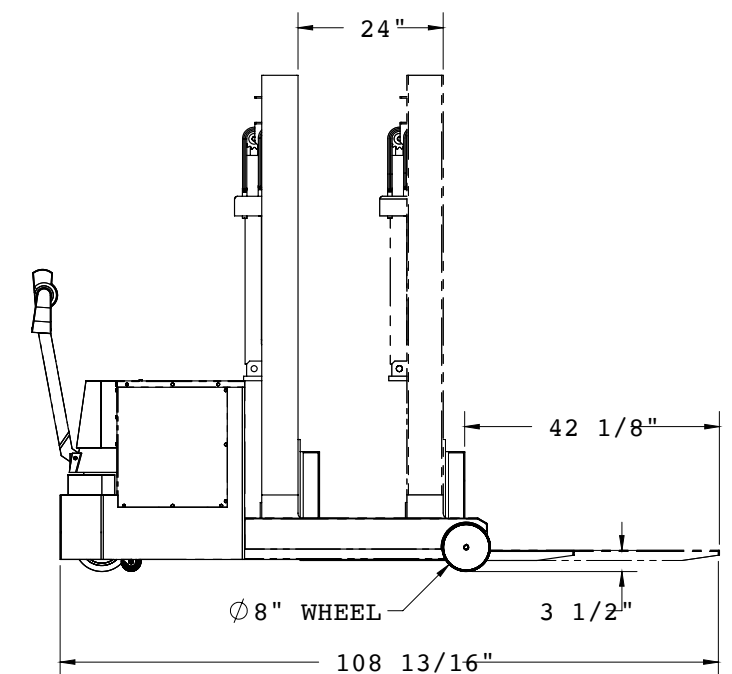
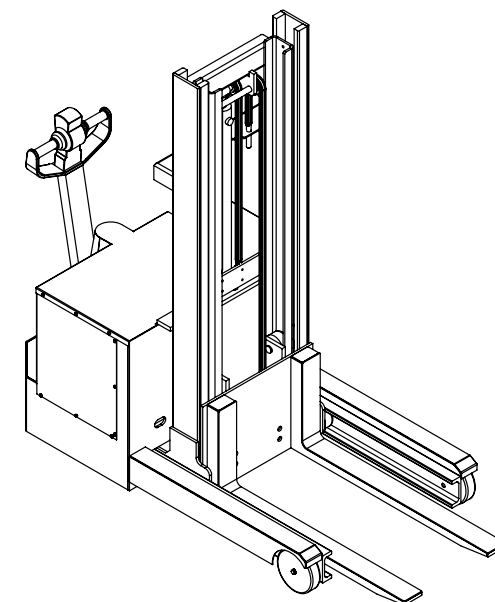


Features

- Movable Mast European Style
- Pantogram Scissor Style from North America
- 1,000 to 3,000 lbs capacity
- A/C Drives
- 304L or 316L Stainless Steel
- T.G. Welded Fully Welded



Drawings



Stainless Steel Push Stacker



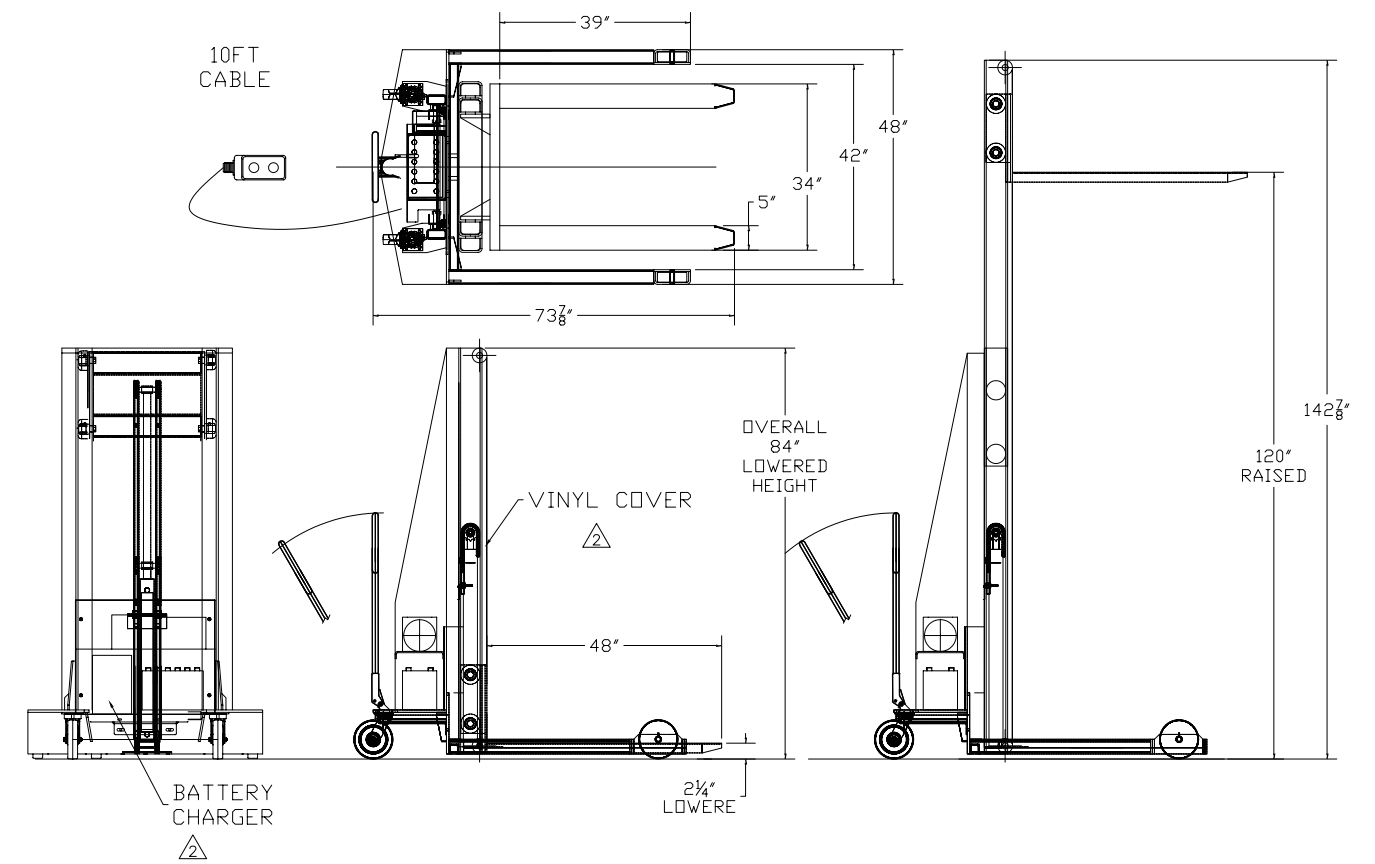
Features

- 100% Stainless steel frame carriage, forks and undercarriage
- Available in 304L and 316L stainless steel
- Capacities 500 to 2,500 lbs
- Finishes 2B, electro polished and 35 RA
- Clean room compliant
- For Food, pharmaceutical,
- Custom fork sizes
- cGMP Models available
- Lift heights to 189 inches
- Custom designs
- UL and CE approved chemical and other washdown applications

Technical data

Model	Capacity	Voltage	Height	Fork
SL SS WFO 10	1,000 lbs	24 V	20" - 120"	
SL SS WFO 20	2,000 lbs	24 V	20" - 120"	36"-72" long
SL SS WFO 25	2,500 lbs	24 V	20" - 120"	non adjustable
SL SS WFO 30	3,000 lbs	24 V	20" - 120"	

Drawings



Stainless Steel Reach Truck



Features

- Up to 3,000 lbs capacity
- 304L Stainless steel
- 24" reach mechanism
- Tilting forks

Options

- 316L Stainless steel
- Rider platforms



The speed control provides fingertip control for driving the truck



Stainless Steel Walkie Stacker with Drum Lift



Features

- 1,000 capacity
- 304 Stainless steel
- Powered grip



Stainless Steel Walkie Fork Over Stacker

Up to 4,000 lbs



Features

- 100% Stainless steel frame carriage, forks and undercarriage
- Available in 304L and 316L stainless steel
- Capacities 500 to 4,000 lbs
- Finishes 2B, electro polished and 35 RA
- Clean room compliant
- For Food, pharmaceutical, chemical and other washdown applications
- Custom fork sizes
- cGMP Models available
- Lift heights to 189 inches
- Custom designs

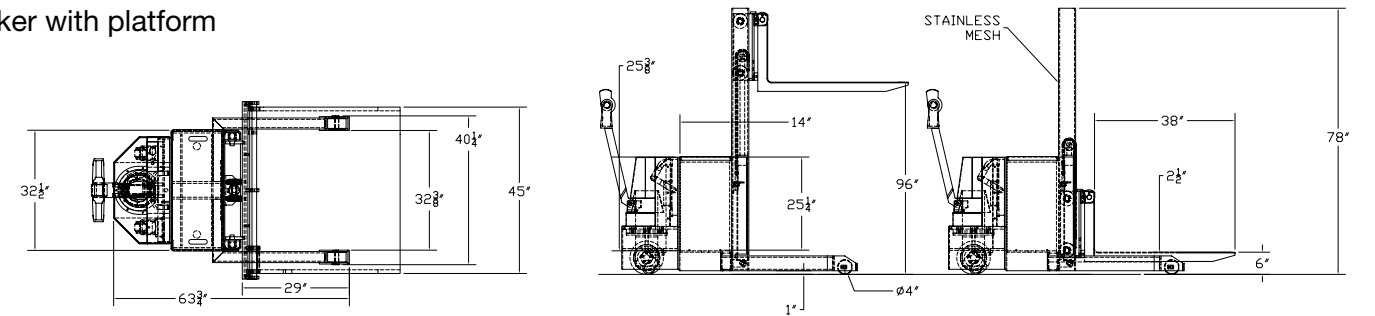
Options

- cGMP
- Epoxy coatings, galvanized, nickel plated and linex coatings available
- Rider platforms
- Straddle trucks, counterbalance fork over and walkie reach trucks are all available
- Tight turning models for small clean rooms platforms

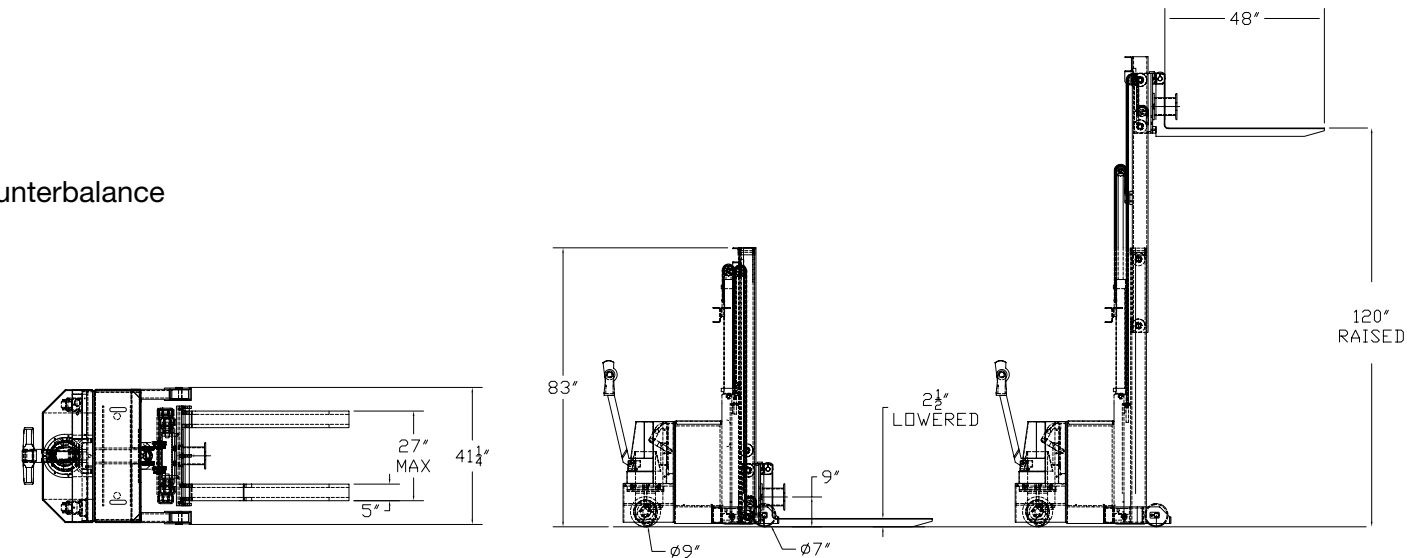


Drawings

Stacker with platform



Counterbalance



Stainless Steel Tight Turning Stacker

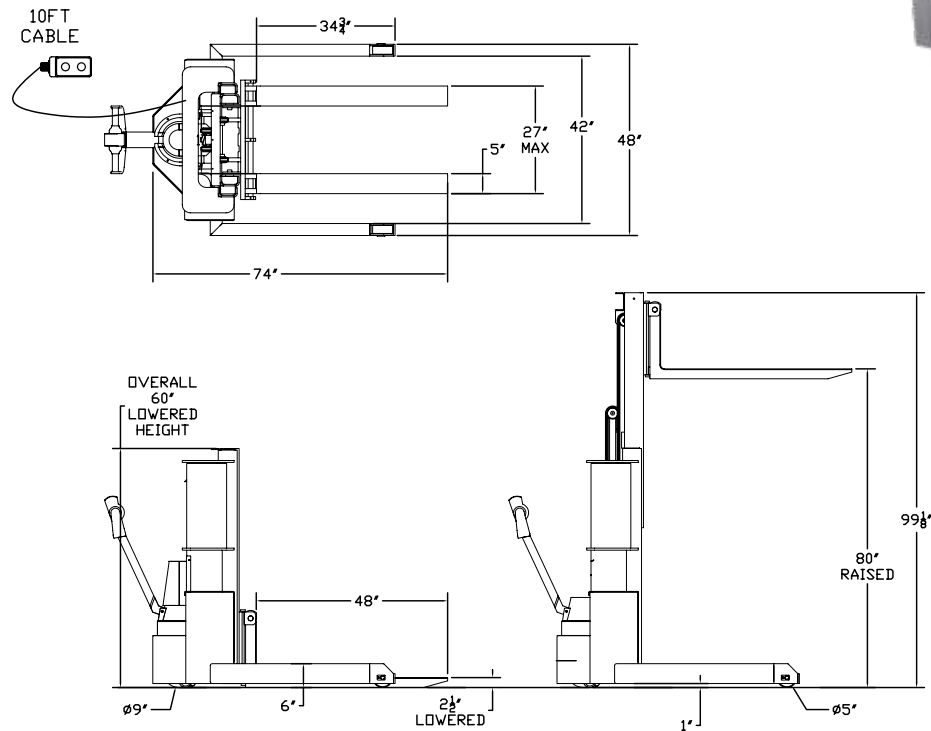


Features

- Heavy capacity for lifting IBC's and other ingredients pallets with the smallest footprint available.
- 3,000 lbs capacity
- Built in charger
- 304L and 316L stainless
- 83" lowered mast height with lift height to 144"
- Single, double and triple mast



Drawings

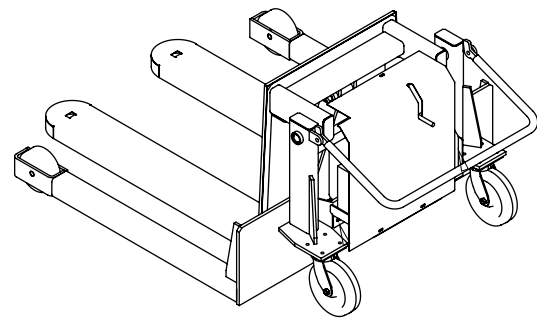


Stainless Steel Portable Tote Tilter & Straddle Tote Tilter



Features

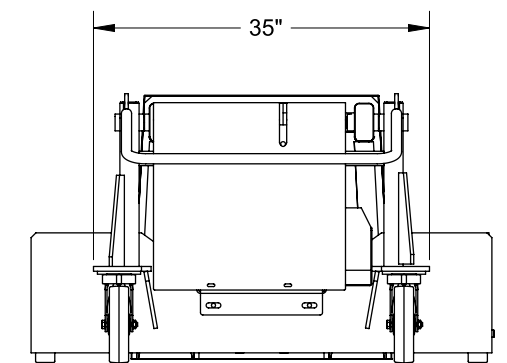
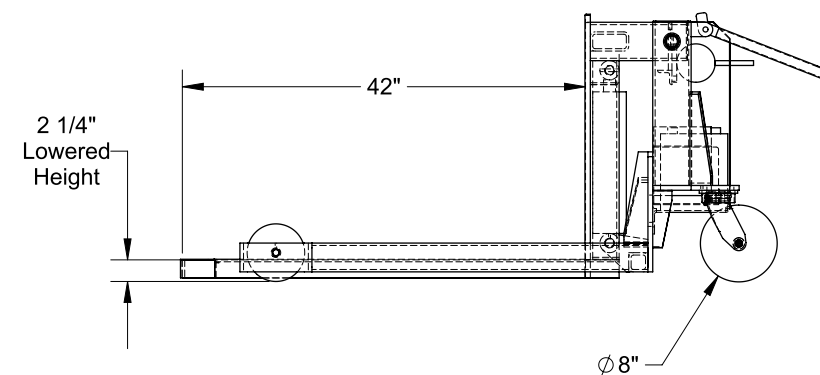
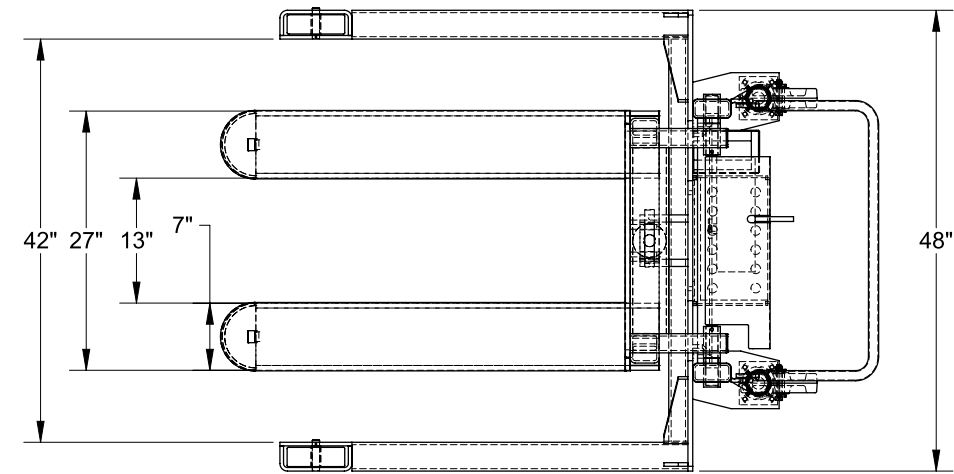
- 304L and 316L Stainless Steel or Epoxy finished
- Up to 90 degrees of tilt angle
- Straddle and fork over styles available
- 2,500lbs capacity
- Ergonomics height of 32" to bottom of tote 110 V and 24 V DC



Specifications

Capacity	2,500 lbs
Construction	Stainless Steel
Lowered height	6.5"
Dump height	34" to 48"
Forks	6" wide x 25" long 15" between forks
Power pack	24 volt DC with hand controls
Tilt angle	85°
Paint	White epoxy

Drawings



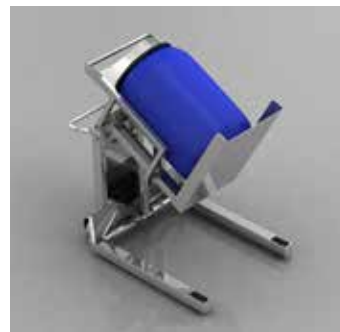
Stainless Steel Portable Tipper/Dumpers

Sanitary Design



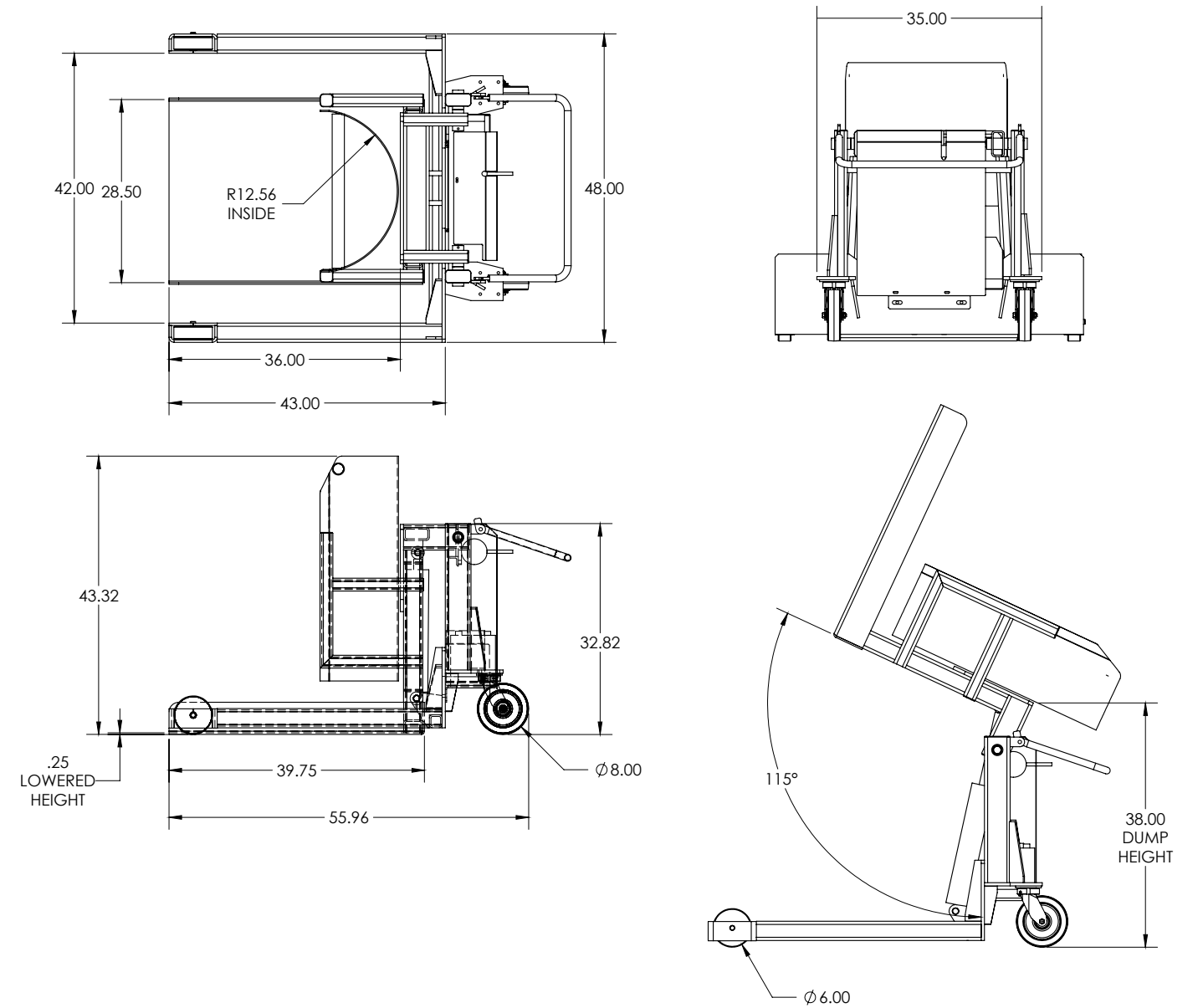
Features

- 38", 48" and 60" tipping height
- Up to 115 degree tipping angle
- 1,000 lbs capacity
- Stainless Steel



- Tote tilers
- Drum tilers
- IBC tilers

Drawings



Stainless Steel Pneumatic Tilter



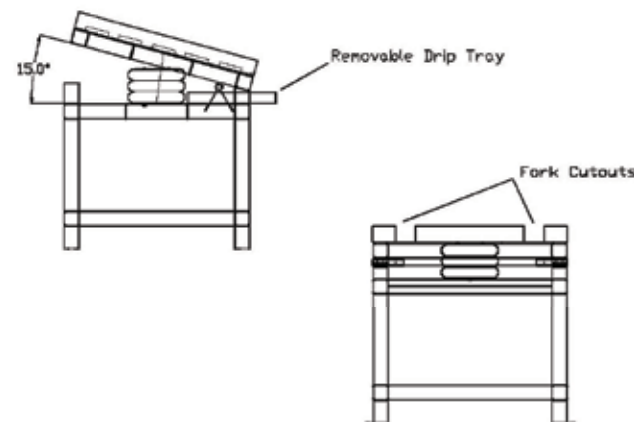
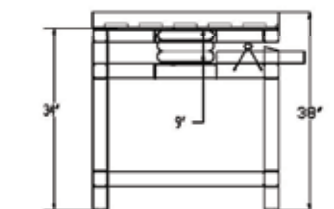
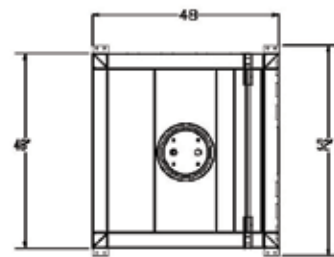
Features

- 100% Stainless steel frame
- Available in 304L and 316L stainless steel
- Capacities 500 to 5,000 lbs
- Finishes 2B, electro polished and 35 RA
- Clean room compliant
- For Food, pharmaceutical, and other washdown applications
- Floor mounted or stand mounted
- cGMP Models available
- Custom designs
- UL and CE approved
- Air bag powered

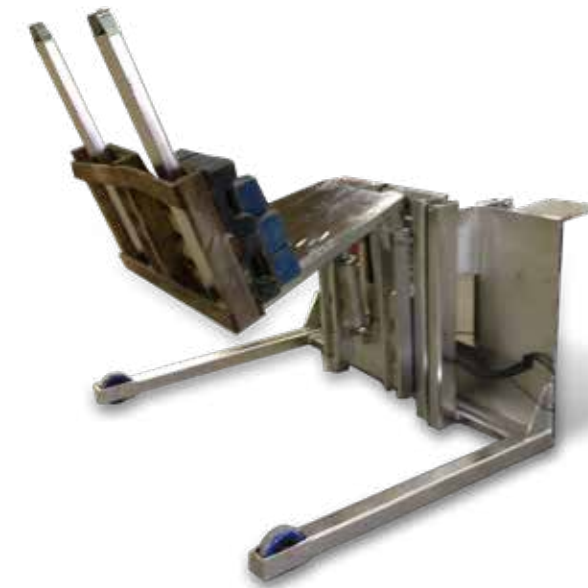
Options

- cGMP
- Epoxy coatings, galvanized, nickel plated and linexcoatings available
- Rider platforms
- Horizontal travel models
- Straddle trucks, counterbalance fork over and walkie reach trucks are all available

Drawings



Stainless Steel IBC Lift & Tilt Ergo Positioner

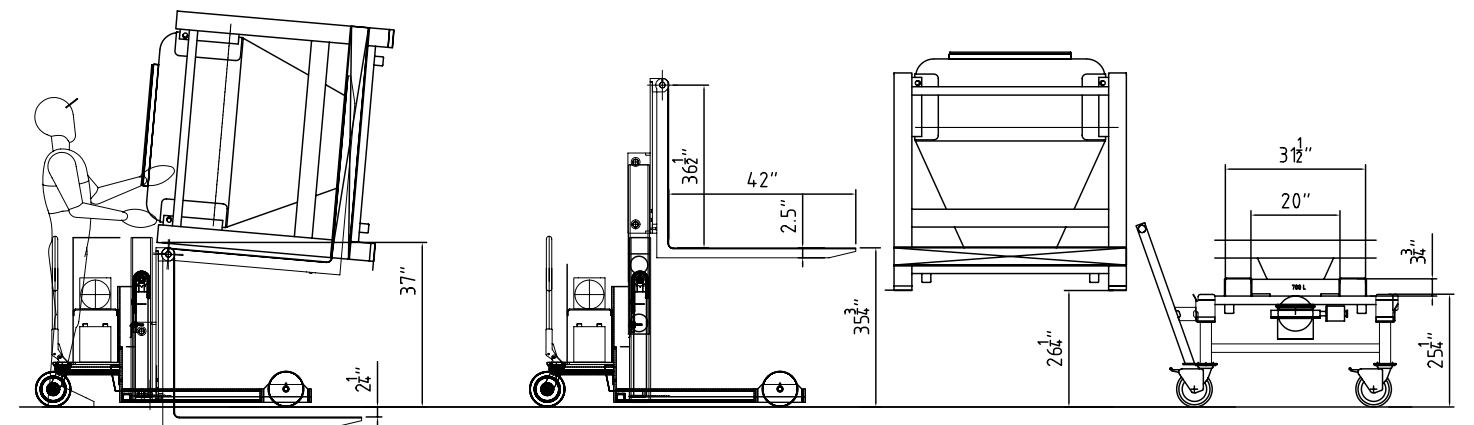


Features

- Stainless steel construction and lift heights to 144"
- Ensures the IBC is in the perfect position for maintenance and cleaning
- Portable push around or portable power driven
- Made in North America
- 100% Stainless steel 304L and 316L
- Available in painted, galvanized and steel it paint
- 24 volt DC powered



Drawings



Stainless Steel High Point Tilter

1,000/2,000/4,000 lbs



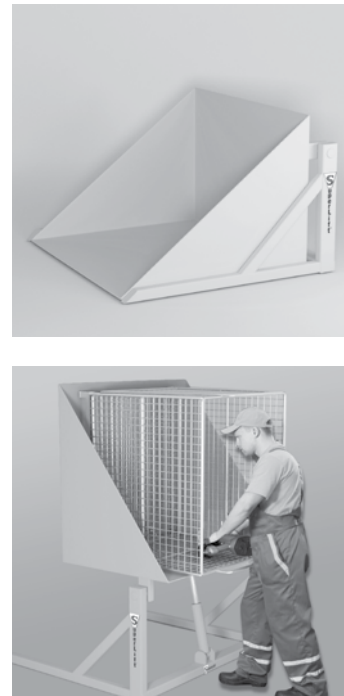
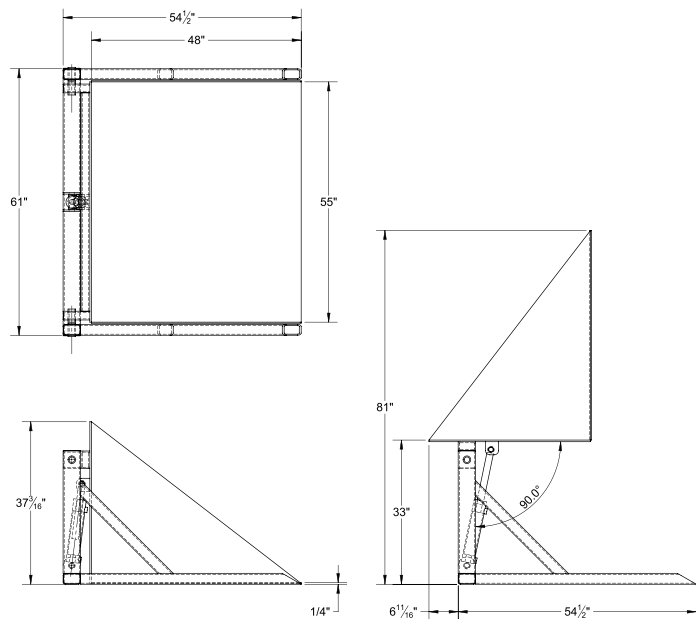
Features

- Ground level loading with pallet truck up to 90 degree tilt angle at 33 inches
- 30 inch reach max in tilted position to end of back plate
- Air/Hydraulic (standard)
- Foot Pedal Standard (hand control optional)
- A/C 110/1/60 volt (standard) Hand or foot control
- A/C 460/575/3/60 vol (optional) Hand or foot control

Options

- Photo Eyes
- Safety Skirts
- Increase/restrict tilt angle
- Full plated platform
- Increase/reduce platform size
- Semi-portable c/w dolly handle

Drawings



Stainless Steel Sanitary Ground Level Tilter



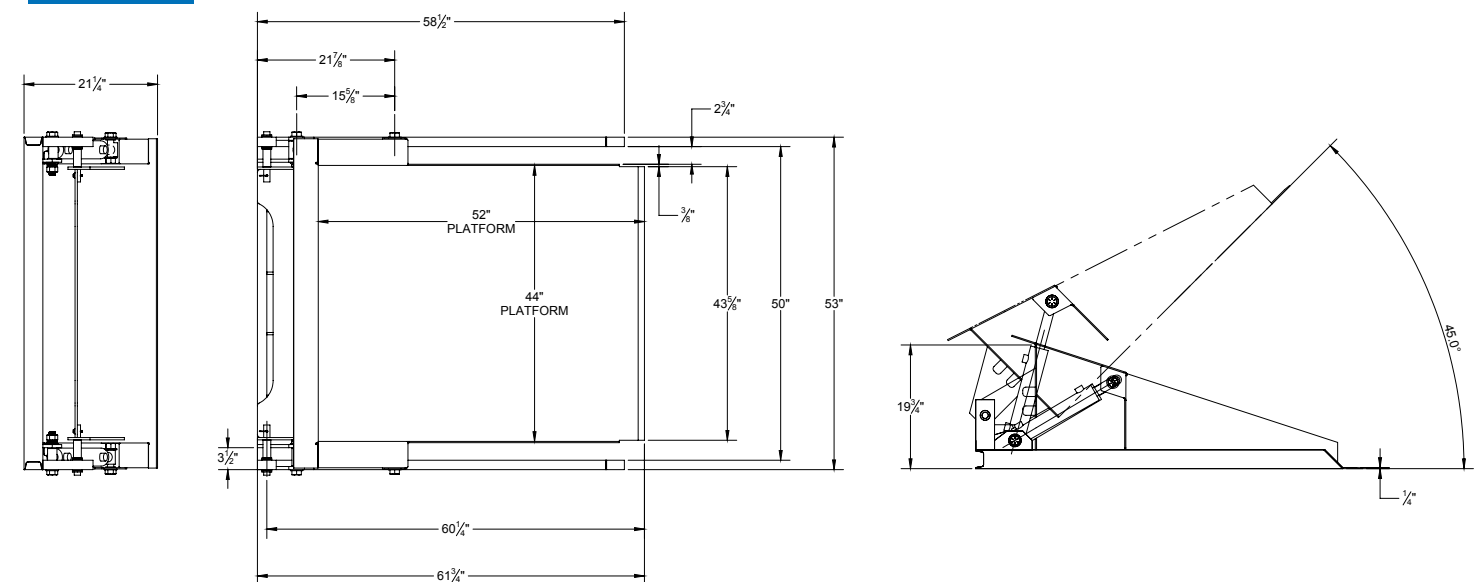
Features

- 304 Stainless steel
- Sanitary no weld platform
- Capacity 2,000 lbs to 4,000 lbs
- Washdown motors
- No enclosed metal and no tube

Options

- Stainless steel motor
- Electro polish
- Sloped stainless control panels
- 316 Stainless steel
- Stainless steel cylinders

Drawings



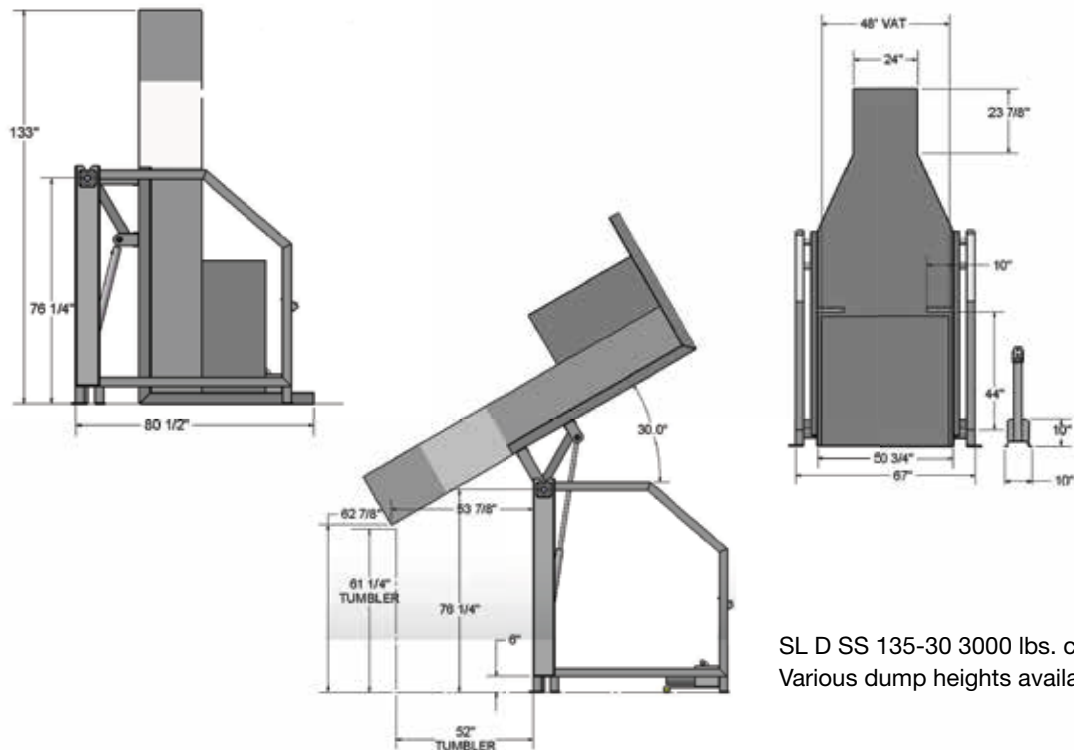
Stainless Steel Ground Level Dumpers



Features

- 100% Stainless steel Angle + Plate Design and no tube is used in the design
- Available in 304L and 316L stainless steel
- Capacities to 3,000 lbs
- Finishes 2B, electro polished
- For washdown applications
- Custom designs
- UL approved
- Faster sanitation times

Drawings



SL D SS 135-30 3000 lbs. capacity
Various dump heights available

Stainless Steel Ground Level Column Dumpers

The cleanest dumpers in the industry



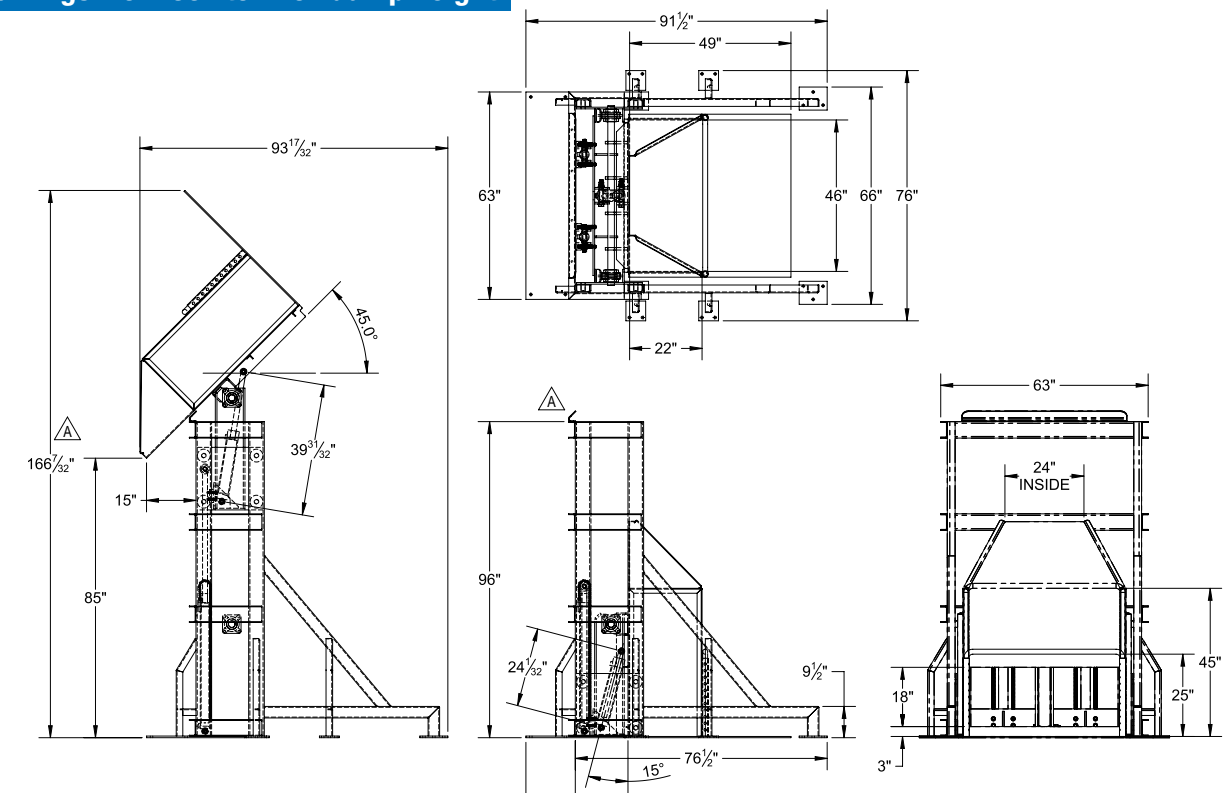
Features

- 500 lbs to 3,500 lbs capacity
- No tube or enclosed material
- 304L or 316L stainless steel
- Dump angle to 135°
- Up to 10 feet dump heights
- Ground level loading
- Faster sanitation times



Eliminates the possibility of listeria or bacteria

Sample Drawings from 36" to 120" dump height

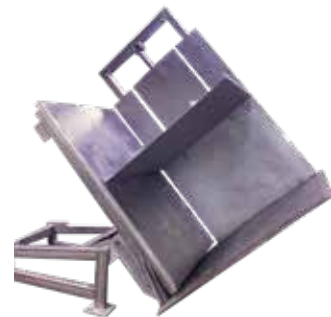
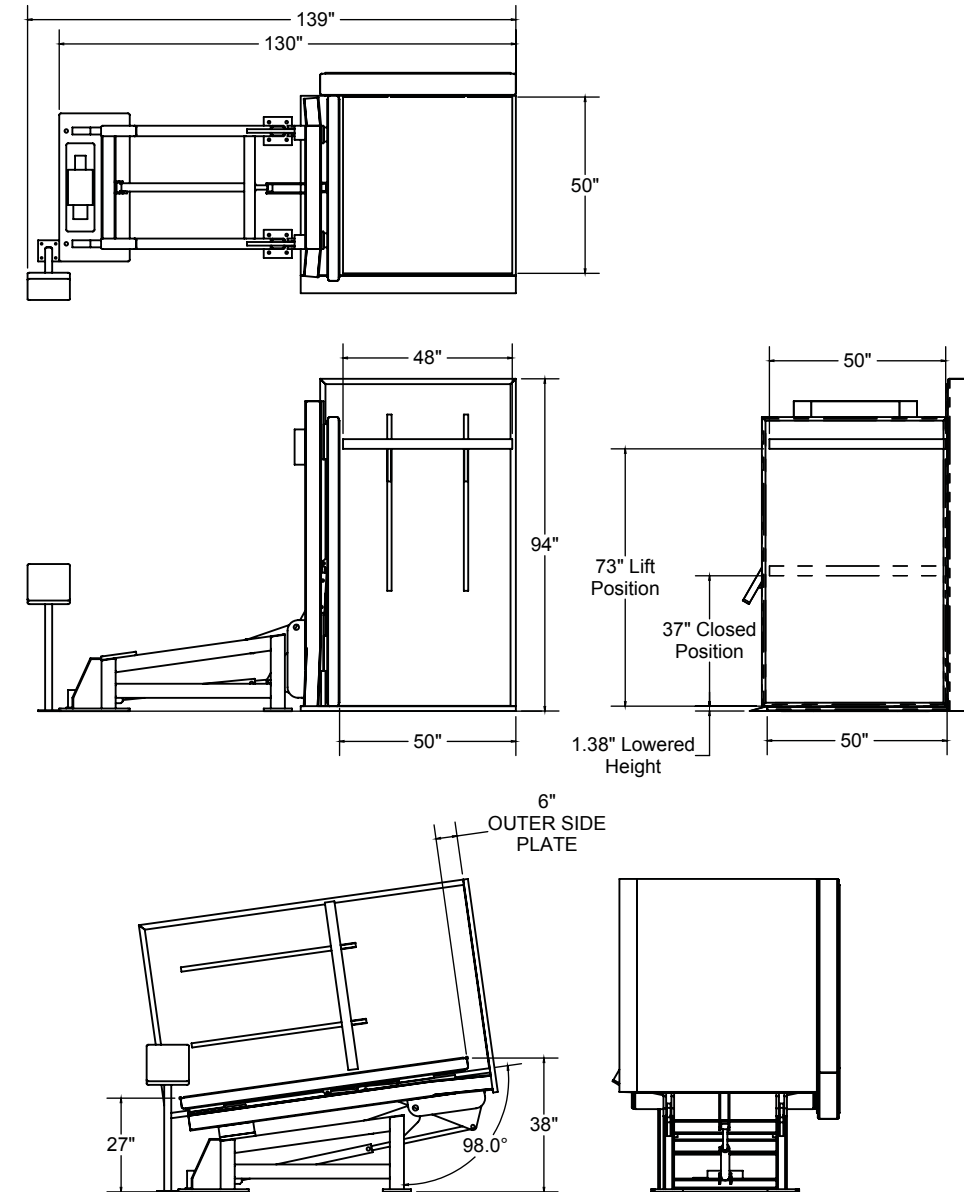


Stainless Steel Pallet & Standard Pallet Inverter

Features

- 3,000 to 4,500 lbs capacity
- Quality North American components & off the shelf parts for maintenance
- Load with a pallet truck
- Floor level access so the inverter can be loaded with a pallet rack
- Adjustable height clamp from 75" to 120"
- Faster cycle times allows operator to remove pallets and spacers in record times for fast return on investment
- Stainless steel is standard and mild steel, epoxy coated are available
- Off the shelf UL/CSA electrical panels your needs.

Drawings



Stainless Steel Clean Room Manlift

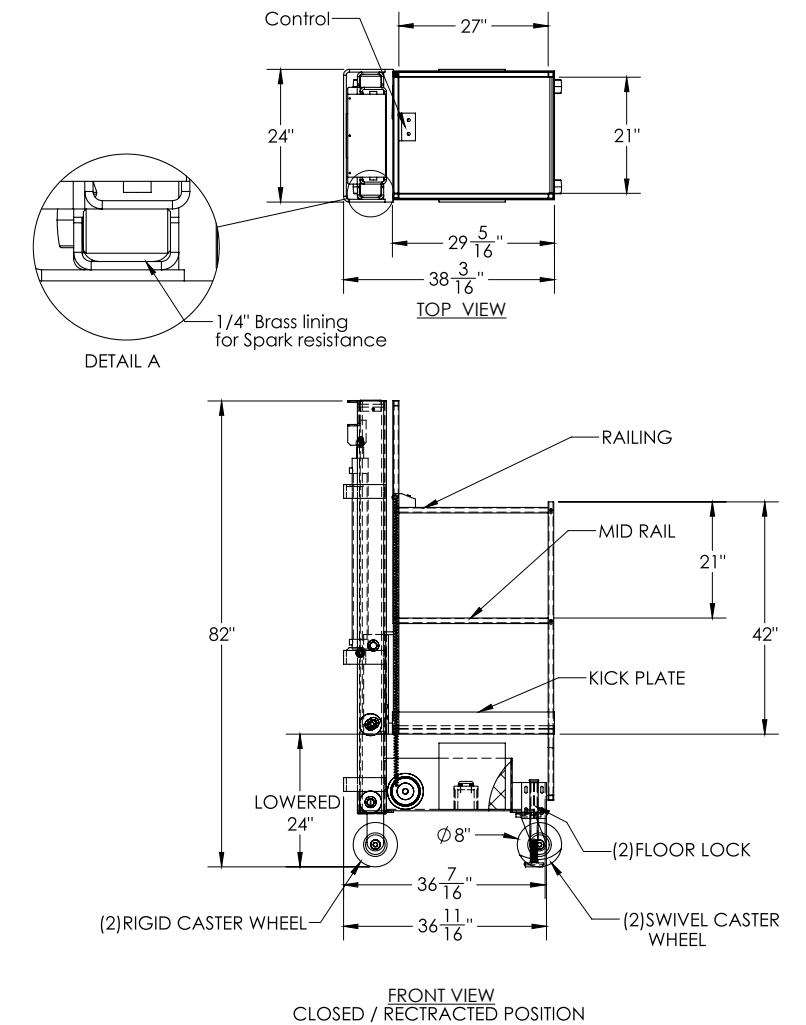
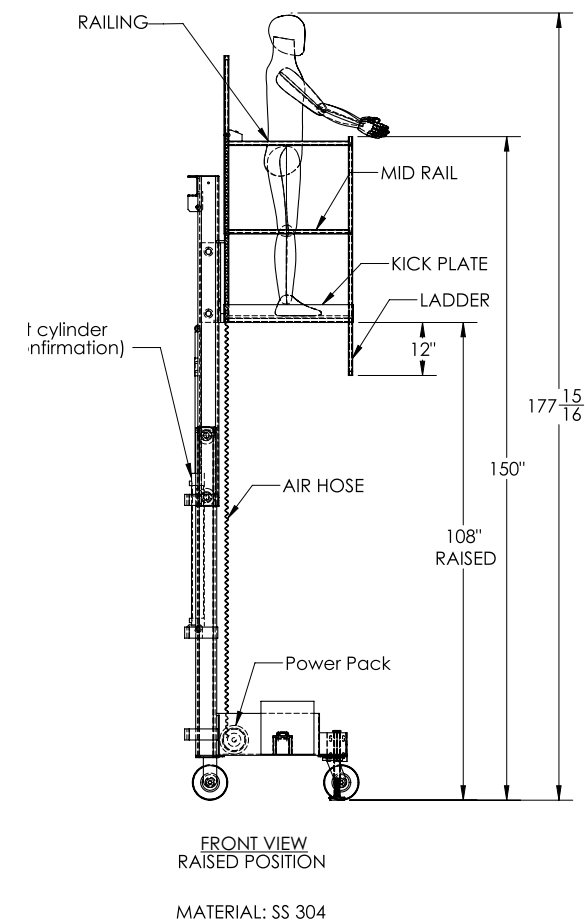


Features

- Operates in factory air
- Fast operating time
- Single and two person models
- Slipnot flooring
- 100% stainless steel
- Various layout and heights available
- Air powered available
- Spark proof available



Drawings



WEIGHT: - lbs
HARDNESS: -

Stainless Steel Manlifts



Features

- Capacities from 500 lbs to 10,000 lbs and lift heights to 144"
- Tube and non tube units available
- Delrin rollers and Delrin bushings
- 100% grade 8 bolts



60" Lift

Model	Capacity	Platform size	Base size	Lower Height	Raised Height	Up speed	Motor HP	Shipping weight
DSL-SS-60-20	2,000 lbs	30" x 48"	30" x 48"	10"	70"	35 sec	1	1,800lbs
DSL-SS-60-40	4,000 lbs	30" x 48"	30" x 48"	14"	74"	70 sec	1	1,800lbs
DSL-SS-60-60	6,000 lbs	30" x 48"	30" x 48"	16"	76"	90 sec	1	1,900lbs

72" Lift

Model	Capacity	Platform size	Base size	Lower Height	Raised Height	Up speed	Motor HP	Shipping weight
DSL-SS-72-20	2,000 lbs	30" x 60"	30" x 60"	10"	82"	55 sec	1	2,000lbs
DSL-SS-72-40	4,000 lbs	30" x 60"	30" x 60"	14"	86"	90 sec	1	2,100lbs
DSL-SS-72-60	6,000 lbs	30" x 60"	30" x 60"	16"	88"	110 sec	1	2,200lbs

96" Lift

Model	Capacity	Platform size	Base size	Lower Height	Raised Height	Up speed	Motor HP	Shipping weight
DSL-SS-96-20	2,000 lbs	48" x 84"	48" x 72"	10"	106"	60 sec	3	3,000lbs
DSL-SS-96-40	4,000 lbs	48" x 84"	48" x 72"	14"	110"	70 sec	3	3,100lbs
DSL-SS-96-60	6,000 lbs	48" x 84"	48" x 72"	16"	70"	60 sec	5	3,200lbs

120" Lift

Model	Capacity	Platform size	Base size	Lower Height	Raised Height	Up speed	Motor HP	Shipping weight
DSL-SS-120-20	2,000 lbs	48" x 96"	48" x 96"	14"	134"	30 sec	5	3,000lbs
DSL-SS-120-40	4,000 lbs	48" x 96"	48" x 96"	14"	134"	35 sec	5	3,200lbs
DSL-SS-120-60	6,000 lbs	48" x 96"	48" x 96"	16"	134"	35 sec	5	3,800lbs

144" Lift

Model	Capacity	Platform size	Base size	Lower Height	Raised Height	Up speed	Motor HP	Shipping weight
DSL-SS-144-20	2,000 lbs	54" x 108"	54" x 108"	16"	160"	60 sec	5	3,200lbs
DSL-SS-144-40	4,000 lbs	54" x 108"	54" x 108"	16"	160"	60 sec	5	3,400lbs
DSL-SS-144-60	6,000 lbs	54" x 108"	54" x 108"	16"	160"	60 sec	5	3,550lbs

Stainless Steel Air Powered Work Positioner

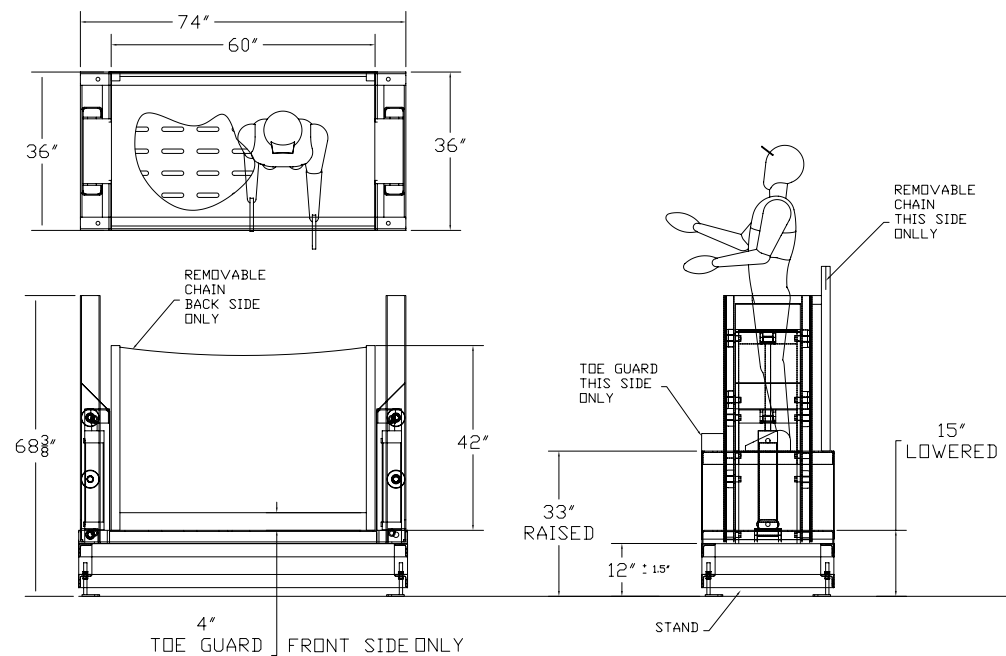


Features

- Operates in factory air
- Fast operating time
- Single and two person models
- Slipnot flooring
- 100% stainless steel
- Various layout and heights available
- Can be mounted on any stand



Drawings



Stainless Steel Work Positioner



Features

- SUS304 material, good for corrosive acids application
- Ideal for use in narrow aisles and confined spaces
- Perfect for all applications from pharmaceutical to catering, from packing line to food processing, from warehouse to office, kitchens, laboratories, retail outlet
- Operated via a manual hand winch
- Auto brake system prevents uncontrolled lowering
- With standard PE platform, stainless steel platform as option
- Quick change attachment options available

Specifications

Model	M100S	M200S
Type	Manual	Manual
Capacity	100kg 220 lbs	200kg 440 lbs
Load centre	235mm 9.2"	235mm 9.2"
Min. height	1500mm 59"	1500mm 59"
Min. height	130mm 5.2"	130mm 5.2"
Platform size	470mm x 600mm 18.5" x 23.6"	470mm x 600mm 18.5" x 23.6"
Load wheel	ø75 2.9"	ø75 2.9"
Steering wheel	ø125 4.2"	ø125 4.2"
Net weight	50kg 110lbs	60kg 132lbs

Stainless Steel Column & Mezzanine Lifts

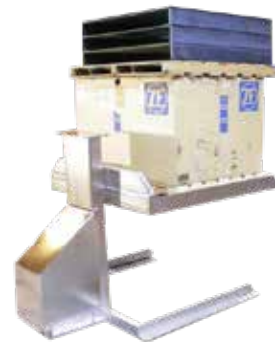


Features

- 304L and 316L stainless steel
- Ground level loading
- Front and side loading models
- Lift heights 2 to 240 inches
- Sanitary design reduces cleaning time
- Capacities from 500 lbs to 6,000 lbs
- Operator controlled and automated models
- Meets ANSI standards, TSSA standards available
- cGMP and USDA

Options

- Standard and polished finishes
- Clean room compliant
- Epoxy coated and galvanized available
- Painted mild steel also available
- Stainless steel enclosures and mezzanines are available



Stainless Steel Ground Level Mezzanine Column Lift



Features

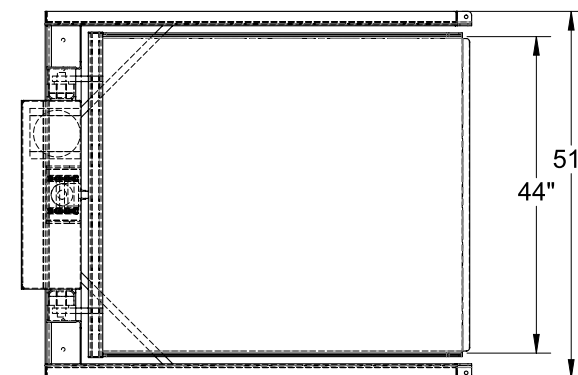
- 304 Stainless steel
- Sanitary no weld platform
- Capacity up to 3,000 lbs
- Wash down motors
- No enclosed metal and no tube
- Front load and Side Loading available

Options

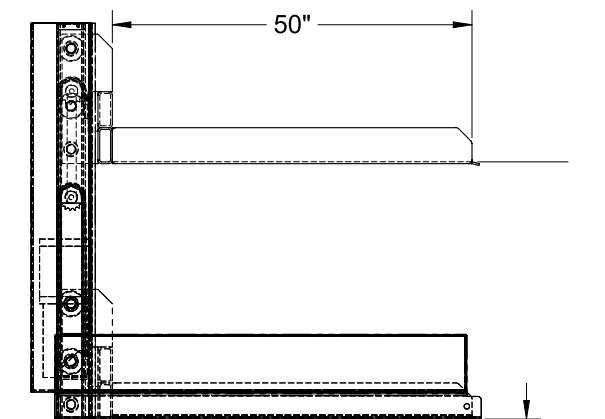
- Stainless steel motor
- Electro polish
- Sloped stainless control panels
- 316L Stainless steel
- Stainless steel cylinders



Drawings



TOP VIEW



FRONT VIEW

1/4"

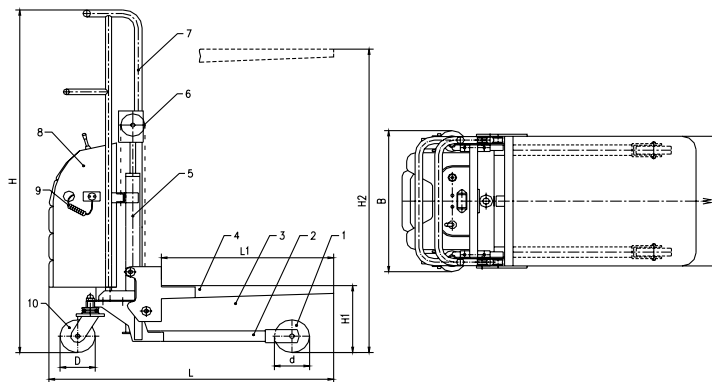
Stainless Steel Light Duty Stacker 880 lbs Capacity



Features

- SUS304 material, good for corrosive acids application
- Lifting movement via collapsible foot pedal
- Sensitive lowering through sinking valve
- Hand push drive
- Overload protection via pressure valve
- Stable chassis with 2 frame rollers and 2 steering rollers
- Option platform SUS304 LPS20 available

Drawings



Optional stainless steel platform LSP20

Specifications

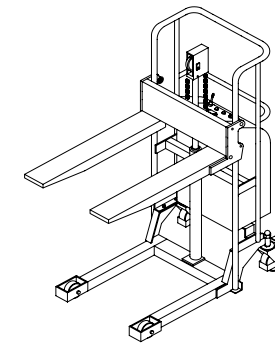
Model	PJ4085S	PJ120S	PJ4150S	PJ4180S
Capacity	400kg 880 lbs	400kg 880 lbs	400kg 880 lbs	400kg 880 lbs
Min. fork height	85mm 3.3"	85mm 3.3"	85mm 3.3"	85mm 3.3"
Max. fork height	850mm 33"	1200mm 47"	1500mm 59"	1800mm 70"
Load roller diam	ø75mm 2.9"	ø75mm 2.9"	ø75mm 2.9"	ø75mm 2.9"
Steering wheel diam	ø125mm 4.2"	ø125mm 4.2"	ø125mm 4.2"	ø125mm 4.2"
Net weight	75kg 165lbs	81kg 178lbs	85kg 187lbs	93kg 205lbs
Option platform	LPS20	LPS20	LPS20	LPS20

Stainless Steel Light Duty Stacker 880 lbs Capacity



Features

- SUS304 material, good for corrosive acids application
- Easier and faster lifting operation
- Service free battery
- Option platform SUS304 LPS20 available



Optional stainless steel platform LSP20



Optional stainless steel electric box

Specifications

Model	EJ4085S	EJ1205S	EJ4150S	EJ4180S
Capacity	400kg 880 lbs	400kg 880 lbs	400kg 880 lbs	400kg 880 lbs
Min. fork height	85mm 3.1"	85mm 3.1"	85mm 3.1"	85mm 3.1"
Max. fork height	850mm 33"	1200mm 47"	1500mm 59"	1800mm 70"
Power unit	0.8 KW	0.8 KW	0.8 KW	0.8 KW
Battery	12V/80Ah	12V/80Ah	12V/80Ah	12V/80Ah
Net weight	117kg 260lbs	122kg 268lbs	127kg 279lbs	138kg 304lbs
Option platform	LPS20	LPS20	LPS20	LPS20

Stainless Steel Roll Lift

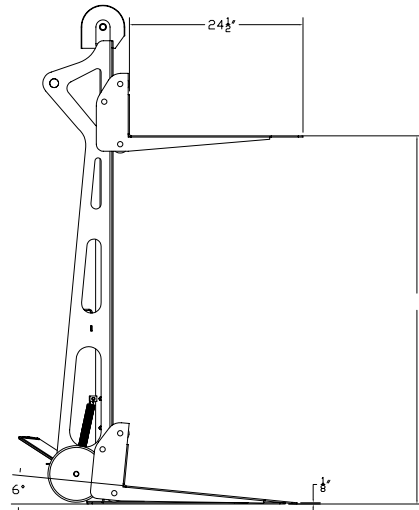


Features

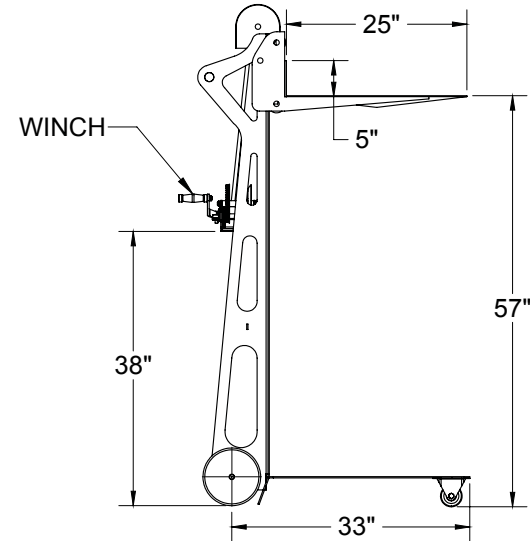
- 304L or 316L North American Stainless Steel
- Winch or Foot Pump Style
- Up to 80" Lift Height V Groove Platform
- Core Ram available
- American Made Foot Pump
- With or Without Load Wheels

Drawings

Foot pump style



Winch style



Stainless Steel Stationary & Portable Ingredient Lifts



Features

- Capacities from 100 lbs to 750 lbs
- Lift heights to 96"
- Standard and custom solutions
- Ergonomic lift and dump your ingredients into your process that will eliminate injuries
- Barrels, bags and boxes to 96"
- Stainless steel in 304L and 316L
- Epoxy coated with stainless ingredients containers
- Enamel painted units
- Dump angle to 45 degrees
- Some stationary units do not have to be lagged to the floor
- Available in air, electric and hydraulic models



Stainless Steel Drum Lift



Features

- Removes drums from Pallets and containment skids
- Capacity to 990 lbs or 450 Kg
- 100 % 304 L stainless steel
- Lockable casters, stainless steel cylinder
- Powered drive available



Technical data

Model	SL SS DL
Lifting Capacity	450kg 992 lbs
Lifting Height	500mm 19.6"
Lifting per stroke	11.6mm 0.45"
Drum size	572mm (22.5"Diam) / 210Liters (550gallon)
Net Weight	165kg 364 lbs



Stainless Steel Pharm Assist



manual model shown

Features

- 304L or optional 316L stainless steel for your clean room applications
- Standard and custom sizes and custom end-effectors are available for your special applications
- A small foot print in 24 volt DC drive with lithium and sealed batteries that will provide shift after shift of lifting ease
- Available with manual or electric brake so that your load will stay where you place it
- Easy to use controls that are identical to a powered pallet truck so any experienced operator will find it easy to use.

Optional attachments



Spindle

Double Spindle



Reel Rotator

V Block



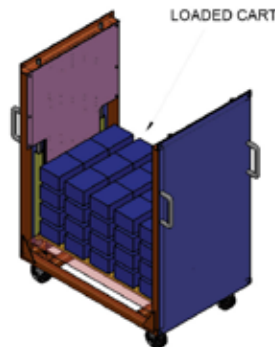
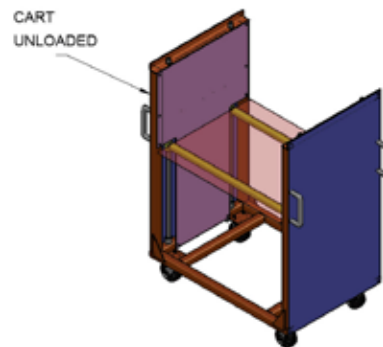
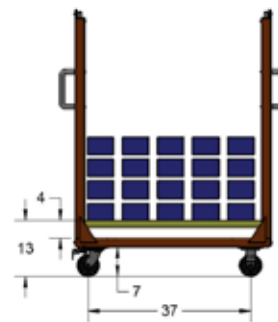
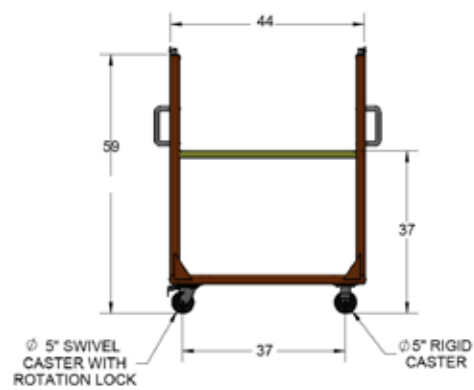
Stainless Steel Self Adjusting Push Carts



Features

- Ergonomic positioning from 13 to 37 inches
- 304L and 316L North American Stainless Steel number 4 finish
- No power required
- SPARK proof available
- Oversized platform and custom sizes available
- Self contained stainless springs in smooth sanitary finish, easy to clean wash down
- Anti static wheels

Drawings



Stainless Steel Clean Room Fabricated Solutions



Features

Superlift Clean Room Fabricated Solutions offers a wide range of stainless steel surfaces for all clean room environments.

Our products conform to regulations and standards outlined in the various standards applicable for the pharmaceutical, food and medical industry.

Superlift Clean Room Fabricated Solutions include:

- Cabinets
- Medical & safety carts
- Benches
- Pass through, latches
- Shelving
- Lockers
- Work stations
- Ergonomics
- Ladders
- Standard & custom sizes
- Process equipment



Stainless Steel Tugger

5,500 lbs capacity



Features

- Can be used in a wide variety of applications
- Very compact design makes the machine extremely manoeuvrable
- Very easy to connect the hook to the object in an instant with almost no effort
- High quality Curtis Speed Controller, which is programmable according to your needs
- Increased employee productivity
- Powered lift available



Specifications

Model	SM2500
Driving motor	DC Motor 24V, 300W
Traction capacity	2,500kg 5,550lbs
Travel speed	0-6 km/h
Speed controller	Curtis band and speed and acceleration are freely programmable
Battery	Build-in 24V/80A
Charger	Build-in 24V/10A
Tires	Solid ø 250mm x 85mm 10" x 3.5"
Net weight incl. battery	220 kg 485 lbs
Width	500 mm 19.6"
Length without hook	930 mm 37" (handle in the lowest position)
Handle height	1020-1545 mm 40" x 61"
Overall height	900 mm 35"
Standard provided with	Battery, battery charger, standard hook
Options	Special hooks, no-marking solid tire

