



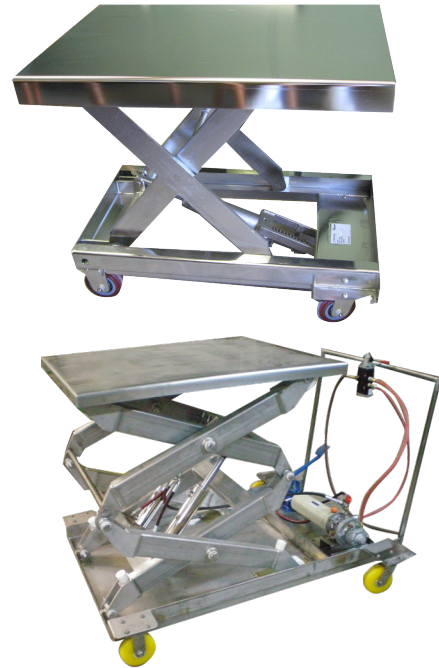
**SUPERLIFT**  
SANITARY LIFTS

LIFT TABLES

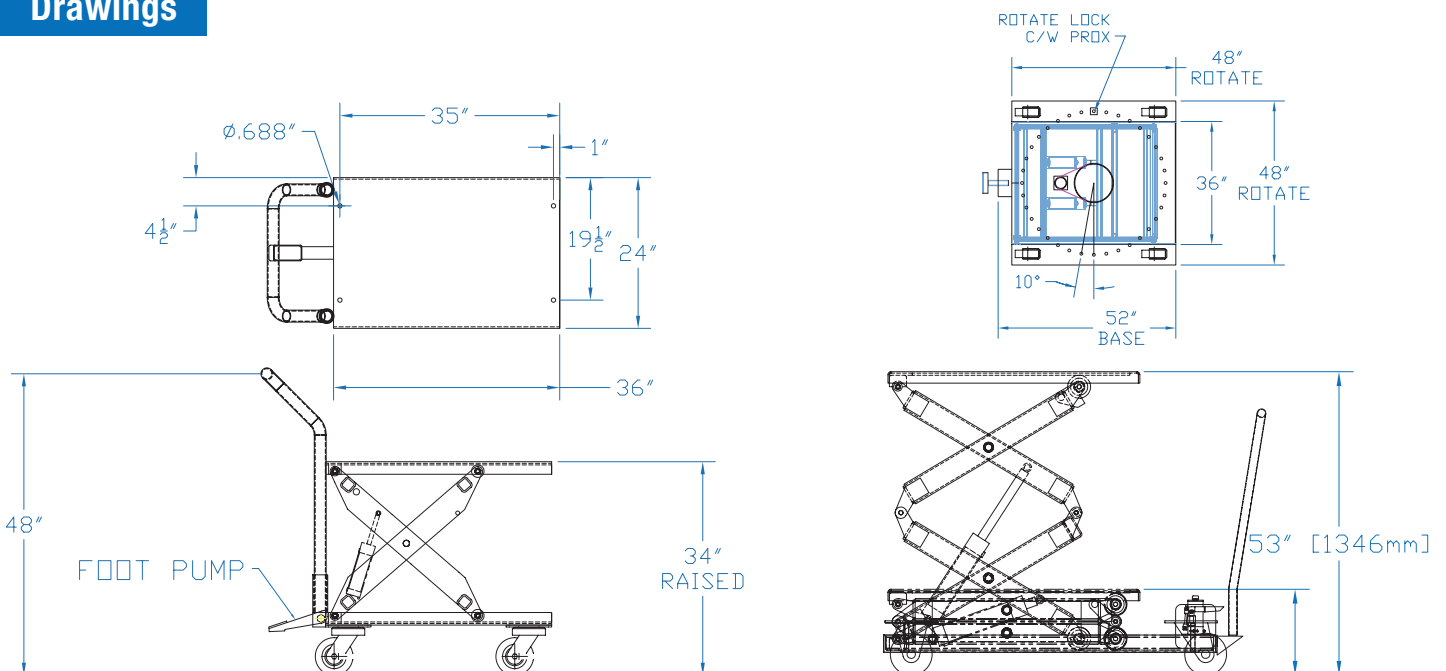
# Stainless Steel Clean Room Portable Lift Tables

## Features

- High quality 304L and 316L stainless steel
- Foot pump and powered lift available
- Delrin rollers and bushings
- Battery powered, air powered and A/C powered
- Platform sizes to 48" x 72" (1,200mm x 1,600 mm)
- Lift heights to 78" high
- Nickel plated and stainless and washdown pumps



## Drawings





# Stainless Steel Clean Room Portable Lift Tables

## Foot Pump Models

Model	Capacity lbsP	Lowered lift	Raised height	Platform size	Option platform sizes to
SL SS34-05	500	16"	34"	24" x 36"	36" x 48"
SL SS34-10	1,000	16"	34"	24" x 36"	36" x 48"

## Double Foot Pump Models

SL SSD54-05	500	18"	72"	24" x 36"	36" x 48"
SL SSD54-10	1,000	18"	72"	24" x 36"	36" x 48"

## Powered Models

SL SSP34-05	500	16"	34"	24" x 36"	48" x 60"
SL SSP34-10	1,000	16"	34"	24" x 36"	48" x 60"
SL SSP34-15	1,500	16"	34"	24" x 36"	48" x 60"
SL SSP34-20	2,000	16"	34"	24" x 36"	48" x 60"

## Customs Sizes Available

### Double Powered Models

SL SSP60-05	500	18"	78"	36" x 48"	60" x 72"
SL SSP60-10	1,000	18"	78"	36" x 48"	60" x 72"
SL SSP60-15	1,500	18"	78"	36" x 48"	60" x 72"
SL SSP60-20	2,000	18"	78"	36" x 48"	60" x 72"
SL SSP60-30	3,000	18"	78"	36" x 48"	60" x 72"
SL SSP60-40	4,000	18"	78"	36" x 48"	60" x 72"