



**SUPERLIFT**  
SANITARY LIFTS

GROUND LEVEL LIFTS

# Stainless Steel Ground Level Column Lift

2,500 lbs capacity

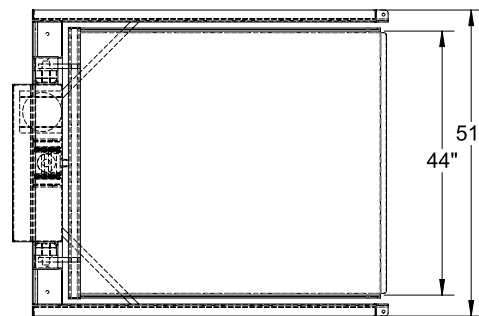
## Features

- Life time no lubrication
- Velocity fuses on all cylinders
- Reinforced platforms
- Fully welded frames
- Overload protection with built in pressure relief valves
- Delrin rollers
- North America components

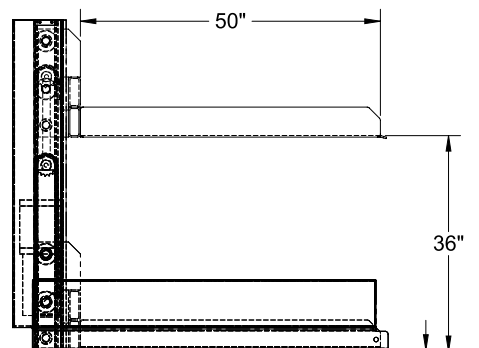
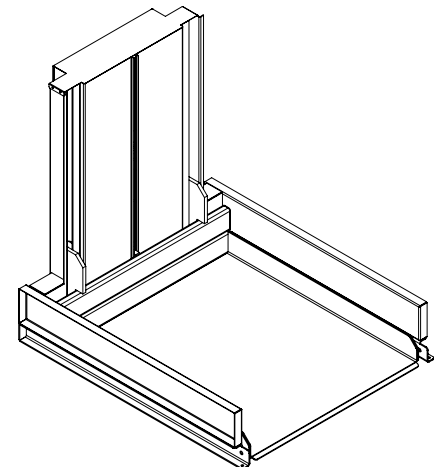


## Options

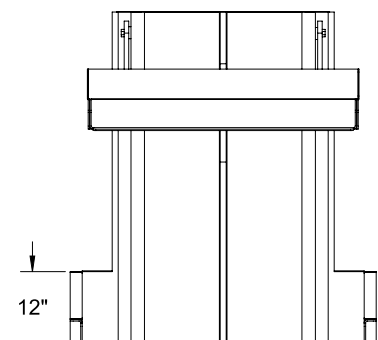
- Ball Transfer
- Photo Eyes
- Electro-mechanic toe guards
- Stainless Steel and Galvanized
- Custom Sizes
- Rotating Platforms



TOP VIEW



FRONT VIEW



SIDE VIEW