

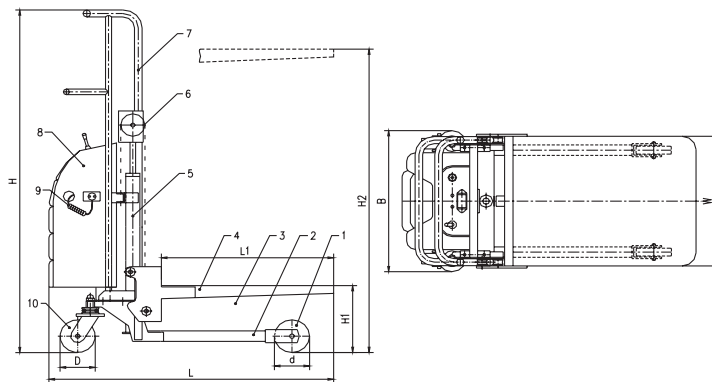
## Stainless Steel Light Duty Stacker 880 lbs Capacity



### Features

- SUS304 material, good for corrosive acids application
- Lifting movement via collapsible foot pedal
- Sensitive lowering through sinking valve
- Hand push drive
- Overload protection via pressure valve
- Stable chassis with 2 frame rollers and 2 steering rollers
- Option platform SUS304 LPS20 available

### Drawings



Optional stainless steel platform LSP20

### Specifications

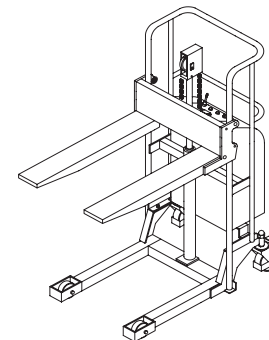
Model	PJ4085S	PJ120S	PJ4150S	PJ4180S
Capacity	400kg   880 lbs	400kg   880 lbs	400kg   880 lbs	400kg   880 lbs
Min. fork height	85mm   3.3"	85mm   3.3"	85mm   3.3"	85mm   3.3"
Max. fork height	850mm   33"	1200mm   47"	1500mm   59"	1800mm   70"
Load roller diam	ø75mm   2.9"	ø75mm   2.9"	ø75mm   2.9"	ø75mm   2.9"
Steering wheel diam	ø125mm   4.2"	ø125mm   4.2"	ø125mm   4.2"	ø125mm   4.2"
Net weight	75kg   165lbs	81kg   178lbs	85kg   187lbs	93kg   205lbs
Option platform	LPS20	LPS20	LPS20	LPS20

## Stainless Steel Light Duty Stacker 880 lbs Capacity



### Features

- SUS304 material, good for corrosive acids application
- Easier and faster lifting operation
- Service free battery
- Option platform SUS304 LPS20 available



Optional stainless steel platform LSP20



Optional stainless steel electric box

### Specifications

Model	EJ4085S	EJ1205S	EJ4150S	EJ4180S
Capacity	400kg   880 lbs	400kg   880 lbs	400kg   880 lbs	400kg   880 lbs
Min. fork height	85mm   3.1"	85mm   3.1"	85mm   3.1"	85mm   3.1"
Max. fork height	850mm   33"	1200mm   47"	1500mm   59"	1800mm   70"
Power unit	0.8 KW	0.8 KW	0.8 KW	0.8 KW
Battery	12V/80Ah	12V/80Ah	12V/80Ah	12V/80Ah
Net weight	117kg   260lbs	122kg   268lbs	127kg   279lbs	138kg   304lbs
Option platform	LPS20	LPS20	LPS20	LPS20