



**SUPERLIFT**  
SANITARY LIFTS

GOLIATH SERIES

# **GOLIATH™**

## **PUSH AROUND CONTRACTOR LOAD LIFTER**

### **4,000 and 6,000 lbs capacity**

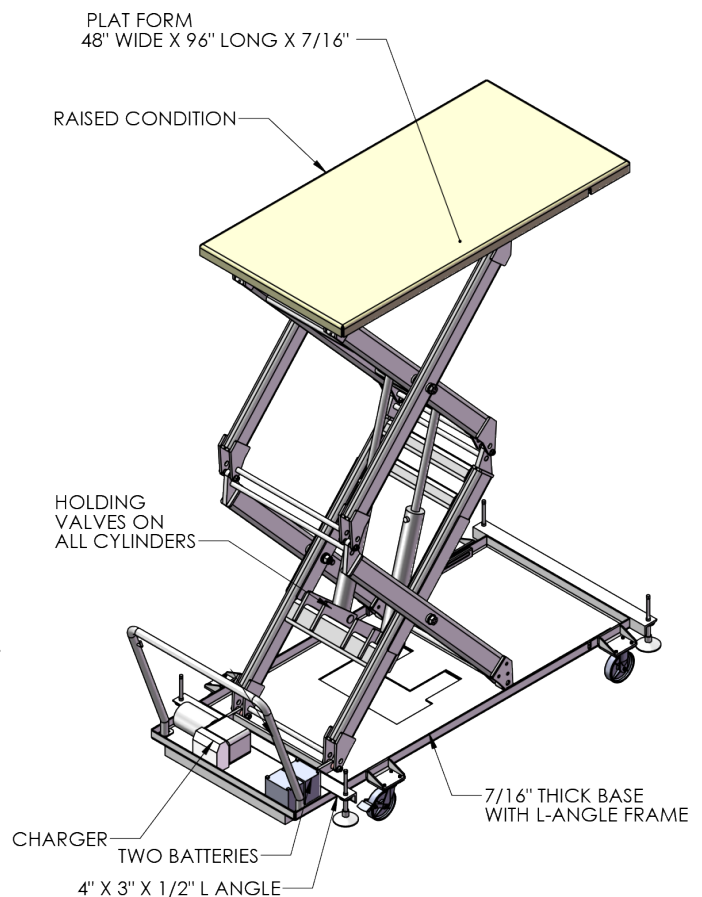
Introducing our latest innovation in heavy lifting technology - the portable heavy duty load lifter! With its impressive capacity up to 6,000lbs and ability to lift pipes up to 180" high, this lifter is the perfect solution for your toughest construction lifting jobs.

Its compact size and lightweight design make it easy to transport to any job site, so you can take it wherever you need it.

Built with strength and durability in mind, our load lifter is designed to handle even the heaviest loads with ease. Its sturdy construction ensures that it can withstand the rigors of any worksite, while its easy-to-use design makes it simple to operate.

Whether you're working in the construction industry, oil and gas sector, or any other field that requires heavy-duty lifting, our 6000 lbs pipe lifter is the tool you need. So don't settle for anything less - choose our pipe lifter and experience the power and reliability of the best in the business!

**Drivable Units Available**





**SUPERLIFT**  
SANITARY LIFTS

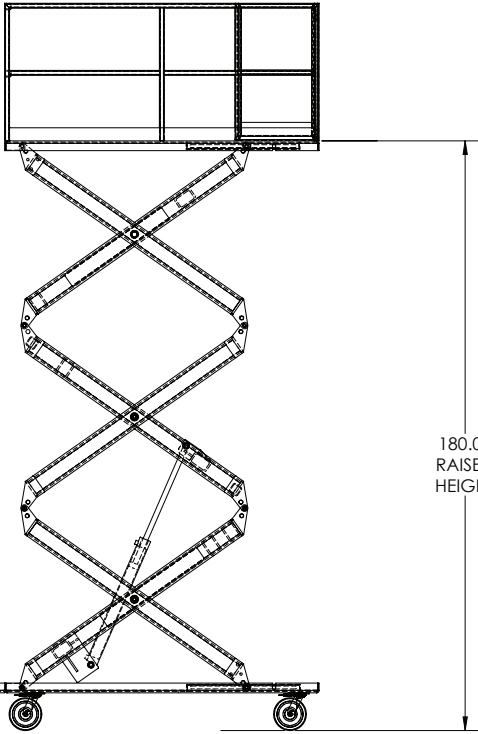
**GOLIATH SERIES**

# **GOLIATH™** **PUSH AROUND CONTRACTOR** **LOAD LIFTER**

4,000 and 6,000 lbs capacity

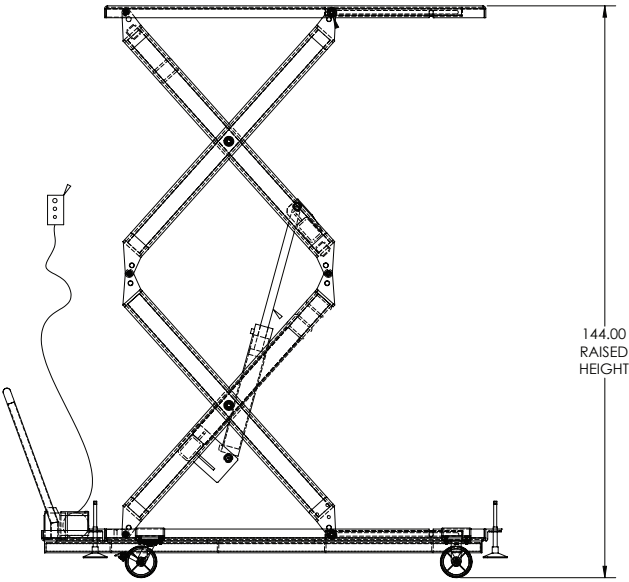
**Two models to available**

**4,000 lbs**



**180" raised height**

**6,000 lbs**



**144" raised height**

**CALL 1-800-884-1891 FOR CUSTOM SIZES**