



SUPERLIFT
SANITARY LIFTS

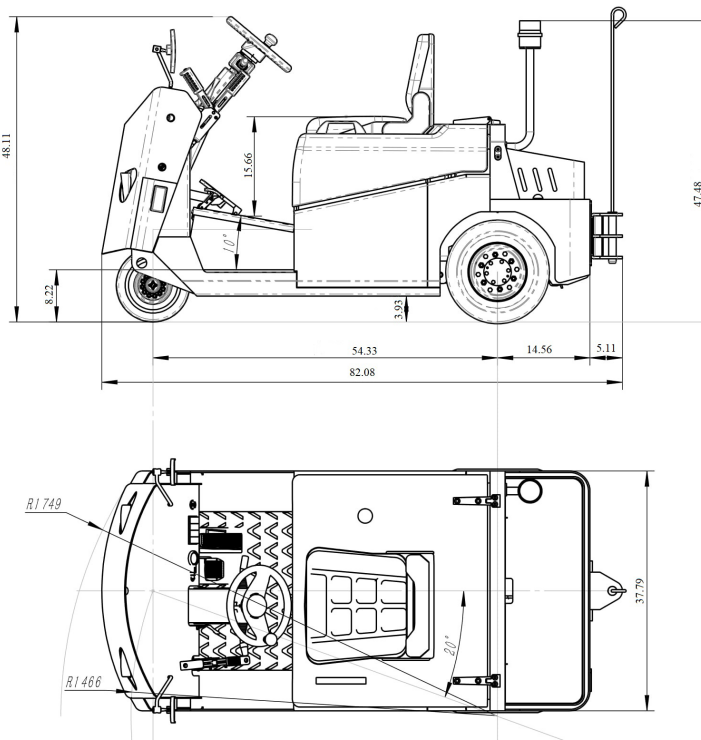
TOWING TRACTORS

6Ton Electric Towing Tractor

6,000 kg | 13,227 lbs

Features

- **New type of suspended seat** adjusts the bearing capacity according to the weight, providing the most comfort.
- **Reliable accelerator:** the inner safety switch ensures safer operation. The service life is more than 10 million times.
- **Bigger steering angle** ensures smaller turning radius and easier operation, and the space utilization ratio is also increased.



- **Tighten mechanism** installed at the top of the cover.
- **Tricolor taillight:** Fog light, turning light and braking light, which ensure more safety for both life and property.



SUPERLIFT
SANITARY LIFTS

TOWING TRACTORS

6Ton Electric Towing Tractor

6,000 kg | 13,227 lbs

Specifications

Product model	XTA60	
Power supply	Battery	
Operating type	Sit-on	
Tires	front / rear	Front solid / rear pneumatic
Tires qty	front / rear	2/2x
Max. pulling force	3min rating	4410 (450) N (kgf)
Rated pulling force (traction capacity)	60min rating	1170 (155) N (kgf)
Traction weight	60min rating	6,000 kg 13,227 lbs
Travelling speed without load	15 km/h	
Travelling speed with load	7 km/h	
Max. gradeability with load	25%	
Overall length with hook	2052 mm 80.7"	
Overall length without hook	1870 mm 73.6"	
Front overhang	150 mm 5.9"	
Rear overhang	370 mm 14.5"	
Overall width	954 mm 38.7"	
Overall height	1220 mm 48"	
Turning radius	1720 mm 67.7"	
Hook length	136 mm 5.3"	
Hook height	290/340/390 mm 11.4"/13.3"/15.3"	
Wheelbase	1350 mm 53.1"	
Tread	rear wheel	260 mm 10.2"
	front wheel	860 mm 33.8"
Ground clearance	95 mm 3.7"	
Platform height	340 mm 13.3"	
Total height with battery	1210kg 2667.5 lbs	
Total height without battery	670 kg 1477 lbs	
Weight layout (with standard battery)	front wheel	370 kg 815 lbs
	rear wheel	780 kg 1719 lbs
Tire dimension	front wheel	3.50-5-6PR
	rear wheel	4.00-8-6PR
Main brake	Hydraulic	
Hand brake	Manual	
Battery voltage/nominal capacity 5H	48/320 V/AH	
Battery weight	540 kg 1190. lbs	
Driving motor	AC 4.0	
Type of driving control	MOSFET Control	

