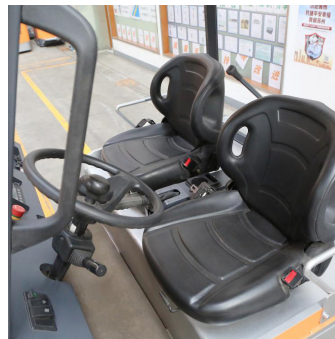


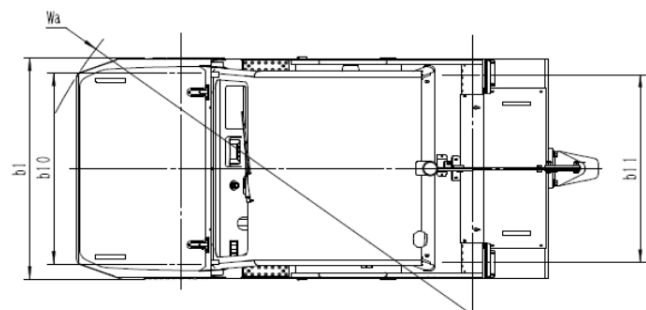
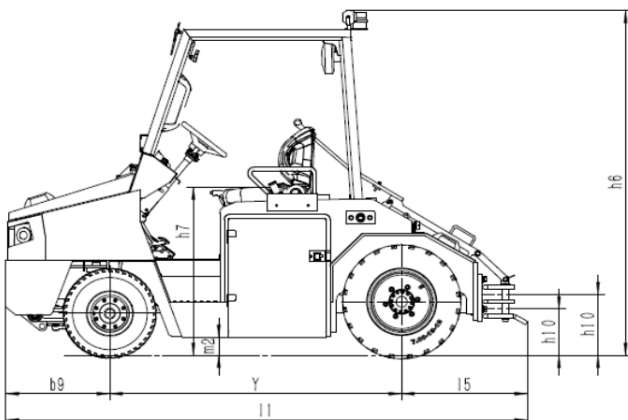
55,000 lbs Towing Tractor

FEATURES

- Heavy duty chassis and cab module provide protection for the operator.
- Nominal towing capacity of 25.0 tonne and unladen traction speed of 20 km/h.
- AC control system provides precise, energy saving control of acceleration and speed for high productivity.
- Chassis constructed from heavy section steel plate for optimum torsional stiffness and rounded corners for high resistance to impacts.
- Powerful, high torque 23 kW AC drive motors provide impressive pulling power for a variety of intensive applications.



DRAWINGS



CHARACTERISTICS	Drive: electric (battery or mains), diesel, petrol, fuel gas			Battery
	Operator type: hand, pedestrian, stand-on, seat-on, order-picker			Seat-on
	Load capacity/rated load	Q (t)		25
	Rated drawbar pull 6Km/h	F (KN)	≥F	13
	Wheelbase	Y (in)	±1%	1850
WEIGHT	Dead weight	lbs	±3%	9524
	Axle loading, laden front/rear	lbs	±3%	–
	Axle loading, unladen front/rear	lbs	±3%	4630 /2430
TYPE/CHASIS	Tires: Solid rubber (R), Superelastic (S), Pneumatic(P), Polyurethane (PU)			P
	Tire size, front	Ø x w(in)		6.50-10-
	Tire size, rear	Ø x w(in)		7.00-15-
	Additional wheels (dimensions)	Ø x w(in)		–
	Wheels, number front/rear (x = driven wheels)			2/2x
	Tread , front	b10 (in)	±2%	49
	Tread , rear	b11 (in)	±2%	48
DIMENSION	Height of overhead guard(cabin)	h6 (in)	±1%	89
	Seat height relating to SIP/stand height	h7 (in)		43
	Height of tiller in drive position min. / max.	h14 (in)		–
	Coupling height	h10 (in)	±2%	12/15.7
	Loading height,unladen	h11 (in)		–
	Length of loading surface	l3 (in)		–
	Overhang	l5 (in)	±3%	31
	Overhang, cabin	l5.1 (in)		–
	Front overhang distance	b9 (in)		26
	Overall length	l1 (in)	±1%	132
	Overall width	b1/b2 (in)	±1%	57
	Ground clearance, centre of wheelbase (min)	m2 (in)	-5%	5
	Load dimension b 12 × l 6 crossways	b 12 × l 6		
	Aisle width predetermined load dimensions	Ast (in)		–
	Turning radius (min)	Wa (in)	≤Wa	138
	Minimum pivoting point distance	b13 (in)		–
	PERFORMANCE	Travel speed, laden/unladen	km/h	± 10 %
Travel speed, laden/unladen, backwards		km/h		–
Drawbar pull,laden/unladen(S2 60min)		KN		0.5
Max. drawbar pull, laden/unladen(S2 5min)		KN		0.3
Gradeability, laden/unladen(S2 30min)		%		5/25
Max. gradeability, laden/unladen(S2 5min)		%		–
Acceleration, laden/unladen(10m) (sur 10 m)		s		-
Service brake				Hydraulic
ELECTRIC ENGINE	Drive motor rating S2 60 min	kW		23
	Battery according to DIN 43531/35/36 A,B,C,no			Special
	Battery voltage/nominal capacity K5	V/Ah		80/630
	Battery weight	lbs		3560
	Energy consumption according to VDI cycle	kWh/h		–
ADDITION	Type of drive control			AC
	Sound pressure level at the driver's seat according to EN 12053	dB (A)		< 70
	Towing coupling, type DIN 15170			Plug-in