



SUPERLIFT
SANITARY LIFTS

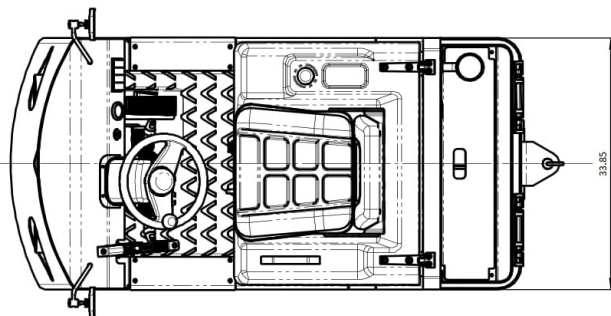
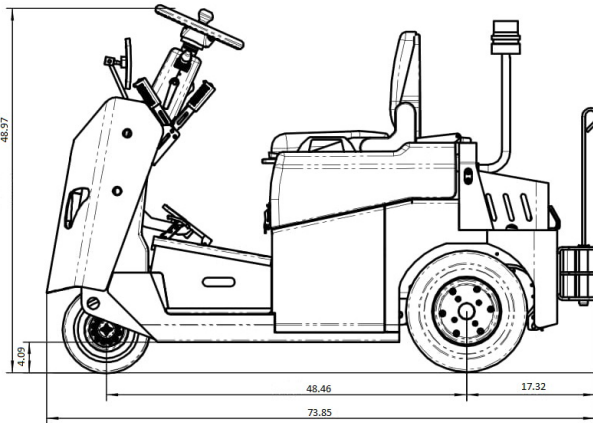
TOWING TRACTORS

4Ton Electric Towing Tractor

4,000kg | 8,818lbs

Features

- Wheelbase provide a tight turning radius for maximum manoeuvrability and control in confined work environments.
- Rear Bridge Drive Unit provides excellent power and gradeability.
- Ergonomically Designed Compartment allows easy operation of all controls and pedals to help reduce operator fatigue.



- Forward/Reverse Lever and a floor-mounted accelerator pedal provides fast and easy direction control changes.
- Heavy duty suspension seat with arms, multi angle back support, sliding base and safety belt, which improve overall operator comfort and safety.
- Low Step Height allows for easy entry and exit.
- Small-Diameter Steering.



SUPERLIFT
SANITARY LIFTS

TOWING TRACTORS

4Ton Electric Towing Tractor

4,000kg | 8,818lbs

Specifications

Product model		XTA40
Power supply		Battery
Operating type		Sit-on
Tires	front / rear	Front solid / rear pneumatic
Tires qty	front / rear	1/2x
Max. pulling force	3min rating	4000 (400) N (kgf)
Rated pulling force (traction capacity)	60min rating	1000 {100} N (kgf)
Traction weight	60min rating	4,000 kg 8818 lbs
Travelling speed without load		12 km/h
Travelling speed with load		7 km/h
Max. gradeability with load		14%
Overall length with hook		1728 mm 68"
Overall length without hook		1592 mm 62.7"
Front overhang		266 mm 10.5"
Rear overhang		136 mm 5.3"
Overall width		858 mm 33.8"
Overall height		1245 mm 49"
Turning radius		1447 mm 57"
Hook length		136 mm 5.3"
Hook height		305/335 mm 12"/14"
Wheelbase		955 mm 37.6"
Tread	rear wheel	724 mm 28.5"
Ground clearance		85 mm 3.3"
Platform height		371 mm 14.6"
Total height with battery		812 kg 1790 lbs
Total height without battery		527kg 1161 lbs
Weight layout (with standard battery)	front wheel	302 kg 665.7 lbs
	rear wheel	510 kg 1124 lbs
Tire dimension	front wheel	3.50-5-6PR
	rear wheel	4.00-8-6PR
Main brake		Hydraulic
Hand brake		Manual
Battery voltage/nominal capacity 5H		24/280 V/AH
Battery weight		285 kg 628.3 lbs
Driving motor		AC 3. kw
Type of driving control		MOSFET Control

