



**SUPERLIFT**  
SANITARY LIFTS

ELECTRIC TUGGERS

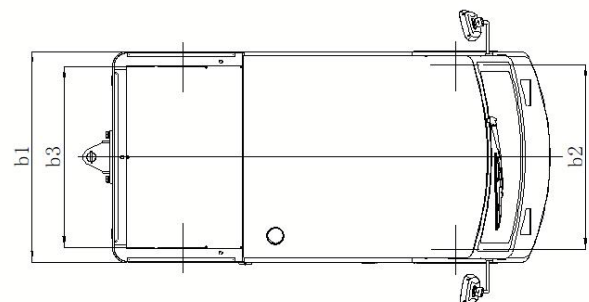
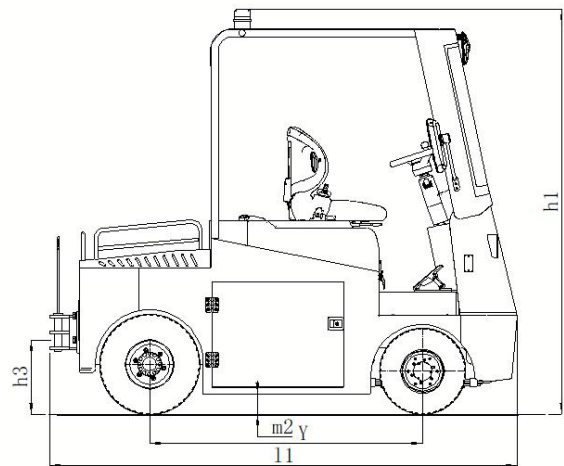
# 30,000 lbs Ride-On Tugger

## Capacity 15 Ton

The Superlift 30,000 lbs Ride-On Tugger is designed to meet the demanding needs of modern industries. This powerful machine redefines efficiency, safety, and productivity in your warehouse operations.

### Features

- **Impressive Capacity:** With a hefty 30,000 lbs capacity, the Superlift Tugger effortlessly handles heavy loads, streamlining your material transport processes.
- **Ride-On Convenience:** Say goodbye to manual labor fatigue. The ergonomic design of the Superlift Tugger allows operators to comfortably ride while effortlessly maneuvering through your facility.
- **Precision Control:** Equipped with state-of-the-art control systems, operators can navigate tight spaces and crowded aisles with precision, ensuring maximum safety and efficiency.
- **Robust Construction:** Built to withstand the rigors of daily operation, the Superlift Tugger boasts a rugged construction that ensures durability and longevity, even in the most demanding environments.
- **Versatile Applications:** Whether you're moving heavy carts or heavy machinery, the Superlift Tugger adapts to a wide range of applications, making it a versatile asset in your material handling arsenal.





# 30,000 Ibs Ride-On Tugger

## Capacity 15 Ton

### Technical Data

Model			SL RT 300		
Operation Type					
Power			Lead Acid	Lead Acid	
Characteristic	Maximum hook traction		KN	12.3	2765 Lb
	Load traction			3.8	854 Lb
	Maximum towing weigh	Trailer	Kg	15,000	33,069 LBS
	Maximum travelling speed	advance Unladen / Laden	Km/h	16.0/8	10 /5 MPH
		retreat		10	6.21 MPH
	Minimum turning radius		mm	2890	113 In
	Max. gradeability, Unladen		%	25	25
	Maximum braking distance	No trace mop hook	m	2.8	9.18 Ft
Towing rated weight		2.3		7.5 Ft	
Dimensions	Overall length (Traction hook)		l1(mm)	2460	97 Inch
	Overall width		b1(mm)	1150	45 Inch
	Overall height (Cab,Alarm lamp)		h1(mm)	2111	83 Inch
	Front Wheel Base		b2(mm)	1000	39 Inch
	Rear Wheel Base		b3(mm)	985	39 Inch
	Wheel base		Y(mm)	1451	57 Inch
	Towing height of towing peg up/down		h3(mm)	350/450	14/ 17 Inch
	Min.ground clearance		m2(mm)	100	4 Inch
Type	Wheel	Front Wheel	5.00-8		
		Rear Wheel	6.00-9		
Weight	Weight (Cab)		Kg	2230	
	Axle load (Unladen, Cab )	Front Axle			
		Rear Axle			
Transmission	Rated speed		rpm		
	Rated power (Driver)		kW	12	12
	Rated Torque		N·m		
	Rated power (Steering)		kW		
	Transmission gear ratio				
Battery	Voltage/Capacity		V/Ah	80V /375Ah	80V /375Ah
Charger	Voltage/Current		V/A	80V/40A	80V/40A
Steering	Hydraulic Power Steering				
Brake	Type				
	Service brake				
	Park brake				

The data is for reference only, and the details shall be subject to the actual vehicle.