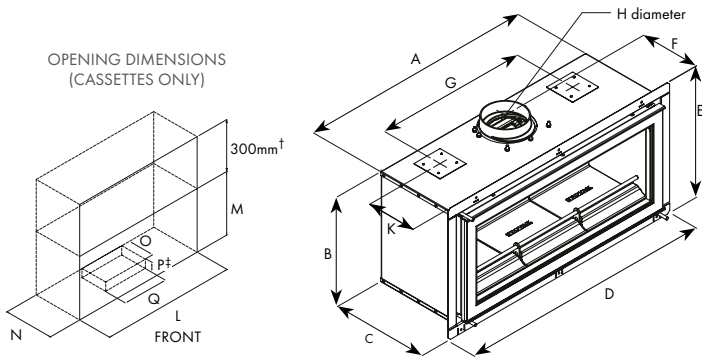


## INSERT CASSETTES



### CASSETTE DIMENSIONS

(all dimensions in mm)

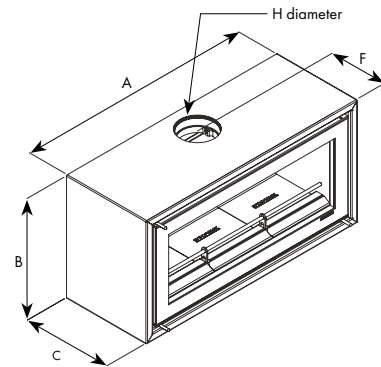
	Studio 1	Studio 2	Studio 3
A	745	950	1332
B	415	440	450
C	350	350	393
D	821	1019	1406
E	497	522	532
F	246	246	291
G	480	610	610/1010*
H $\emptyset$	153	153	153
K	240	240	275
L	755	960	1342
M	435	460	470
N	355	355	405
O	100	115	115
P	25	25	25
Q	605	750	750
Flame Viewing Window (W x H)	590 x 263	790 x 289	1177 x 286
<b>Weight</b>	<b>91Kg</b>	<b>112Kg</b>	<b>175Kg</b>

† Extra height required when fitting Warm Air Ducting kit. ‡ If a fan kit is required, please allow 250mm for fitting.

\* Studio 500 1 & 2 models have two air duct outlets whilst Studio 3 models have four.

\*\* For complementary benches to go with the Freestanding models, please see information provided on page 44.

## FREESTANDING



### FREESTANDING DIMENSIONS \*\*

	Studio 1 FS	Studio 2 FS	Studio 3 FS
	800	1000	1389
	479	504	516
	380	380	445
	-	-	-
	-	-	-
	260	260	325
	-	-	-
	153	153	153
	-	-	-
	-	-	-
	-	-	-
	-	-	-
	-	-	-
	-	-	-
	590 x 263	790 x 289	1177 x 286
<b>Weight</b>	<b>105Kg</b>	<b>130Kg</b>	<b>185Kg</b>