

GlamFire

COSMO



Bringing solar inspiration, reflected in a multiplicity of concentric rays, Cosmo is a model with strong expression and luxurious detail.

Its design and all its surroundings allow it to adapt easily to indoor and outdoor environments.

GlamFire

Glamfire, Lda.
Zona Industrial da Lagoa, Lote G1
Rua da Suíça, nº213 | 4950-850
MONÇÃO | PORTUGAL

Tel(+351) 251 654 800
Fax(+351) 251 654 801
contact@glammfire.com
www.glammfire.com

glamm
fire

GlammFire

Cosmo - Evo Round



Technical Characteristics

Fireplace

Materials // Steel or Corten Steel

Finishings // Black/white lacquered steel

Rusted corten steel

RAL (more options and finishings under consultation)

Dimensions // 1220Ø x H445 mm | 48Ø x H17,5"

Weight // 209 kg | 460 lbs

Accessories// Lower Glass - High Temperature Resistant Glass - included

Top support glass - included

Protection cover - optional

Lithium battery - included

Combustion Zone

Burner// Crea7ionEVOPlus Fire Round S

Finishings // Brushed stainless steel - optional

Black/white lacquered stainless steel

Polished stainless steel - optional

Black titanium-coated brushed stainless steel - optional

Black titanium-coated polished stainless steel - optional

Fuel // Bioethanol

Ignition Mode // Remote Control

Tank // 5 L

Power // 2,25 - 3,5 kW

Autonomy // 9 - 14 hours

GlammFire

Glammfire, Lda.
Zona Industrial da Lagoa, Lote G1
Rua da Suíça, nº213 | 4950-850
MONÇÃO | PORTUGAL

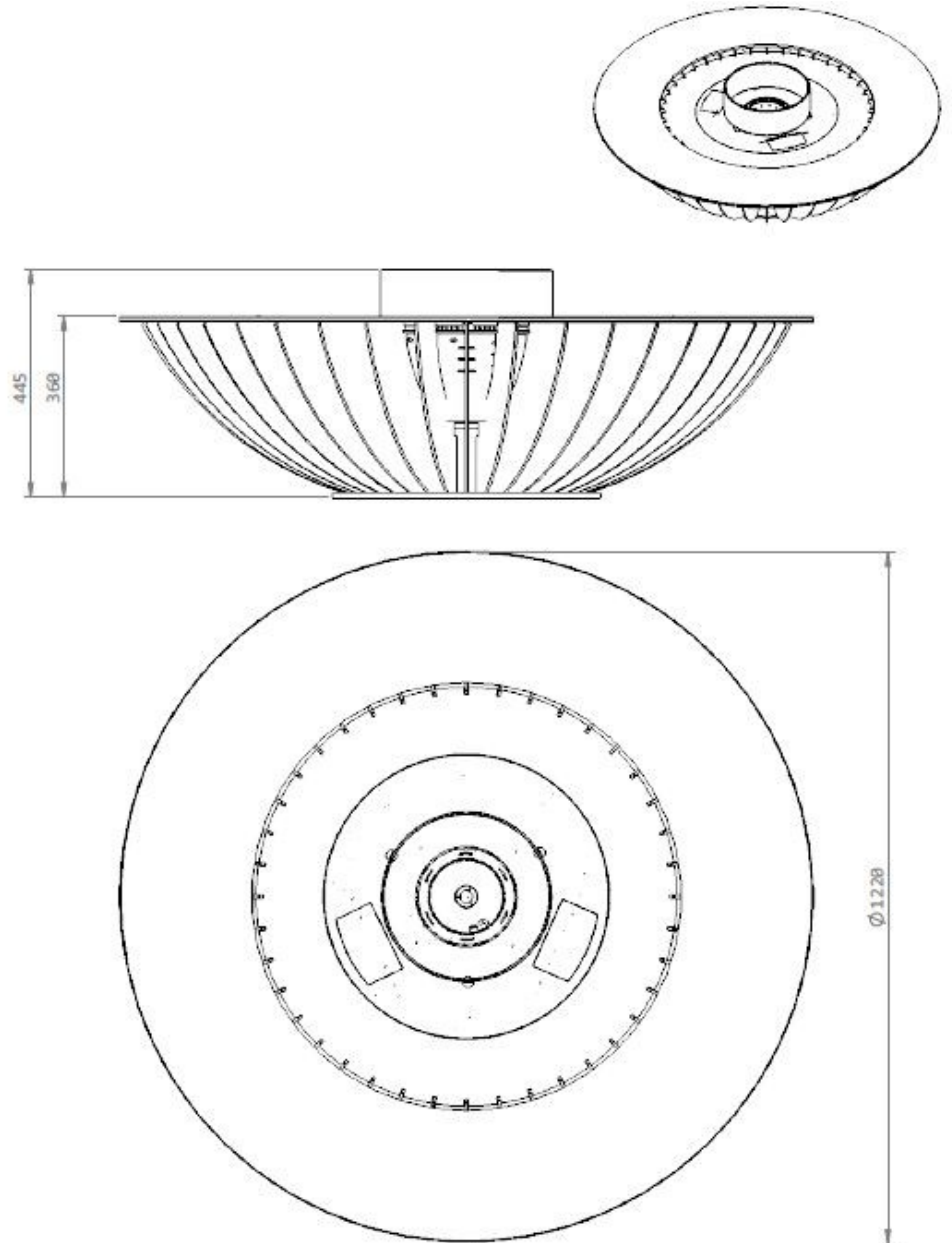
Tel(+351) 251 654 800
Fax(+351) 251 654 801
contact@glammfire.com
www.glammfire.com

glamm
fire

GlammFire

Cosmo - Evo Round

General Dimensions



GlammFire

Glammfire, Lda.
Zona Industrial da Lagoa, Lote G1
Rua da Suíça, nº213 | 4950-850
MONÇÃO | PORTUGAL

Tel(+351) 251 654 800
Fax(+351) 251 654 801
contact@glammfire.com
www.glammfire.com

PT14670-C

glamm
fire