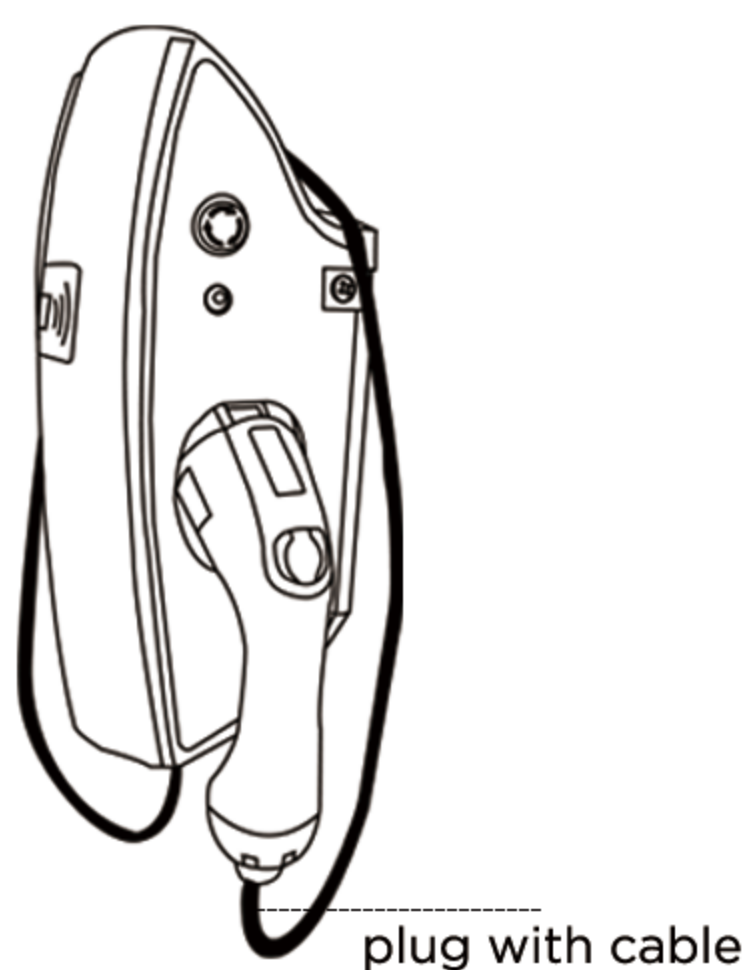


A mode 3 (IEC61851-1) fast EV charger for residential use



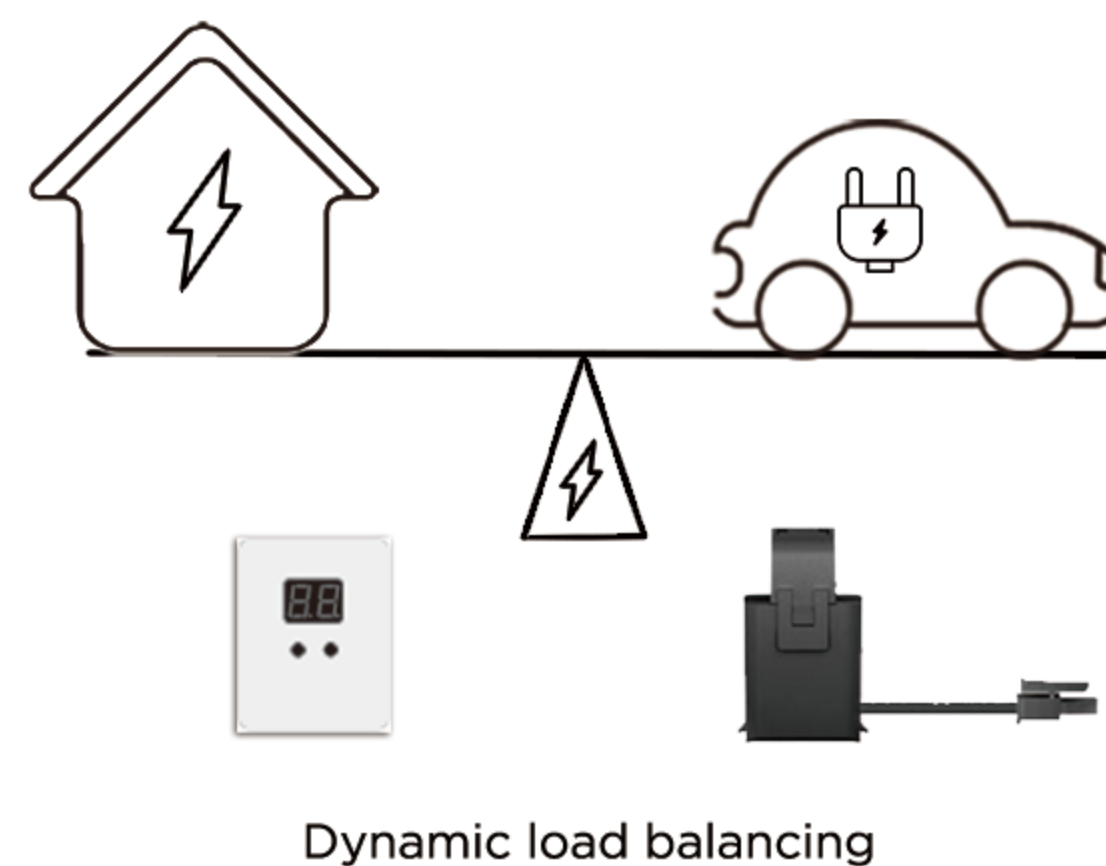
- BCP Series EV chargers have an IP65 patented design case for outdoor and indoor use.
- The type 2 (IEC 62196-2) charging connector makes highly flexible and compatible with all electric vehicles.
- Plug and start to charge automatic. (RFID card for option)
- The EV charger output power can be adjusted from 6A all the way up to 32A.



plug with cable

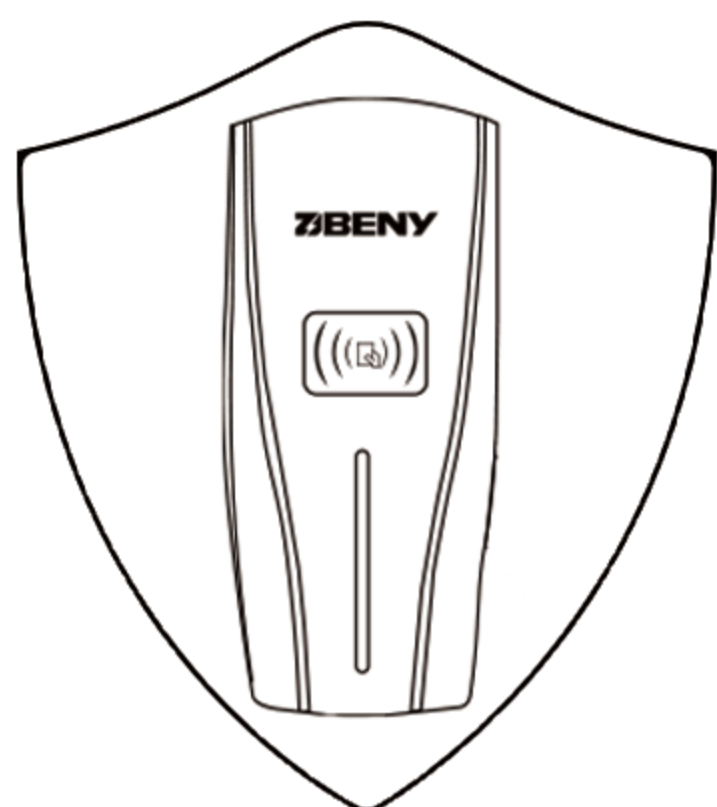
Connector

Type 2 (IEC 62196-2)
plug with cable or
socket without cable



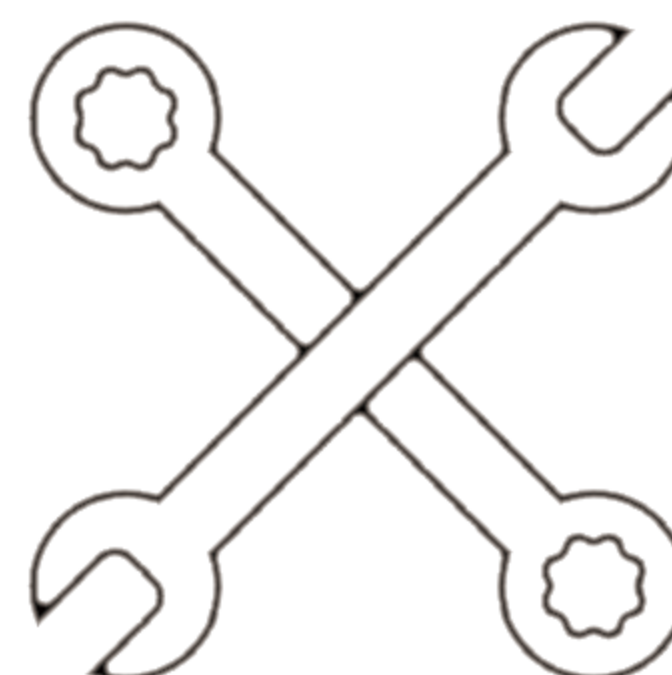
Dynamic load balancing (optional)

Thanks to the DLB box and current transformer, the EV charger with DLB function always consumes the house's power supply efficiently without costly upgrades to your building's grid connection



Full protection

Built-in Type B RCD for
leakage protection
Over Temperature
Sensor
Clip-on Grid Current
Sensor
LED Bar Indicator Light
With emergency stop
switch



5 years warranty

● Specification

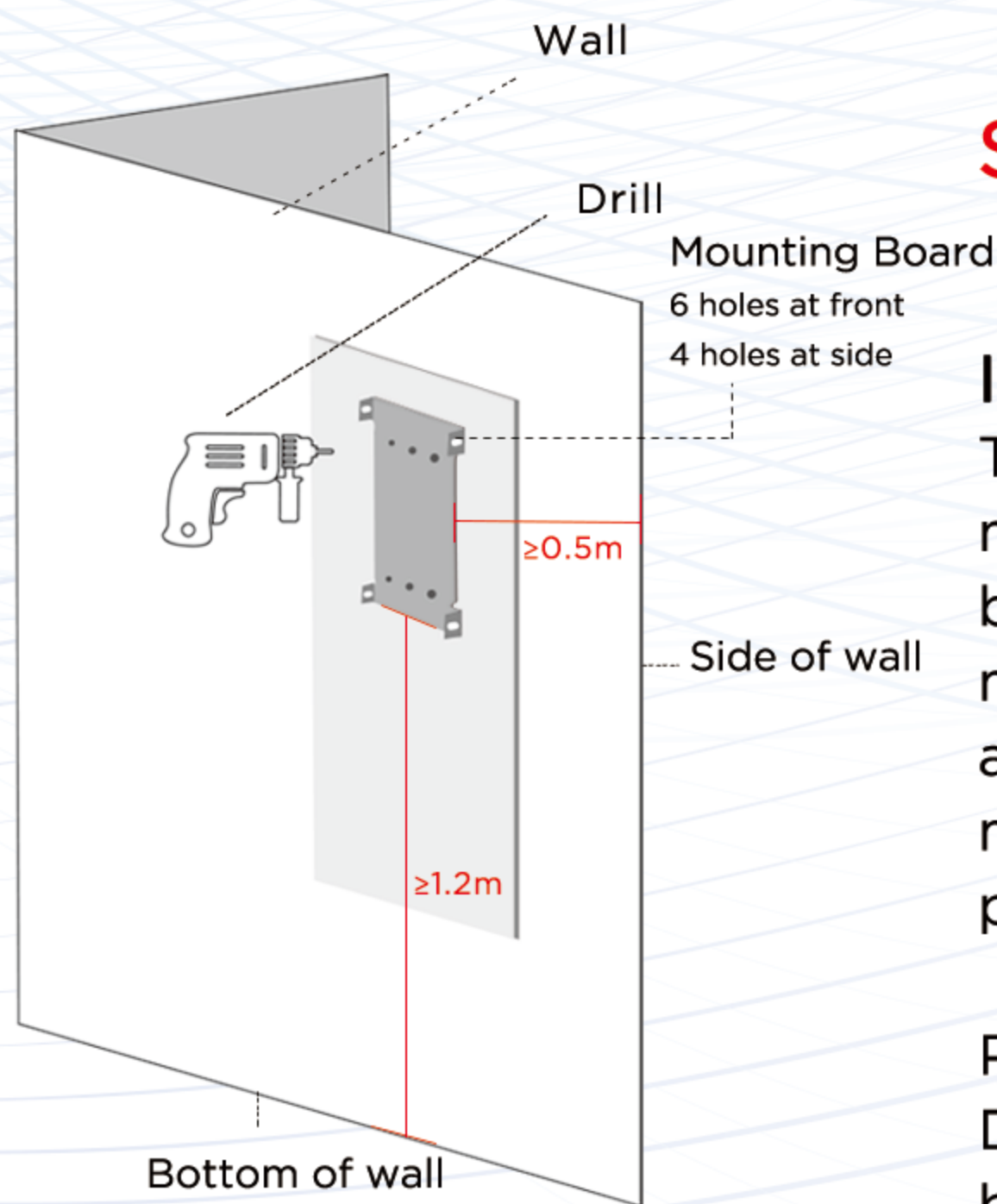


Waterproof	IP65
Installation	Wall-mounted
Standard	IEC61851-1:2019
Charging Current	6A to 32A variable
Rated Operational Voltage (Ue)	Single 220V(315%)
Max Current	32A
Power Output	1.3KW-7.0KW
Fixed Cable Length	6m (20 feet)
Operating Temperature	-25°C - +55°C
Weight	6.2kg
Dimension	380*178*151mm
Certificate	CE

● Models Selection

Models	Description
BCP-A1-L	7KW AC EV charger without RFID card
BCP-A2-L	7KW AC EV charger with RFID card
BCP-A1D-L	7KW AC EV charger with DLB function
BCP-A2D-L	7KW AC EV charger with DLB function& RFID card

● Installation

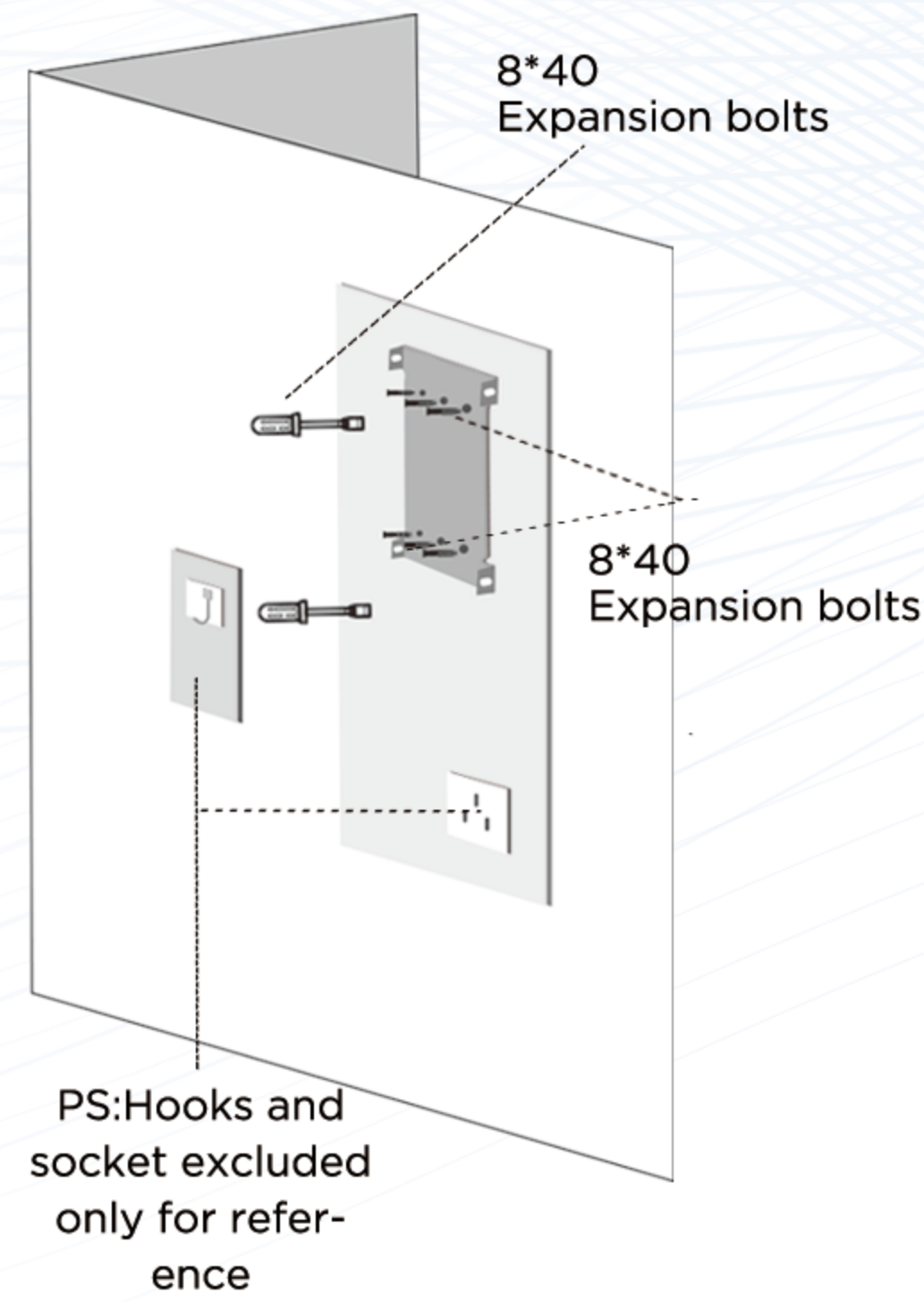


Step 1

Installation:

The distance between mounting panel and bottom needs to be more than 1.2 meters and more than 0.5 meters between the panel and side of wall

Punching:
Drill 6 holes on the board as image

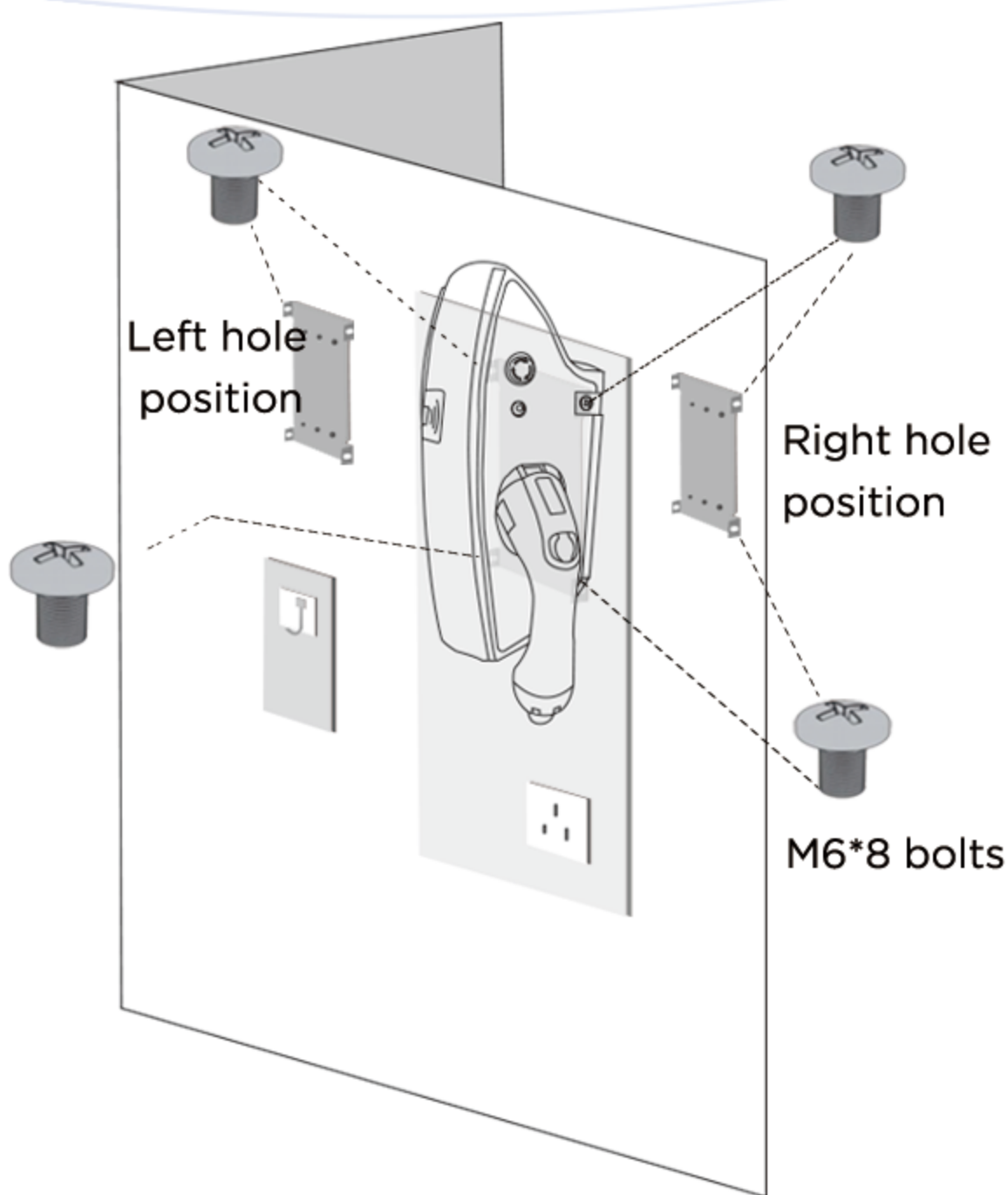


Step 2

Installation:

Insert bolts to the holes and plugged

Fixing:
Align the panel to the 6 holes accurately

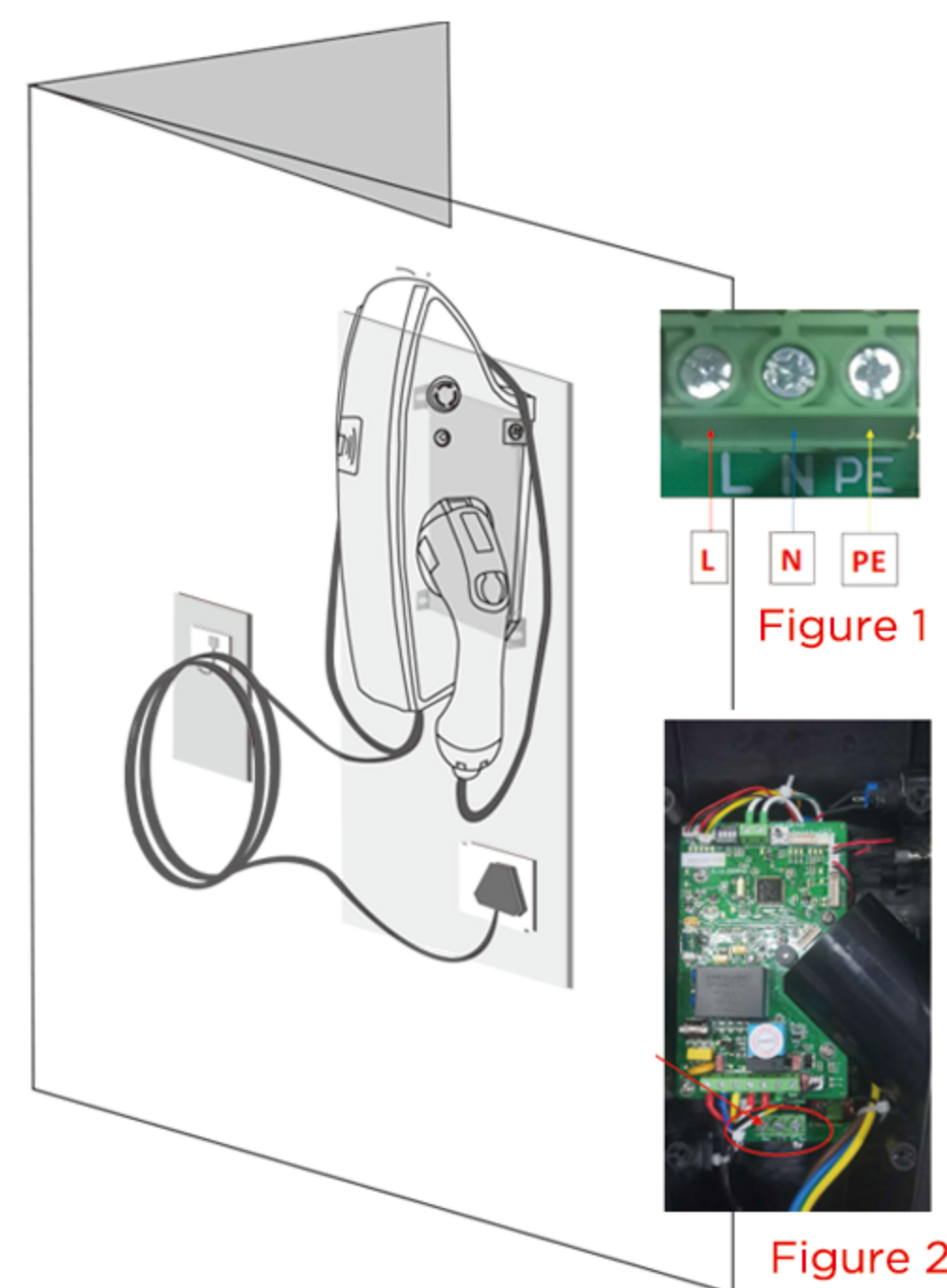


Step 3

Fixing:

Align the side hole of EV charger to the panel's side holes

Installation:
Plug the EV charger with 4 M6*8 bolts



Step 4

Connect power cord:

PS:All electrical wiring must be done by a qualified electrician and comply with all local codes and regulations. (Figure 1)

Open the cover and connect the cord to the connection terminal in accordance with figure 2