

# FLEX SERIES FIREPLACES

## SELECT YOURS IN 3 SIMPLE STEPS

### 1 Select style

#### Single Room



**Single Sided**  
Features one open side - view the flame from the front.



**Left Corner**  
Features two open sides - view the flame from the front and from the left corner.



**Right Corner**  
Features two open sides - view the flame from the front and from the right corner.



**Bay**  
Features three open sides - view the flame from the front and both left and right sides.

#### Room Divider



**Double Sided**  
Features two open sides - view the flame from the front and the back.



**Peninsula (install left or right)**  
Features three open sides - view the flame from the front, back and open side.



**Island *New!***  
Features four open sides - view the flame from the front, back, left and right sides.

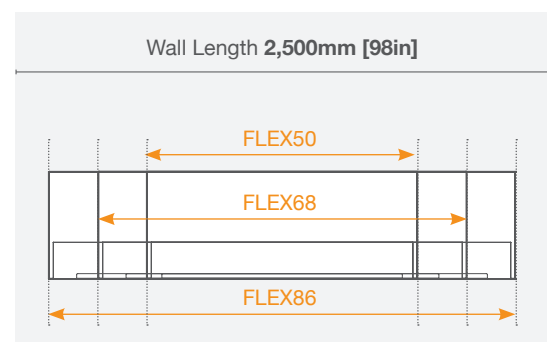


**Bench *New!***  
Features all open sides - view the flame from the top, front, back, left and right sides.

### 2 Select viewing area size

810mm 32in	1,065mm 42in	1,270mm 50in	1,730mm 68in	2,185mm 86in	2,645mm 104in
<b>FLEX32</b>	<b>FLEX42</b>	<b>FLEX50</b>	<b>FLEX68</b>	<b>FLEX86</b>	<b>FLEX104</b>

An example of selecting the ideal viewing area based on a 2,500mm [98in] wall.



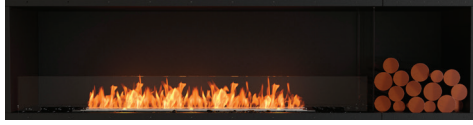
### 3 Select Configuration



Flame only



Plus 1 Decorative Box on the Left



Plus 1 Decorative Box on the Right



Plus 2 Decorative Boxes Left & Right

Steel log sets are available as an optional accessory.

## Model Information

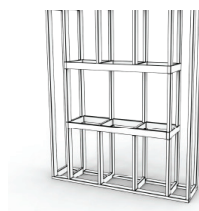
For some Flex Fireplaces you can add 1 or 2 Side Boxes without changing the total dimensions of the appliance. In those cases, the burner size will be reduced to allow space for the decorative box.

The models below are examples of configurations keeping the same burner size, and heat output.

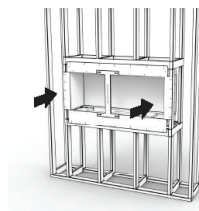
<b>Without Side Box</b>	<b>FLEX32</b>	<b>FLEX42</b>	<b>FLEX50</b>	<b>FLEX68</b>	<b>FLEX86</b>	<b>FLEX104</b>
<b>With 1 Side Box</b>	<b>FLEX50.BX</b>	<b>FLEX42</b>	<b>FLEX68.BX</b>	<b>FLEX 86.BX</b>	<b>FLEX104.BX</b>	<b>FLEX122.BX</b>
<b>With 2 Side Boxes</b>	<b>FLEX68.BX2</b>	<b>FLEX78.BX2</b>	<b>FLEX86.BX2</b>	<b>FLEX104.BX2</b>	<b>FLEX122.BX2</b>	<b>FLEX140.BX2</b>
<b>Burner Model</b>	XL500	XL700	XL900	XL1200	2 x XL900	2 x XL1200
<b>Heat Output</b>	12 MJ/h 11430 BTU/h 3.4 kW	14.50 MJ/h 13650 BTU/h 4 kW	16 MJ/h 15000 BTU/h 4.4 kW	17 MJ/h 16200 BTU/h 4.8 kW	32 MJ/h 30000 BTU/h 8.8 kW	34 MJ/h 32400 BTU/h 9.5 kW
<b>Heats on Average</b>	40m <sup>2</sup> [431f <sup>2</sup> ]	50m <sup>2</sup> [538f <sup>2</sup> ]	60m <sup>2</sup> [645f <sup>2</sup> ]	65m <sup>2</sup> [700f <sup>2</sup> ]	120m <sup>2</sup> [1290f <sup>2</sup> ]	130m <sup>2</sup> [1,399f <sup>2</sup> ]
<b>Minimum Room Size</b>	80m <sup>3</sup> [2825f <sup>3</sup> ]	90m <sup>3</sup> [3178f <sup>3</sup> ]	110m <sup>3</sup> [3884f <sup>3</sup> ]	115m <sup>3</sup> [4061f <sup>3</sup> ]	220m <sup>3</sup> [7769f <sup>3</sup> ]	230m <sup>3</sup> [8122f <sup>3</sup> ]

## Quick & Easy Installation

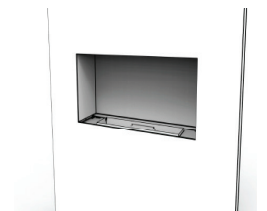
Flex Fireplaces are very simple to install. They don't require flue or chimney, nor gas or power connections. You can utilise timber frame to secure the appliance, and no insulation around the fireplace is required.



1 Construct framework



2 Add fireplace



3 Finish surround

## Included Accessories



Jerry Can, Safety Spout & e-NRG bottle adapter



Lighting Rod & Lighter



Black Glass Charcoal



Glass Fire Screen/s