



SCULPT™

FIREPLACE
COLLECTION





Intent on providing Australian's with a dynamic collection of designer fires, Sculpt Fireplace Collection has gathered not only Europe's best fireplace designs, but also fireplaces which have been manufactured with high quality materials, built to last. Our prestigious French fireplace manufacturer, Seguin Duteriez, integrates innovation, technology, environmental impact, operational expertise and quality, whilst holding design at the forefront. Seguin fireplaces add a new dimension to your home by creating the maximum of comfort, whilst capturing the perfect place for social gatherings and special moments.

Proudly manufactured in France with high quality 100% pure original cast iron, each fireplace is meticulously hand assembled. Seguin Duteriez artisans perpetuate the "Duty of Quality" with a simple objective: *"Make the fireplace the heart of your home"*.

Advantages of Seguin



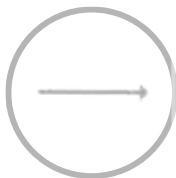
Handcrafted in France

Our exclusive Seguin fireplaces are hand crafted by artisan engineers in France for over 30 years. The traditional hand made methods provide the highest quality finish, using the most advanced technology and purest materials.



Use as a slow combustion or open fireplace

When selecting the lift door option, Seguin wood fireplaces can be used as either a slow combustion heater for practical purposes, with a longer fire term or an open fireplace for that ambient open fire experience.



Outdoor Air Intakes

An optional extra outside air connection is recommended for 6+ star rated or tightly sealed homes, where oxygen is drawn from outside and through the DAFS for combustion. This provides better efficiency and more effective combustion, thus not affecting the air quality in your home.



DAFS (Double Airflow System)

Our Seguin fireplaces are equipped with patented DAFS technology which aims to inject oxygen at a determined level inside of the combustion chamber. The supply of new oxygen will burn gases and smoke not yet burnt, preventing them from being released into the flue system. The outcome is a longer fire term, cleaner glass, and effective combustion of fire wood. (Excludes Seguin Multivision models).



The Seguin Difference

To reach outstanding performance, Seguin fireplaces are manufactured with 100% pure cast iron only. By using the highest quality raw materials, no warping of the firebox can occur and the retention of heat is also maximised due to the large fins on the outside of the firebox. It is this type of artisan engineering that allows Seguin to guarantee their fireboxes for ten years.





SEGUIN EUROPA 7 SERIES



Seguin Europa 7



Seguin Europa 7 Black Line



Contemporary meets classic with the Seguin Europa 7 series. These beautifully crafted pure cast iron wood fires are sure to add breath taking ambiance in any stylish home whether installed as a built-in or free standing fireplace. Hand made in France, the undeniable quality of the Seguin Europa 7 series will also aim to please aesthetically and burn effectively. The Europa 7 series comes with options of a swing door or swing & lift door mechanism.



Seguin Europa 7 Lift



100% Pure Cast Iron Firebox



DAFS (Double Air Flow System)



Includes Fire Grate & Ash Pan



10 Year Firebrick Warranty



Install Freestanding or Inbuilt



Optional Outdoor Air Kit

SEGUIN EUROPA 7 VL SERIES



**Seguin Europa 7 VL
Left Black Line**



**Seguin Europa 7 VL
Right Black Line**



**Seguin Europa 7
VL Black Line Lift
(Left or Right)**



The Seguin Europa 7 VL series, comes with black line glass, swing and lift door mechanism and corner glass side viewing area options. These beautifully crafted pure cast iron wood fires are sure to add breath taking ambiance in any stylish home whether installed as a built-in or free standing fireplace. The undeniable quality of the Seguin Europa 7 VL series will not only burn effectively but also aim to please aesthetically regardless of its location.



100%
100% Pure Cast
Iron Firebox



DAFS
(Double Air Flow
System)



Includes
Fire Grate
& Ash Pan



10
10 Year
Firebrick
Warranty



Install
Freestanding
or Inbuilt



Optional
Outdoor Air
Kit

SEGUIN MULTIVISION 8000 SERIES



Seguin Multivision 8000
Two Sided



Seguin Multivision 8000
3V Three Sided



Seguin Multivision 8000
Four Sided



The Seguin Multivision 8000 series is available in options of two, three and Australia's first four sided wood heater. With the various glass viewing options, it's suitable for any contemporary living space. These beautifully crafted, pure cast iron wood fires are sure to add breath taking ambiance in any stylish home whether installed as a built-in or free standing fireplace.



100% Pure Cast
Iron Firebox



Includes
Fire Grate
& Ash Pan



10 Year
Firebrick
Warranty



Install
Freestanding
or Inbuilt



Available in
multiple viewing
areas

SEGUIN VISIO 8 PLUS SERIES



Seguin Visio 8 Black Line



Seguin Visio 8 Black Line Lift

You'll never yearn again for complete harmony in your interior space once attaining one of the Seguin Visio 8 Plus fireplaces. Made in Randan, France, and constructed with pure cast iron, these classic fire boxes come equipped with the Seguin air wash system that keeps the glass clean, you'll be wanting to stay next to your new Seguin Visio 8 all winter long. You can attain this heater in options with swing door mechanism & black line glass or with swing & lift door mechanics and black line glass.



100% Pure Cast Iron Firebox



DAFS (Double Air Flow System)



Includes Fire Grate & Ash Pan



10 Year Firebrick Warranty



Install Freestanding or Inbuilt



Optional Outdoor Air Kit

SEGUIN SUPER 9 SERIES



Seguin Super 9



Seguin Super 9 Black Line Lift



Seguin Super 9 Lift



Pioneering a cast iron slow combustion wood fire to look like a modern minimalist wood heater that blends into any interior is no lack of achievement – The Seguin Super 9 series is a humble element that achieves this in any living space. Together with its patented DAFS (Double Air Flow System) and pure cast iron firebox, this series is the largest in our cast iron firebox range and accomplishes designer fireplace excellence. Available in swing door mechanism, swing & lift door mechanism, and swing & lift door mechanism with black silk screen printed glass.



100% Pure Cast Iron Firebox



DAFS (Double Air Flow System)



Includes Fire Grate & Ash Pan



10 Year Firebrick Warranty



Install Freestanding or Inbuilt



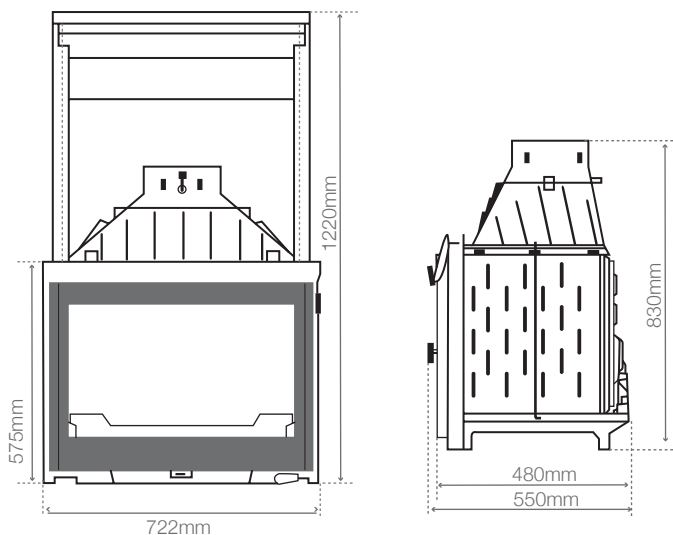
Optional Outdoor Air Kit



Combining quality craftsmanship
with exquisite design at the forefront

Seguin Multivision 8600
DSStamford Valley 40

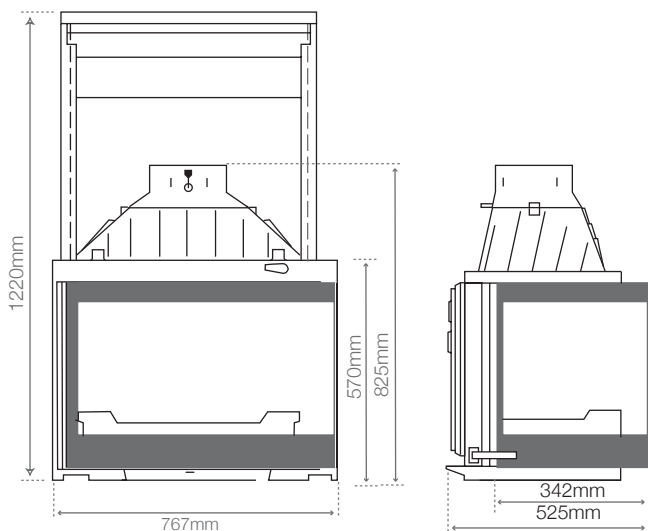
SEGUIN Specifications



Europa 7 Evolution Series

Material	100% pure cast iron, 8-12mm thickness
KW output	17.9kw
Heating capacity	Up to 150m ² -250m ² *
Facade	Clean frame-less design (trim options available)
Glass door	Secure lift up and swing door
Minimum flue height	4.6m
Flue sizes	200mm, 250mm, 300mm
Includes hot air transfer kit	A duct and a register
Outside air kit	Recommended for well insulated homes
Warranty	10 year firebox warranty**
Weight	170kg
Hearth dimensions*	min 500mm in front of any part of the fireplace, 250mm on either side & 75mm thick

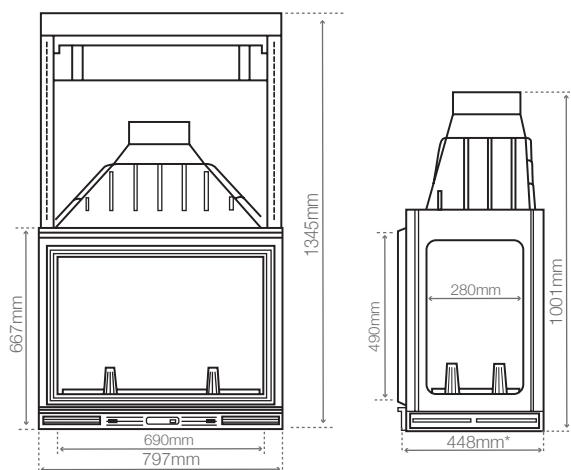
*Dimensions shown include the lift up door option, exclude these dimensions for swing door version. Hearth dimensions are for inbuilt models only. Depth of unit subject to DAFS adaptation, see installation manual for more information.



Seguin Europa 7 Evolution VL Series

Material	100% pure cast iron, 8-12mm thickness
KW output	17.9kw
Heating capacity	Up to 50m ² -200m ² *
Facade	Clean frame-less design (trim options available)
Glass door	Secure lift up and swing door
Minimum flue height	4.6m
Flue sizes	200mm, 250mm, 300mm
Includes hot air transfer kit	A duct and a register
Outside air kit	Recommended for well insulated homes
Warranty	10 year firebox warranty**
Weight	170kg
Hearth dimensions*	min 500mm in front of any part of the fireplace, 250mm on either side & 75mm thick

*Dimensions shown include the lift up door option, exclude these dimensions for swing door version. Hearth dimensions are for inbuilt models only. Depth of unit subject to DAFS adaptation, see installation manual for more information.

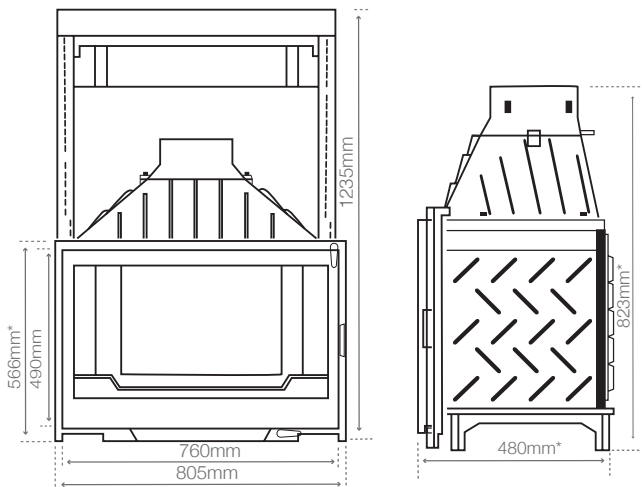


Seguin Multivision 8000 Series

Material	100% pure cast iron, 8-12mm thickness
KW output	16.5kW (4 Sided Model)
Heating capacity	Up to 50m ² -250m ² *
Facade	Clean frame-less design (no trim)
Glass door	Secure lift up and swing door
Minimum flue height	4.6m
Flue sizes	250mm, 300mm, 350mm
Includes hot air transfer kit	A duct and a register
Outside air kit	Recommended for well insulated homes
Warranty	10 year firebox warranty**
Weight	230kg
Hearth dimensions*	min 500mm in front of any part of the fireplace, 250mm on either side & 75mm thick

*Dimensions shown include the lift up door option, exclude these dimensions for swing door version. Hearth dimensions are for inbuilt models only. Depth of unit subject to DAFS adaptation, see installation manual for more information.

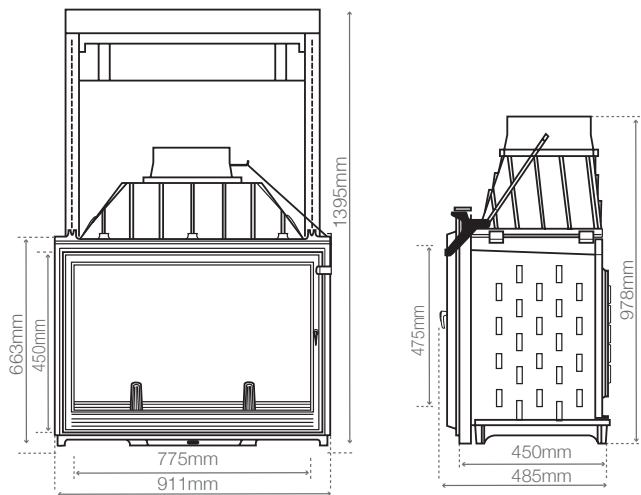
SEGUIN Specifications



Seguin Visio 8 Plus *Series*

Material	100% pure cast iron, 8-12mm thickness
KW output	27.8kw
Heating capacity	Up to 140m ² -340m ² *
Facade	Clean frame-less design (trim options available)
Glass door	Secure lift up and swing door
Minimum flue height	4.6m
Flue sizes	200mm, 250mm, 300mm
Includes hot air transfer kit	A duct and a register
Outside air kit	Recommended for well insulated homes
Warranty	10 year firebox warranty**
Weight	190kg
Hearth dimensions*	min 500mm in front of any part of the fireplace, 250mm on either side & 75mm thick

*Dimensions shown include the lift up door option, exclude these dimensions for swing door version. Hearth dimensions are for inbuilt models only. Depth of unit subject to DAFS adaptation, see installation manual for more information.



Seguin Super 9 *Series*

Material	100% pure cast iron, 8-12mm thickness
KW output	26kw
Heating capacity	Up to 100m ² -300m ² *
Facade	Clean frame-less design (trim options available)
Glass door	Secure lift up and swing door
Minimum flue height	4.6m
Flue sizes	250mm, 300mm, 350mm
Includes hot air transfer kit	A duct and a register
Outside air kit	Recommended for well insulated homes
Warranty	10 year firebox warranty**
Weight	250kg
Hearth dimensions*	min 500mm in front of any part of the fireplace, 250mm on either side & 75mm thick

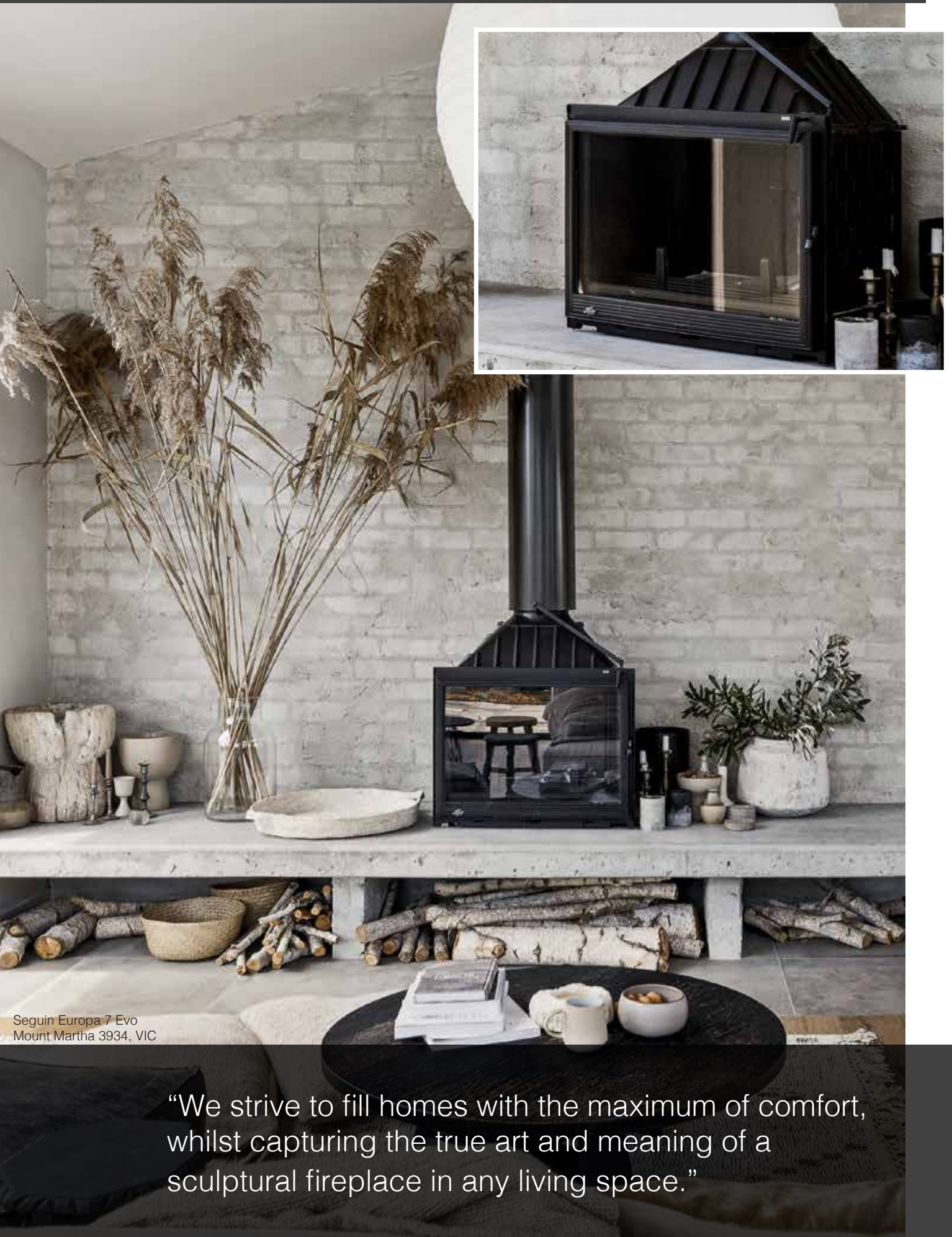
*Dimensions shown include the lift up door option, exclude these dimensions for swing door version. Hearth dimensions are for inbuilt models only. Depth of unit subject to DAFS adaptation, see installation manual for more information.

* Heating capacity of the following appliances are a guide only and refers to areas with 2.4m ceilings and 6 or more star rated buildings. Heating output may vary depending on factors such as building characteristics, quality of insulation, type of firewood used and climate zone.

** See warranty section in the installation manual for further details.

DISCLAIMER: *All heating capacities listed in this brochure are a guide only and refers to areas with 2.4m ceilings and 6 or more star rated buildings. Heating output may vary depending on factors such as building characteristics, quality of insulation, type of firewood used and climate zone. All dimensions shown are approximate. Check all dimensions accurately prior to installation. In line with our policy of continuous improvement, we reserve the right to alter specifications without notice.

E&OE Images and diagrams are for illustration purposes only. Sculpt reserves the right to change these specifications without prior notice. This information does not replace the installation manual which provides more in depth information. Must be installed in a full masonry enclosure as per Australian & New Zealand standards AS/NZS 2918:2001. All rights retained © Copyright 2022 Sculpt Fireplace Collection (ACN: 169053883)



Seguin Europa 7 Evo
Mount Martha 3934, VIC

“We strive to fill homes with the maximum of comfort, whilst capturing the true art and meaning of a sculptural fireplace in any living space.”

SEGUIN Projects



Fire has captivated the human imagination for eons, as it maintains its significance as the heart of many homes and commercial buildings across the globe.

Exceptional design coupled with refined materials, our fireplace collection showcases the perfect merging of style and function, hand-made in the heart of France for the heart of your home.



Seguin Multivision 8000 4 Sided
Mount Martha 3934, VIC.

SCULPTTM

FIREPLACE
COLLECTION

1300 851 304
info@sculptfireplaces.com.au
www.sculptfireplaces.com.au

