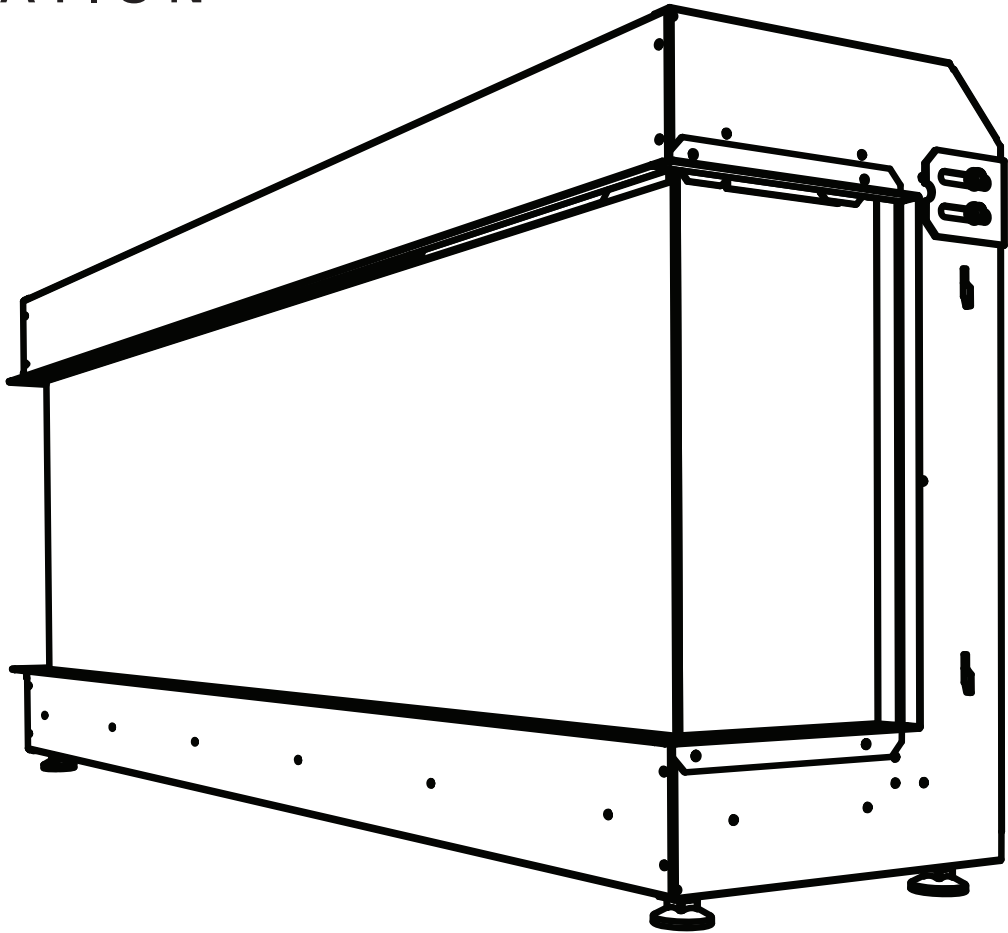


iléktró

USER INSTRUCTIONS AND INSTALLATION



IMPORTANT

THE HEATER OUTLET GRILLE BECOMES VERY HOT WHILST IN OPERATION.
DO NOT COVER THE OUTLET GRILLE OR ANY PART OF THE APPLIANCE.
FOR USE WITH 230V - 240V 50HZ ELECTRICITY SUPPLY ONLY.
PLEASE READ THESE INSTRUCTIONS CAREFULLY BEFORE INSTALLATION
KEEP THE INSTRUCTIONS IN A SAFE PLACE.
THEY WILL BE NEEDED WHEN MAINTENANCE OR SERVICING IS REQUIRED.
THIS APPLIANCE MUST BE EARTHED



PAUL AGNEW | DESIGNS

USER MANUAL

CONTENTS

THIS MANUAL COVERS THE FOLLOWING MODELS ONLY:

750L, 750A, 750S, 950L, 950A 950S
1250 L, 1250S, 1650 L, 2000 L

A - ASPECT

L - LANDSCAPE

S - SUITE

HOW TO USE YOUR APPLIANCE

- | | |
|---------------------------------|---|
| 1. IMPORTANT SAFETY INFORMATION | 2 |
| 2. OPERATING INSTRUCTIONS | 4 |
| 3. MAINTENANCE AND CARE | 8 |

HOW TO INSTALL YOUR APPLIANCE

- | | |
|----------------------------|----|
| 4. TECHNICAL SPECIFICATION | 10 |
| 5. GENERAL INSTALLATION | 11 |
| 6. CONFIGURING YOUR WINDOW | 12 |
| 7. INSTALLATION | 13 |
| 9. SETTING THE FUEL BED | 15 |
| 10. ELECTRICAL CONNECTION | 17 |

SERVICING INSTRUCTIONS

- | | |
|-------------------------------|----|
| 11. GENERAL INFORMATION | 18 |
| 12. FAULT FINDING | 19 |
| 13. SERVICING REQUIREMENTS | 20 |
| 14. REMOVING THE GLASS | 21 |
| 15. REPLACING FUEL BED LEDS | 23 |
| 16. REPLACING THE POWER PLATE | 24 |
| 17. REMOVING TOP LED BAR | 25 |
| 18. REMOVING THE INNER SCREEN | 25 |
| 19. REMOVING THE FAN ASSEMBLY | 26 |
| 20. REMOVING THE HEATER | 27 |

REFERENCE INFORMATION

- | | |
|-----------------------------|----|
| 21. WIRING DIAGRAM | 28 |
| 22. APPLIANCE DIMENSIONS | 29 |
| 23. ENCLOSURE DIMENSIONS | 30 |
| 24. INFORMATION REQUIREMENT | 31 |



Living Fire - 361 Swan Street Richmond VIC 3121 - Australia
Copyright © 2019 Living Fire

FULL TERMS AND CONDITIONS ARE DETAILED IN THE WARRANTY STATEMENT ON THE LIVING FIRE WEBSITE LIVINGFIRE.COM.AU. IN THE EVENT OF ANY CONFLICT OF INFORMATION THE WORDING ON THE WEBSITE SHALL PREVAIL. IMPORTANT NOTE: SHOULD ANY PROBLEMS BE EXPERIENCED WITH YOUR PRODUCT, CLAIMS MUST FIRST BE SUBMITTED TO THE RETAILER WHERE THE APPLIANCE WAS PURCHASED FROM WHO WILL OFFER IMMEDIATE ASSISTANCE.



HOW TO USE YOUR APPLIANCE

1. IMPORTANT SAFETY INFORMATION

- READ ALL OF THE INSTRUCTIONS CAREFULLY BEFORE USING THE APPLIANCE. INSTRUCTIONS ARE AVAILABLE ONLINE AT WWW.PAULAGNEWDESIGNS.COM
- REMOVE ALL PACKAGING AND DISPOSE OF AT AN APPROPRIATE RECYCLING FACILITY.
- DO NOT LOCATE THIS APPLIANCE IMMEDIATELY BELOW A FIXED SOCKET
- DO NOT USE THIS APPLIANCE IN THE IMMEDIATE SURROUNDINGS OF A BATH, SHOWER, SWIMMING POOL OR ANY OTHER AREA WHERE THE APPLIANCE COULD COME INTO CONTACT WITH WATER OR HUMIDITY, E.G. A BATHROOM.
- DO NOT ALLOW THE APPLIANCE TO BE COVERED OR LET THE AIR INLET/OUTLET BECOME OBSTRUCTED AS THE APPLIANCE MAY OVERHEAT. PLEASE NOTE THE WARNING SYMBOL ON THE APPLIANCE. FOR INDOOR USE ONLY. THIS APPLIANCE IS NOT SUITABLE FOR USE OUTSIDE THE HOUSE.
- KEEP THE POWER CORD AWAY FROM HOT SURFACES AND HOT CONDITIONS. DO NOT ROUTE THE POWER LEAD IN FRONT OF THE APPLIANCE.
- THIS APPLIANCE MUST BE INSTALLED IN A PURPOSE BUILT STUD-WORK ENCLOSURE OR A SUITABLY PREPARED FIREPLACE
- . ENSURE THE APPLIANCE IS LEVEL AND THAT FURNITURE, CURTAINS ETC. ARE POSITIONED NO CLOSER THAN 1M.
- WHEN THE APPLIANCE HAS BEEN INSTALLED THE POSITION OF THE PLUG MUST BE ACCESSIBLE OR AN ISOLATION SWITCH WILL BE INSTALLED AWAY FROM THE APPLIANCE..
- WHERE THE ELECTRICITY SUPPLY CABLE HAS TO PASS THROUGH A MASONRY WALL, STONE SURROUND ETC. ENSURE SUITABLE RUBBER BUSHES ARE FITTED AT POSSIBLE WEAR POINTS.
- **NEVER** LEAVE CHILDREN UNSUPERVISED WITH AN UNGUARDED HEATER.
- **NEVER** OBSTRUCT OR COVER THE HEATER OUTLET.
- **NEVER** INSTALL OR USE THIS PRODUCT WHERE IT MAY COME IN CONTACT WITH WATER I.E. A BATHROOM OR WET ROOM.
- **NEVER** USE AEROSOLS OR STEAM CLEANERS NEAR THIS PRODUCT.
- **NEVER** ROUTE THE ELECTRIC CABLE NEAR THE HEATER OUTLET.
- **NEVER** ROUTE THE ELECTRIC CABLE UNDER CARPETS OR FLOOR COVERINGS.
- **NEVER** INSTALL THIS PRODUCT CLOSE TO CURTAINS OR COMBUSTIBLE MATERIALS.
- **NEVER** USE THE HEATER TO DRY CLOTHES OR OTHER OBJECTS.
- **NEVER** REMOVE THE FIREPLACE SURROUNDING WITHOUT ISOLATING THE ELECTRIC SUPPLY.

HOW TO USE YOUR APPLIANCE

1. IMPORTANT SAFETY INFORMATION

- IF THE ELECTRICITY SUPPLY CABLE IS DAMAGED DO NOT USE THE APPLIANCE UNTIL IT HAS BEEN REPLACED. FOR SAFETY REASONS THE REPLACEMENT HAS TO BE CARRIED OUT BY A SERVICE AGENT OR A SIMILARLY COMPETENT ELECTRICIAN.
- CAUTION: IN ORDER TO AVOID A HAZARD DUE TO INADVERTENT RESETTING OF THE THERMAL CUT OUT, THIS APPLIANCE MUST NOT BE SUPPLIED THROUGH AN EXTERNAL SWITCHING DEVICE, SUCH AS A TIMER, OR CONNECTED TO A CIRCUIT THAT IS REGULARLY SWITCHED ON AND OFF BY THE UTILITY
- DO NOT OPERATE THE APPLIANCE IF IT IS DAMAGED.
- REPAIRS OF ELECTRICAL APPLIANCES MUST ONLY BE PERFORMED BY AN ELECTRICAL ENGINEER. SHOULD THE APPLIANCE FAIL TO OPERATE, OR IN CASE OF ANY DAMAGE, PLEASE CONTACT THE RETAILER FROM WHOM THE APPLIANCE WAS PURCHASED.
- **CAUTION:** SOME PARTS OF THIS PRODUCT CAN BECOME VERY HOT AND CAUSE BURNS. PARTICULAR ATTENTION MUST BE GIVEN WHERE CHILDREN AND VULNERABLE PEOPLE ARE PRESENT.
- CHILDREN AGED FROM 3 YEARS AND LESS THAN 8 YEARS SHALL ONLY SWITCH ON/OFF THE APPLIANCE PROVIDED THAT IT HAS BEEN PLACED OR INSTALLED IN ITS INTENDED NORMAL OPERATING POSITION AND THEY HAVE BEEN GIVEN SUPERVISION OR INSTRUCTION CONCERNING USE OF THE APPLIANCE IN A SAFE WAY AND UNDERSTAND THE HAZARDS INVOLVED. CHILDREN AGED FROM 3 YEARS AND LESS THAN 8 YEARS SHALL NOT PLUG IN, REGULATE AND CLEAN THE APPLIANCE OR PERFORM USER MAINTENANCE

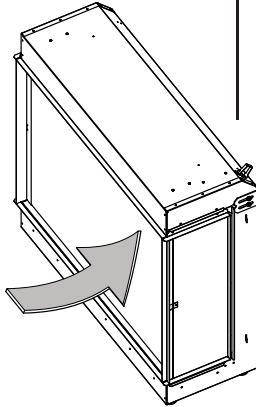
IF YOU ARE INSTALLING YOUR APPLIANCE IN TO AN EXISTING CHIMNEY CAVITY

- ENSURE THE FLOOR AREA THE APPLIANCE WILL SIT ON IS FLAT AND FREE FROM LOOSE MATERIAL
- ENSURE THE FLUE OUT FROM THE CHIMNEY CAVITY IS SEALED
- IN ORDER TO INSTALL YOUR APPLIANCE EFFECTIVELY DISCUSS WITH YOUR SELLER THE SURROUND NEEDED TO ENCLOSE YOUR APPLIANCE INTO THE INSTALLATION LOCATION
- TO PROVIDE POWER TO THE APPLIANCE INSTRUCT A QUALIFIES ELECTRICIAN TO INSTALL AND POWER SOCKET INSIDE THE CHIMNEY CAVITY, ENSURING THERE IS AN ISOLATION SWITCH ACCESSIBLE OUTSIDE THE CAVITY

HOW TO USE YOUR APPLIANCE
2. OPERATING INSTRUCTIONS

- WARNING -
PARTS OF THE PRODUCT
MAY GET HOT DURING
OPERATION

TO TURN THE APPLIANCE ON I/O
OPERATE THE STANDBY SWITCH
LOCATED ON THE RIGHT HAND
SIDE UNDER THE FRONT TRIM,
HERE ON YOUR APPLIANCE:



THE FLAME EFFECT CAN BE
TURNED ON/OFF USING THE REMOTE. WHEN
THE FLAME EFFECT IS OFF THE APPLIANCE
REMAINS IN STANDBY.
THE APPLIANCE CAN BE OPERATED BY THE
RADIO FREQUENCY HANDSET ONLY.

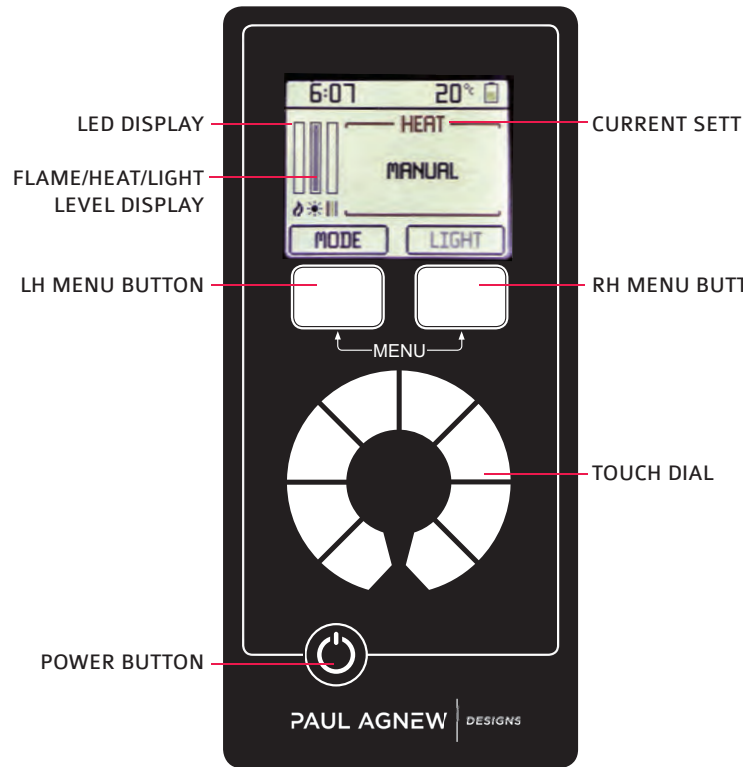
THE FOLLOWING FUNCTIONS CAN BE
CONTROLLED USING THE REMOTE HANDSET:

- ON/OFF - FLAME EFFECT
- HEAT SETTINGS
- BRIGHTNESS OF THE FUEL AND FLAME
EFFECT
- FLAME DUO COLOUR
- FUEL BED COLOUR
- THE FLAME EFFECT CAN BE TURNED OFF
USING THE REMOTE,
- RETURNING THE APPLIANCE TO STANDBY.

TURNING ON THE APPLIANCE

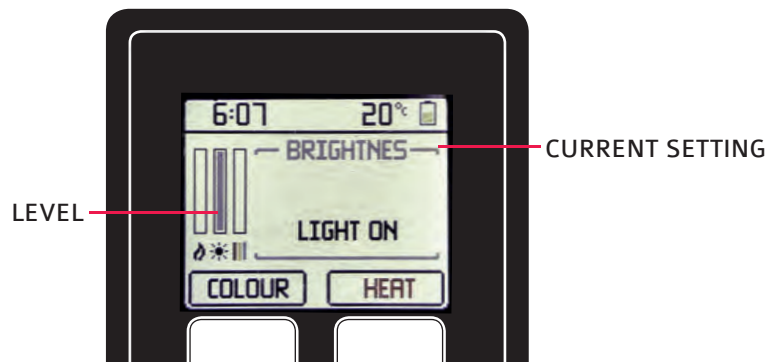
IF YOU DO NOT USE THE APPLIANCE AND
HANDSET FOR 2 MINUTES THE HANDSET WILL
GO INTO SLEEP MODE. PRESS THE
POWER BUTTON TO REACTIVATE.

TURN THE APPLIANCE ON AND OFF BY USING
THE REMOTE HANDSET. PRESS THE POWER
BUTTON TO EXIT SLEEP MODE. ONCE OUT
OF SLEEP MODE PRESS THE POWER BUTTON
AGAIN TO TURN ON.



CONTROLLING THE APPLIANCE
PRESS THE MENU BUTTONS TO SELECT THE
MODES YOU WANT TO CONTROL
HEAT - LIGHT - FLAME - EFFECT

TO ADJUST THE FLAME BRIGHTNESS
ENSURE 'LIGHT' SETTING IS SELECTED.



ROTATE FINGER ON THE TOUCH DIAL
ROTATE CLOCKWISE TO INCREASE
ROTATE ANTI CLOCKWISE TO DECREASE



HOW TO USE YOUR APPLIANCE
2. OPERATING INSTRUCTIONS

TO ADJUST THE LIGHT EFFECT

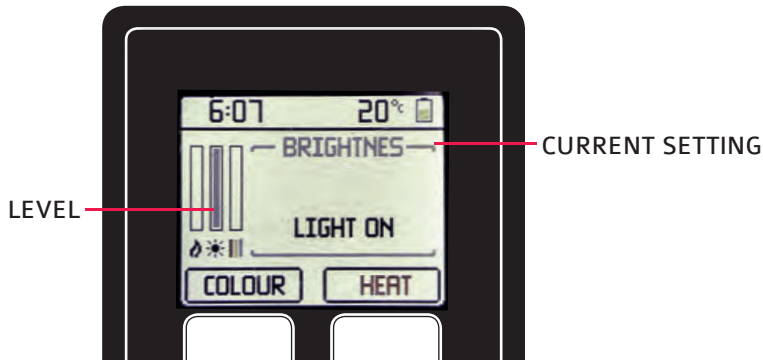
SELECT 'EFFECT' SETTING WHILE IN LIGHT MODE.

THE LH MENU BUTTON WILL SWITCH THE EFFECT ON.

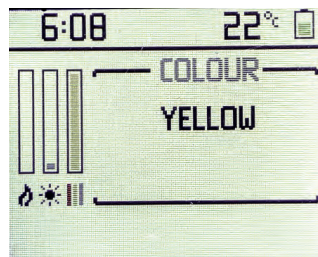
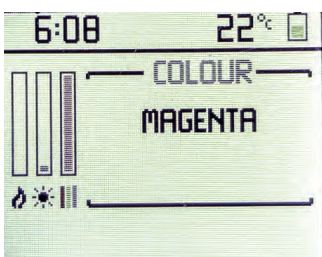
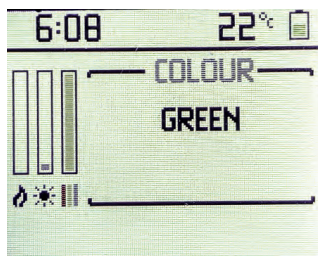
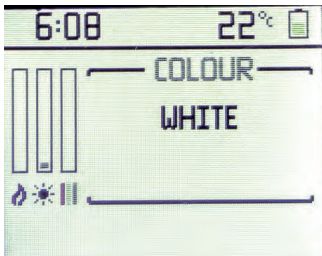
ROTATING THE DIAL OR PRESSING THE MENU BUTTONS WILL EXIT THE EFFECT MODE. THE EFFECT MODE IS INDICATED BY A DASHED BAR, THE LIGHT LEVEL IS INDICATED BY A SOLID BAR.

TO ADJUST THE FUEL AND FLAME COLOUR

PRESS THE LH MENU BUTTON TO SELECT THE COLOUR OPTION

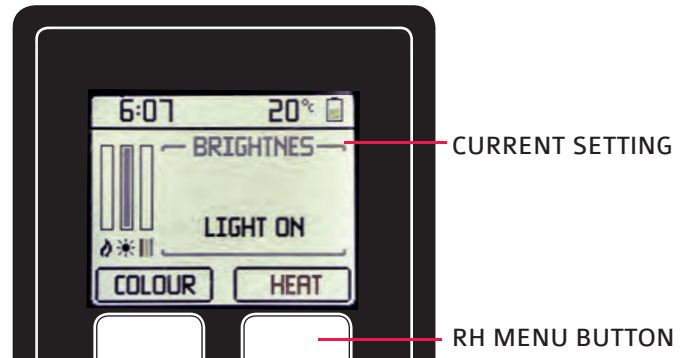


ROTATE THE TOUCH DIAL TO CHOOSE YOUR COLOUR



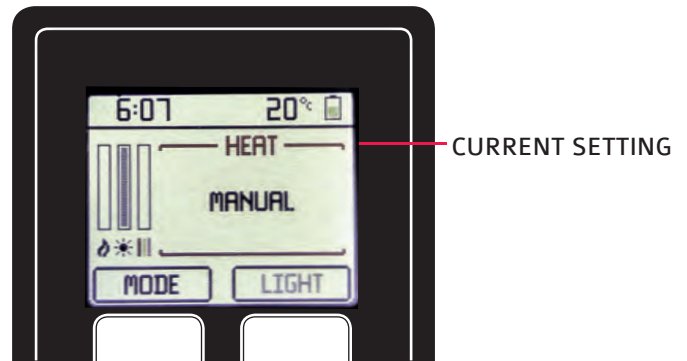
HEAT SETTINGS

PRESS THE RH MENU BUTTON TO SELECT THE HEAT CONTROL



PRESS THE LH MENU BUTTON TO SWITCH BETWEEN THE 3 MODES:

- MODE 1 MANUAL
- MODE 2 THERMOSTATIC
- MODE 3 7 DAY TIMER



MANUAL MODE

THE HEAT SETTING IS INDICATED BY A RED BAR. ADJUST HEAT BY ROTATING FINGER ON THE TOUCH DIAL. CLOCKWISE INCREASES THE TEMPERATURE AND ANTI CLOCKWISE DECREASES THE TEMPERATURE UNTIL HEAT IS TURNED OFF.

THERMOSTATIC MODE

WHEN SET IN THERMOSTATIC MODE JUST A TEMPERATURE IS DISPLAYED ON SCREEN. ROTATE TOUCH DIAL CLOCKWISE TO INCREASE TEMPERATURE SETTING AND ANTI-CLOCKWISE TO DECREASE TEMPERATURE SETTING. THE HEATER WILL AUTOMATICALLY MAINTAIN THE SET TEMPERATURE.

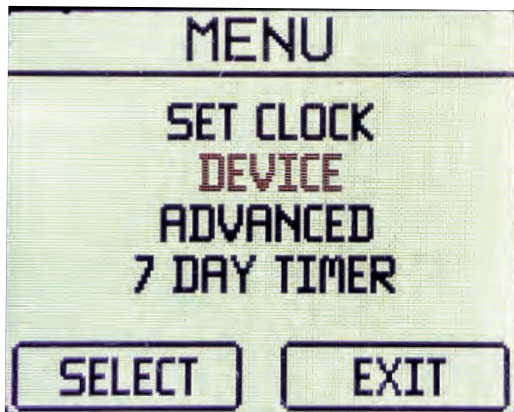
7 DAY TIMER

IN 7 DAY TIMER MODE THE CURRENT TEMPERATURE AND THE NEXT TIME AND TEMPERATURE ,IS DISPLAYED, SEE MENU SETTINGS.

HOW TO USE YOUR APPLIANCE
2. OPERATING INSTRUCTIONS

MENU SETTINGS

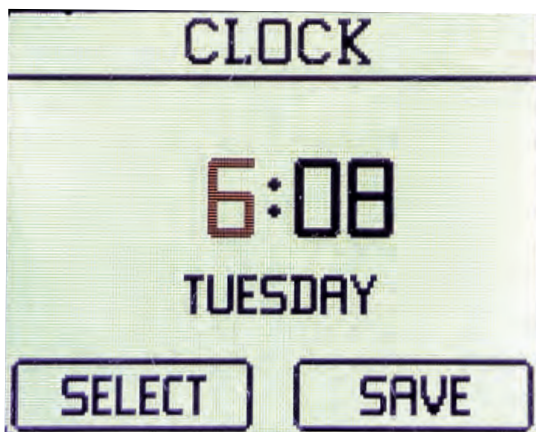
PRESS BOTH MENU BUTTONS UNTIL A MENU APPEARS AT TOP OF SCREEN. 4 SCREEN OPTIONS WILL APPEAR.



TO SELECT OPTIONS ROTATE DIAL UNTIL HIGHLIGHTED IN RED AND PRESS SELECT.

SET THE CLOCK

SELECT CLOCK IN THE OPTION MENU AND ROTATE TOUCH DIAL UNTIL DESIRED TIME IS DISPLAYED.



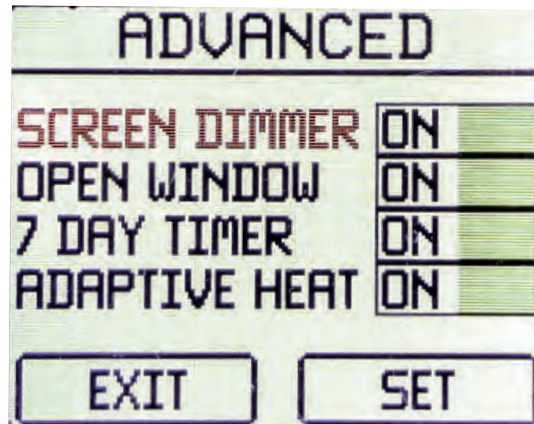
BY PRESSING SELECT IT CHANGES FROM HOURS, MINUTES AND DAYS. WHEN CORRECT TIME HAS BEEN SET PRESS THE RH MENU BUTTON TO SAVE.

DEVICE

USED TO DISCONNECT THE REMOTE FROM THE FIRE, SEE SEPARATE INSTRUCTIONS ON PAGE 9.

ADVANCED

USED TO TURN ON OR OFF THE DIMMER, 7 DAY TIMER, AND ADAPTIVE HEAT FUNCTIONS.



7 DAY TIMER

USED TO SET THE 7 DAY TIMER.

TO SET THE 7 DAY TIMER:

ROTATE THE TOUCH DIAL AND PRESS THE LH MENU BUTTON TO SELECT THE DESIRED DAY (HIGHLIGHTED IN RED).

USE THE TOUCH DIAL TO ALTER THE SELECTED HEATING PERIOD (AVAILABLE IN 10 MINUTE INCREMENTS).

PRESS THE LH MENU BUTTON AGAIN TO SET THE TIME AND USE THE TOUCH DIAL TO ALTER THE SELECTED TEMPERATURE. PRESS THE LH MENU BUTTON TO SET THE TEMPERATURE. REPEAT FOR REMAINING HEATING PERIODS.

ONCE COMPLETED, PRESS THE LH MENU BUTTON TO CONFIRM HEATING PERIODS FOR THAT DAY. THE DAY WILL BE HIGHLIGHTED IN RED. USE THE TOUCH DIAL TO SELECT THE NEXT DAY YOU WISH CHANGE. PRESS THE LH MENU BUTTON TO APPLY A NEW SET OF HEATING PERIODS. PRESS THE RH MENU BUTTON TO COPY THE SAME SETTINGS ENTERED FOR THE PREVIOUS DAY.

NOTE: PRESSING THE RH MENU BUTTON WILL AUTOMATICALLY ADVANCE THE 7 DAY TIMER MENU 1 DAY. ONCE SETTINGS FOR ALL 7 DAYS HAVE BEEN ENTERED, ROTATE THE TOUCH DIAL TO MOVE BEYOND SUNDAY UNTIL THE PROMPT TO SAVE AND EXIT APPEARS. USE THE LH MENU BUTTON TO SELECT SAVE AND EXIT.

HOW TO USE YOUR APPLIANCE
2. OPERATING INSTRUCTIONS

OTHER ADVANCED FUNCTIONS

DIMMER

THIS FUNCTION DIMS THE SCREEN OF THE HANDSET. TO DIM OR LIGHTEN THE SCREEN PRESS BOTH MENU BUTTONS UNTIL THE MENU OPTION APPEARS. PRESS HOLD THE POWER BUTTON AT ANY TIME WHILST IN THE MENU.

TO ENABLE OR DISABLE THE DIMMER FUNCTION ENTER THE MENU FUNCTION AND SELECT THE DIMMER OPTION AND PRESS SET.

ADAPTIVE HEAT

IF SWITCHED ON THE APPLIANCE SAVES POWER BY PREDETERMINING THE OPTIMUM TIME TO SWITCH ON THE HEAT AND THE LEVEL OF HEATING REQUIRED TO REACH A PRE SET TEMPERATURE AT A CHOSEN TIME.

THIS FUNCTION ONLY WORKS WITHIN THE 7 DAY TIMER MODE. THE REMOTE CONTROL WORKS BY RADIO SIGNAL. THE HAND-HELD TRANSMITTER IS CONFIGURED IN THE FACTORY WITH A UNIQUE SIGNAL CODE.

OPEN WINDOW NOT AVAILABLE

HOW TO USE YOUR APPLIANCE

2. OPERATING INSTRUCTIONS

THERMAL SAFETY CUT OUT
IF THE SAFETY CUT OUT FOR THE HEATER
TRIPS THE APPLIANCE HAS OVERHEATED.
IF THIS HAPPENS:

- UNPLUG THE DEVICE AND ALLOW IT TO COOL DOWN FOR A MINIMUM OF 2 HOURS
- CHECK THE HEATER OUTLET VENTS FOR AND OBSTRUCTION AND CLEAR IF NECESSARY. SEE MAINTENANCE SECTION FOR GUIDANCE
- PLUG IN THE APPLIANCE AND SWITCH IT ON. THE CUT OUT WILL RESET AND THE APPLIANCE SHOULD FUNCTION NORMALLY.
- IF THE APPLIANCE CONTINUES TO NOT FUNCTION CORRECTLY, CONTACT THE RETAILER OR PLACE OF PURCHASE.

PAIRING THE REMOTE TO THE APPLIANCE

TO PAIR A HANDSET (EXISTING OR NEW) TO THE APPLIANCE THE CURRENT PAIRING PROGRAM MUST BE DELETED.

TO DELETE THE HANDSET:

- ACCESS MENU BY HOLDING BOTH MENU BUTTONS. SCROLL TO DEVICE MENU AND PRESS SELECT.
- THIS GIVES DETAILS OF THE APPLIANCE AND ALSO GIVES THE OPTION TO DELETE THE APPLIANCE FROM THE REMOTE HANDSET. PRESS AND HOLD THE DELETE OPTION UNTIL THE BAR IS FILLED TO REMOVE THE HANDSET.

PAIRING REMOTE TO APPLIANCE

- ENSURE APPLIANCE IS SWITCHED OFF USING SWITCH TOP RIGHT OF GLASS PANEL.
- TOUCH POWER BUTTON ON THE REMOTE TO BRING UP THE PAIRING OPTIONS.
- TOUCH PAIR ON REMOTE.
- SWITCH ON APPLIANCE USING SWITCH TOP RIGHT OF GLASS PANEL. THE REMOTE SCREEN WILL SHOW STANDBY WHEN SUCCESSFULLY PAIR

HOW TO USE YOUR APPLIANCE

3. MAINTENANCE AND CARE

THE AIR INLET GRILLES ON THE UNDERSIDE AND BACK OF THE APPLIANCE SHOULD BE UNOBSTRUCTED. FREE AIR NEEDS TO CIRCULATE IN THIS AREA.

ALWAYS UNPLUG THE APPLIANCE FROM THE MAINS SUPPLY BEFORE CLEANING OR UNDERTAKING AND MAINTENANCE.

GENERAL CLEANING

- ONLY CLEAN THE GLASS WHEN ITS COLD
- DO NOT USE ABRASIVE CLEANERS ON ANY PART OF THE APPLIANCE
- USE A LINT FREE CLOTH TO WIPE ANY SURFACES
- DO NOT SPRAY CLEANER INTO THE APPLIANCE

CLEANING THE FUEL BED

TO ACCESS THE FUEL EFFECT IT WILL BE NECESSARY TO REMOVE THE FRONT GLASS VIEWING PANEL, SEE SERVICING SECTION

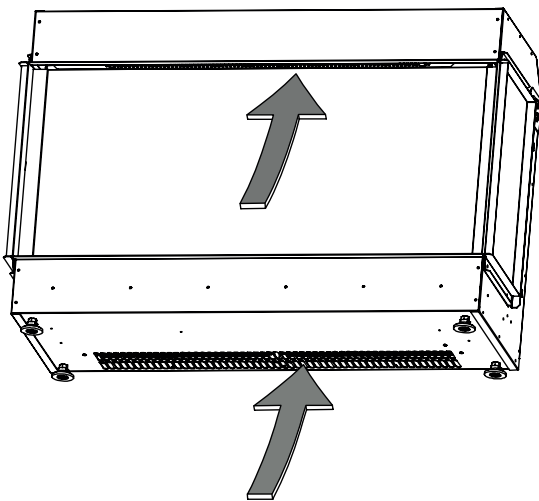
- ENSURE THE APPLIANCE IS UNPLUGGED.
- REMOVE THE LOGS AND DUST CLEAN. DO NOT WET THE LOGS.
- USE A LINT FREE DUSTER.
- LIFT ALL FUEL MEDIUM OUT OF THE FIRE AND WIPE FUEL BED DOWN.
- ENSURE NO MOISTURE REMAINS BEFORE RETURNING THE LOGS INTO POSITION. SEE LOG INSTALLATION PROCESS.
- CAUTION: REPLACE FRONT TRIM WHILE REMOVING LOGS AND FUEL MATERIAL TO ENSURE PIECES DO NOT FALL INTO THE APPLIANCE
- REPLACE THE GLASS AND TRIM AS DESCRIBED IN THE SERVICE SECTION PAGE

HOW TO USE YOUR APPLIANCE

3. MAINTENANCE AND CARE

CLEANING THE OUTLETS

- ENSURE THE APPLIANCE IS UNPLUGGED
- CLEAN THE AIR OUTLET GRILLES REGULARLY WITH A SOFT CLOTH OR THE NOZZLE OF A VACUUM CLEANER



- DUST BUILD-UP CAN INHIBIT EFFICIENT PERFORMANCE OF THE FAN AND LEAD TO THE SAFETY CUT-OUT OPERATING.
- KEEP THE AREA AROUND THE APPLIANCE CLEAN AND FREE OF FLUFF, DUST OR PET HAIR.
- IN PARTICULAR, BUILD-UP OF DUST ETC. CAN OCCUR AROUND THE HEATER VENT AREA. TAKE PARTICULAR CARE TO KEEP THIS AREA FREE FROM SUCH PARTICLES ON A REGULAR BASIS TO PREVENT BUILD-UP.

BATTERY REPLACEMENT

WHEN THE REMOTE BATTERIES IS LOW IT MUST BE CHANGED IMMEDIATELY. INSTALL CORRECT REPLACEMENTS AND DISPOSE OF THE OLD BATTERIES CAREFULLY.

**HOW TO INSTALL YOUR
APPLIANCE
4. TECHNICAL SPECIFICATION**

MODEL		750 L	750 A	750 S	900 L	900 A
WEIGHT		41	43	41	43	46
VOLTAGE		230V 50Hz	230V 50Hz	230V 50Hz	230V 50Hz	230V 50Hz
BATTERY HANDSET TRANSMITTER		12 V MN 21/23	12 V MN 21/23	12 V MN 21/23	12 V MN 21/23	12 V MN 21/23
ELECTRICAL POWER CONSUMPTION	FLAME PICTURE ONLY	15w	15w	15w	15w	15w
	HEATING ON	1000 Watt	1000 Watt	1000 Watt	2000 Watt	2000 Watt
SUPPLY CORD		BS1363 UK13A	BS1363 UK13A	BS1363 UK13A	BS1363 UK13A	BS1363 UK13A

MODEL		900 S	1250 L	1250 S	1650	2000
WEIGHT Kg		43	56	55	76	81
VOLTAGE		230V 50Hz	230V 50Hz	230V 50Hz	230V 50Hz	230V 50Hz
BATTERY HANDSET TRANSMITTER		12 V MN 21/23	12 V MN 21/23	12 V MN 21/23	12 V MN 21/23	12 V MN 21/23
ELECTRICAL POWER CONSUMPTION	FLAME PICTURE ONLY	15w	15w	15w	15w	15w
	HEATING ON	2000 Watt	2000 Watt	2000 Watt	2000 Watt	2000 Watt
SUPPLY CORD		BS1363 UK13A	BS1363 UK13A	BS1363 UK13A	BS1363 UK13A	BS1363 UK13A

NOTE: WEIGHTS UNIT ONLY NOT INCLUDING PACKAGING
SUITE APPLIANCE (S) WEIGHTS ARE NOT INCLUDING WOODEN SURROUND

**THIS APPLIANCE MUST BE
EARTHED**

THIS APPLIANCE HAS BEEN CERTIFIED FOR USE IN COUNTRIES OTHER THAN THOSE STATED. TO INSTALL THIS APPLIANCE IN THESE COUNTRIES, IT IS ESSENTIAL TO OBTAIN THE TRANSLATED INSTRUCTIONS AND IN SOME CASES THE APPLIANCE WILL REQUIRE MODIFICATION. CONTACT YOUR RETAILER FOR FURTHER INFORMATION.

FOR PRODUCT DIMENSIONS AND INSTALLATION GUIDES FOR BUILDING YOU APPLIANCE INTO A LOCATION, PLEASE GO TO WEBSITE: XXXXXXXXXXXX TO DOWNLOAD THE SPEC SHEET FOR YOUR APPLIANCE

**HOW TO INSTALL YOUR
APPLIANCE**

5. GENERAL INSTALLATION

NOTE: INSTALLATION SHOULD BE CARRIED OUT BY A TRAINED INSTALLATION TECHNICIAN. IF THE PRODUCT IS INSTALLED INCORRECTLY YOUR WARRANTY MAY BE INVALID.

IT IS VERY IMPORTANT THAT THE AIR INLET GRILLES ON THE UNDERSIDE OF THE APPLIANCE ARE UNOBSTRUCTED AND ADEQUATE SPACE IS LEFT TO ALLOW FREE CIRCULATION OF AIR AROUND THIS AREA.

TOOLS REQUIRED

A SCREW DRIVER, SPIRIT LEVEL, SPANNER M5 8mm, M4 7mm AND DRILL MAY BE NEEDED.

UNPACKING THE FIREPLACE

WARNING! DO NOT USE THIS APPLIANCE IF ANY PART HAS BEEN EXPOSED TO WATER.

IMMEDIATELY CALL A QUALIFIED SERVICE TECHNICIAN TO INSPECT AND TO REPLACE ANY PART OF THE ELECTRICAL SYSTEM IF NECESSARY.

- CAREFULLY UNPACK THE APPLIANCE. TAKE CARE NOT TO DAMAGE THE SURFACE OF THE APPLIANCE OR THE INSTALLATION AREA. KEEP PLASTIC WRAPPING AWAY FROM CHILDREN. BE RESPONSIBLE WHEN HANDLING THE PACKING MATERIALS.
- CHECK ALL PARTS AND ACCESSORIES ARE REMOVED BEFORE DISPOSING OF ANY PACKAGING.
- IF NECESSARY KEEP THE ORIGINAL PACKAGING FOR FUTURE TRANSPORT AND/OR STORAGE.

FITTING THE APPLIANCE

TAKE CARE WHEN LIFTING THE APPLIANCE, OBTAIN ASSISTANCE IF REQUIRED AND ALWAYS FOLLOW SAFE MANUAL HANDLING TECHNIQUES.

WHEN IN DOUBT CONSULT YOUR RETAILER OR SUITABLY QUALIFIED PERSON.

INSTALLATION OPTIONS

MODELS 750A 950 A ASPECT MODELS CAN BE INSTALLED WITH A SURROUND OR MANTEL

PLEASE DISCUSS THIS WITH YOUR RETAILER

MODELS 750L 950L 1250L 1650L 2000L LANDSCAPE MODELS SHOULD BE INSTALLED USING THE HIDDEN DOOR CONCEPT

MODELS 750S 950S 1250S ARE SUITE MODELS AND WILL BE SUPPLIED WITH A SURROUND

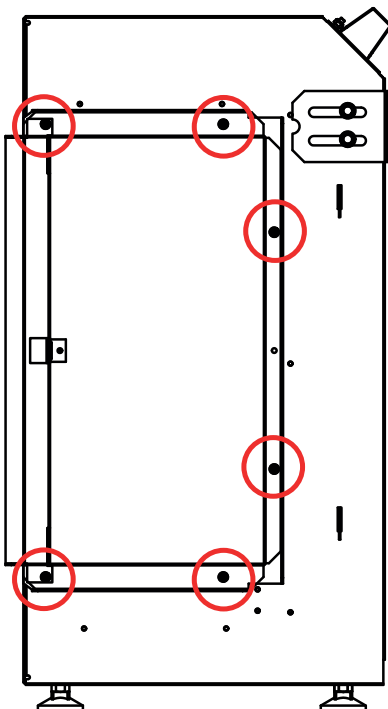
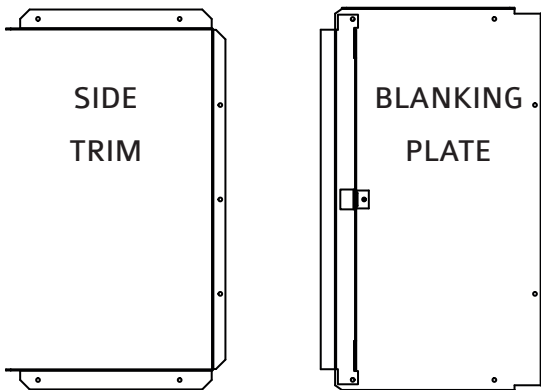
IF YOU ARE IN DOUBT WHICH INSTALLATION OPTION IS RIGHT FOR YOU CONTACT YOUR RETAILER.

HOW TO INSTALL YOUR APPLIANCE
6. CONFIGURING YOUR WINDOW

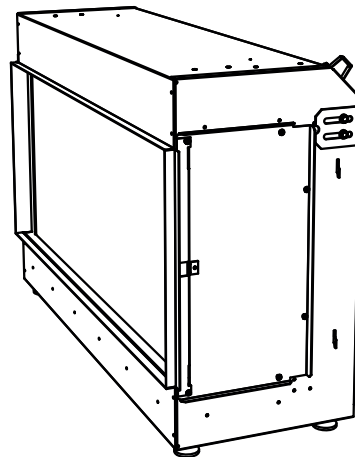
THE CONFIGURATION OF THE APPLIANCE MUST BE COMPLETED BY A QUALIFIED INSTALLATION TECHNICIAN.

THE APPLIANCE COMES FITTED WITH BOTH A BLANKING PLATE AND A SIDE TRIM.

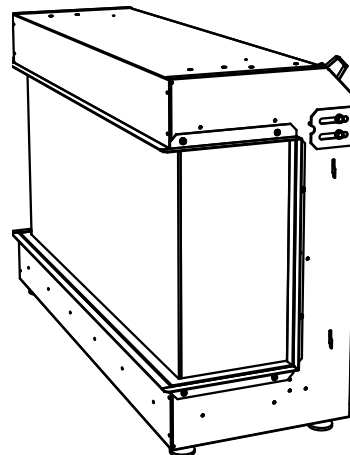
BY USING A COMBINATION OF THESE PARTS THE APPLIANCE CAN BE CONFIGURED TO ANY GLASS ARRANGEMENT



- LOCATE THE BLANKING PLATE MOUNTING SCREWS ON EITHER SIDE OF THE APPLIANCE. AS SHOW ON THE IMAGE BELOW.
- REMOVE THE 6 SCREWS USING THE CORRECT SCREWDRIVER.
- RETAIN THE SCREWS FOR RE-ASSEMBLY.
- IF YOU ARE BUILDING THE APPLIANCE AS A BAY WINDOW. REMOVE BOTH THE BLANKING PLATE AND THE SIDE TRIM. REPLACE JUST THE BLANKING PLATE USING THE ORIGINAL SCREWS INTO THE ORIGINAL MOUNTING HOLES. X6
- IF THE APPLIANCE IS BEING CONFIGURED AS A LEFT HAND, RIGHT HAND OR FRONT GLASS ONLY. REMOVE THE SIDE TRIM FROM THE BLANKING PLATE AND REPLACE THE SCREWS LEAVING THE BLANKING PLATE ON THE CHOSEN SIDE.
- NOTE: PLEASE RETURN ANY UNUSED COMPONENTS WITH THE INSTALLER TO THE DEALERSHIP OR RETAILER



BLANKING PLATE ONLY



SIDE TRIM ONLY

HOW TO INSTALL YOUR APPLIANCE

7. INSTALLATION

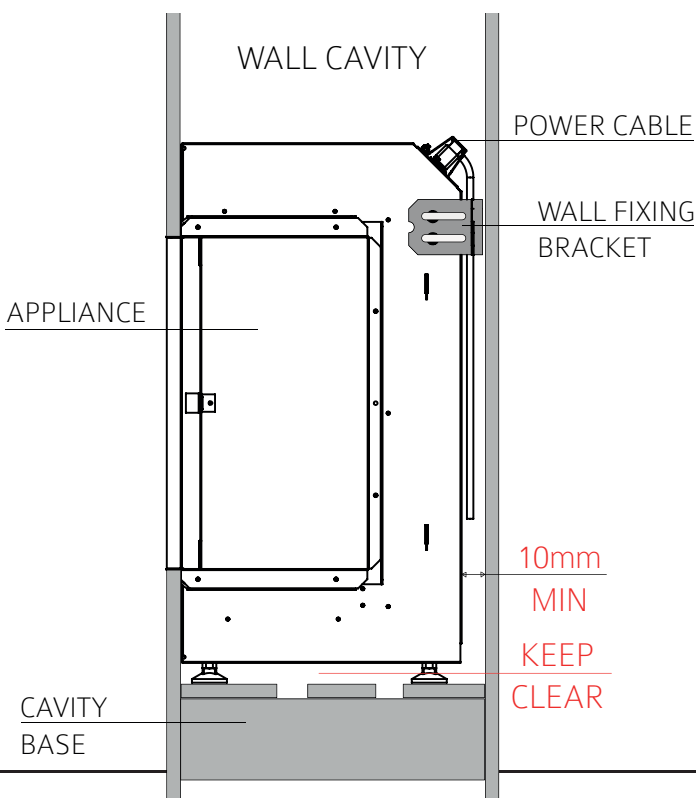
POSITIONING YOUR APPLIANCE

- YOUR NEW APPLIANCE MAY BE INSTALLED VIRTUALLY ANYWHERE IN YOUR HOME. HOWEVER, WHEN CHOOSING A LOCATION ENSURE THAT THE GENERAL INSTRUCTIONS ARE FOLLOWED.
 - **THE POSITIONING OF THE APPLIANCE SHOULD IDEALLY BE FITTED INTO/ ONTO A FLAT WALL OF BLOCK/BRICK CONSTRUCTION OR AN INTERNAL WOODEN FRAME PLASTER BOARD WALL. NO FIXINGS ARE PROVIDED WITH YOUR APPLIANCE. PLEASE SEEK ADVICE FROM YOUR RETAILER REGARDING FIXING METHODS, BASED ON YOUR CHOSEN INSTALLATION POSITION AND YOUR WALL MATERIAL.**
 - ALWAYS ENSURE THE APPLIANCE IS ADEQUATELY SUPPORTED AND SITS ON A FIRM STRUCTURE WHEN MOUNTING ABOVE FLOOR LEVEL.
 - IF THE POWER CORD IS DAMAGED, IT MUST BE REPAIRED BY THE MANUFACTURER, ITS AUTHORIZED SERVICE CENTRE OR PROFESSIONAL PERSON.
 - ENSURE THAT CURTAINS AND FURNITURE ARE NOT POSITIONED CLOSE TO THE CHOSEN POSITION, AS THIS WOULD CREATE A POTENTIAL FIRE HAZARD OR BLOCK THE HEATER OUTLET DUCTS. FOR BEST RESULTS, INSTALL OUT OF DIRECT SUNLIGHT.
- THE APPLIANCE SHOULD IDEALLY BE LOCATED CLOSE TO A SUITABLE MAINS SOCKET TO ENABLE CONNECTION. THE ELECTRICAL SOCKET MUST BE EASILY ACCESSIBLE TO ALLOW DISCONNECTION WHEN THE APPLIANCE IS FITTED.
 - **WARNING! IF THE ELECTRICAL SOCKET IS NOT ACCESSIBLE ONCE THE APPLIANCE HAS BEEN INSTALLED THEN A QUALIFIED ELECTRICIAN WILL NEED TO INSTALL AN ISOLATION SWITCH.**
 - **WARNING! KEEP ANY FURNISHINGS OR COMBUSTIBLE MATERIALS AT LEAST 1m FROM THE FRONT OF THE ELECTRIC FIREPLACE.**

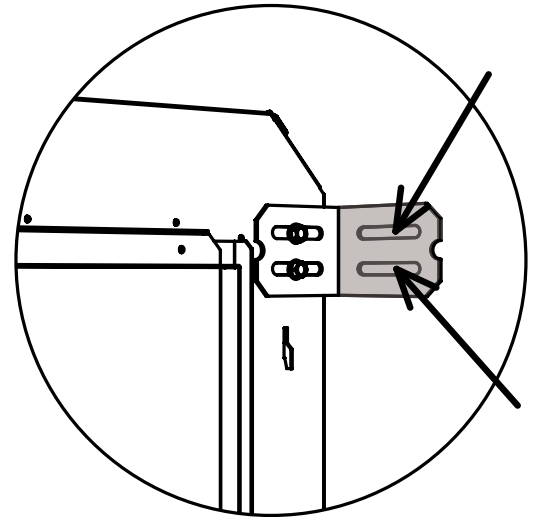
HOW TO INSTALL YOUR APPLIANCE
7. INSTALLATION

POSITIONING YOUR APPLIANCE

- DO NOT INSULATE OR PACK YOUR APPLIANCE INTO ITS LOCATION. FOR THE HEATER AND FLAME AFFECT TO FUNCTION IT REQUIRES CIRCULATION OF AIR
- THE APPLIANCE SHOULD BE LOCATED ON A FLAT FLOOR OR SURFACE.
- IF INSTALLED INSIDE A WALL CAVITY ENSURE THE BASE CONSTRUCTED FOR THE APPLIANCE IS LEVEL AND CLEAR OF OBJECTS TO ALLOW AIR FLOW
- IN ALL INSTALLATION SCENARIOS ENSURE THE WALL MOUNTING BRACKETS ARE USED TO SECURE THE APPLIANCE
- FOR VENTILATION AND NORMAL FUNCTION OF THE APPLIANCE ENSURE A 10mm MINIMUM GAP EXISTS BETWEEN THE BACK OF THE APPLIANCE AND THE WALL THE APPLIANCE IS FIXED TO.



- REMOVE THE WALL BRACKET SCREWS AND ROTATE THE BRACKET AND ROTATE AS SHOWN IN THE IMAGE BELOW
- REATTACH THE BRACKETS AS SHOWN SO THEY ARE FLAT AGAINST THE FIXING WALL AND ALIGN WITH THE MOUNT HOLES ON YOUR APPLIANCE. RETURN THE BRACKET SCREWS LOOSELY



- **NOTE: NO FIXTURES ARE SUPPLIED TO SECURE THE APPLIANCE TO THE CHOSEN WALL. ENSURE AN APPROPRIATE FIXING METHOD IS USED DEPENDING ON THE CONSTRUCTION MATERIAL OF THE WALL.**
- WHEN INSTALLING INTO A WALL CAVITY SPACE, A STUD WORK ENCLOSURE SHOULD BE BUILT TO HOUSE THE APPLIANCE. SEE FRAME OUT BUILD SHEET OR CONTACT THE RETAILER FOR FURTHER INFORMATION.
- FINISH THE ENCLOSURE IN THE CHOSEN MATERIAL ENSURING PANELS ARE PUSHED UP-TO THE EDGE FRAME LEAVING THE EDGE RETURNS VISIBLE.
- ENSURE THAT CURTAINS, FURNISHINGS AND COMBUSTIBLE MATERIALS ARE NOT POSITIONED CLOSER THAN 1 METRE TO THE APPLIANCE AS THIS COULD CREATE A POTENTIAL FIRE HAZARD.
- **IF YOUR APPLIANCE IS NOT LEVEL WHEN INSTALLED THE GLASS CORNER FIT WILL BE MISALIGNED.**

HOW TO INSTALL YOUR APPLIANCE
8. SETTING THE FUEL BED

- UNPACK THE BOX OF LOGS PROVIDED. THE LOGS ARE MADE FROM CERAMIC AND ARE FRAGILE. PLEASE HANDLE THE LOGS WITH CARE.
- SUPPLIED WITH THE LOGS WILL BE A BAG OF FUEL MATERIAL; VERMICULITE. SPREAD THIS OVER THE FUEL BED IN AN EVEN LAYER. BE CAREFULLY NOT TO ALLOW ANY OF THE MATERIAL TO DROP INTO THE APPLIANCE.

- TO ACCESS THE LOG FUEL BED THE FRONT GLASS WILL NEED TO BE REMOVED. SEE REMOVING GLASS INSTRUCTIONS ON PAGE 24
- LOG INSTALLATION IS TO BE CARRIED OUT BY A QUALIFIED INSTALLATION TECHNICIAN
- IT IS RECOMMENDED TO RETURN THE FRONT TRIM WHILE INSTALLING THE LOGS TO STOP MATERIAL FALLING INTO NON RETRIEVABLE AREAS OF THE APPLIANCE
- WITH FUEL MATERIAL IN PLACE, CAREFULLY POSITION THE LOGS AS SHOWN IN THE IMAGES. EACH MODEL HAS ITS OWN ARRANGEMENT.



Log 2



Log 4



Log 1



Log 3



Log 6



Log 8



Log 11



Log 5



Log 7



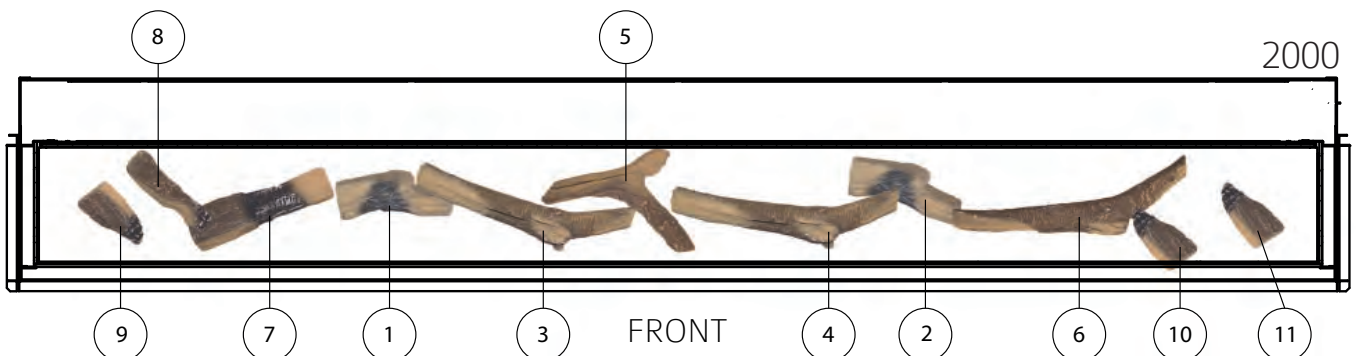
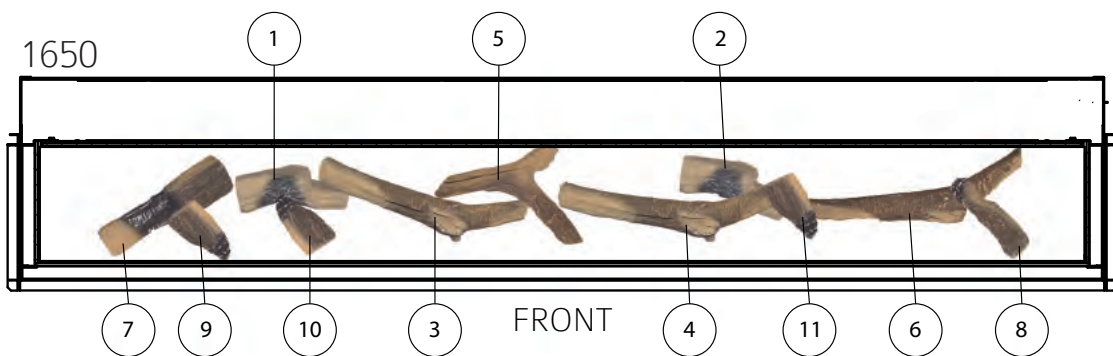
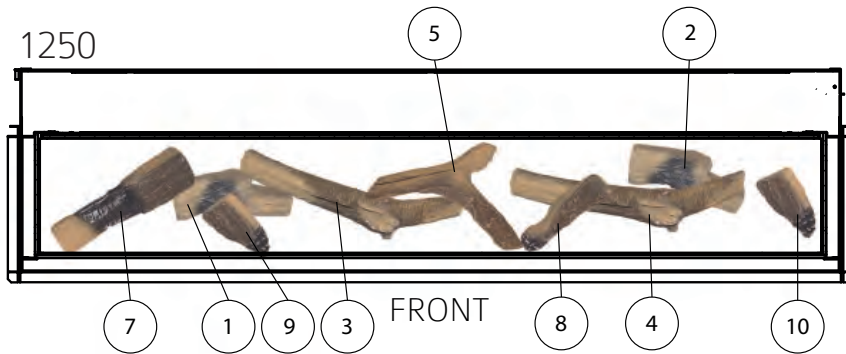
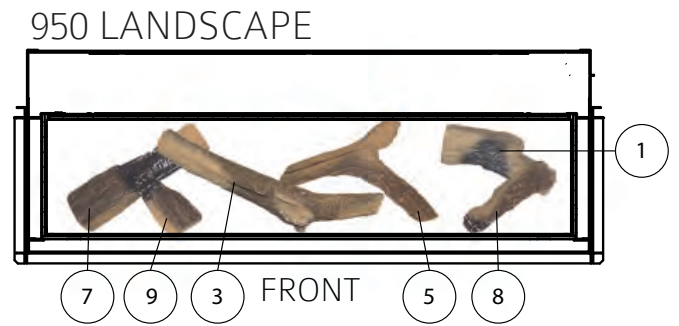
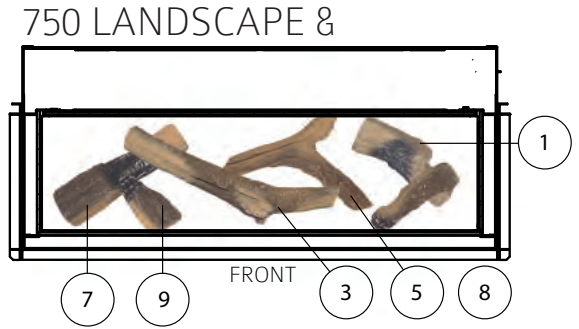
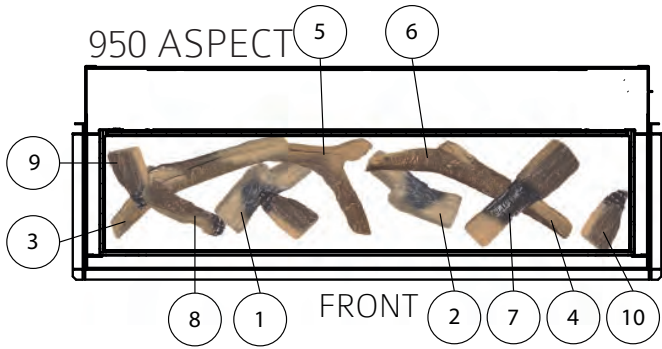
Log 10



Log 9

HOW TO INSTALL YOUR APPLIANCE
6. SETTING THE FUEL BED

LOG POSITIONS



**HOW TO INSTALL YOUR
APPLIANCE**
10. ELECTRICAL CONNECTION

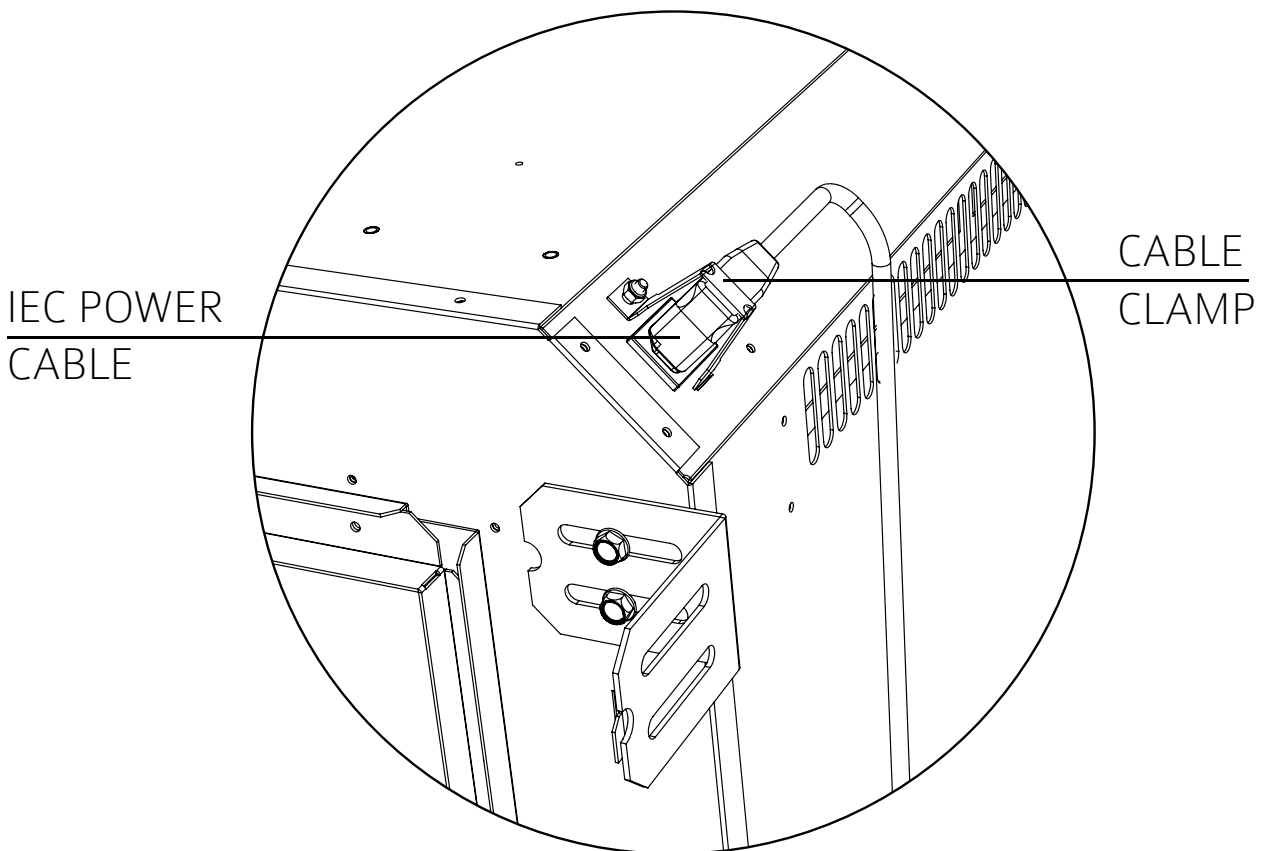
WARNING

**ENSURE THE APPLIANCE IS FULLY
ASSEMBLED AND THE FRONT GLASS
WITH TRIM IS BACK IN THE APPLIANCE
BEFORE THE APPLIANCE IS CONNECTED
TO MAINS POWER**

CONNECTING TO MAINS SUPPLY

- CHECK WHETHER THE MAINS SUPPLY CAN ACCOMMODATE THE ADDITIONAL LOAD OF 1000 OR 2000 WATT

- CONNECT THE PROVIDED IEC POWER CORD TO THE APPLIANCE AND FASTEN THE POWER SOCKET CLAMP INTO PLACE
- **NOTE: DO NOT OVER TIGHTEN THE POWER CABLE CLAMP. TIGHTEN THE NUT PROVIDED TO ENSURE THE POWER SOCKET CANT BECOME LOOSE.**
- CONNECT THE POWER CABLE TO AN EARTHED SOCKET
- DO NOT CLAMP THE POWER CORD OR SECURE IT TO ANY FIXTURE POINT
- ONLY USE THE POWER CABLE PROVIDED WITH YOUR APPLIANCE AS IT WILL BE CORRECT FOR YOUR REGION



SERVICING INSTRUCTIONS

11. GENERAL INFORMATION

THIS APPLIANCE MUST ONLY BE SERVICED BY A SUITABLY QUALIFIED PERSON.

BEFORE UNDERTAKING ANY WORK ON THE APPLIANCE: SWITCH OFF THE APPLIANCE AND ISOLATE IT FROM THE MAINS BY UNPLUGGING THE UNIT.

WAIT FOR AT LEAST 10 MINUTES UNTIL THE APPLIANCE HAS COOLED DOWN.

REMOTE HANDSET BATTERY REPLACEMENT

THE REMOTE CONTROL HANDSET, USES 4 X AAA BATTERIES FOR POWER OPERATION, THESE WILL NEED REPLACING OVER A PERIOD OF TIME.

FOR REPLACEMENT:

- OPEN THE BATTERY COMPARTMENT COVER ON THE REAR OF THE HANDSET.
- REMOVE THE OLD BATTERIES AND REPLACE OBSERVING THE CORRECT POLARITY (+ & -) AS MARKED UPON THE BATTERIES AND
- HANDSET REMOTE CONTROL. REPLACE THE HANDSET COVER.

MAINTENANCE OF MOTORS

THE MOTORS USED ON THE FAN AND FLAME EFFECT ARE PRE-LUBRICATED FOR EXTENDED BEARING LIFE AND REQUIRE NO FURTHER LUBRICATION. HOWEVER, PERIODIC CLEANING/ VACUUM OF THE FAN/HEATER UNIT IS RECOMMENDED.

RESETTING THE THERMAL CUT OUT SWITCH

THE APPLIANCE IS FITTED WITH AN ELECTRONIC SAFETY CONTROL (E.S.). THIS IS A SAFETY DEVICE WHICH SWITCHES OFF THE HEAT ONLY IF, THE APPLIANCE OVERHEATS FOR ANY REASON
E.G. WHEN COVERED.

IF THE HEATER STOPS OPERATING WHILST THE FLAME EFFECT CONTINUES NORMALLY, THIS INDICATES THAT THE E.S. CONTROL IS IN OPERATION.

THE E.S. CONTROL CAN ONLY BE RE-SET AFTER THE APPLIANCE HAS COOLED DOWN.

TO RE-SET THE E.S.:

- SWITCH OFF THE APPLIANCE (ISOLATION SWITCH) AND LEAVE FOR UP TO 2 HOURS.
- REMOVE ANY OBSTRUCTION TO THE FAN HEATER OUTLET OR OTHER INTERNAL PARTS.
- **SWITCH ON APPLIANCE AND THE E.S. CONTROL WILL RE-SET.**
- **ENSURE THAT THE APPLIANCE IS FUNCTIONING CORRECTLY. IF THE E.S. CONTROL OPERATES AGAIN, THE APPLIANCE SHOULD BE CHECKED BY A COMPETENT ELECTRICIAN.**

IF THE POWER SUPPLY IS INTERRUPTED (POWER FAILURE) OR THE APPLIANCE IS TURNED OFF AT THE ISOLATION SWITCH WHILST THE HEATER IS ON, IT WILL BE NECESSARY TO DISCONNECT THE APPLIANCE FROM THE MAINS SUPPLY AND LEAVE FOR 5 MINUTES IN ORDER TO DISCHARGE THE ELECTRONICS BEFORE ATTEMPTING TO TURN THE APPLIANCE ON.

SERVICING INSTRUCTIONS

12. FAULT FINDING

OPERATE APPLIANCE BEFORE COMMISSIONING

1. CLICK ON THE REMOTE HANDSET POWER BUTTON. IF THE APPLIANCE DOES NOT FUNCTION, THEN, FOLLOW POINTS 1, 2, 3, 4 AND 5 RESPECTIVELY.
2. CHECK THE POWER CONNECTION TO THE MAINS SWITCH ON THE WALL IS IN THE ON POSITION.
3. CHECK THE ISOLATION SWITCH ON THE APPLIANCE (SEE STICKER ON THE APPLIANCE). THE SWITCH MUST BE SET TO THE "I" POSITION
4. CHECK THE BATTERIES IN YOUR HANDSET. CHECK IF THE BATTERIES ARE IN THE CORRECT POSITION AND REFIT IF NECESSARY.
5. IF AFTER CHECKING 1, 2, 3 STILL NOTHING HAPPENS, THEN IT MAY BE NECESSARY TO REPAIR THE HANDSET TO THE APPLIANCE, SEE SERVICING SECTION.
6. IF AFTER CHECKING 1, 2, 3 & 4 NOTHING STILL HAS HAPPENED, THEN DISCONNECT THE POWER FROM THE MAINS (UNPLUG FROM SOCKET), AND WAIT FOR 60 SECONDS, THEN PLUG IT BACK IN AND REPEAT STEPS 1 TO 4. IF YOU DO NOT HAVE ACCESS TO THE MAINS SWITCH, BECAUSE IT IS BUILT-IN, THEN DISCONNECT FROM THE FUSE BOARD.
7. ON COLD DAYS OR IF THE APPLIANCE IS FITTED IN A CONSERVATORY, THE FLAME EFFECT MAY MOVE SLOWLY (OR APPEAR TO STICK SLIGHTLY), WHEN YOU FIRST START IT. TURN ON THE HEATING BY CLICKING ON THE BOTTOM BUTTON FOR FEW MINUTES. THIS WILL GENERATE A STRONGER PULL AND WILL WARM UP THE GLASS.

FAULT: THE HEATING DOES NOT TURN-ON WHEN YOU SELECT HEATING MODE BUT THE FLAME EFFECT IS RUNNING.

A)CHECK THE BATTERIES IN YOUR HAND SET. THE RED LED MUST BE SHOWING BRIGHTLY.

B)TRY SELECTING HEATING MODE AGAIN, BUT CLOSER TO THE APPLIANCE.

C). TURN OFF APPLIANCE, THEN TURN IT ON AGAIN. WAIT FOR 10 SECONDS, THEN SELECT HEATING MODE AGAIN.

D). IF AFTER CHECKING A, B & C THE HEATING STILL DOES NOT TURN ON THEN FOLLOW POINT NUMBER 5.

SERVICING INSTRUCTIONS

13. SERVICING REQUIREMENTS

TO SERVICE THE APPLIANCE PLEASE FOLLOW THE STEPS AS DETAILED:

1. TURN ON THE FLAME EFFECT. IF APPLIANCE DOES NOT WORK, THEN FOLLOW THE FAULT FINDING GUIDE.
2. IF IT WORKS THEN OPERATE HEAT SETTING AT VARIOUS LEVELS.
3. TURN ON THE EFFECT MODE FOR THE FLAMES, MAKE SURE THE FLAME EFFECT GOES FROM MAX BRIGHTNESS TO A MINIMUM AND THEN START CYCLING UP AND DOWN.
4. IF STEPS 2 & 3 ARE OK, THEN USE YOUR HANDSET TO TURN OFF THE HEAT, TURN OFF EFFECT MODE AND TURN OFF THE FIRE.
5. TURN OFF THE SWITCH ON THE FIRE. THE ISOLATION SWITCH ON THE
6. APPLIANCE MUST BE SET TO THE "0" POSITION.
7. TURN OFF POWER CONNECTION MAINS SWITCH ON THE WALL TO OFF POSITION. IF YOU DO NOT HAVE AN ACCESS TO THE MAINS ON/OFF SWITCH, BECAUSE IT IS BUILT-IN, THEN DISCONNECT FROM MAINS FUSE BOARD.

ONCE THESE STEPS HAVE BEEN FOLLOWED:

8. CHANGE THE BATTERIES IN THE HAND SET.
9. REMOVE THE TRIMS & GENTLY REMOVE THE GLASS FROM THE FIRE, SEE SECTION 6.
10. GENTLY REMOVE THE EFFECTS SCREEN AND OUTER SCREEN FROM THE FIRE. SEE PAGE 28
11. REMOVE ONLY THE CENTRE CLIP WITH THE SILK HANGER (NOTE ITS ORIGINAL POSITION FIRST)
12. WIPE AND CLEAN THE BACK OF THE FIRE, WITH SCREEN CLEANER AND CLOTH AND WAIT ABOUT 2 MINUTES TO DRY.

1. SPRAY ANTI STATIC ON THE BACK OF THE FIRE BEHIND THE SCREEN AND ON THE SILK.
2. ATTACH THE SILK AND CLIP BACK INTO ITS ORIGINAL POSITION.
3. CLEAN THE EFFECTS SCREEN AND OUTER SCREEN WITH SCREEN CLEANER AND CLOTH.
4. CLEAN THE GLASS WITH GLASS CLEANER AND CLOTH.
5. CONNECT / RESTORE MAINS ELECTRICITY AND ON/OFF SWITCH BACK-TO 1 POSITION.
6. RUN THE FIRE WHILE THE SCREEN AND GLASS UNATTACHED FOLLOWING
7. STEPS 1, 2 AND 3, FOR 5 MINUTES.
8. TURN OFF THE FIRE FROM YOUR HANDSET.
9. ATTACH SCREEN AND THEN ATTACH THE GLASS.
10. FIT THE TRIMS.
11. RUN THE FIRE WHILE THE SCREEN AND GLASS IN PLACE FOLLOWING STEPS 4.2.1, 4.2.2 AND 4.2.3, FOR 3 MINUTES.

CLEANING

DO NOT USE WATER, DETERGENTS, ABRASIVE CLEANING POWDERS OR POLISH OF ANY KIND ON THE BODY OF THE APPLIANCE. LIGHTLY DUST USING A DRY DUSTER OR A MEDIUM SOFT BRUSH. TO CLEAN THE GLASS USE GLASS OR WINDOW CLEANER.

SERVICING INSTRUCTIONS

14. REMOVING THE GLASS

WARNING

BEFORE UNDERTAKING ANY WORK ON THE APPLIANCE: SWITCH OFF THE APPLIANCE AND ISOLATE IT FROM THE MAINS BY UNPLUGGING THE UNIT.

REMOVING THE GLASS SHOULD ONLY BE UNDERTAKEN WHEN ABSOLUTELY NECESSARY.

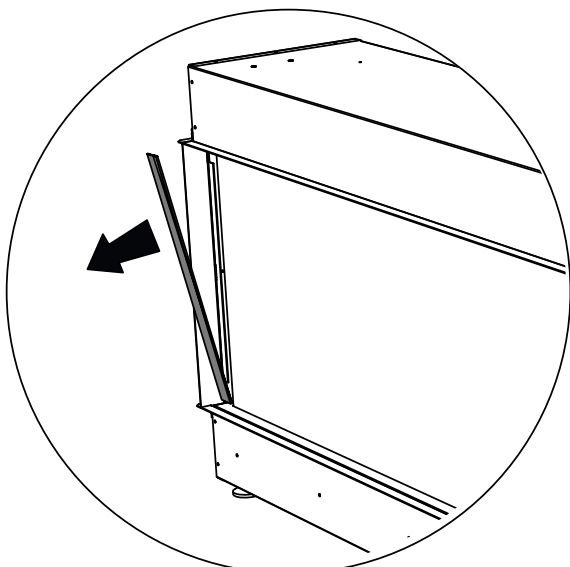
IF REQUIRED PLEASE CONTACT YOUR DEALER FOR FURTHER SUPPORT.

CAUTION: BROKEN GLASS CAN CAUSE SERIOUS INJURY. TAKE EXTRA CARE WHEN HANDLING THE APPLIANCE WINDOW

DO NOT OPERATE THE APPLIANCE WITHOUT THE GLASS WINDOW INSTALLED

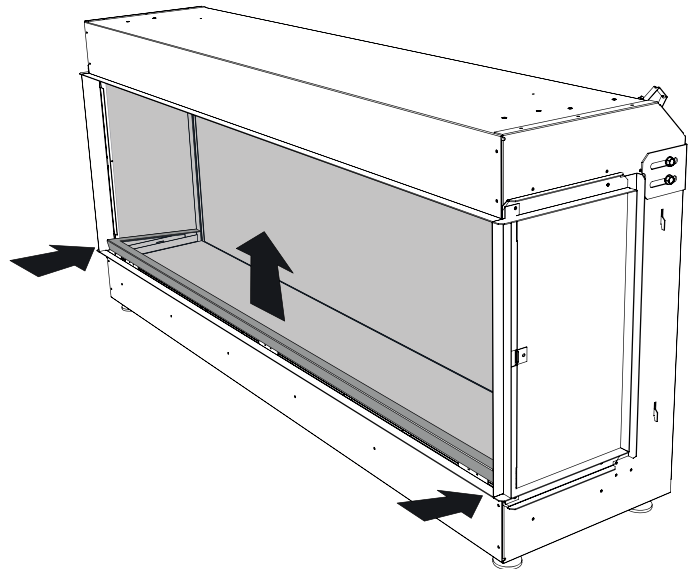
REMOVING THE TRIM BRACKETS

FOR MODELS CONFIGURED WITH ONLY FRONT GLASS OR A SINGLE LEFT/RIGHT BLANKING PLATES, REMOVE THE SIDE VERTICAL TRIM FIRST. SIDE VERTICAL TRIM IS HELD BY A MAGNETIC STRIP.

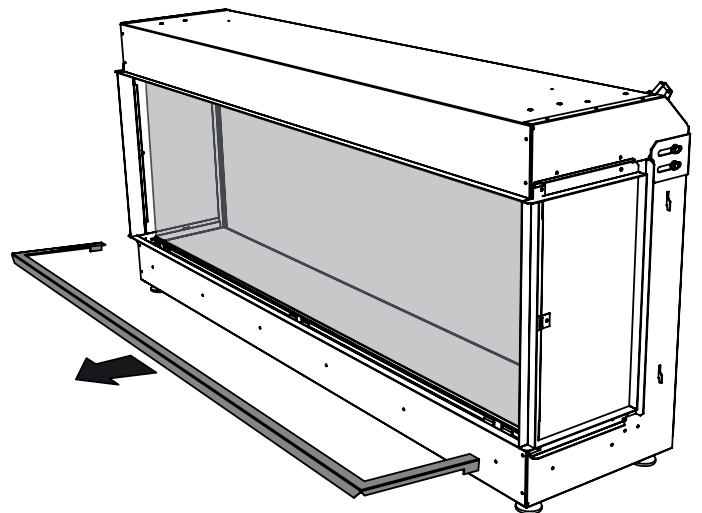


REMOVING THE TRIM BRACKETS

REMOVING THE FRONT TRIM USING A SMALL METAL PIN OR SCREWDRIVER, CAREFULLY LIFT THE FRONT TRIM IN THE CORNERS TO GET UNDER THE TRIM



CAREFULLY REMOVE THE FRONT TRIM LIFTING UP AND OUT AWAY FROM THE APPLIANCE TAKING CARE TO NOT TWIST THE TRIM THE TRIM MUST BE REMOVED EVENLY OR IT WILL LOCK UP ON THE GLASS EDGE



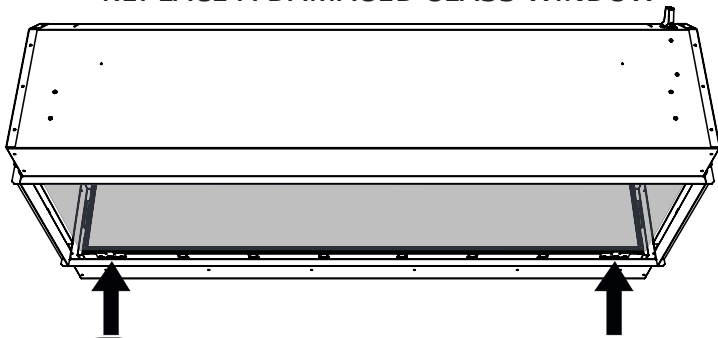
SERVICING INSTRUCTIONS

14. REMOVING THE GLASS

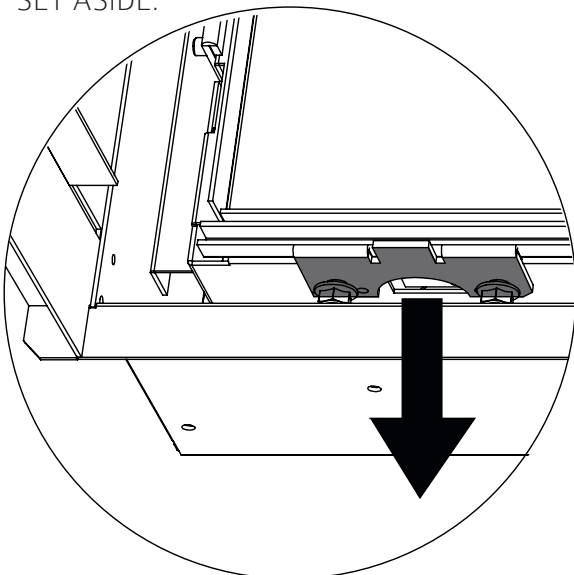
RELEASING THE GLASS

WARNING: ALTHOUGH THE GLASS PANEL HAS BEEN TREATED WITH SAFETY EDGES PLEASE TAKE CARE WHEN HANDLING THE GLASS. AVOID CONTACT WITH CORNERS AND IF NECESSARY WEAR PROTECTIVE GLOVES. TWO PEOPLE MAY BE REQUIRED TO REMOVE THE GLASS.

- THE GLASS IS HELD IN POSITION BY CLAMPS. THE FRONT GLASS HAS 2 CLAMPS. WIDER MODELS HAVE 3
- **THE SIDE GLASS DOES NOT NEED TO BE REMOVED AT ANY TIME UNLESS TO REPLACE A DAMAGED GLASS WINDOW**

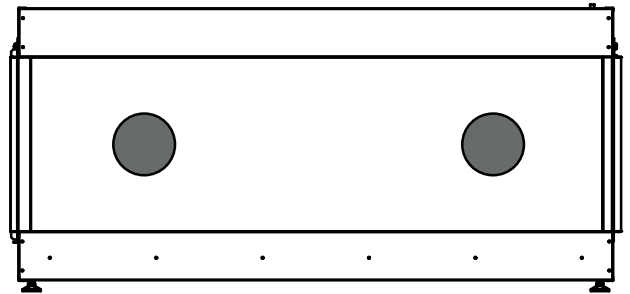


- BEGIN BY LOOSENING THE NUTS THAT HOLD THE CLAMPS. **DO NOT REMOVE THE NUTS FROM THEIR THREADS.**
- ONCE THE CLAMPS ARE FREE FROM TENSION WITH THE GLASS, LIFT THE CLAMPS AWAY FROM THE APPLIANCE AND SET ASIDE.

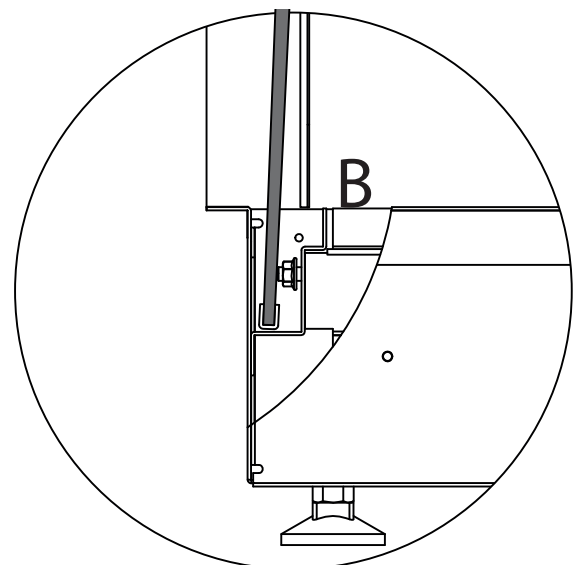
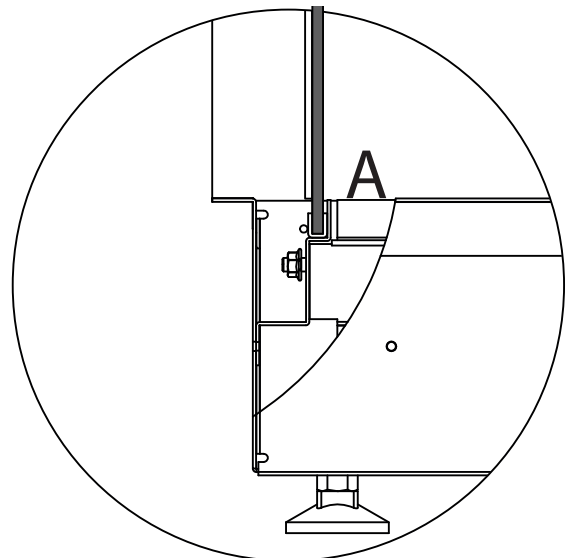


REMOVING THE GLASS

USING TWO GLASS LIFTING SUCTION PADS GRIP THE FRONT GLASS IN THESE LOCATIONS



TAKING GREAT CARE, TAKE THE WEIGHT OF THE GLASS AND ALLOW THE GLASS TO SLIP OFF ITS SEAT AS SHOWN IN IMAGE A, AND LOWER INTO THE CHANNEL IN FRONT OF THE CLAMP THREADS, POSITION B. NOW LEAN THE GLASS TOP EDGE OUT OF THE APPLIANCE.



SERVICING INSTRUCTIONS

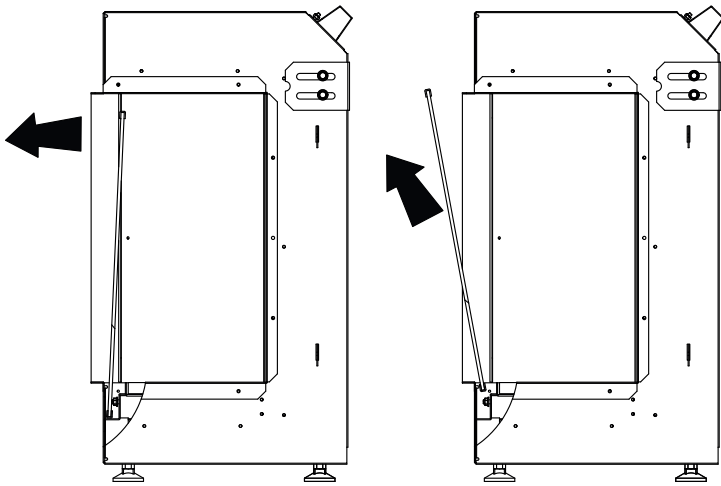
14. REMOVING THE GLASS

WARNING

BEFORE UNDERTAKING ANY WORK ON THE APPLIANCE: SWITCH OFF THE APPLIANCE AND ISOLATE IT FROM THE MAINS BY UNPLUGGING THE UNIT.

REMOVING THE GLASS

AT THIS POINT YOU WILL BE CLEAR TO LIFT THE GLASS OUT OF THE CHANNEL AND AWAY FROM THE APPLIANCE

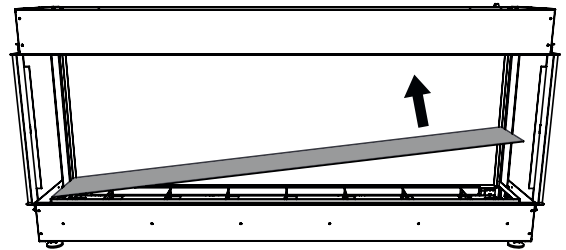


- ENSURE THE GLASS IS PROTECTED WHILE OUT OF THE APPLIANCE
- TO INSTALL THE GLASS BACK INTO THE APPLIANCE FOLLOW THE STEPS IN REVERSE
- CLEAN THE GLASS BEFORE IT RETURNS TO THE APPLIANCE
- AS THE GLASS MOVES TO POSITION B IT WILL LOWER OUT OF A TOP CHANNEL. IF RETURNING THE GLASS TO THE APPLIANCE ENSURE THE GLASS SITS IN THIS TOP CHANNEL WHEN BACK IN POSITION A
- WHILE REMOVING THE GLASS THE RUBBER STRIM MAY FALL OFF. ENSURE THIS IS REPLACED FOR RE-ASSEMBLY.
- THE RUBBER TRIM ON THE LOWER EDGE MUST BE AT THE POSITION OF THE GLASS CLAMP

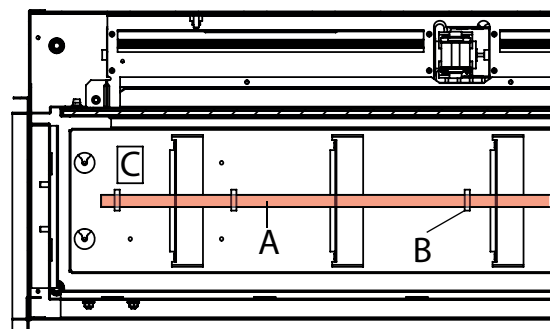
SERVICING INSTRUCTIONS

15. REPLACING FUEL BED LEDS

- TO ACCESS THE FUEL BED LEDS, REMOVE THE FRONT GLASS AS DETAILED ON PAGE 24
- REMOVE ANY FUEL EFFECT MATERIAL CAREFULLY, AT SET ASIDE.
- NOTE: IT IS ADVISABLE TO REPLACE THE FRONT TRIM WHILE REMOVING AND REPLACING THE FUEL MATERIAL TO STOP IT FALLING INTO THE APPLIANCE.

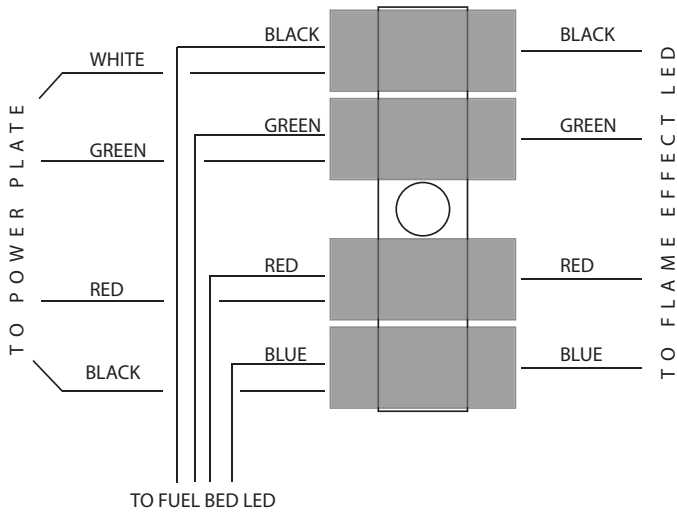


- TO REPLACE THE FUEL BED LED STRIP. UN CLIP THE SADDLE CLAMPS. B
- REMOVE THE LED STRIP TERMINALS FROM THE CABLE BLOCK USING A SMALL SCREWDRIVER. C
- SLIDE TO LED STRIP OUT OF THE FUEL BED PLATE. A
- WHEN INSTALLING A NEW LED STRIP, FOLLOW THESE STEPS IN REVERSE, ENSURING THE WIRING IS INSTALLED AS SHOWN ON THE DIAGRAM ON PAGE 27.



SERVICING INSTRUCTIONS
15. REPLACING FUEL BED LEDS

FUEL BED LED WIRING BLOCK DIAGRAM

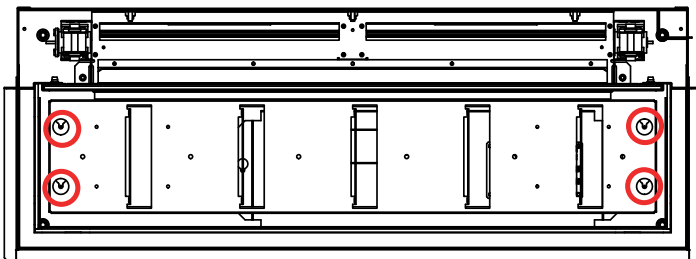


SERVICING INSTRUCTIONS
16. REPLACING THE POWER PLATE ASSEMBLY

THE POWER PLATE ASSEMBLY WITHIN THE APPLIANCE, HOLDS KEY ELECTRICAL COMPONENTS. IF ANY ELEMENT OF THIS ASSEMBLY HAS FAILED PLEASE SWAP THE ASSEMBLY OUT FOLLOWING THE INSTRUCTIONS BELOW.

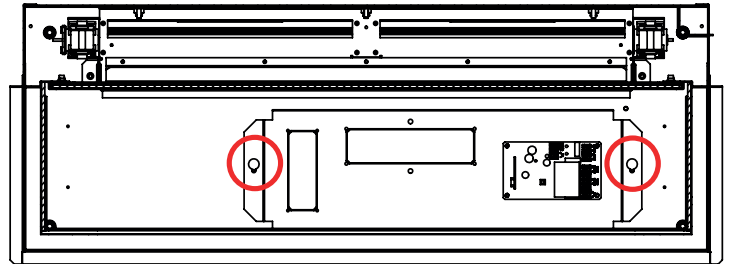
REMOVING THE FUEL BED PLATE

- REMOVE THE FRONT GLASS AND FUEL EFFECT AS NOTED ON PAGE 24.



- LOOSEN THE 4 SCREWS IN THESE LOCATIONS. DO NOT REMOVE THE SCREWS. ONCE THE SCREWS ARE LOOSE YOU CAN PULL THE FUEL BED PLATE TOWARDS THE FRONT OF THE APPLIANCE AND THEN LIFT UP.

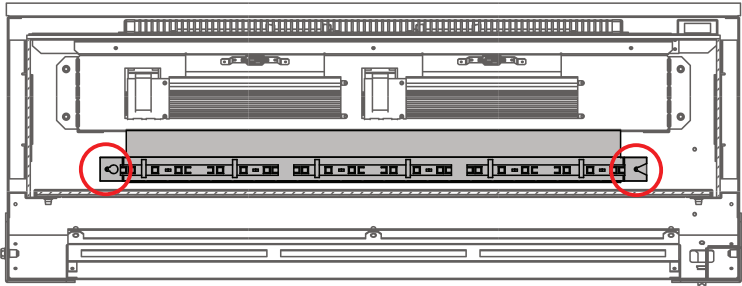
- THE LED CABLE LINKING THE FUEL BED PLATE CAN REMAIN ATTACHED. ENSURE YOU ROTATE THE FUEL BED PLATE OUT OF THE APPLIANCE AND SET ASIDE ENSURING NO TENSION IS APPLIED TO THE LED CABLE.
- ONCE THE FUEL BED PLATE IS AWAY FROM THE APPLIANCE YOU CAN GAIN ACCESS TO THE POWER PLATE ASSEMBLY.
- LOOSEN THE 2 SCREWS IN THIS LOCATION.



- WITH THE POWER PLATE READY TO BE REMOVED, DISCONNECT THE HARNESS FOR THE LED CONNECTIONS
- DISCONNECT THE CABLES FROM THE MAIN PCB
- REMOVE THE POWER PLATE ASSEMBLY
- WHEN INSTALLING A REPLACEMENT FOLLOW THESE STEPS IN REVERSE.
- ENSURE ALL WIRING IS RETURNED TO ITS ORIGINAL LOCATION FOLLOWING THE WIRING DIAGRAM LOCATED ON PAGE 31.
- ONCE A REPLACEMENT ASSEMBLY HAS BEEN INSTALLED RECHECK ALL WIRING IS IN ITS CORRECT LOCATION AND TEST THE APPLIANCE

SERVICING INSTRUCTIONS
17. REMOVING TOP LED BAR

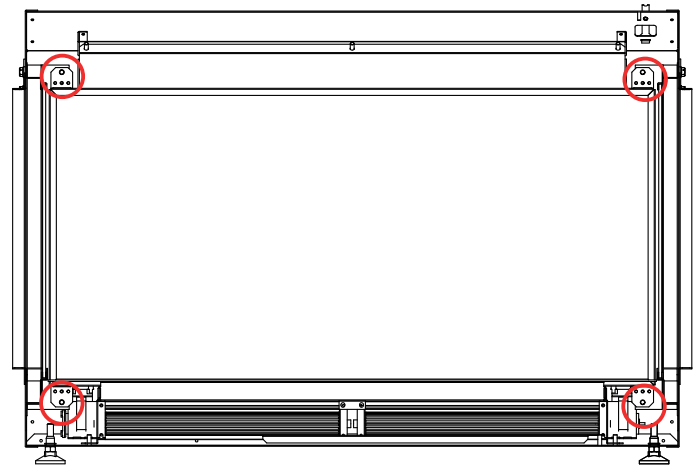
- TO REMOVE THE TOP LED BAR REACH INTO THE APPLIANCE AND LOCATE THE LED POWER CABLE ON THE RIGHT HAND END OF THE LED BAR.
- DISCONNECT THE LED POWER CABLE
- LOCATE THE 2 FIXING POINTS AT EITHER END OF THE TOP LED BAR.



- LOOSEN THE NUTS AND FULLY REMOVE THE NUT OF THE LEFT HAND END OF THE BAR. THE LED BAR WILL HAS A KEY SLOT ON THE RIGHT HAND SIDE. SLIDE THE BAR TO UN HOOK FROM THE NUT.
- PLACE THE TOP LED BAR TO ONE SIDE.
- TO RE-INSTALL, FOLLOW THESE STEPS IN REVERSE. CONSIDER PLUGGING THE LED POWER CABLE BACK INTO THE RIGHT HAND LED BEFORE LOCATING THE LED BAR ONTO ITS FIXING POINTS

SERVICING INSTRUCTIONS
18. REMOVING THE INNER SCREEN ASSEMBLY

- TO REMOVE THE INNER SCREEN ASSEMBLY LOCATE THE 4 FIXING POINTS
- REMOVE THE 4 RETAINING SCREWS

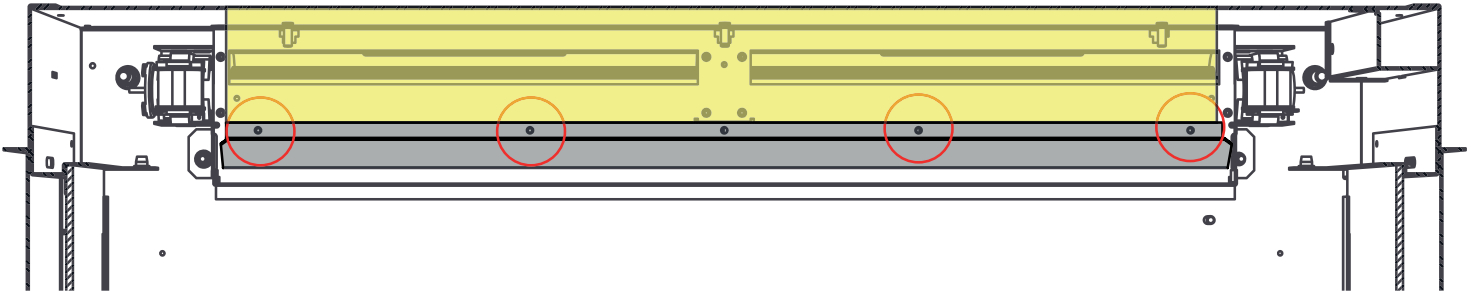


- LIFT THE SCREEN ASSEMBLY AND PIVOT OUT OF THE APPLIANCE WITH THE TOP EDGE EXITING FIRST
- SET THE SCREEN ASSEMBLY TO ONE SIDE IN A SAFE LOCATION.
- **CAUTION: THE INNER SCREEN ASSEMBLY CONTAINS A GLASS PANEL AND MAY REQUIRE 2 PEOPLE TO REMOVE IT SAFELY**

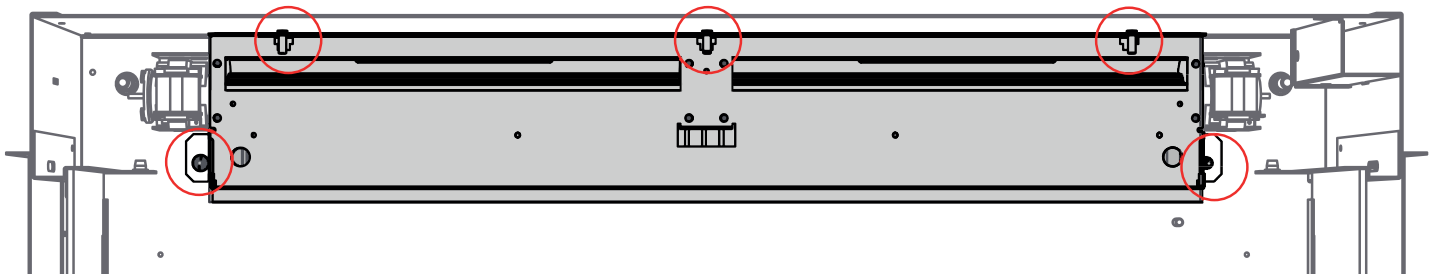
SERVICING INSTRUCTIONS

19. REMOVING THE FAN ASSEMBLY

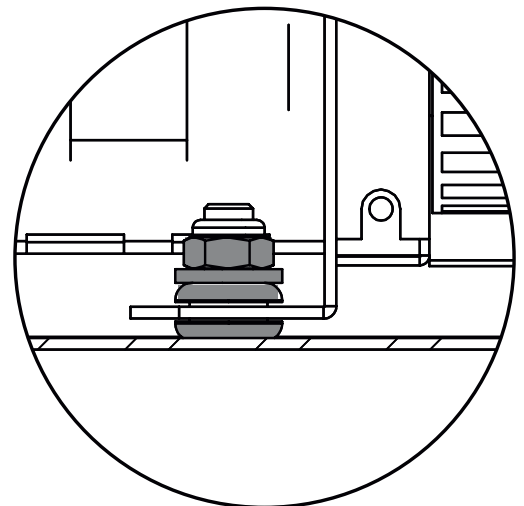
- TO REMOVE THE FAN ASSEMBLY FIRST REMOVE THE EFFECT LED BAR AND FLAME MATERIAL FROM THE FAN ASSEMBLY AT THESE POINTS. RETAIN THE SCREWS FOR RE-ASSEMBLY



- DO NOT UN CLIP THE FLAME EFFECT MATERIAL FROM THE UPPER HANGING BAR.
- DO NOT REMOVE THE FLAME MATERIAL FROM THE EFFECT LED BAR.
- IF YOU HAVE TO REPLACE ANY LEDS ON THE FLAME EFFECT BAR DO SO WHILE THE MATERIAL REMAINS ATTACHED TO THE UPPER HANGING BAR.
- DISCONNECT THE YELLOW LED POWER CABLE FROM THE FIRST LEDS ON THE RIGHT HAND SIDE
- DISCONNECT THE RGB LEDS FROM THE FUEL BED PLATE CABLE BLOCK, IF NOT ALREADY DISCONNECTED.
- LIFT THE EFFECT LED BAR AND FLAME MATERIAL UP AND CONSIDER TEMPORARILY HOLDING IT ABOVE THE FAN ASSEMBLY USING A REMOVABLE CLAMP

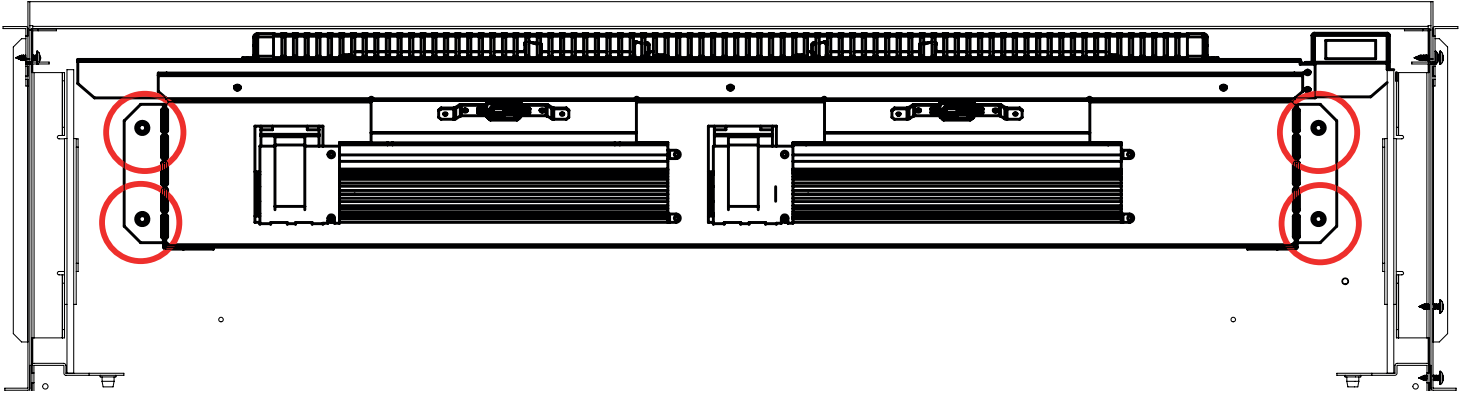


- REMOVE THE NUTS THAT RETAIN THE FAN ASSEMBLY AT THESE LOCATIONS
- DISCONNECT THE FAN ASSEMBLY FROM THE PCB IF THE POWER PLATE IS STILL INSIDE THE APPLIANCE. ENSURE THE WIRING RETURNS TO THE CORRECT PORT ON THE PCB. FOLLOW THE WIRING DIAGRAM ON PAGE 31.
- THE ANTI VIBRATION GROMMETS ON THE BACK THREADS SHOULD REMAIN IN PLACE.
- THE LOWER GROMMETS WILL BE REMOVED WITH THE FAN ASSEMBLY. IF THEY FALL OUT WHILE REMOVING THE ASSEMBLY, BE SURE TO RETURN THEM TO THEIR POSITION INSIDE THE FEET OF THE FAN ASSEMBLY.
- TO REINSTALL THE FAN ASSEMBLY FOLLOW THESE STEPS IN REVERSE ENSURING THE GROMMETS ARE CAREFULLY PLACED OVER THE THREAD AND THE FAN ASSEMBLY PLATE IS WITHIN THE GROMMET GROVE. NOT CONTACT SHOULD BE MADE BETWEEN THE FAN PLATE AND THE MOUNTING THREAD.
- TIGHTEN THE NUTS DOWN ONTO THE GROMMET SO AS TO ONLY TOUCH THE GROMMET.
- DO NOT OVER TIGHTEN THE NUT AND CRUSH THE GROMMET.
- TO REINSTALL THE FAN ASSEMBLY REPEAT THESE STEPS IN REVERSE



SERVICING INSTRUCTIONS
20. REMOVING THE HEATER
ASSEMBLY

- TO REMOVE THE HEATER ASSEMBLY, LOCATE THE 4 NUTS ON THE INSIDE TOP OF THE APPLIANCE.

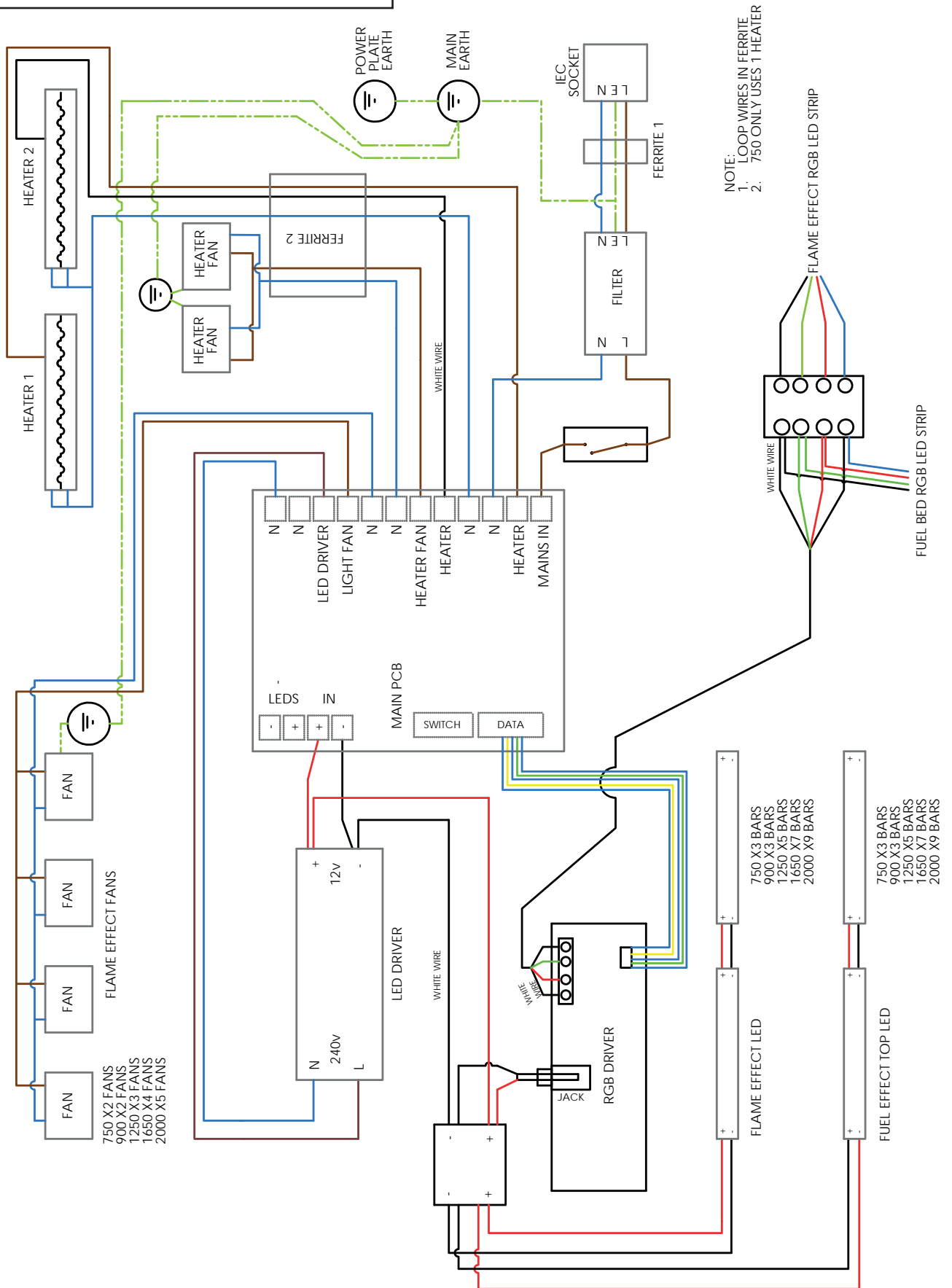


- THE NUTS AND WASHERS ARE M5 SIZE. USE AN 8mm SOCKET WITH AN EXTENSION TO RELEASE THE NUT.
- ENSURE YOU SUPPORT THE WEIGHT OF THE HEATER ASSEMBLY AS YOU REMOVE THE FIXINGS.
- FOR LARGER MODELS 2 PEOPLE MAY BE REQUIRED
- LOWER THE HEATER ASSEMBLY OUT OF THE APPLIANCE BEING CAREFUL NOT TO PULL ON THE WIRE HARNESS
- REMOVE THE CABLE CONNECTION TO THE ISOLATION SWITCH
- REMOVE THE CABLE ROUTING BOX IN THE BACK RIGHT SIDE OF THE APPLIANCE. ONCE SCREW AND SLOT WILL ALLOW THE CORNER BOX TO BE REMOVED.
- REMOVE THE CABLE CONNECTION TO THE MAIN PCB
- TO REINSTALL FOLLOW THESE STEPS IN REVERSE

SERVICING INSTRUCTIONS
1. ORDER OF REMOVAL

- KEY ASSEMBLIES MUST BE REMOVED TO GAIN ACCESS TO OTHER ASSEMBLIES
- TO GAIN ACCESS TO FAN AND HEATER ASSEMBLIES YOU MUST FIRST REMOVE
 - FRONT GLASS AND TRIM
 - FUEL MATERIAL AND FUEL BED
 - TOP LED BAR
 - SCREEN ASSEMBLY
 - CORNER CABLE ROUTING BOX
- DO NOT TRY TO ACCESS THE FAN AND HEATER ASSEMBLY WITHOUT REMOVING THE TOP LED BAR AND SCREEN ASSEMBLY

SERVICING INSTRUCTIONS
21. WIRING DIAGRAM

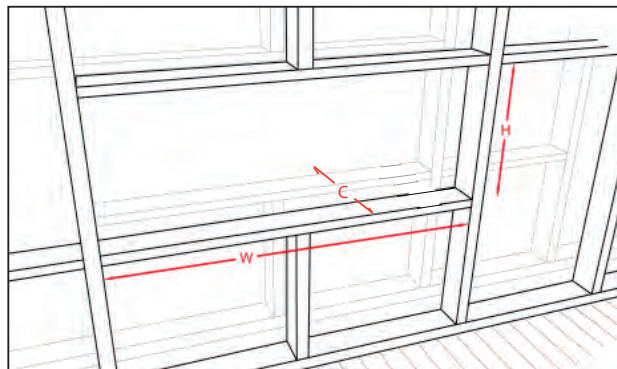


ENCLOSURE DIMENSIONS

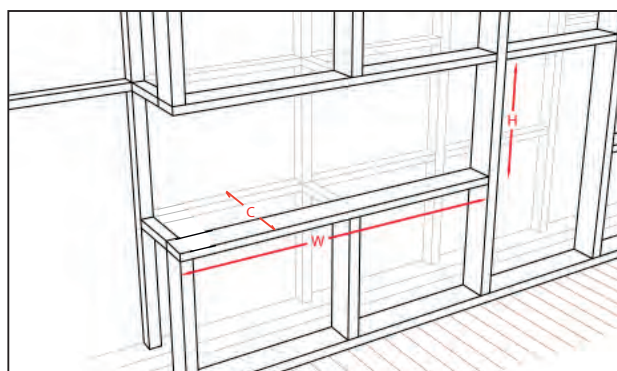
- ALL DIMENSIONS ARE IN MILLIMETRES
- APPLIANCES 750 S, 900 S, 1250 S (SUITE) ARE SUPPLIED WITH THEIR OWN ENCLOSURE AND SHOULD NOT BE BUILT IN ANY OTHER ARRANGEMENT
- DIMENSIONS SHOWN ARE FOR THE ENCLOSURE ONLY. THESE DIMENSIONS ARE REQUIRED FOR THE APPLIANCE TO OPERATE. THE TRIM EDGE DIMENSIONS CAN BE FOUND ON PAGE 30.

APPLIANCE	H	W	C
750 A	686	714	315
750 L	591	714	315
900 A	821	847	315
900 L	591	847	315
1250 L	591	1232	315
1650 L	591	1627	315
2000 L	591	1977	315

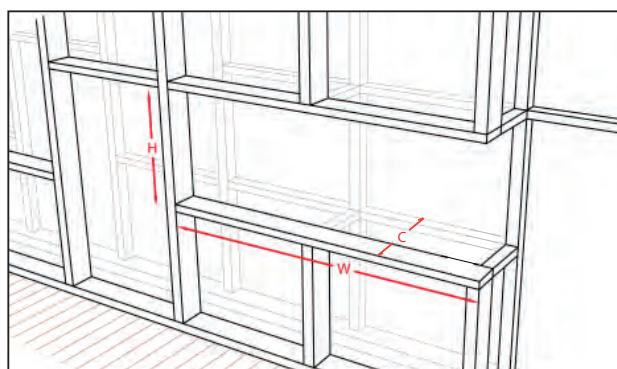
FRONT



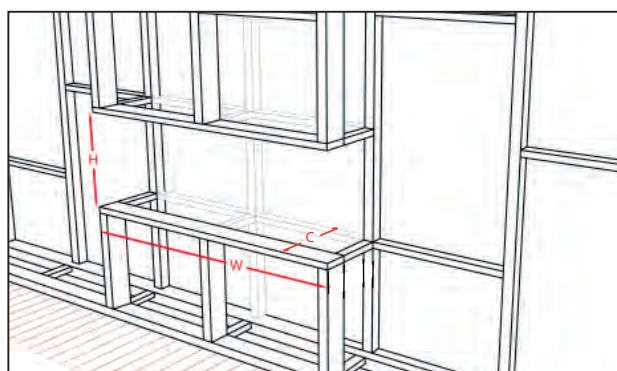
LEFT



RIGHT

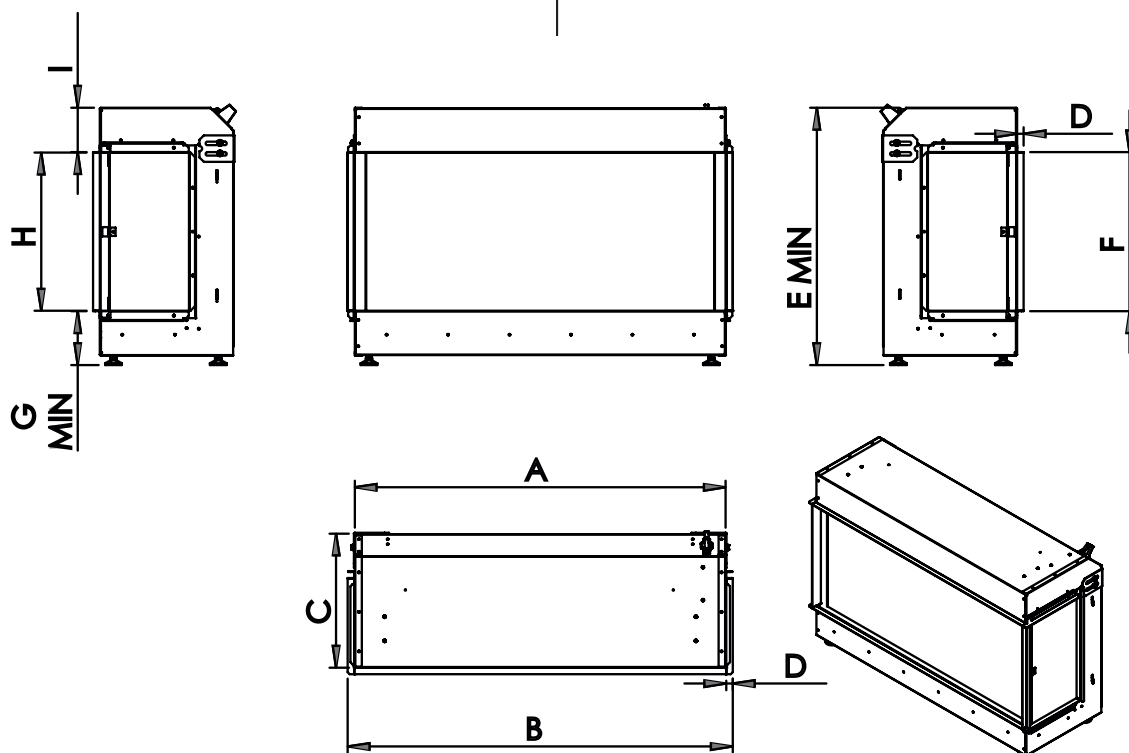


BAY



APPLIANCE DIMENSIONS

NOTE: ALL DIMENSIONS ARE IN MILLIMETRES



APPLIANCE	A	B	C	D	E	F	G	H	I
750 A	712	744	305	15	681	455	123	457	101
750 L	712	744	305	15	586	362	123	360	101
750 S	712	744	305	15	496	272	123	270	101
900 A	845	877	305	15	816	592	123	590	101
900 L	845	877	305	15	586	362	123	360	101
900 S	845	877	305	15	496	272	123	270	101
1250 L	1230	1262	305	15	586	362	123	360	101
1250 S	1230	1262	305	15	496	272	123	270	101
1650 L	1625	1657	305	15	586	362	123	360	101
2000 L	1975	2007	305	15	586	362	123	360	101

PAUL AGNEW | DESIGNS



Living Fire - 361 Swan Street Richmond VIC 3121 - Australia
Copyright © 2019 Living Fire