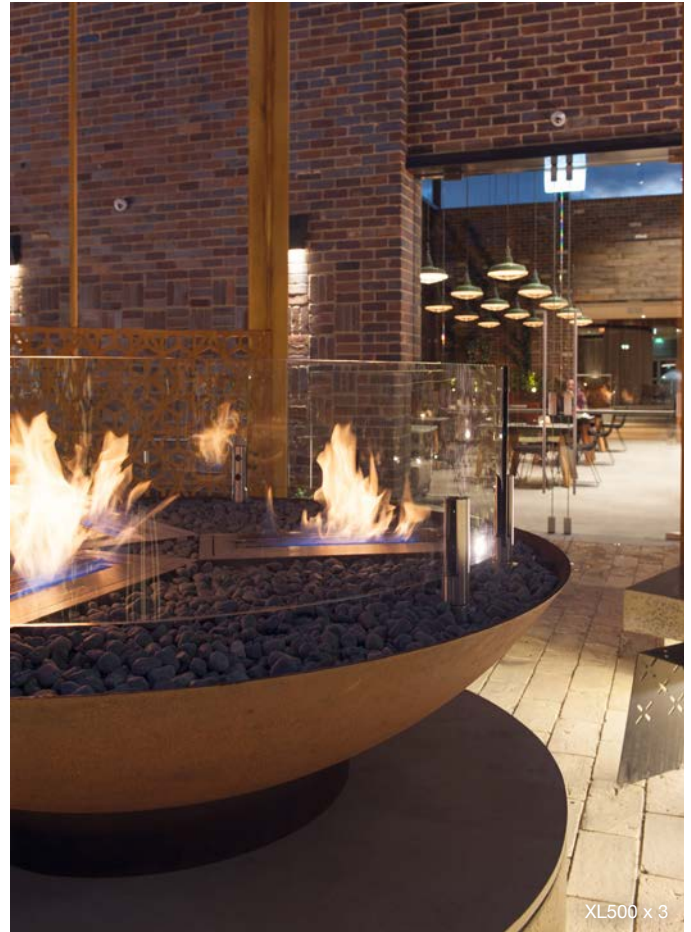
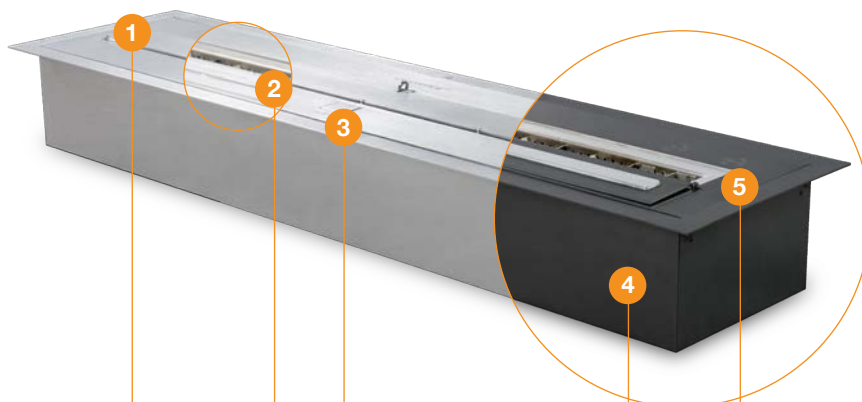


XL Burner Series



XL Burner Series Design features



1. Flip Lid Shut Off System

The series' 'flip lid' shut-off system fits perfectly across the ignition zone to extinguish the flame and, when it is open, denies access to the separated filling point as a deterrent to filling the burner while it is in operation.

A reliable and safe extinguishing system courtesy of a special shut-off mechanism and precision measurements.

2. Flame Regulation

Purpose-designed XL Burner Baffles allow you to regulate and further stabilise the flame at the same time as increasing fuel efficiency of the burner (N/A XS340 Burner).

No Flue, No Chimney, No Vent

Fuelled by clean-burning e-NRG bioethanol our burners produce a beautiful orange flame without any smoke, soot or ash.

The Perfect Fit

The streamlined design of the products synchronises effortlessly within award-winning architectural projects.

3. Dedicated Filling Point

A patented filling point is separated from the ignition zone and engineered so that the jerry can spout is fully supported prior to releasing the fuel supply. This eliminates the usual splash and spills that would otherwise occur when fuel is decanted into the burner while simultaneously reinforcing the maximum fill line within the burner (N/A XS340 Burner).

4. Top Tray

The Top Tray protects against heat transference and aids in the collection of accidental spillage.

To comply with EN 16647 the Top Tray must be installed before operating the burner.

High Quality

Crafted from high quality, 304 grade stainless steel, EcoSmart Fire burners are built to last a lifetime.

5. Colour

Available in Stainless Steel and Black.

Easy to Clean

Our bioethanol burners can be washed in hot water (or even put in your dishwasher), a key competitive difference.

Available in 5 sizes

The XL Series includes our longest burner XL1200 (10L Burner), followed by the XL900 (9L Burner), XL700 (7L Burner), XL500 (5L Burner) and the smallest in the series, XS340 (2.5L Burner).

Global Compliance

All burners are UL Listed in accordance with ANSI/UL1370 in the USA, Certified by BSI in accordance with EN16647, and comply with the ACCC Safety Mandate for Australia.

**Decorative media is not to be placed directly on top of the burner or anywhere they can interfere with the operation of the burner or the stability of flame.*

Included Accessories



Jerry Can with Safety Spout & e-NRG bottle adaptor



Lighting Rod & Lighter



XL Baffles



Burner Top Tray

Optional Accessories



Black Glass Charcoal*



Plamsa Fire Screen



Twin Feet Fixings

Disclaimer. All product specifications and data are subject to change without notice and believed to be correct at the time of publication. MAD Design Group (MDG), its affiliates, agents, and employees, and all persons acting on its or their behalf (collectively, "MAD Design Group"), disclaim any and all liability for any errors, inaccuracies or incompleteness contained herein or in any other disclosure relating to any product. MDG disclaims any and all liability arising out of the use or application of any product described herein or of any information provided herein to the maximum extent permitted by law. The product specifications do not expand or otherwise modify MDG's terms and conditions of purchase, including but not limited to the warranty expressed therein, which apply to these products. No license, express or implied, by estoppel or otherwise, to any intellectual property rights is granted by this document or by any conduct of MDG. Customers using or selling MDG products not expressly indicated for use in such applications do so entirely at their own risk and agree to fully indemnify MDG for any damages arising or resulting from such use or sale. Please contact authorised personnel from MDG to obtain written terms and conditions regarding products designed for such applications. Images are indicative only.

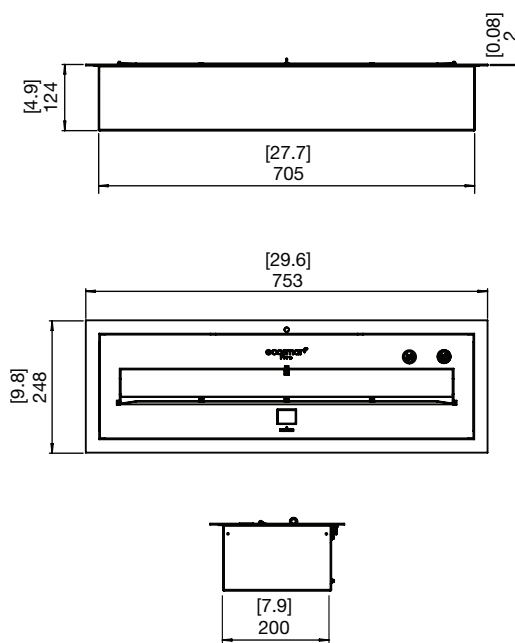
XL700 Specifications

The elongated, stainless steel XL700 bioethanol burner provides design inspiration for a myriad of custom-made fires – both indoors and out.

Burner Ventilation and Efficiency*

Dimensions L x W x D mm/in	Fuel Capacity	Heats on Average (Indoors)	Fuel Consumption	Thermal Output Net (MAX)	Approx. Burn Time	Minimum Room Size (per burner)
753 x 248 x 124 29.6 x 9.8 x 4.9	7 L [1.8 Gals]	Over 50 m ² [538 ft ²]	0.7 L/h [0.18 Gal/h]	14.5 MJ/h 13,650 BTU/h 4 kW	9 - 12 hours	90 m ³ [3,178 ft ³]

Application	Indoor & Outdoor
Burner Colours	 Stainless Steel ESF.B.XL7.WTT  Black ESF.B.XL7.WTT.BL
Materials	Grade 304 Stainless Steel Burner, with optional Black Ceramic Coating, Grade 304 Stainless Steel Top Tray with optional Black Hi-Temp Powder-Coating
Approx. Weight	12.5kg [27.6lbs]
Fuel Type	e-NRG Bioethanol / e-NRG.com



*These values are indicative only and may vary depending on the model purchased, installation, and the seasonal resource used to manufacture e-NRG. Read the manual carefully before operating the burner. Physical model dimensions should be verified against cut out dimensions BEFORE installation begins to confirm tolerances align. All burners are UL Listed in accordance with ANSI/UL1370 in the USA, Certified by BSI in accordance with EN16647, and comply with the ACCC Safety Mandate for Australia (except VB).

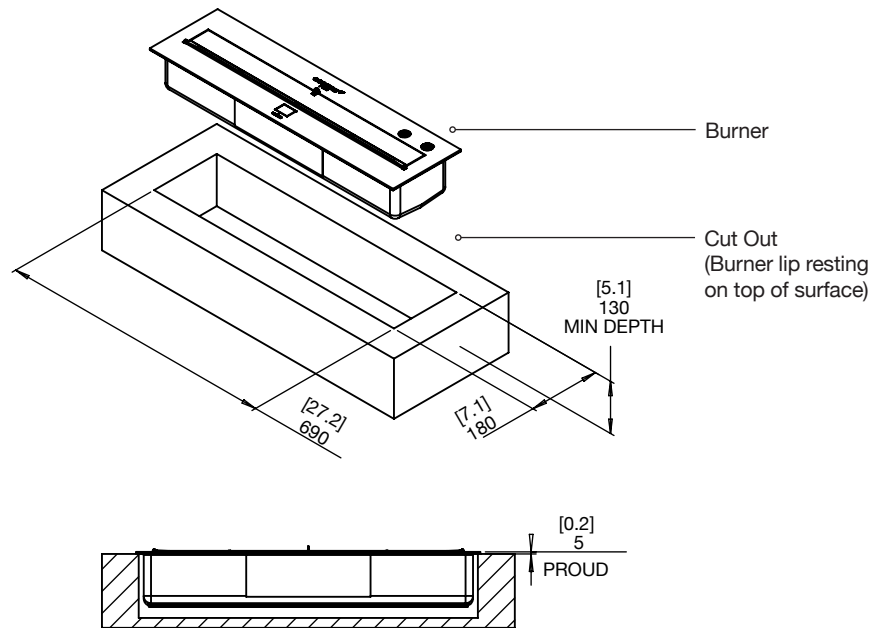
FOR MORE INFORMATION PLEASE REFERENCE THE CLEARANCE & INSTALLATION MANUAL

Disclaimer: All product specifications and data are subject to change without notice and believed to be correct at the time of publication. MAD Design Group (MDG), its affiliates, agents, and employees, and all persons acting on its or their behalf (collectively, "MAD Design Group"), disclaim any and all liability for any errors, inaccuracies or incompleteness contained herein or in any other disclosure relating to any product. MDG disclaims any and all liability arising out of the use or application of any product described herein or of any information provided herein to the maximum extent permitted by law. The product specifications do not expand or otherwise modify MDG's terms and conditions of purchase, including but not limited to the warranty expressed therein, which apply to these products. No license, express or implied, by estoppel or otherwise, to any intellectual property rights is granted by this document or by any conduct of MDG. Customers using or selling MDG products not expressly indicated for use in such applications do so entirely at their own risk and agree to fully indemnify MDG for any damages arising or resulting from such use or sale. Please contact authorised personnel from MDG to obtain written terms and conditions regarding products designed for such applications. Images are indicative only.

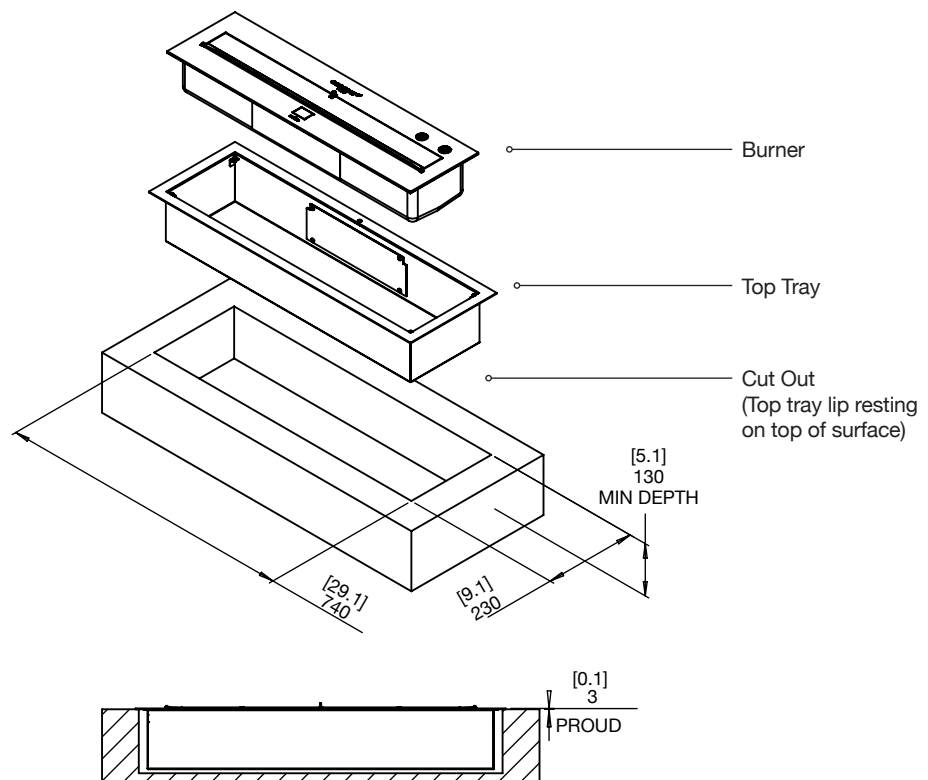
XL700 Cut-out dimensions

Physical model dimensions should be verified against cut out dimensions BEFORE installation begins to confirm tolerances align.

Burner without Top Tray



Burner with Top Tray



FOR MORE INFORMATION PLEASE REFERENCE THE CLEARANCE & INSTALLATION MANUAL

Disclaimer: All product specifications and data are subject to change without notice and believed to be correct at the time of publication. MAD Design Group (MDG), its affiliates, agents, and employees, and all persons acting on its or their behalf (collectively, "MAD Design Group"), disclaim any and all liability for any errors, inaccuracies or incompleteness contained herein or in any other disclosure relating to any product. MDG disclaims any and all liability arising out of the use or application of any product described herein or of any information provided herein to the maximum extent permitted by law. The product specifications do not expand or otherwise modify MDG's terms and conditions of purchase, including but not limited to the warranty expressed therein, which apply to these products. No license, express or implied, by estoppel or otherwise, to any intellectual property rights is granted by this document or by any conduct of MDG. Customers using or selling MDG products not expressly indicated for use in such applications do so entirely at their own risk and agree to fully indemnify MDG for any damages arising or resulting from such use or sale. Please contact authorised personnel from MDG to obtain written terms and conditions regarding products designed for such applications. Images are indicative only.