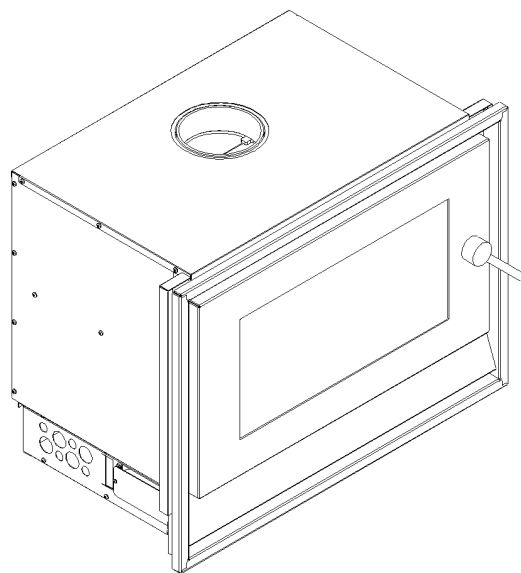




Operating Instructions

Contemporary and Stylish



B520

B820

Keep instructions for future reference



Glen Dimplex Australia proudly supports the activities of Landcare Australia through its membership of the AHHA

CONTENTS

1. OPERATING	1
1.1. INTRODUCTION	1
1.2. USING THE APPLIANCE FOR THE FIRST TIME.....	2
1.3. RECOMMENDED FUELS	2
1.4. LIGHTING THE FIRE	2
1.5. RUNNING THE APPLIANCE.....	2
1.6. BURNING TIPS.....	3
1.7. ASH REMOVAL	3
1.8. FLUE/CHIMNEY FIRE	4
1.9. CLEANING PAINT WORK AND GLASS.....	4
1.10. CLEANING THE FLUE	4
1.11. TROUBLESHOOTING TIPS	4
2. MAINTENANCE AND SERVICING	4
2.1. REPLACING THE FIRE BRICKS	4
2.2. REPLACING THE BRICK RETAINER.....	4
2.3. REPLACING THE BAFFLE PLATE.....	5
2.4. REPLACING THE ASH PLATE	5
2.5. CHANGING FAN CONTROLLERS.....	5
2.6. REPLACING THE FAN ASSEMBLY.....	6
2.7. REMOVING THE DOOR	6
2.8. ADJUSTING THE DOOR	6
2.9. REPLACING DOOR GLASS.....	7
2.10. REPLACING THE DOOR SEAL.....	7
2.11. DOOR HANDLE ADJUSTMENT.....	7
2.12. REPLACEMENT SPARE PARTS LIST	8

1. OPERATING

THE OPERATING INSTRUCTIONS IN THIS MANUAL APPLY TO THE BLAZE B520 AND B820 INSERT WOOD HEATER MODELS.

THEY HAVE BEEN TESTED FOR EMISSIONS AND EFFICIENCY AND COMPLY ACCORDING TO AS/NZS 4012:2014 & AS/NZS 4013:2014.

1.1. INTRODUCTION

Before use of this appliance please read these instructions fully.

WARNING: ANY MODIFICATION OF THE APPLIANCE THAT HAS NOT BEEN APPROVED IN WRITING BY THE TESTING AUTHORITY IS CONSIDERED AS BREACHING AS/NZS 4013.

WARNING: DO NOT USE FLAMMABLE LIQUIDS OR AEROSOLS TO START OR REKINDLE THE FIRE.

WARNING: DO NOT USE FLAMMABLE LIQUIDS OR AEROSOLS IN THE VICINITY OF THIS APPLIANCE WHEN IT IS OPERATING.

WARNING: DO NOT STORE FUEL WITHIN HEATER INSTALLATION CLEARANCES.

WARNING: WHEN OPERATING THIS APPLIANCE AS AN OPEN FIRE USE A FIRE SCREEN.

WARNING: OPEN AIR CONTROL (AND DAMPER WHEN FITTED) BEFORE OPENING FIRING DOOR.

WARNING: DO NOT BURN WOOD THAT IS PAINTED; OR IS COATED WITH PLASTIC; OR HAS BEEN TREATED WITH ANY CHEMICAL.

CAUTION: THIS APPLIANCE SHOULD NOT BE OPERATED WITH A CRACKED GLASS.

CAUTION: THIS APPLIANCE SHOULD BE MAINTAINED AND OPERATED AT ALL TIMES IN ACCORDANCE WITH THESE INSTRUCTIONS.

The appliance or flue system should not be modified in any way without the written approval of the manufacturer.

Extractor fans or cooker hoods must not be placed in the same room or space as this can cause appliance to emit smoke into the room.

Our Cleanburn technology promotes greater efficiency

AIR CONTROL

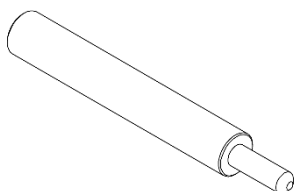
The B520 and B820 models feature a single air control system designed to introduce oxygen to the base of the fire. The air control is operated by sliding the handle located to the left above the door. Slide left to open air control for high burn rate and right to close for low burn rate.

Secondary air holes in the rear of the firebox provide additional oxygen for more complete combustion of the gases released from the burning wood.

DOOR HANDLE

Warning: The door handle may get hot if the appliance has been left in the high burn setting for an extended period. Use the supplied door handle extension (see image below) or a protective glove to open.

Open the air slide before opening the door to eliminate the chance of backdraft and smoke entering the room.



FAN

The fan can be used to help spread the heat around the room and other rooms faster. The fan does not have to be on when the heater is in use, and may be switched on or off at any time.

A remote control supplied with the heater is used to turn the fan on and select speed.

If the radio frequency used by the remote control interferes with other frequencies in the home such as wireless internet or child monitor refer to 'Changing Fan Controllers' in the Maintenance & Servicing section for details on changing the frequency.

1.2. USING THE APPLIANCE FOR THE FIRST TIME

- For the first few times the appliance is lit, odorous fumes will be given off as the paint cures.
- Do not touch the paint work while it is curing otherwise it can leave a permanent mark on the appliance.
- Keep the room well ventilated until these fumes have cleared.
- Once the paint has cured, this will not re-occur.

1.3. RECOMMENDED FUELS

- Burn only seasoned hardwood timber with a moisture content of less than 20%.
- Newly cut wood should be allowed to dry/season for 12 to 18 months before use.
- Wood should be stored in an environment protected from the weather to minimise any potential moisture content.
- For best results, wood should not exceed $\frac{3}{4}$ of the firebox front to back dimension in length and 150mm in diameter. Any larger and appliance will not operate at its optimum. It is better to burn several smaller pieces of wood than one large piece at a time.
- Poor quality timber:
 - Causes low combustion efficiency.
 - Produces poor emissions (smoky).
 - Results in additional build-up of creosote (soot) in the flue which will then require regular cleaning and may result in a flue fire.
- Do not burn painted, impregnated/treated wood, manufactured board products or pallet wood.

1.4. LIGHTING THE FIRE

- 1) Place firelighters or paper and dry kindling wood in the base of the firebox.
- 2) Open air control.
- 3) Light the paper or firelighters.
- 4) If necessary, leave the door slightly open as the fire establishes and the glass warms to avoid a build-up of condensation.
- 5) Once the fire has taken hold add larger pieces of wood. For optimal burn conditions, place the logs in a front to back orientation (right angles to the door opening). Too many logs may smother the fire.
- 6) Once the fire is established, close the door.

Do not leave the appliance unattended while the door is open.

1.5. RUNNING THE APPLIANCE

Maximum Heat Output

This setting is not the most energy efficient as some heat is lost up the flue instead of being transferred into the room. However, once fire has established, particulate emissions will be very low (clean burning).

- After establishing the fire and loading it with larger pieces of wood, leave it running with the air slide fully open to generate maximum heat output.

- Running the appliance with the door open will not produce maximum heating in the room as it will draw a lot of already warmed air out of the room.
- **Do not overload firebox with fuel.**
- To further maximise heat output, turn the fan onto high setting to help spread the heat around the room.

Low Heat Output

This setting will provide the best energy efficiency as the wood burns for longer. However, if not operated correctly may result in higher particulate emissions.

- The heat output on the appliance can be reduced by closing the air slide which will restrict the oxygen supplied to the fire and slow down the rate at which the wood burns.
- **Prior to closing the air slide**, ensure that the fire is burning briskly. This may require opening the air slide fully for 5-10mins before shutting down.
- For the optimum between clean burning, and getting the best in efficiency, from the fully closed position, open the air slide 4-5mm.
- The air slide can be adjusted to any position so desired depending on wanted heat output versus burn time.
- Fan may be turned to Low speed setting or off if the heater is putting out sufficient heat without the fan on.

Reload with more wood

- 1) Open the air slide before opening the door.
- 2) Rake / break up any existing coals.
- 3) Load wood with the length orientated front to back. Better results will be achieved by loading several smaller pieces of wood rather than one large piece.
- 4) Close the door with the air slide fully open, and leave for a minimum of 10 minutes to allow the fresh wood to catch.
- 5) After 10 or more minutes, the air slide can be adjusted to the desired heat output setting.

1.6. BURNING TIPS

Fuel Quality

Use wood with a moisture content of less than 20%. Logs should not feel moist or damp, or have moss and fungal growths.

Symptoms of burning wet wood:

- Difficulty starting and keeping a fire burning well.
- Smoke and only small flames.
- Dirty glass and/or fire bricks.
- Rapid creosote build-up in the flue/chimney.
- Low heat output.
- Short burn times, and blue/grey smoke from the flue/chimney outlet.

Run appliance at high heat output for a short period each day to avoid large build-up of tars and creosote within the appliance and flue.

Flue Draught

The flue has two main functions:

- 1) To safely remove smoke, gases and fumes from the appliance.
- 2) To provide sufficient draught (suction) in the appliance to ensure the fire keeps burning.

Draught is caused by the rising hot air in the flue when the fire has been lit.

The position, height and size of the flue can affect the performance of the flue draught. Refer to installation guide for details on flue installation.

Factors affecting the flue draught include:

- Insufficient flue height
- Trees or other buildings nearby causing turbulence
- High and gusty winds
- Outside temperature and weather conditions
- Blocked flue

For advice on the correction of persistent flue problems consult your supplier/installer for more detail.

1.7. ASH REMOVAL

Depending on the type of wood burnt and frequency, the ashes will need removing every 2 to 6 weeks.

Excess ashes should be removed when necessary, placed in a non-combustible container with a tightly fitting lid and moved outdoors immediately to a location clear of combustible materials.

1.8. FLUE/CHIMNEY FIRE

If a flue/chimney fire occurs:

- Shut air slide control fully to smother the fire.
- Do not use the appliance after a flue fire until an accredited installer has assessed the cause and any resultant damage.

1.9. CLEANING PAINT WORK AND GLASS

- The appliance, when cool, can be cleaned with a damp cloth.
- Over the years, the black paint will fade and can be touched up with Stove Bright metallic black paint.
- To clean the glass, we recommend using a household window cleaner or general purpose cleaner with a soft cloth.

Do not use abrasive cleaner or scourer pads.

1.10. CLEANING THE FLUE

Check inside of flue prior to each season for any build-up of creosote (wood tar).

To check the flue:

- 1) Remove the baffle plate (refer to 'Replacing the Baffle Plate' under Maintenance & Servicing).
- 2) Hold a small mirror on an angle below the flue, with a torch shining towards it, and look for black creosote build-up. It is normal to see a fine black powdery layer, but if built up layers of creosote can be seen, the flue requires cleaning.
- 3) If no cleaning is required, re-fit the baffle plate.

To clean the flue:

- 1) A flue cleaning brush can be purchased from most wood heater retail outlets or large hardware stores. Alternatively, hire a flue cleaning service to do the job for you (it's a dirty job).
- 2) With the baffle plate removed, tie a rope to one end of the brush, and drop the rope down the flue (from outside on top of the roof).
- 3) Grab the end of the rope from inside the firebox and pull the brush down through the flue.
- 4) Check the inside of the flue with the mirror and torch.
- 5) Repeat cleaning process if necessary.
- 6) Once the flue is clean, remove any excess creosote from the firebox.
- 7) Replace the baffle plate.

Only pull brush downwards through flue, as pulling upwards may separate the flue sections at their joins.

1.11. TROUBLESHOOTING TIPS

Glass in door blackening

This can have several possible causes:

- Burning unseasoned wood — If the wood is too wet, it will cause the glass to blacken.
- Appliance operated at low temperature — After an overnight burn where the air control has been fully closed, the glass may have blackened. When the fire is restoked and burning on the high heat setting, the blackened glass should self-clean.
- Problems with the flue — Insufficient flue draught can cause the glass to blacken. If the flue is too short, not properly insulated, or in a position that results in a downdraught, then there will be insufficient flue draught. Contact the installer should this happen.

Trouble starting the fire

When cleaning, it is best to retain some ash in the base of the firebox. A layer of ash insulates the base, helping to maintain a high temperature for combustion. Also, if all the ash has been removed from the firebox, it can affect the supply of air to the base of the fire.

2. MAINTENANCE AND SERVICING

2.1. REPLACING THE FIRE BRICKS

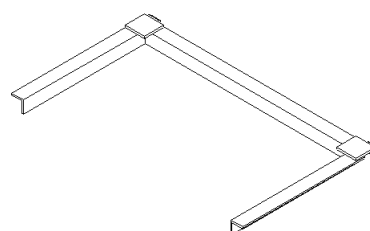
The firebox needs fire bricks to increase the thermal mass and guarantee the longevity of the steel firebox. Over time the firebricks may become cracked and crumble away. At this point they should be replaced.

To replace the firebricks:

- 1) Remove brick retainer, bricks and ash from the fire box.
- 2) Replace with new bricks, and refit the retainer.

2.2. REPLACING THE BRICK RETAINER

The brick retainer holds the bricks in place. Over time, the brick retainer may warp or burn through, and should be replaced.



2.3. REPLACING THE BAFFLE PLATE

The baffle plate helps to retain the heat in the firebox by lengthening the path of the flame before it goes up the flue.

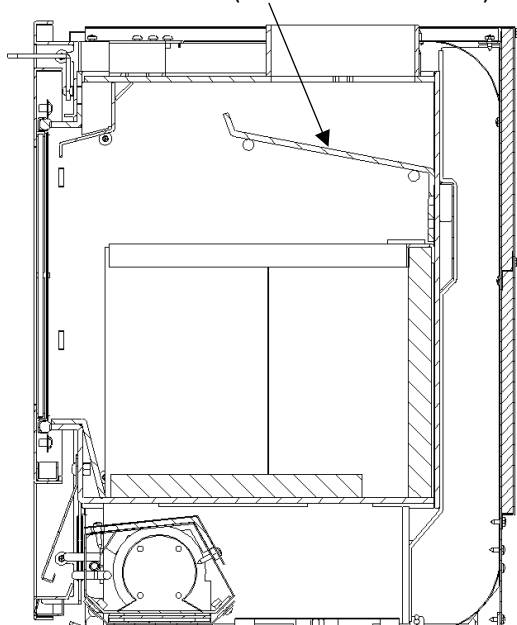
Over time, the baffle plate will begin to sag a little due to the excessive heat. This will not affect the way the fire burns.

Eventually the baffle plate will burn through (5+ years) and will need to be replaced.

To remove the baffle plate:

- 1) Remove any excess ash and coals.
- 2) Remove the brick retainer and bricks from the rear and sides of the firebox.
- 3) Lift the baffle plate up at the back enough to clear the rear pins and slide it forward so that it can be lowered at the back.
- 4) Lowering the rear of the will allow the front to slide past the front support pins.
- 5) Once the baffle has cleared the front support pins, it can be removed from the firebox.
- 6) Repeat steps 1) to 3) in reverse to fit the new baffle plate (see image below for correct baffle placement).

B820 Baffle Plate (B520 has no front fold)

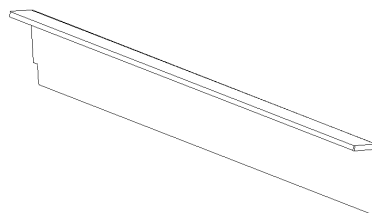


2.4. REPLACING THE ASH PLATE

The ash plate protects the front of the firebox below the door opening from the hot coal bed and fire.

Over time the ash plate may burn through, in which case it should be replaced to ensure the longevity of the firebox.

Clear ash away from the base of the ash plate. Remove the old ash plate and replace with a new one. When positioning the new ash plate, ensure that the front top edge is flush against the inside edge of the firebox beneath the door opening.



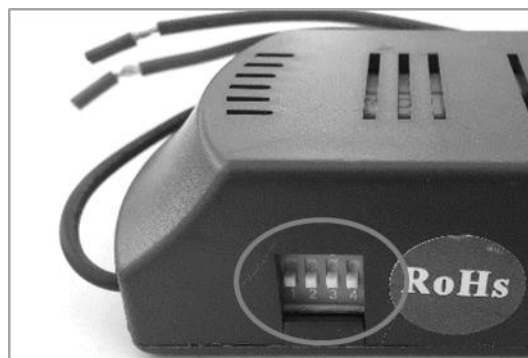
2.5. CHANGING FAN CONTROLLERS

The frequency used by the fan remote control can be changed if interferences are experienced in the home.

Unplug the power lead before proceeding.

Remote Receiver Frequency

The remote control receiver has four tiny switches on the side, as seen in the photo below. Change the switch setting to something different than current setting. Remember this switch setting as it will need to be replicated on the fan controller.



Remote Receiver Location

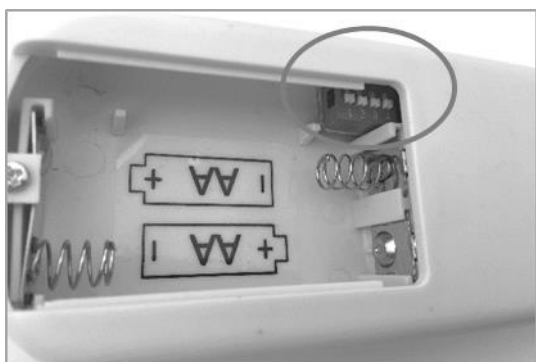
To access the remote control receiver, remove the steel box from underneath the unit:

- 1) Remove the fan cover with an M5 hex key.
- 2) Remove the steel box screw with an M4 hex key, allowing you to pull the steel box out.
- 3) Remove the steel box lid screws with a Philips head screwdriver.

Remote Transmitter Batteries

Remove the battery cover and batteries. With a small screwdriver or equivalent, change the switch setting to be the same as that on the remote control receiver.

Replace the batteries and cover, plug in the power lead and test the fan with the different frequency setting. If interferences are still experienced, repeat the steps with another switch setting configuration.

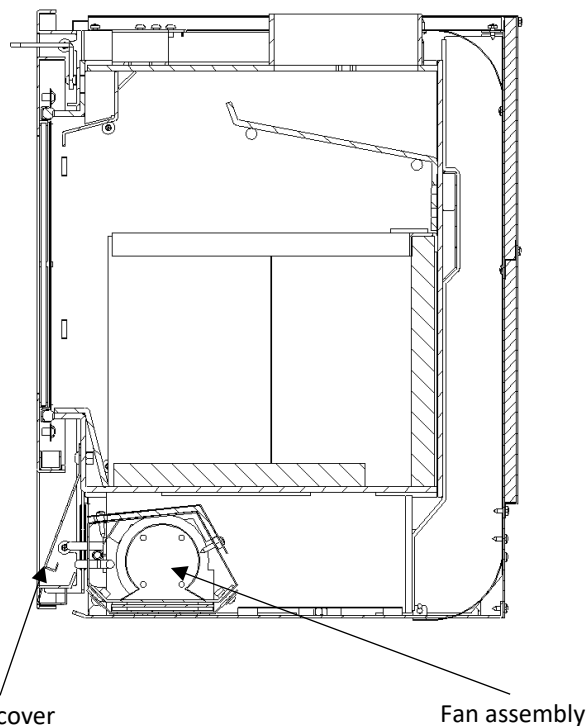


2.6. REPLACING THE FAN ASSEMBLY

Unplug the power lead before proceeding.

To change / remove the fan assembly from underneath the unit.

- 1) Remove the fan cover with an M5 hex key.
- 2) Disconnect the power lead to the controller box.
- 3) Unscrew the fan assembly (two screws) with an M5 hex key.
- 4) Lift and pull the fan assembly out.
- 5) Remove the fan from the assembly by removing two screws with an M5 hex key.



2.7. REMOVING THE DOOR

To remove the door:

- 1) Lift the door up and over the top end of the vertical hinge rod.
- 2) Lower the door and slide off the bottom end of the hinge rod.

2.8. ADJUSTING THE DOOR

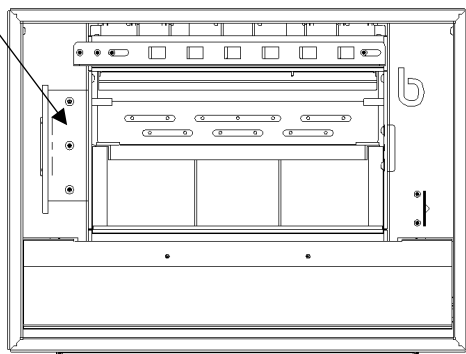
Over time the screws securing the door hinge plate to the heater may loosen resulting in the door dropping, i.e. visually appears on slight angle and no longer 100% horizontal. This can result in a poor door seal and unnecessary amounts of oxygen entering the firebox and wood burning too quickly.

To reposition the door:

- 3) With an M5 hex key, loosen the three screws on the hinge plate.
- 4) With the door 90% closed, slowly lift the bottom right corner of the door until the door appears horizontal.
- 5) Keeping the door in that position relative to the hinge, open it and tighten the screws until firm.
- 6) Close the door to 90% again and make any final adjustments up or down by tapping the door on the right hand side until it appears parallel relative to the top and bottom surfaces of the heater.

Open door again and tighten screws fully.

Hinge plate

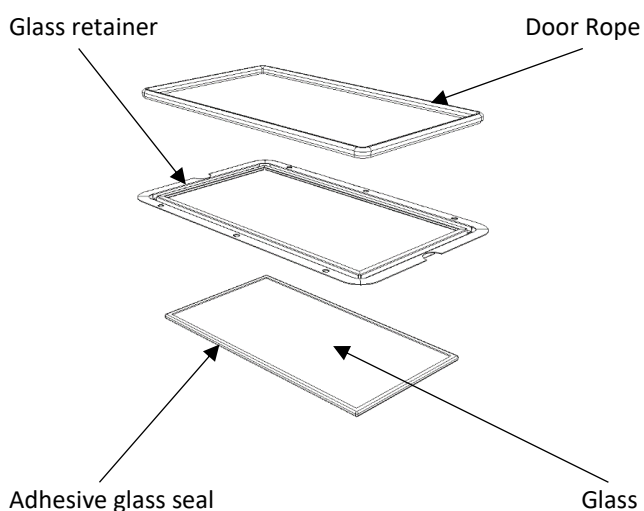


2.9. REPLACING DOOR GLASS

This task may be easier with the door removed from the appliance and laid horizontally on a work-bench.

To replace the door glass:

- 1) Remove the six screws securing the glass retainer to the door with an M5 hex key.
- 2) Gently lift the glass retainer up and out, taking careful note that the glass may still be intact in the retainer and potentially could fall out.
- 3) Flip the retainer over, remove the old glass panel.
- 4) The new door glass panel should have been supplied with a length of adhesive glass seal. Peel the backing off the tape and run it along the edges of the glass panel, folding it equally over each side to create a padded border around the edge of the glass.
- 5) Fit the new glass into the glass retainer, relocate the retainer so that all six threads can be seen through the holes
- 6) Tighten the six screws.
- 7) Dispose of the old glass in a responsible manner.



2.10. REPLACING THE DOOR SEAL

This task may be easier with the door removed from the appliance and laid horizontally on a work-bench.

- 1) Remove any remains of the old seal from the door.
- 2) Clean out the groove in the door that the seal was bedded in, using a flat-end screw driver or equivalent.
- 3) Run a thin bead of clear roof and gutter silicone along the groove.
- 4) Starting at one end, press the new door seal into the groove on the door.
- 5) Refit the door if it has been removed.
- 6) Keep the door closed while the silicon sets.

2.11. DOOR HANDLE ADJUSTMENT

Over time, the door seal can become compressed resulting in a less than adequate seal between the door and the front edge of the firebox. If wood burns unusually fast even with the air slide shut, it may mean that there is an air leak around the door. If the door seal is not damaged, and does not need replacing, the door handle can be adjusted to tighten the seal.

There are multiple ways to tighten the door:

Adjust door latch bracket

The bracket on the right side of the firebox upon which the door handle latches onto can be gently tapped with a hammer.

Alternatively:

- 1) Loosen the two screws with an M5 hex key.
- 2) Relocate the bracket into the desired location.
- 3) Tighten the screws firmly.
- 4) Close the door to test if any improvement in the door closing firmly.

Remove washer from door handle assembly:

- 1) Remove the nut from the door handle shaft inside the door.
- 2) Remove the latch and remove one washer.
- 3) Replace the latch and then place the removed washer on the other side.
- 4) Refit the nut. Do not over tighten otherwise door handle will not turn easily.
- 5) If door seal is still not tight enough remove another washer, or replace the door seal.

2.12. REPLACEMENT SPARE PARTS LIST

Firebricks

B520	6 @ 220mm x 175mm x 25mm
	1 @ 220mm x 140mm x 25mm
	3 @ 220mm x 85mm x 25mm
B820	10 @ 270mm x 175mm x 25mm

Baffle Plate

B520	480mm x 6mm
B820	580mm x 6mm

Ash Plate

B520	495mm x 6mm
B820	595mm x 6mm

Door Seal

B520	1600mm x 16mm round
B820	1900mm x 16mm round

Glass Seal

B520	1550mm x 19mm x 3mm flat adhesive back
B820	1840mm x 19mm x 3mm flat adhesive back

Brick Retainer

B520	485mm x 290mm
B820	585mm x 350mm

Door Glass

B520	483mm x 253mm x 5mm pyro ceramic
B820	583mm x 303mm x 5mm pyro ceramic

Handle Extension

Fan Remote Control

Fan Remote Control Receiver

Fan



Glen Dimplex Australia Pty Ltd

8 Lakeview Drive,
Scoresby Victoria 3179
Australia

T: 1300 556 816 | F: 1800 058 900

Email: sales@glendimplex.com.au
