



REEL TECH

# TECHNICAL DOCUMENT

CSI 7 – Single Wire Hoist

## Key Features :

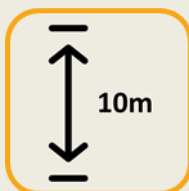
Lifting weight of up to 7kg

Lowering distance 10m

Safety locking device

Manual key switch built in

Pre wired terminals



# Please note the following warnings!

Warranty is void with non-compliance!



DO NOT operate the lift without the minimum weight or the lift will fail!



DO NOT carry the lift by the cables!

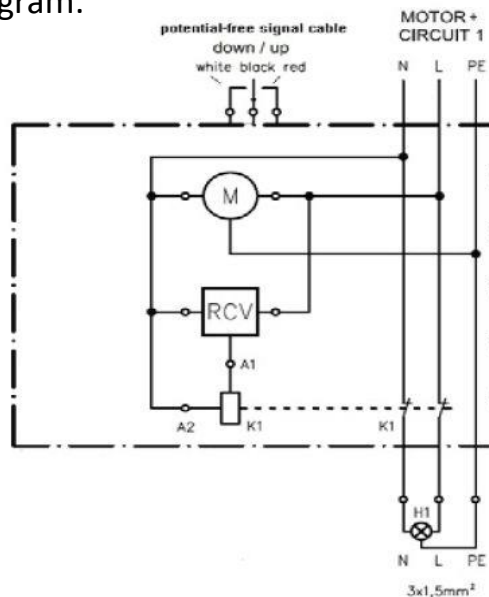


DO NOT apply any external voltage to the signal control wires!

## Overview:

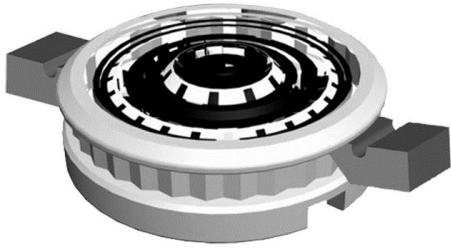


## Wiring Diagram:



<b>Brand</b>	REELTECH		
<b>Product</b>	CSI 7		
<b>Rated Specification</b>		<b>Lowering / Raising Specification</b>	
Type	Compact	Model	CSI 7
Model	CSI 7	Lifting weight of fitting	2 - 7kg
Option	Standard	Lowering distance (m)	10
Operating voltage	110-277v 50/60hz	Lowering / Raising Speed	3.0/3.8 m/min
Wattage	20w	<b>Lamp Circuit</b>	
Dimensions	140x140x216mm	Model	CSI 7
Unit Net Weight	3.0kg	No. Of Circuits	1
Ambient Temperature	-15* to 40*	No. Of Contacts	2
<b>Construction</b>		Lamp Capacity	16 amp
Model	CSI 7		
Protection category	IP54	<b>Certification</b>	
Suspension Wire Dia	1.2mm	Standards	ETL, CE, TUV,

### Safety Locking Device :



The Safety locking device provides additional security when the lift is at rest.

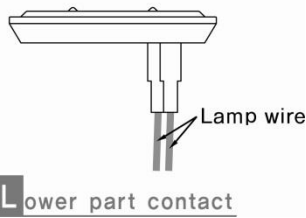
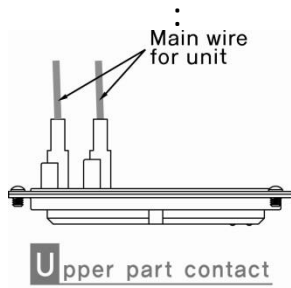
Special safety locking jaws engage to take the load off the suspension cables.

The jaws remain locked even in the event of a power failure and only disengage when the lift is operated.

Electrical contact is made by way of spring loaded contacts plates within the main unit and fixed contacts in the lowering coupler of the lift.

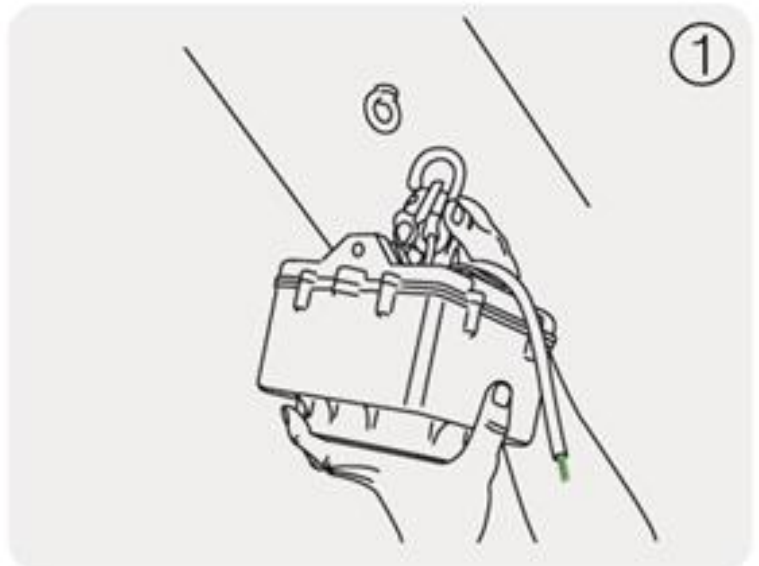
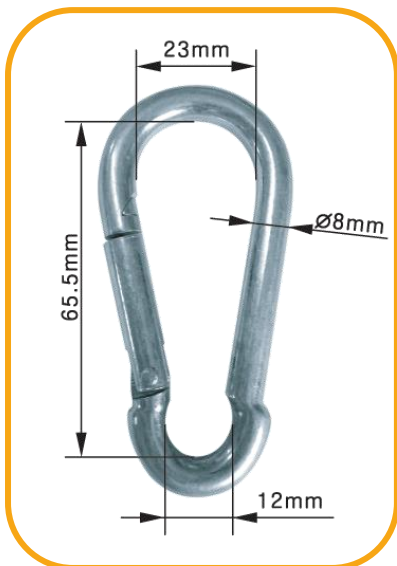
Upon lowering the lift the internal relay isolates the electrical supply, once in the raised position the relay returns power to the lower contacts

### Electrical Contact Plates

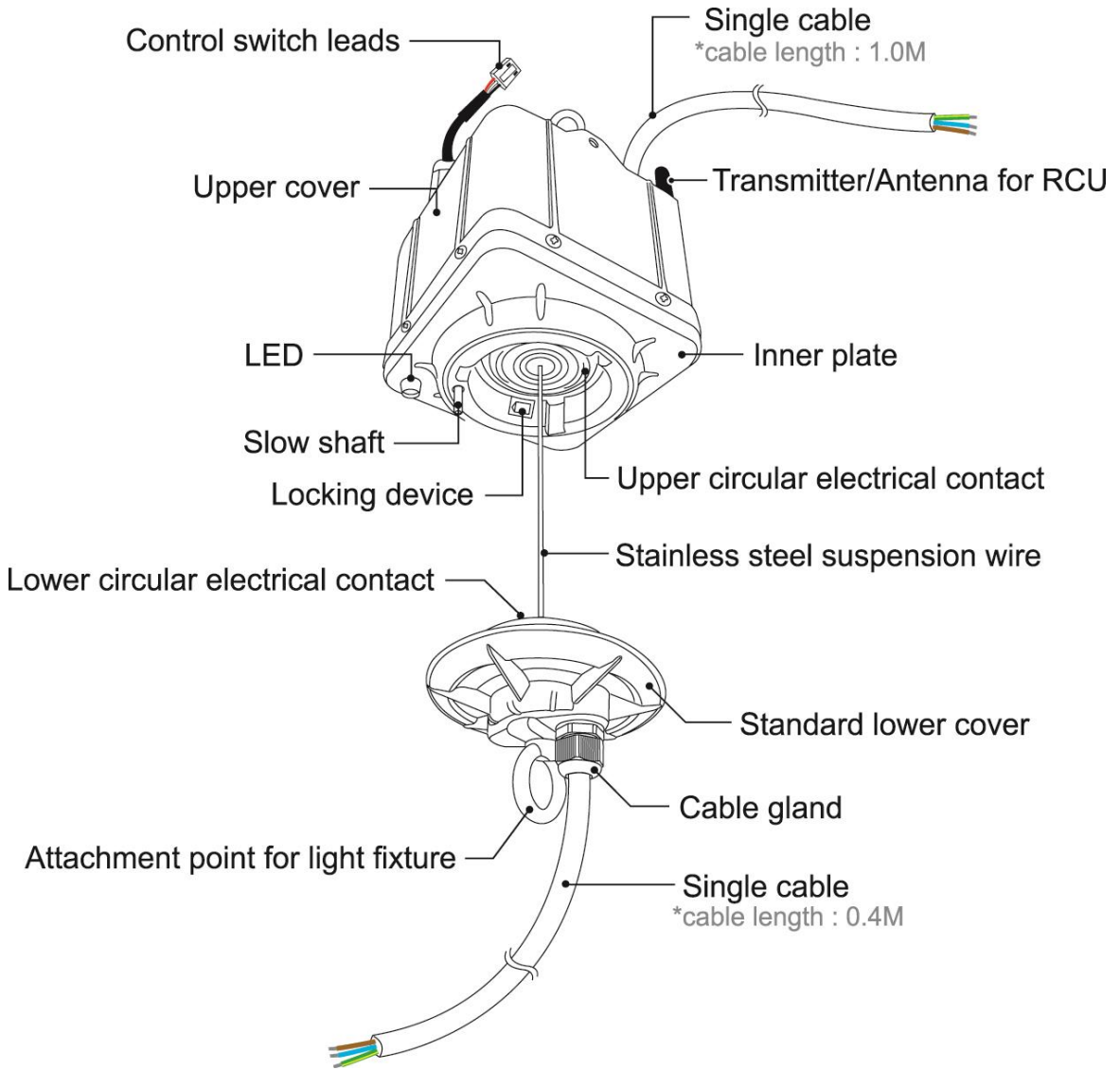


### Standard mounting option :

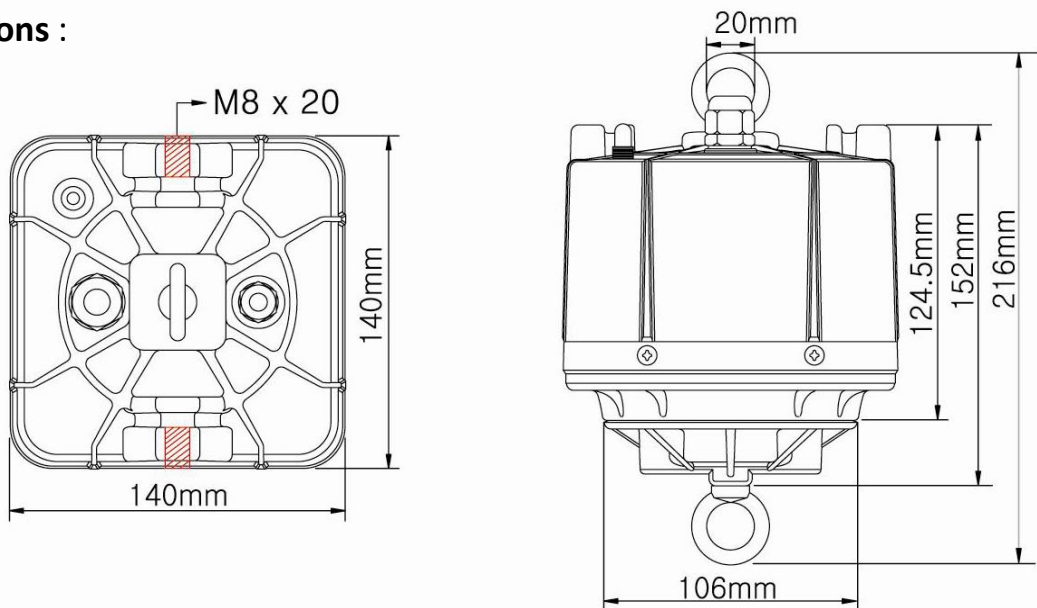
NB\* Secondary fixing point or tether maybe required, If in doubt please consult a structural engineer for advise



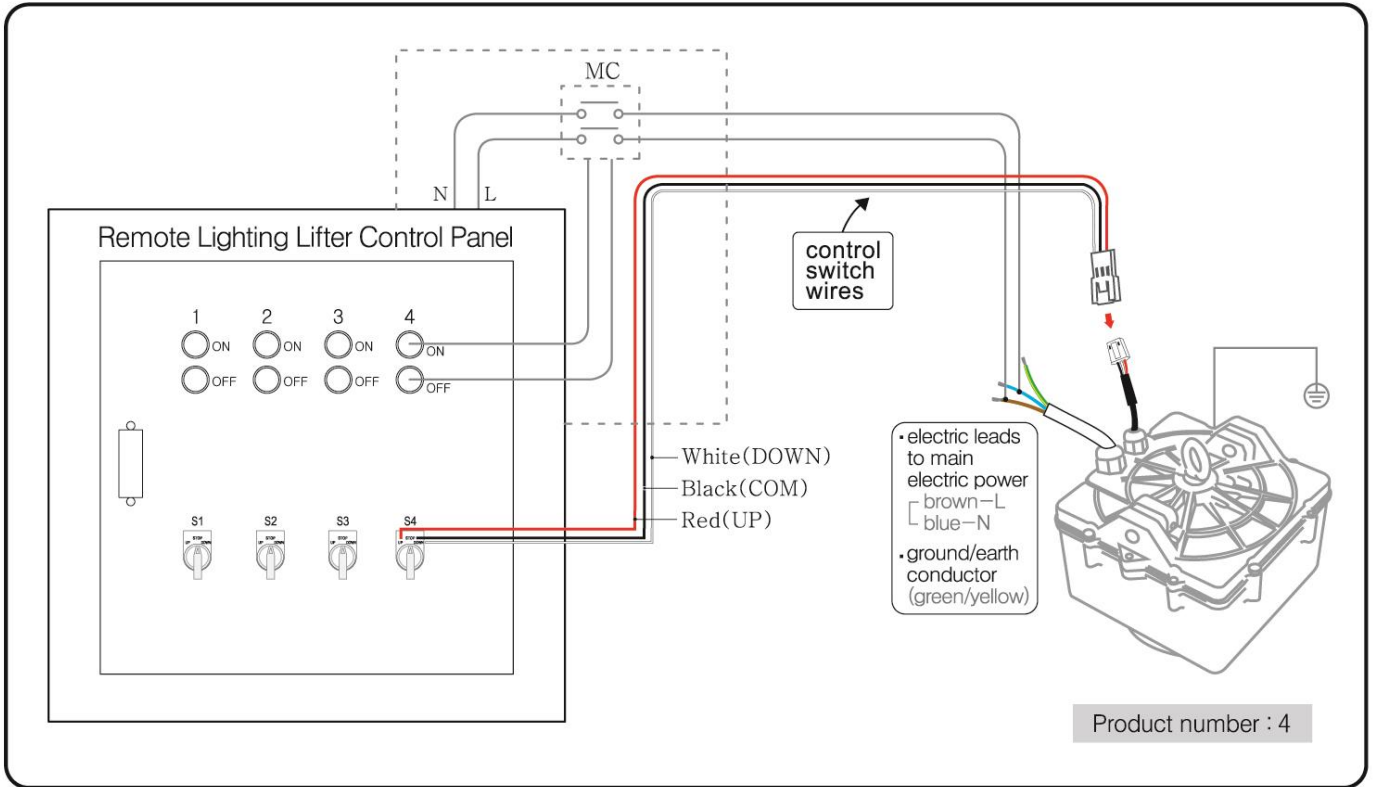
**Product Overview :**



**Dimensions :**



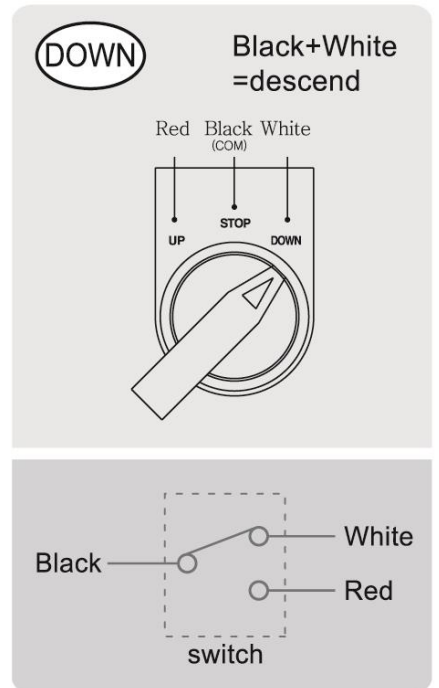
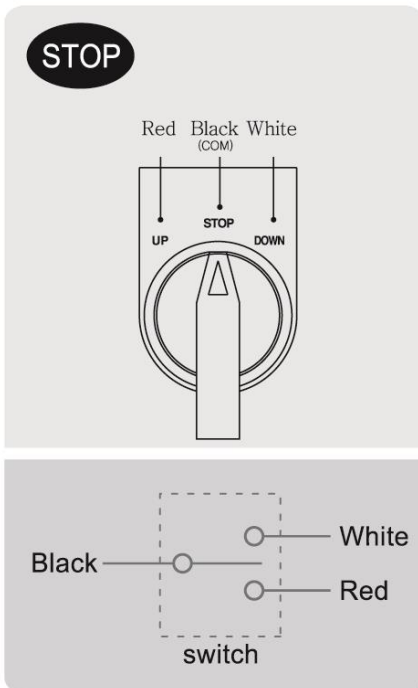
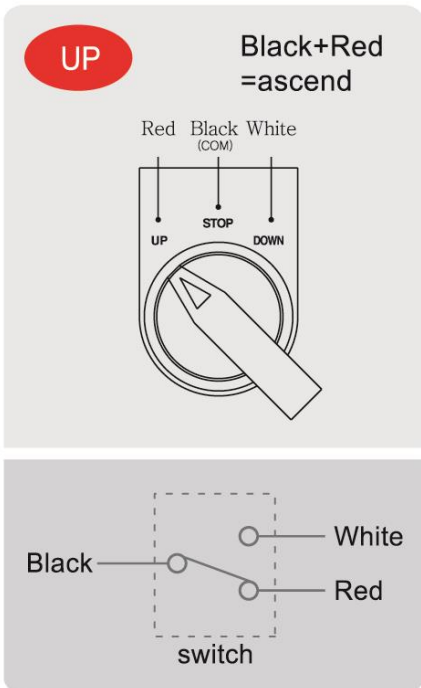
**Keyswitch operation example :**



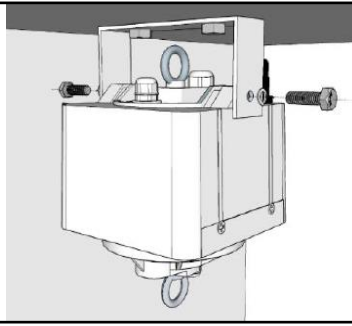
**Keyswitch Control :**

**Control switch**

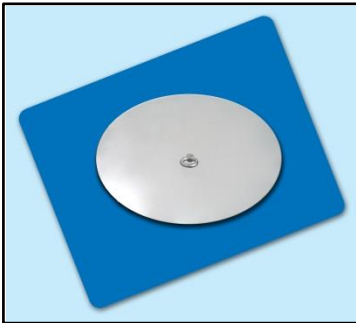
**⚠ Do not connect Black+Red+White  
Do not connect any voltage.**



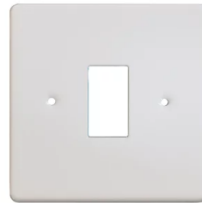
**Optional Product Accessories Examples :**



**MB A :** Bracket to securely mount the lift to the ceiling substrate with two points of fixing.



**RCP :** Recessed cover to conceal the lift behind a suspended ceiling to conceal the lift from view.



**Keyswitch :**  
Retractable two way keyswitch for lower and raising the hoist fits single pattress



**REEL TECH UK LTD**

**Foxlea Lodge**

**Holcot Road**

**Brixworth**

**Northampton**

**NN6 9BS**

**United Kingdom**

**T: 01604 643522**

**E: [enquiries@reeltechuk.com](mailto:enquiries@reeltechuk.com)**

**[www.reeltechuk.com](http://www.reeltechuk.com)**