

Kavex Textured Cladding Installation Guide



Traditional timber cladding and weatherboarding is very susceptible to weather and typically requires regular attention and investment to maintain its appearance and to prevent decay and failure.

Kestrel PVC-UE Textured Cladding provides a stylish and effective means to protect and decorate the exterior of buildings – without the need for the continual and costly maintenance associated with traditional timber.

Available in three styles, Shiplap, V-Joint and Feather Edge, with a textured wood effect finish, and in five colours to allow extra versatility and greater possibilities on external cladding and weatherboarding projects.

Features and Benefits

- For use on all building types including Domestic, Commercial and Industrial - new build or refurbishment
- Profiles, accessories and fixings adaptable to almost any configuration, colour matched for visual integrity
- Completely unaffected by damp, rot, decay, frost and insect attack
- Low maintenance
- Shiplap available in 150mm(single) and 300mm(double) plank format for rapid installation
- Feather Edge available in 270mm double plank format for rapid installation
- V-Joint available in 150mm single plank
- Lower thermal conductivity than timber, concrete, mineral fibre boards or brick (0.06 W/mK)
- Can be installed using traditional wood working skills, practices and tools
- 5 colours to enhance any installation
- Unique wood-grain effect brings all the benefits of timber without the maintenance drawbacks
- Higher rigidity and deeper emboss than traditional thin walled Vinyl siding
- Guaranteed against defects and discolouration



Lifetime comparison costs of Kavex PVC-UE compared to timber?

Although PVC-UE has higher installation costs, timber has ongoing painting and maintenance requirements which equates to approximately 1/3 of the installation costs every 3 to 5 years. Cellular PVC offers many advantages over traditional cladding solutions but particularly that it will not rot and is not susceptible to vermin infestation. Any type of wood which is exposed to environmental elements by being installed on the external part of a building will have to be treated and maintained to preserve its appearance and integrity.

Typical physical properties

Coefficient of Thermal Expansion	5x10 ⁻⁵ °C
Coefficient of Thermal Conductivity	0.06W/mK

Fire Performance

Kavex textured cladding achieves a Class 2 Y Surface Spread of Flame classification when tested in accordance with BS476 Part 7.

Available Colours



White W



Sand RAL 1015



Cream RAL 9001

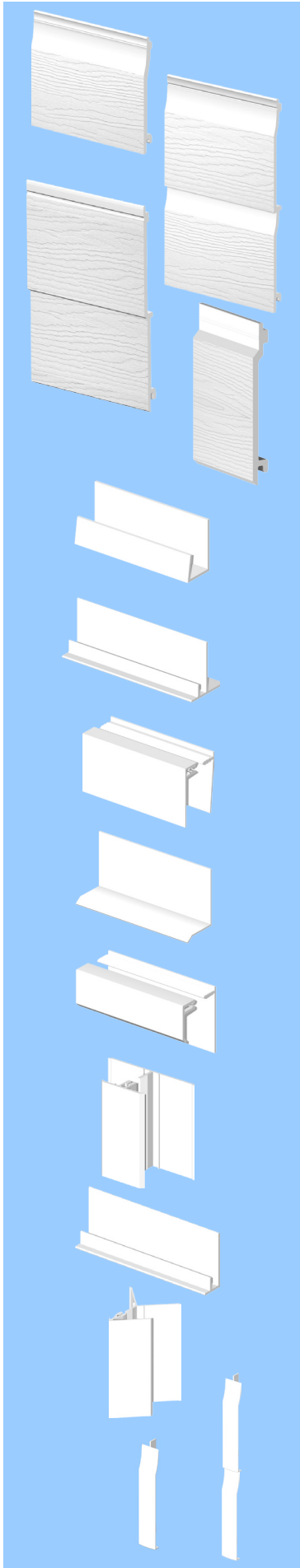


Light Grey RAL 7035



Light Blue X002

Textured Cladding Product Guide



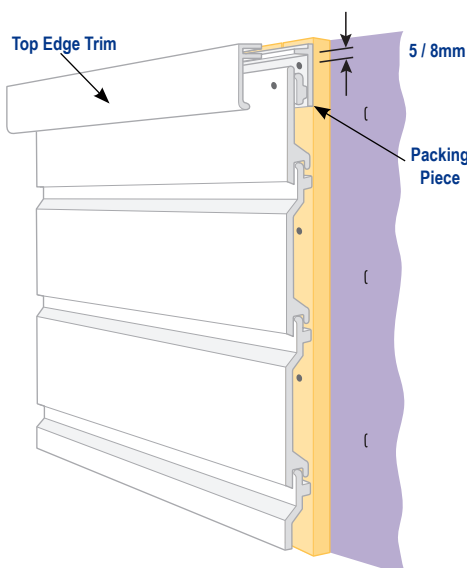
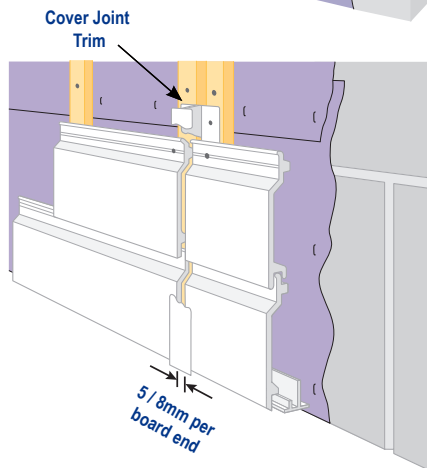
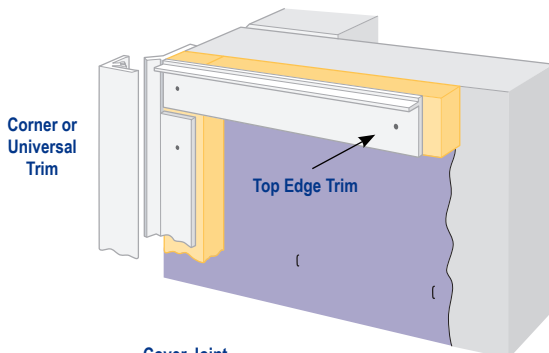
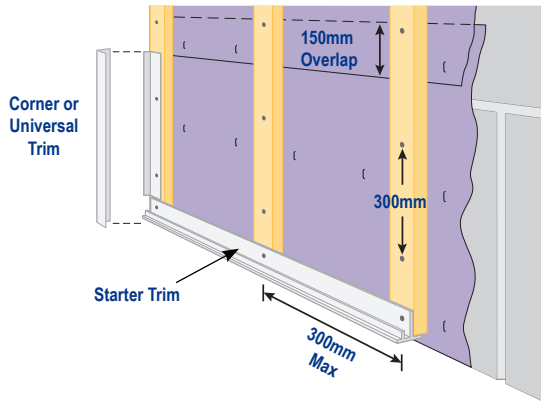
KAVEX RANGE - TEXTURED CLADDING

		Pack Qty	W	1015	9001	7035	Light Blue
DCE/150/	150mm - Textured Shiplap Cladding	5 x 5m	✓	✓	✓	✓	✓
DCE/300/	300mm - Twin Plank Textured Shiplap Cladding	4 x 5m	✓	✓	✓	✓	✓
DCE/270/	270mm - Twin Plank Textured Feather Edge Cladding	4 x 5m	✓	✓	✓	✓	✓
SVE/150/	150mm - Textured V-Joint Cladding	5 x 5m	✓	✓	✓	✓	✓

TEXTURED CLADDING ACCESSORIES

5501/	Universal Channel	10 x 5m	✓	✓	✓	✓	✓
5504/	Starter Trim with Batten Cover	10 x 5m	✓				
5505/	2 Part Top Edge Trim	5 x 5m	✓	✓	✓	✓	✓
5506/	Drip Trim	10 x 5m	✓	✓	✓	✓	✓
5507/	2 Part Universal Trim	5 x 5m	✓				
5509/	2 Part Centre Joint Trim	5 x 5m	✓	✓	✓	✓	✓
5510/	Wall Starter Trim	10 x 5m	✓	✓	✓	✓	✓
5513/	2 Part Int/Ext Corner Trim	5 x 5m	✓	✓	✓	✓	✓
5512/	150mm Cover Joint	20	✓	✓	✓	✓	✓
DCE/JNT	300mm Embossed Cover Joint	10	✓	✓	✓	✓	✓

Textured Cladding Installation Guide



Kavex PVC-UE single & double textured Shiplap Cladding.

Horizontal Cladding

- Start with batten configuration detail and placement of the breather membrane.
- Ensure breather membrane is positioned beneath the batten system against the substrate.

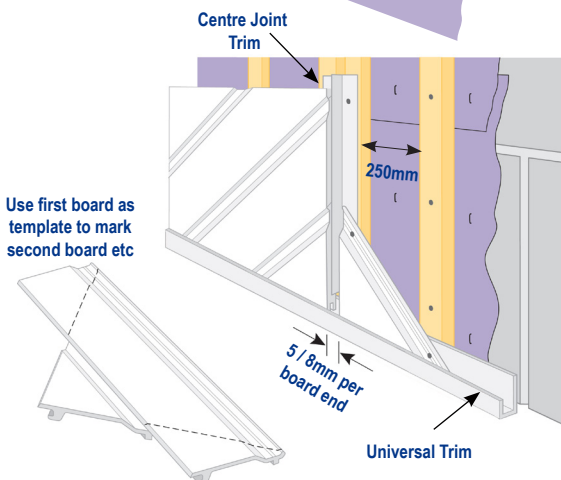
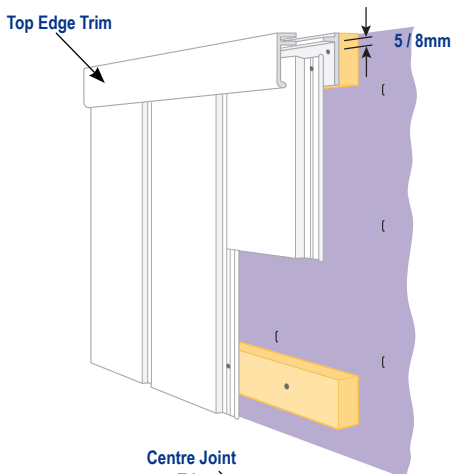
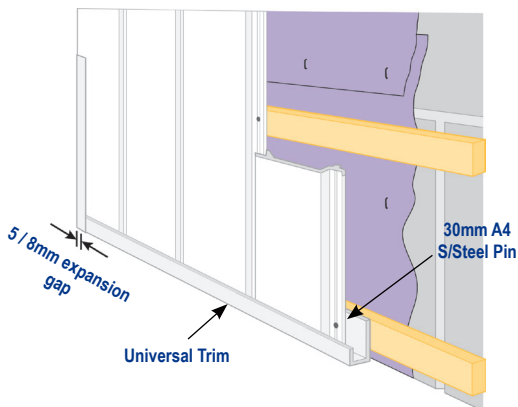
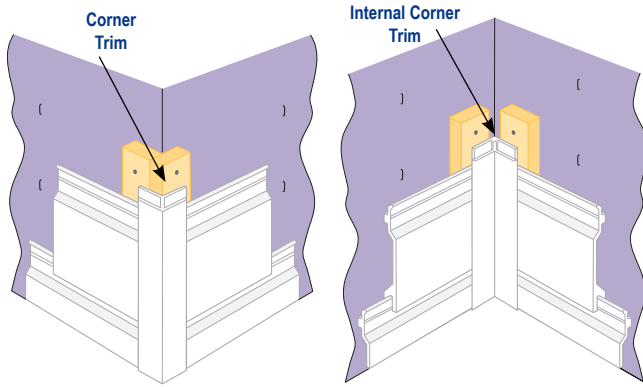
Battens

- Set out and fix 25mm x 38mm tannalised battens vertically.
- Ensure battens are parallel straight and level.
- Fix battens to the substrate at 300mm maximum centres.
- Fix a tannalised batten along the top of the installation.
- No batten is needed along the base of the cladding system because it relies on this opening to dispel excess moisture and to be used as a point of ventilation.

Trims

- Fix the starter trim to the battens at the base of the installation with 20mm A4 stainless steel nails.
- The starter trim is designed to locate the first cladding plank.
- Measure and cut to size the vertical universal trim or corner trim notch out at the rear of the trim.
- Ensure that the trim is straight and plumb and fix onto batten with A4 20mm stainless steel fixings at 250mm-300mm intervals.
- **Trims are designed to take up expansion - ensure a 5mm gap between board edges/ends and trim stops for White cladding and 8mm for RAL9001, RAL1015, RAL7035 and Light Blue.**
- Note there are two part versions of the vertical trims for use with horizontal and vertical cladding applications.
- Measure, cut and fix the top edge trim male extrusion to the top of the installation between the two vertical trims. Ensure you notch out the rear of the vertical trim to accommodate the male top edge extrusion.
- The installation is now ready to accept the first cladding plank.
- Measure first cladding plank ensuring that there is the correct gap left on either end of the plank for expansion.
- Before fixing plank locate groove section of the cladding plank into the location lip of the starter trim.
- Ensure plank is straight and level using a spirit level.
- Fix plank to each batten centre using A4 30mm stainless steel nails or 8-gauge x 30mm stainless steel countersunk headed screws.
- Ensure fixings pass through nail/screw guideline groove as the boards are a concealed fix.
- Locate second board, ensure groove of second board covers the tongue of the first board fully as not to show nail/screw heads.
- Follow this procedure until you reach the top of the installation, ensuring that each board is located properly.
- Ensure the installation is checked for level every three boards.
- Measure width of last board.
- Cut down last board and use the off cut tongue of the board as packing material. This will be spot glued (Cynoacrylate adhesive) to the back of the last cladding plank and then nailed through into the top batten once located.
- Locate top cladding plank & fix through plank into top batten.
- Cut and snap on female part of trims to the vertical male extrusion ensuring that the trim finishes at the top of the installation.
 - Measure cut and snap on the top edge trim ensuring that the trim is fixed between the two vertical trims.

Textured Cladding Installation Guide



Vertical cladding

The same preliminary work as a horizontal cladding application will need to be completed before cladding can commence.

Preliminary work

- Secondary waterproofing membrane.
- Batten orientation and spacing.
- Battens to be installed horizontally for a vertical cladding application.
- A top batten and bottom batten are required.

Method

- Fix battens at the correct 300mm centres.
- Pack out battens where necessary to ensure they sit straight & level.
- Measure, cut and fix drip trim to base of installation to act as a first location for the cladding plank.
- It is important to use two part trims on a vertical cladding application.
- Measure, cut and fix universal trim male extrusion to vertical edges of installation (flat section panel application).
- Measure, cut and fix universal trim to top of cladding installation.
- Measure and cut first cladding plank ensuring that there is 5 / 8mm removed from each end of the plank for expansion.
- Fix first plank with A4 30mm stainless steel nails or A4 – 8 gauge x 30mm A4 stainless steel screws ensuring that the plank sits neatly inside the vertical end trim to start the cladding line. The female part of the trim when snapped on will locate the groove intersection of the cladding board. It is advisable to nail through the base of the board to hold it in position, then snap on the trim female part to hide the fixings.
- Ensure the cladding board is plumb using a spirit level.
- Nail/screw the first board through the nail/screw groove guide lines on the board at every batten centre.
- The boards are a concealed fix so ensure the nail/screw heads are flush with board and through the nail/screw groove guide.
- Work from left to right of the installation and measure cut and fix each board in turn.
- The boards should be checked for plumb every three boards.
- Also check that each board is located properly.
- Measure and cut the last board allowing for the correct expansion gap & engage it into the trim. The tongue of the board will be used as a packing piece to ensure the board is fixed securely into the trim.
- Cut and spot glue the tongue of the board (Cynoacrylate adhesive) to the rear of this last board.
- Fix the board with A4 grade 30mm stainless steel nails or A4 - 8 gauge x 30mm stainless steel screws through the face beneath where the finishing trim is being located.
- Measure, cut and snap-on vertical trims.
- Measure, cut and snap-on the horizontal top edge trim to finish installation.

Diagonal cladding

The same preliminary work & installation techniques as a horizontal cladding installation will need to be observed with a few differences.

Method

- Reduce batten centres to 250mm.
- Measure, cut and fix drip trim or universal trim to base of installation to act as a first location for the cladding plank.
- Use 2-part Centre Joint Trim fixed on twin battens if cladding is to be mirrored.
- Use first plank as a template to mark out second plank and so on.