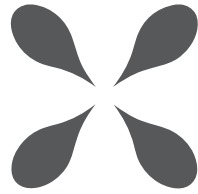




LEVEL SIX



levelsix

OWNER'S GUIDE



IMPORTANT

READ THIS IMPORTANT INFORMATION BEFORE USING YOUR STAND-UP PADDLEBOARD

DISREGARDING ANY OF THE SAFETY PRECAUTIONS AND INSTRUCTIONS CONTAINED IN THE OWNER'S MANUAL AND/OR ON THE PRODUCT MAY RESULT IN INJURY, INCLUDING THE POSSIBILITY OF DEATH.

- REVIEW THE WEIGHT CAPACITY LIMITATIONS OF THIS BOARD AND NEVER EXCEED IT.
- ALWAYS WEAR A COAST GUARD APPROVED PERSONAL FLOTATION DEVICE (PFD).
- NEVER GO PADDLEBOARDING IN SEVERE WEATHER OR WATER CONDITIONS THAT MIGHT AFFECT YOUR ABILITY TO STEER THE BOARD OR RETURN TO SHORE.
 - NEVER ALLOW MINORS TO USE THIS BOARD WITHOUT ADULT SUPERVISION.
 - NEVER CONSUME ALCOHOL OR ANY OTHER SUBSTANCES THAT MAY IMPAIR YOUR COORDINATION, JUDGEMENT, OR ABILITY TO SAFELY PADDLE THE BOARD.
 - NEVER USE THIS BOARD BEYOND YOUR SKILLS OR ABILITY.
- NEVER USE THIS PRODUCT AFTER SUNSET, BEFORE DAWN OR AT ANY TIME IN POOR LIGHTING.
- CHECK LOCAL LAWS AND REGULATIONS REGARDING PROPER AND SAFE USE OF THIS PRODUCT.
 - NEVER LEAVE BOARD EXPOSED TO DIRECT SUNLIGHT WHEN OUT OF THE WATER.
- DO NOT STORE PADDLE BOARD IN A WET BOARD BAG FOR EXTENDED PERIODS OF TIME.
 - DO NOT LEAVE BOARD IN BAG UNDER DIRECT SUNLIGHT.
 - TIGHTEN VENT CAP BEFORE TAKING BOARD INTO THE WATER.
- REGULARLY INSPECT VENT CAP O-RING FOR CRACKS, TEARS AND/OR DAMAGE BEFORE USE.
 - FOR BEST VENTING, REPLACE YOUR CAP AND CAP SEAL ANNUALLY.

TABLE OF CONTENTS

SECTION 1:

IDENTIFYING PARTS
& ACCESSORIES PAGES 4 - 14

WEIGHT CAPACITIES
BY MODEL PAGE 15

SECTION 2:

CARE & MAINTENANCE PAGES
16 - 17

SECTION 3:

VENTING PAGES 18 - 19

SECTION 4:

FIN INSTALLATION PAGES 20 - 21

SECTION 5:

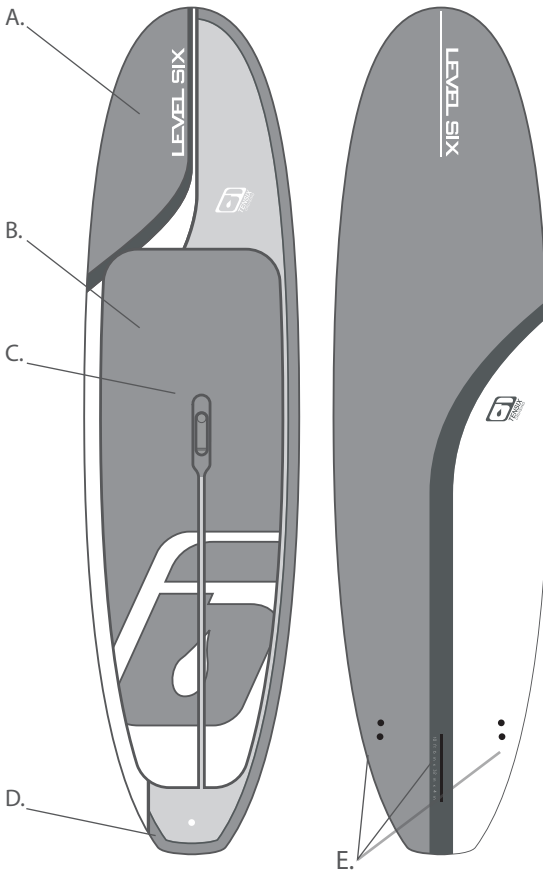
TRANSPORTATION TIPS PAGE
22

SECTION 6:

LIMITED LIFETIME WARRANTY
PAGE 23

QUESTIONS | WARRANTY | PARTS & ACCESSORIES:
1-877-2LEVEL6
INFO@LEVELSIX.COM

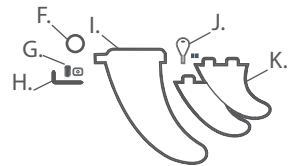
SECTION 1 | IDENTIFYING PARTS & ACCESSORIES

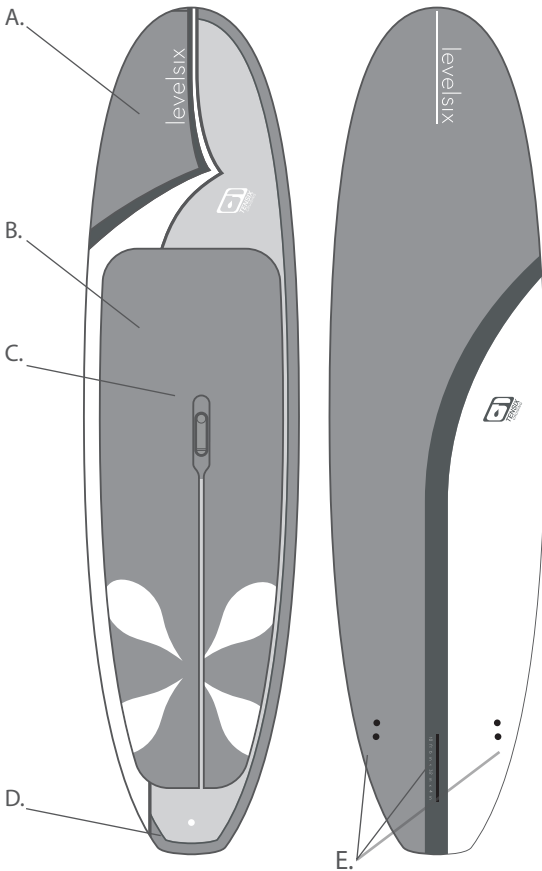


TEN-SIX

10 ft 6 in x 32 in x 4 in

- A. STAND-UP PADDLEBOARD
- B. DECK TRACTION PAD
- C. VENT HANDLE W/CAP
- D. LEASH PLUG
- E. FIN BOX/PLUGS
- F. SPARE VENT CAP
- G. FIN SCREW AND PLATE
- H. STABILIZER FIN KEY
- I. STABILIZER FIN
- J. RAIL FIN KEY & SCREWS
- K. RAIL FIN

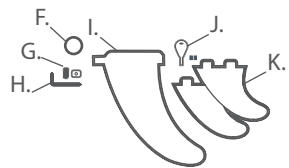




TEN-SIX

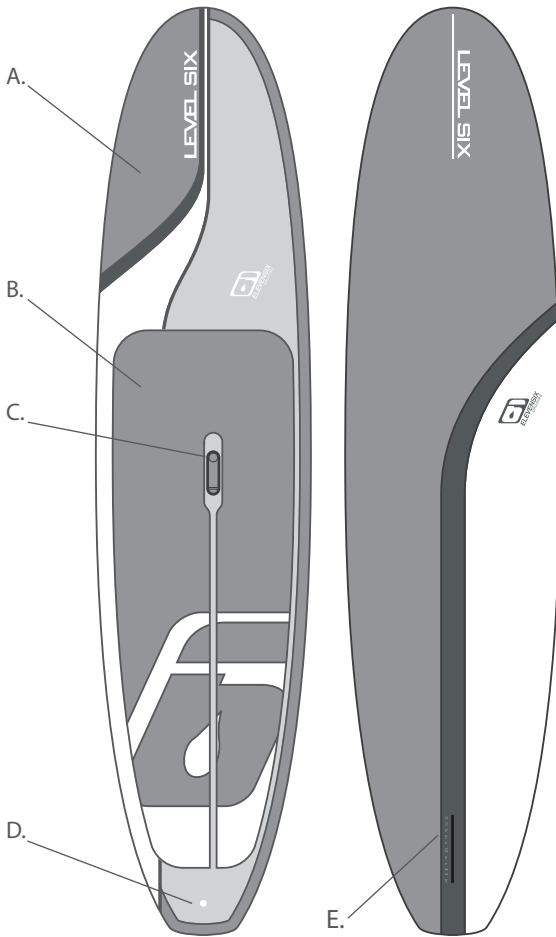
10 ft 6 in x 32 in x 4 in

- A. STAND-UP PADDLEBOARD
- B. DECK TRACTION PAD
- C. VENT HANDLE W/CAP
- D. LEASH PLUG
- E. FIN BOX/PLUGS
- F. SPARE VENT CAP
- G. FIN SCREW AND PLATE
- H. STABILIZER FIN KEY
- I. STABILIZER FIN
- J. RAIL FIN KEY & SCREWS
- K. RAIL FINS



QUESTIONS | WARRANTY | PARTS & ACCESSORIES:
 1-877-2LEVEL6
 INFO@LEVELSIX.COM

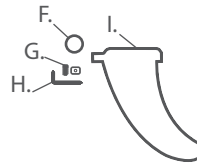
SECTION 1 | IDENTIFYING PARTS & ACCESSORIES

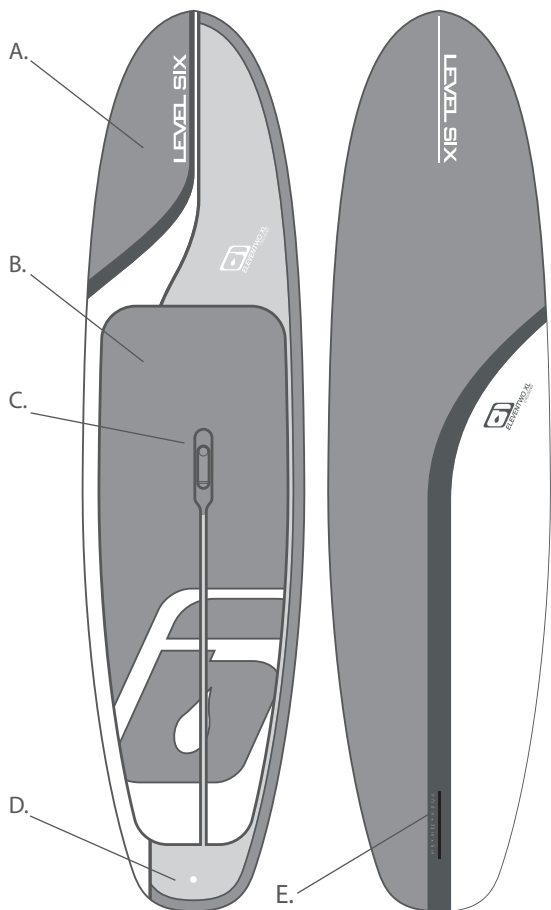


ELEVEN-SIX

11 ft 6 in x 32 in x 4.4 in

- A. STAND-UP PADDLEBOARD
- B. DECK TRACTION PAD
- C. VENT HANDLE W/CAP
- D. LEASH PLUG
- E. FIN BOX
- F. SPARE VENT CAP
- G. FIN SCREW AND PLATE
- H. FIN KEY
- I. STABILIZER FIN

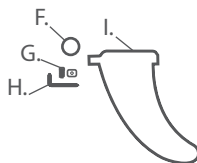




ELEVEN-TWO XL

11 ft 2 in x 33 in x 5 in

- A. STAND-UP PADDLEBOARD
- B. DECK TRACTION PAD
- C. VENT HANDLE W/CAP
- D. LEASH PLUG
- E. FIN BOX
- F. SPARE VENT CAP
- G. FIN SCREW AND PLATE
- H. FIN KEY
- I. STABILIZER FIN

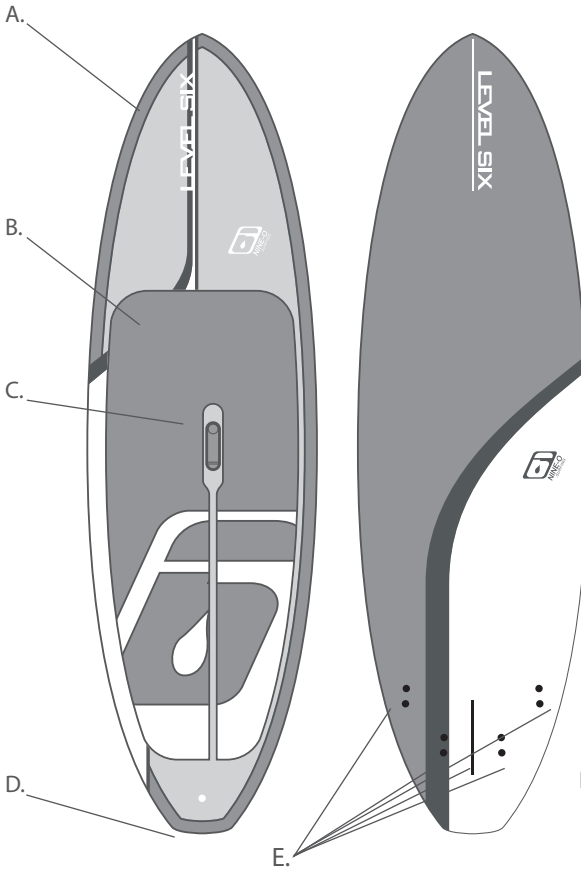


QUESTIONS | WARRANTY | PARTS & ACCESSORIES:
 1-877-2LEVEL6
 INFO@LEVELSIX.COM

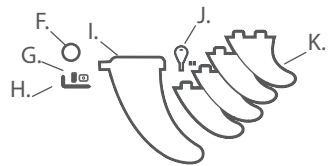
SECTION 1 | IDENTIFYING PARTS & ACCESSORIES

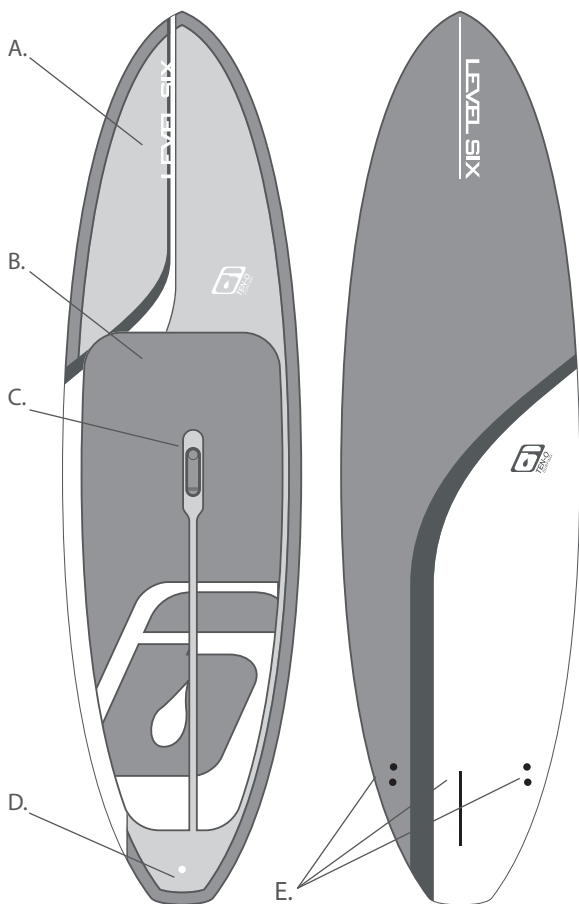
NINE-O

9 ft x 31 in x 4.4 in



- A. STAND-UP PADDLEBOARD
- B. DECK TRACTION PAD
- C. VENT HANDLE W/CAP
- D. LEASH PLUG
- E. FIN BOX/PLUGS
- F. SPARE VENT CAP
- G. FIN SCREW AND PLATE
- H. STABILIZER FIN KEY
- I. STABILIZER FIN
- J. RAIL FIN KEY & SCREWS
- K. RAIL FINS

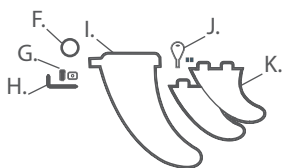




TEN-O

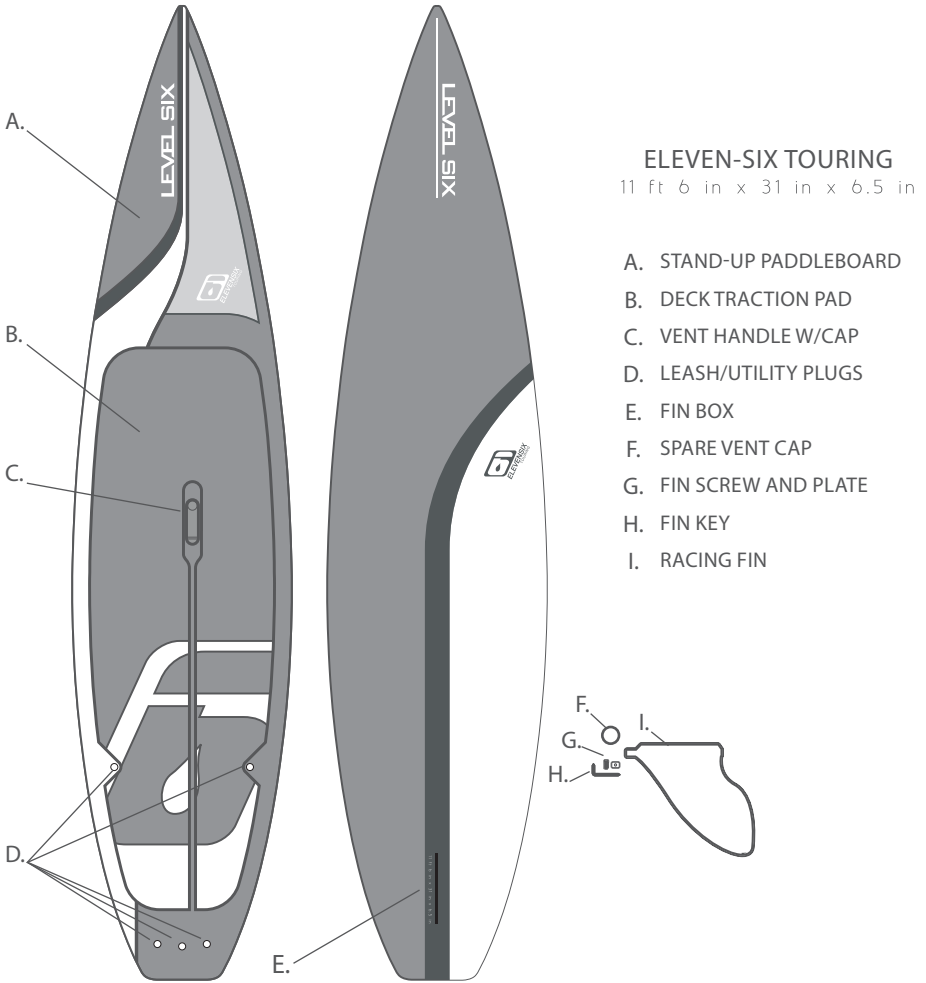
10 ft x 32 in x 4.6 in

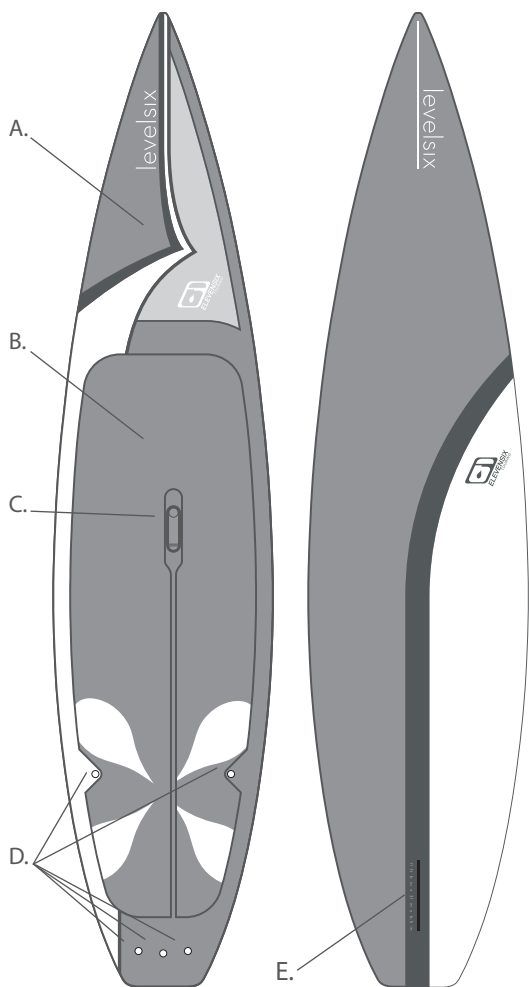
- A. STAND-UP PADDLEBOARD
- B. DECK TRACTION PAD
- C. VENT HANDLE W/CAP
- D. LEASH PLUG
- E. FIN BOX/PLUGS
- F. SPARE VENT CAP
- G. FIN SCREW AND PLATE
- H. STABILIZER FIN KEY
- I. STABILIZER FIN
- J. RAIL FIN KEY & SCREWS
- K. RAIL FINS



QUESTIONS | WARRANTY | PARTS & ACCESSORIES:
 1-877-2LEVEL6
 INFO@LEVELSIX.COM

SECTION 1 | IDENTIFYING PARTS & ACCESSORIES





ELEVEN-SIX TOURING

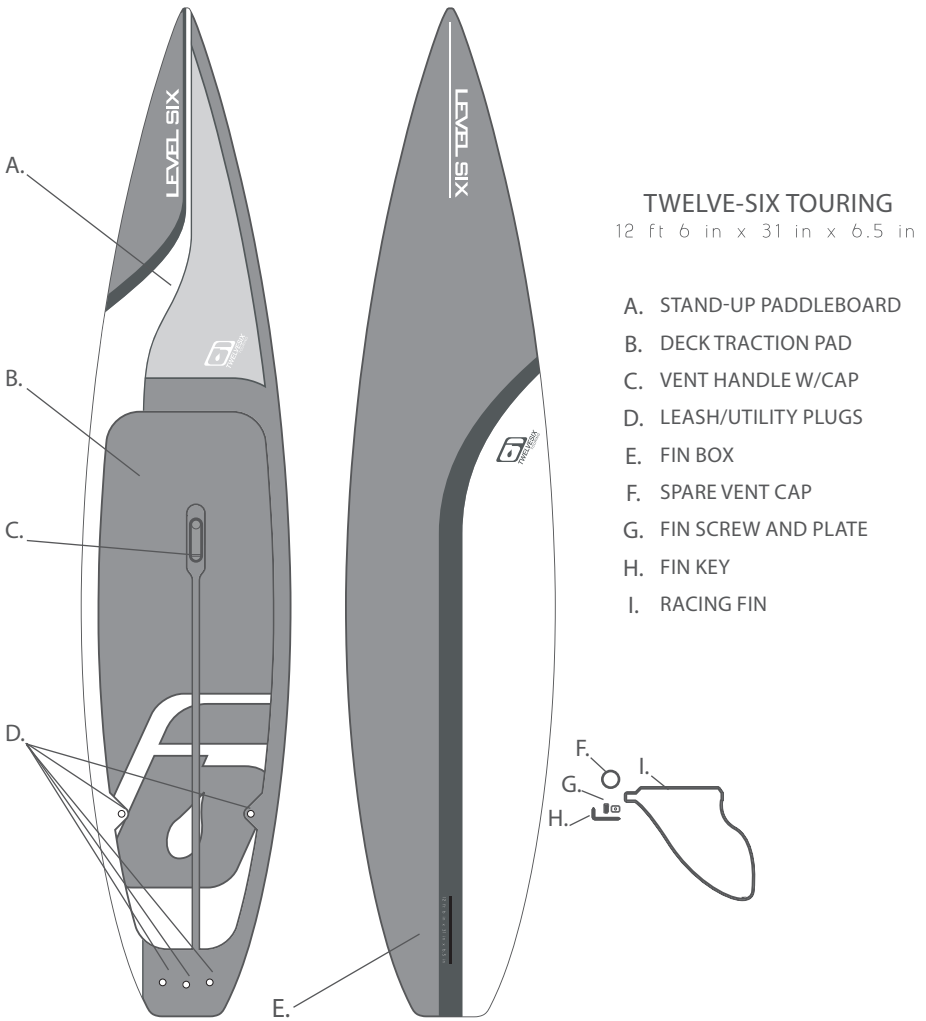
11 ft 6 in x 31 in x 6.5 in

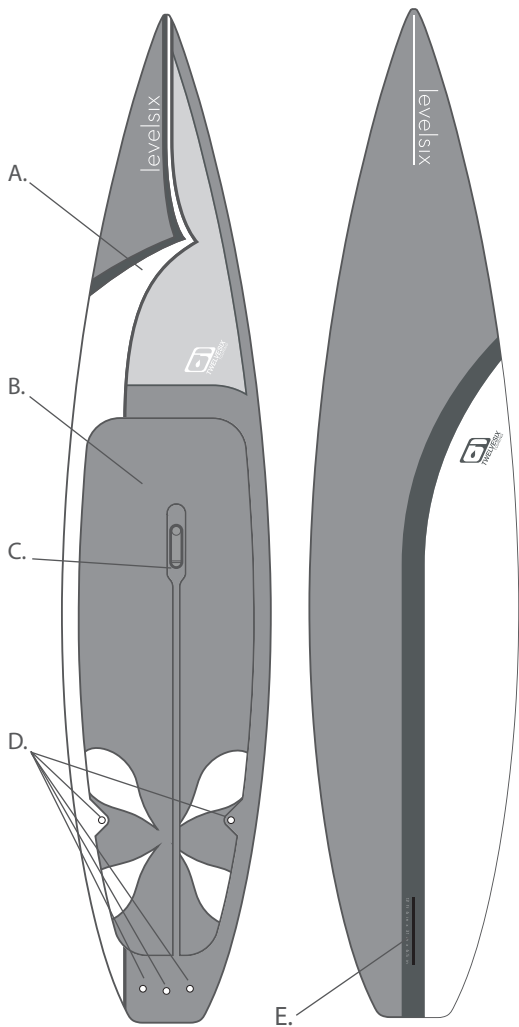
- A. STAND-UP PADDLEBOARD
- B. DECK TRACTION PAD
- C. VENT HANDLE W/CAP
- D. LEASH/UTILITY PLUGS
- E. FIN BOX
- F. SPARE VENT CAP
- G. FIN SCREW AND PLATE
- H. FIN KEY
- I. RACING FIN



QUESTIONS | WARRANTY | PARTS & ACCESSORIES:
 1-877-2LEVEL6
 INFO@LEVELSIX.COM

SECTION 1 | IDENTIFYING PARTS & ACCESSORIES





TWELVE-SIX TOURING

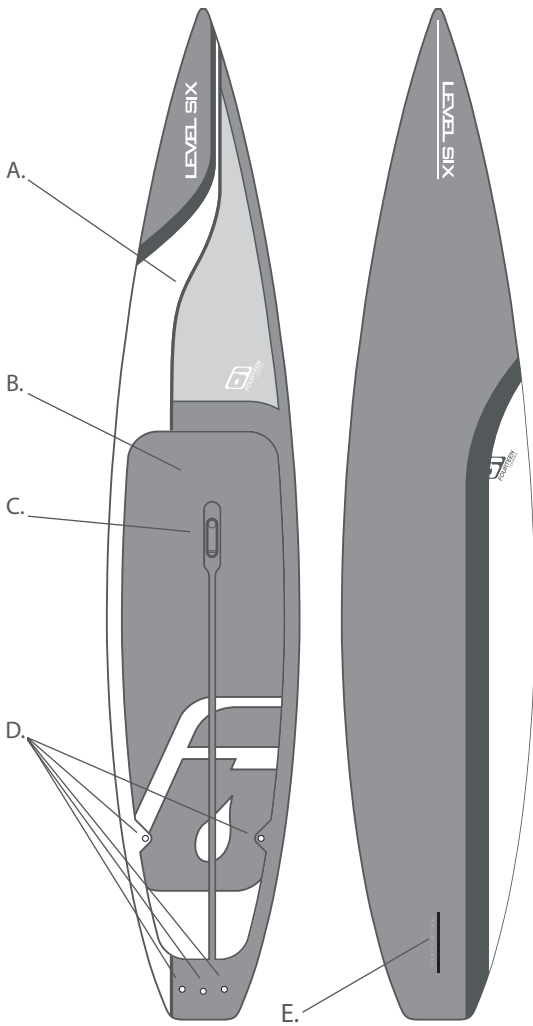
12 ft 6 in x 31 in x 6.5 in

- A. STAND-UP PADDLEBOARD
- B. DECK TRACTION PAD
- C. VENT HANDLE W/CAP
- D. LEASH/UTILITY PLUGS
- E. FIN BOX
- F. SPARE VENT CAP
- G. FIN SCREW AND PLATE
- H. FIN KEY
- I. RACING FIN



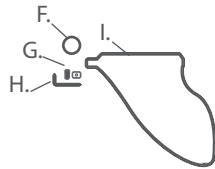
QUESTIONS | WARRANTY | PARTS & ACCESSORIES:
 1-877-2LEVEL6
 INFO@LEVELSIX.COM

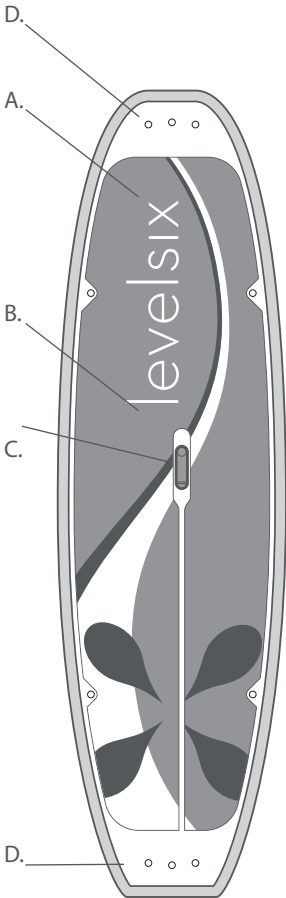
SECTION 1 | IDENTIFYING PARTS & ACCESSORIES



FOURTEEN TOURING
14 ft x 32 in x 6.5 in

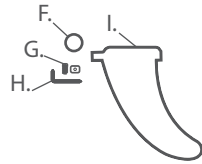
- A. STAND-UP PADDLEBOARD
- B. DECK TRACTION PAD
- C. VENT HANDLE W/CAP
- D. LEASH/UTILITY PLUGS
- E. FIN BOX
- F. SPARE VENT CAP
- G. FIN SCREW AND PLATE
- H. FIN KEY
- I. RACING FIN





TEN YOGA
10 ft x 34 in x 4.1 in

- A. STAND-UP PADDLEBOARD
- B. DECK TRACTION PAD
- C. VENT HANDLE W/CAP
- D. LEASH PLUG
- E. FIN BOX
- F. SPARE VENT CAP
- G. FIN SCREW AND PLATE
- H. FIN KEY
- I. STABILIZER FIN



QUESTIONS | WARRANTY | PARTS & ACCESSORIES:
1-877-2LEVEL6
INFO@LEVELSIX.COM



WEIGHT CAPACITIES BY MODEL

The following suggested weight capacities are based on a novice skill level. As rider skill increases, the recommended board volume can decrease. The following capacities are suggested limits determined by physical data alone and do not account for individual rider agility and/or environmental conditions.

MODEL	BOARD VOLUME	MAX. RIDER WEIGHT
TEN-SIX	174 Liters	190 Lbs
ELEVEN-SIX	209 Liters	250 Lbs
ELEVEN-TWO XL	252 Liters	310 Lbs
NINE-0	152 Liters	175 Lbs
TEN-0	176 Liters	190 Lbs
TEN-0_YOGA	202 Liters	220 Lbs
ELEVEN-SIX TOURING	222 Liters	200 Lbs
TWELVE-SIX TOURING	241 Liters	240 Lbs
FOURTEEN TOURING	279 Liters	240 Lbs

QUESTIONS | WARRANTY | PARTS & ACCESSORIES:
1-877-2LEVEL6
INFO@LEVELSIX.COM

SECTION 2 | CARE & MAINTENANCE



KEEP IN A WELL VENTILATED, SHADED AREA WHEN NOT IN USE.

Direct sunlight can damage a board if left exposed for a period of time. At approximately 74°C (165°F) all EPS foam begins to out-gas, become unstable and delaminate. Delamination is characterized by a separation of the board's core from the protective epoxy skin. Delamination is a damage that is not repairable and should be avoided at all costs. Keep your board in an area with good air flow and circulation. Leaving your board in a vehicle during the day (closed or open) elevates the risk for delamination. Even on a mild day at 21°C (mid-to-high 70°F), the inside of a car can reach 77°C (170° F), well above the out-gas temperature threshold.



LIMIT EXPOSURE OF DIRECT SUNLIGHT TO THE DECK-SIDE OF THE BOARD.

While the benefits of a non-slip traction pad are obvious, they also increase the risk of overheating and delamination. While in use, water flowing over the deck helps to regulate surface temperature. But when the deck traction pad is dry, the effects of heat absorption are amplified under direct sunlight. If you must expose your board to direct sunlight during transport or temporary storage, it is safest to keep the white (bottom) facing up.



OVERHEATING YOUR PADDLEBOARD IS NOT COVERED BY MANUFACTURING WARRANTY!



DO NOT STORE YOUR BOARD IN A BOARD BAG FOR EXTENDED PERIODS OF TIME.

Board bags are intended for transportation protection, not full time storage. Prolonged storage of a wet board in a wet board bag will have adverse effects on the finish of your board, leading to the possibility of mold, and osmotic blisters. Storing your board in a board bag is not the same as placing it in the shade. Board bags will collect heat and potentially overheat your board.



RINSE SAND AND SALTWATER DEPOSITS FROM YOUR BOARD AFTER USE.

Sun, sand and saltwater will degrade any man-made material over time. Rinse off sand and saltwater deposits from your paddle board with fresh water and store in a cool, dry environment after each use.

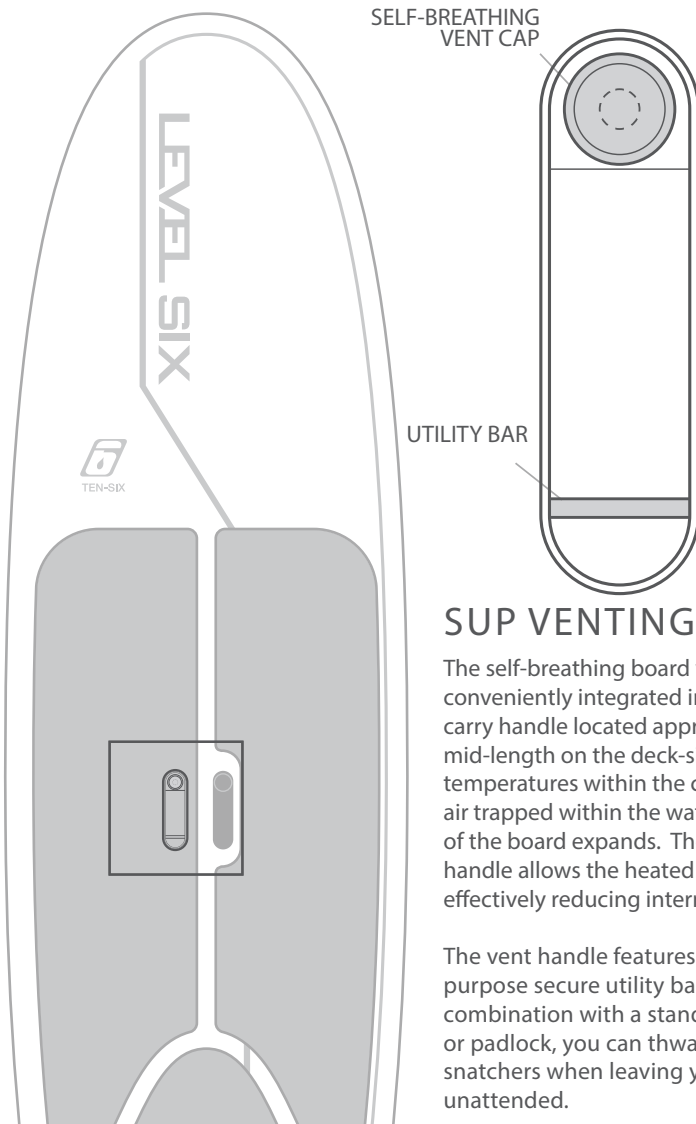


INSPECT YOUR BOARD FOR DINGS AND CRACKS BEFORE AND AFTER EACH USE.

The EPS Core of your board is highly absorbent and acts as a sponge when the protective watertight epoxy skin is compromised. To prevent your board from becoming waterlogged (heaviness and drag as a result of water absorption), regularly inspect the exterior for dings and cracks. If you spot a crack, patching with epoxy is the preferred method of repair.

QUESTIONS | WARRANTY | PARTS & ACCESSORIES:
1-877-2LEVEL6
INFO@LEVELSIX.COM

SECTION 3 | VENTING



SUP VENTING.

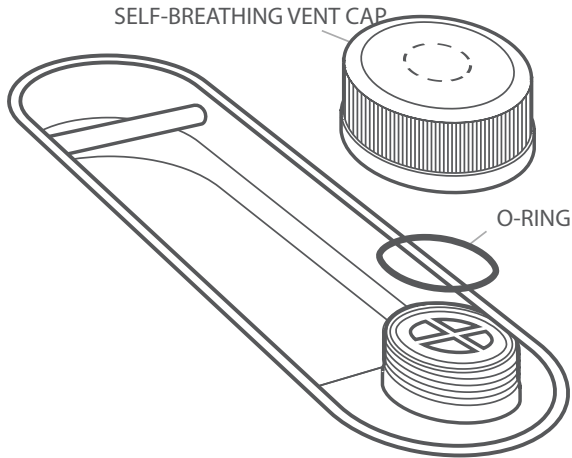
The self-breathing board vent is conveniently integrated into the carry handle located approximately mid-length on the deck-side. As temperatures within the core increase, air trapped within the watertight skin of the board expands. The vented handle allows the heated air to escape effectively reducing internal pressure.

The vent handle features a general purpose secure utility bar. In combination with a standard bike lock or padlock, you can thwart board-snatchers when leaving your board unattended.



CLOSE THE VENT BEFORE EACH USE OPEN THE VENT AFTER EACH USE.

While the vent handle comes equipped with a self-breathing GORE-TEX® membrane, it is always a good habit to manually vent your board after use to ensure ALL pressurized air escapes. To manually vent the board, simply unscrew and remove the vent cap. When manually venting, always remember to replace the vent cap before entering the water again. The EPS foam core acts like a sponge and will rapidly absorb water until the board is heavy and full of water.



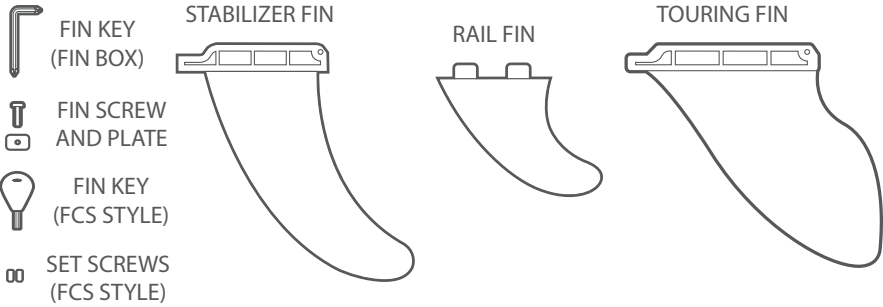
INSPECT O-RING FOR CRACKS OR TEARS.

When planning a day out, inspect the vent cap o-ring for cracks, tears or damage. A broken o-ring seal can lead to water entering the core. Replacement o-ring and cap sets are available for purchase online at www.levelsix.com.

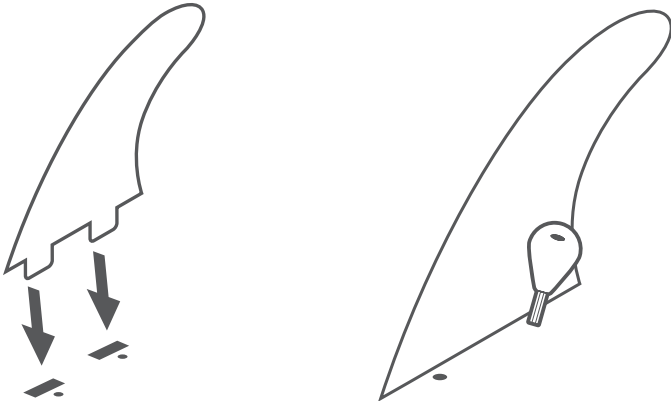
QUESTIONS | WARRANTY | PARTS & ACCESSORIES:
 1-877-2LEVEL6
 INFO@LEVELSIX.COM

SECTION 4 | FIN INSTALLATION

FINS AND HARDWARE



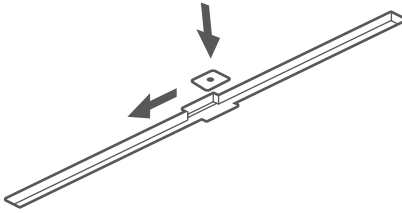
RAIL FIN INSTALLATION



INSERT RAIL FIN INTO FCS PLUG SLOTS UNTIL BASE OF FIN IS FLUSH WITH BOTTOM OF BOARD. NOTE: FLAT SIDE OF FIN ALWAYS FACES CENTER FIN.

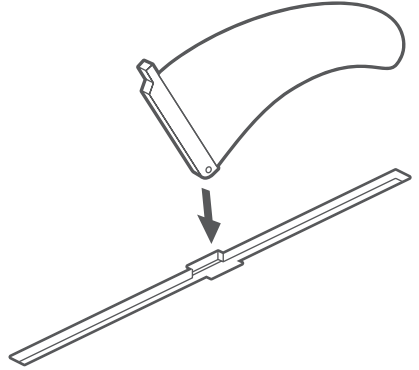
USE FIN KEY TO SECURE FIN. AVOID OVER-TIGHTENING SCREWS.

CENTER FIN INSTALLATION



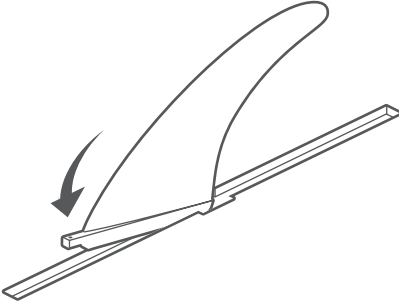
STEP 1

INSERT SCREW PLATE INTO FIN BOX SLOT AND SLIDE PLATE FORWARD.



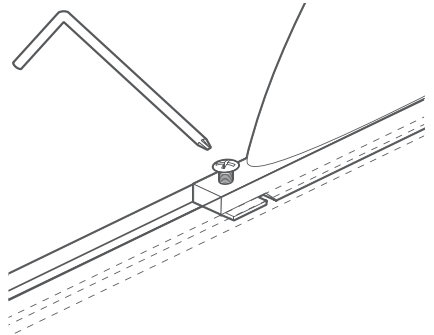
STEP 2

INSERT FIN INTO FIN BOX SLOT (SEE FIN BOX SLOT).



STEP 3

ROTATE FIN FORWARD AND ALIGN FIN SCREW WITH SCREW PLATE.



STEP 4

ADJUST FIN TO DESIRED POSITION AND TIGHTEN FIN SCREW.

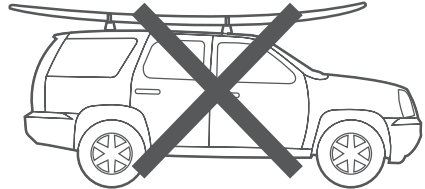
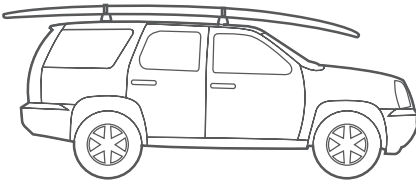
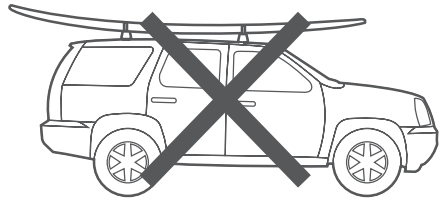
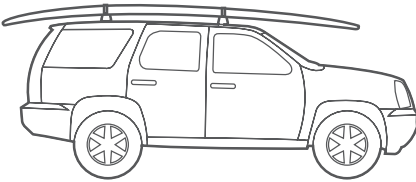
QUESTIONS | WARRANTY | PARTS & ACCESSORIES:
1-877-2LEVEL6
INFO@LEVELSIX.COM

SECTION 5 | TRANSPORTATION TIPS



WHEN STRAPPING TO ROOF, BOARD SHOULD BE BOTTOM SIDE UP.

When securing your paddleboard to the roof of a vehicle, always place the board bottom side up. Placing the board topside up will create wind drag and instability while driving. Placing board nose forward or tail forward are both acceptable means of transport .



OVER-TIGHTENING STRAPS MAY RESULT IN PRESSURE DINGS.



PADDED STRAPS ARE RECOMMENDED OVER NON-PADDED NYLON STRAPS.

SECTION 6 | LIMITED LIFETIME WARRANTY

LEVEL SIX OFFERS A LIMITED 365 DAY WARRANTY AGAINST DEFECTS IN MATERIALS AND WORKMANSHIP.

TERMS OF WARRANTY:

Your LEVEL SIX product is guaranteed to be free of defects in material and workmanship for a period of no more than 365 days from the date of purchase. If the product does not conform to the warranty, LEVEL SIX, at its discretion will issue a new, like new, or similar model product, excluding any shipping charges. Warranty extends to original purchaser only and is non-transferable. Sales receipt and original packaging materials are required.

WARRANTY:

LEVEL SIX will make every effort to produce boards to the highest quality and standards in the industry. We do quality checks in our factories and in our warehouses in North America in an effort to guarantee each board's quality before shipping. Because of the nature of surfing and paddle boarding we cannot warranty the performance of any board or shape for individual riders and varying levels of skills and abilities. Furthermore, we cannot guarantee against damage or breakage and cannot protect or warranty against circumstances outside of our control. In the event of a new board being removed from a box and not in good condition please contact the office for resolution. You will be asked for a copy of your sales receipt and photos of the damage in question, as well as original packaging material to verify if damage was due to shipping. If it is deemed a manufacturing or material flaw, we will issue an RMA number. This number along with the damaged product will need to be returned to the closest warehouse at customer's expense. Upon physical review, LEVEL SIX will make its final determination as to the nature of the damage or flaw and issue a replacement product (model depends on availability), or store credit. Shipping will be the responsibility of the customer. We are not responsible for damage or defects once the board has been used. Damage is defined as impact with any object or material, damage due to dropping, loading, unloading, or transport, alterations or modifications, repairs, natural disasters, fires, temperatures below 4.4 °C (40 °F), or above 43 °C (110 °F), any further use of a board once a claim has been reported, transport or storage of a board with a closed air valve, use of a board in the water with a loose or removed air valve, failure to clean and service air vent valve, storage of a board in extremely hot or humid conditions including a wet or damp board bag.

RETURNS AND EXCHANGES:

LEVEL SIX will exchange any new, unused product for company credit providing it is accompanied by an original sales receipt and all original packaging. This will not include any shipping charges or expenses. Product must be in new condition and will be subject to the inspection of staff.

QUESTIONS | WARRANTY | PARTS & ACCESSORIES:
1-877-2LEVEL6
INFO@LEVELSIX.COM



LEVEL SIX

www.levelsix.com