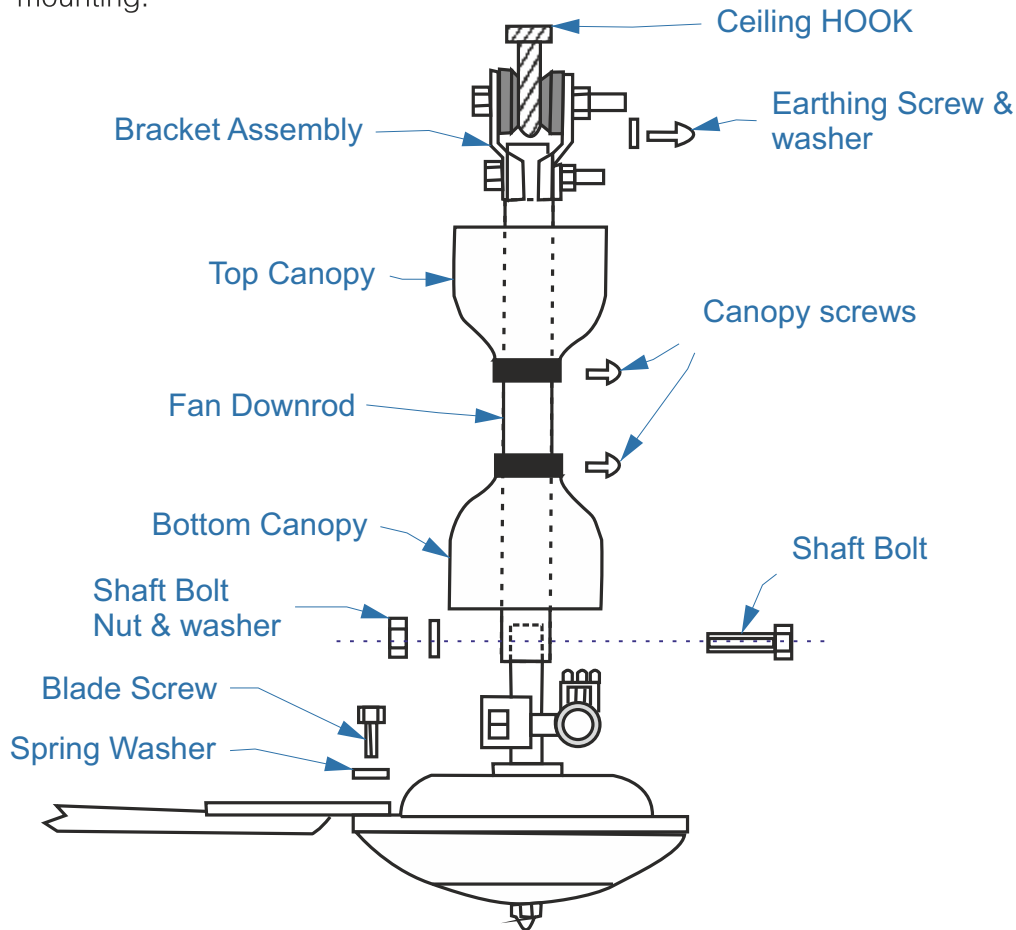


Instructions for Assembly – COLONIA

- Attach each blade to the fan motor with holder, *Screws and Spring Washer*, securely tighten the screws.
- Please check on the blade " THIS SIDE UP " sticker to ensure correct side mounting.

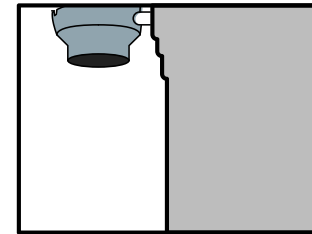
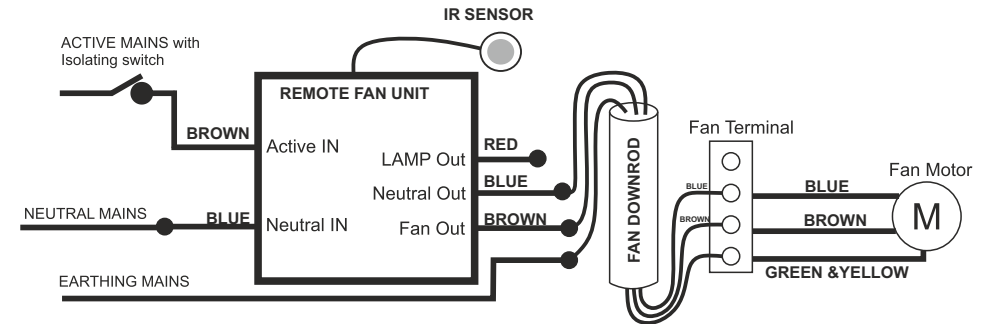
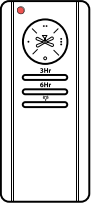


- Put the top and bottom canopy on the Down rod
- Hang the Fan on the Ceiling Bracket as shown earlier
- Pass the electrical wires through the down-rod pipe and connect them to the terminal block (Most fans come pre-wired, and need only to connect)
- Slide the Top Canopy to cover the hanger assy. and tightened securely.
- Slide the Bottom Canopy and tighten into place, to cover the terminal block, connectors. etc. Ensure that the canopy does NOT Rub the moving part of the fan motor.

How to INSTALL Remote in Ceiling Fan

1. Disconnect the Mains
2. Connect the Remote Sensor FAN OUT (BROWN) to Fan main (BROWN)
3. Connect the Remote FAN OUR (BLUE) to Fan Neutral (BLUE)
4. LAMP OUT (RED) must be CLOSED OFF.
5. Must connect Fan EARTH to EARTHING
6. Connect the Mains to Remote AC IN (L) & NEUTRAL IN (N)
7. Hide the REMOTE inside the TOP CANOPY.
8. IR SENSOR of the remote must be pulled outside the canopy & attached to the ceiling as shown below.
9. FOLLOW THE ELECTRICAL DIAGRAM below in case of any difficulties.

Supplied Remote Controller
2 X AAA batteries required (not supplied)



STICK the IR Sensor on the CEILING outside the canopy as shown.

(SENSOR must be in DIRECT Line of REMOTE CONTROLLER for it to function)

DO NOT HIDE THE SENSOR.

FOR FANS with REMOTE CONTROL

Fans Come pre-installed with Remote Receiver inside the Canopy

CONNECT

BROWN Main (Live) to Brown
BLUE Mains (neutral) to Blue
Earth Mains to Yellow/Green

