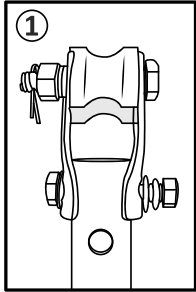


Instructions for Assembly – ULTRA PURE

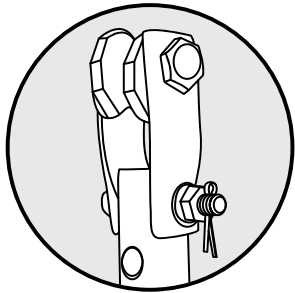
- Unpack the box
- DO NOT MIX the blades with Blades of OTHER fans.



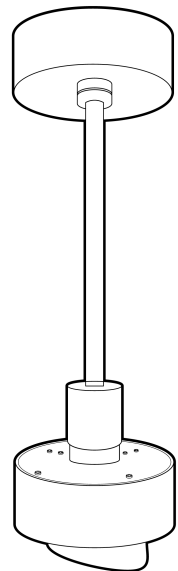
1. - Take the fan motor and insert the DOWN-ROD in the
- Ceiling clamp assembly.
 - Tighten the Bolts as shown in the picture.

Sequence

1. Washer
2. Spring washer
3. Nut
Tighten Nut Fully
4. Insert LOCK PIN.

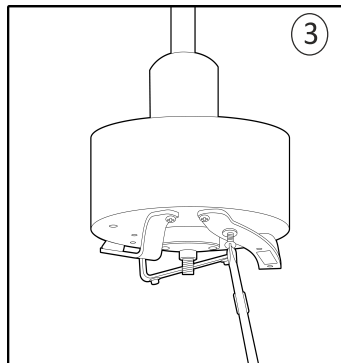


IMPORTANT : Must check LOCK PIN is inserted and SPREAD OPEN with PLIERS. This will ensure that the fan does not Fall in any case of Loosening of Fasteners.

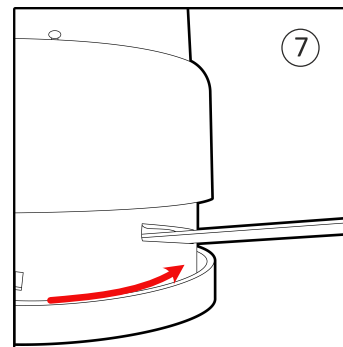
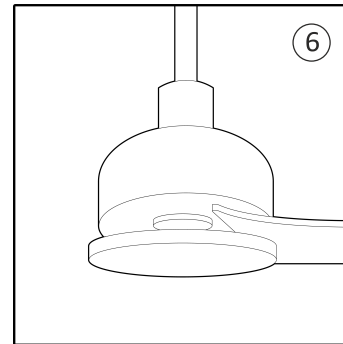
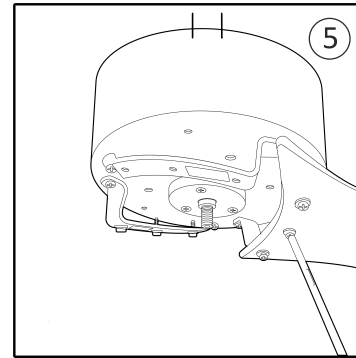
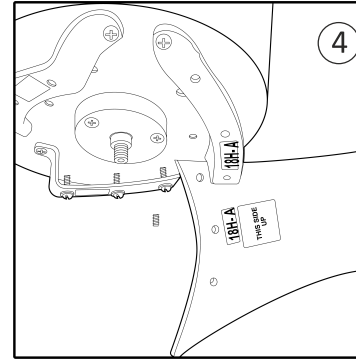


- 2 Hang the fan on the Ceiling.

TURN OFF the Fan Mains before proceeding ahead



Open Screws from Blade Holders.



Match BLADE Code with MOTOR code. (for Wood Blades)

BLADES are Balanced in SETS.

BLADES are NUMBERED (18H-A or B or C)

18H denotes Motor Number

A or B or C denotes BLADE LOCATION

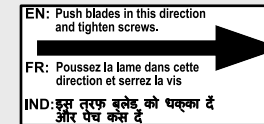
DO NOT MIX BLADES with OTHER MOTOR BLADES.

ENSURE the screws are full tight.

Keep "THIS SIDE UP" sticker facing the Ceiling

Repeat for all 3 Blades.

IMPORTANT PLEASE FOLLOW STICKER ON BLADE



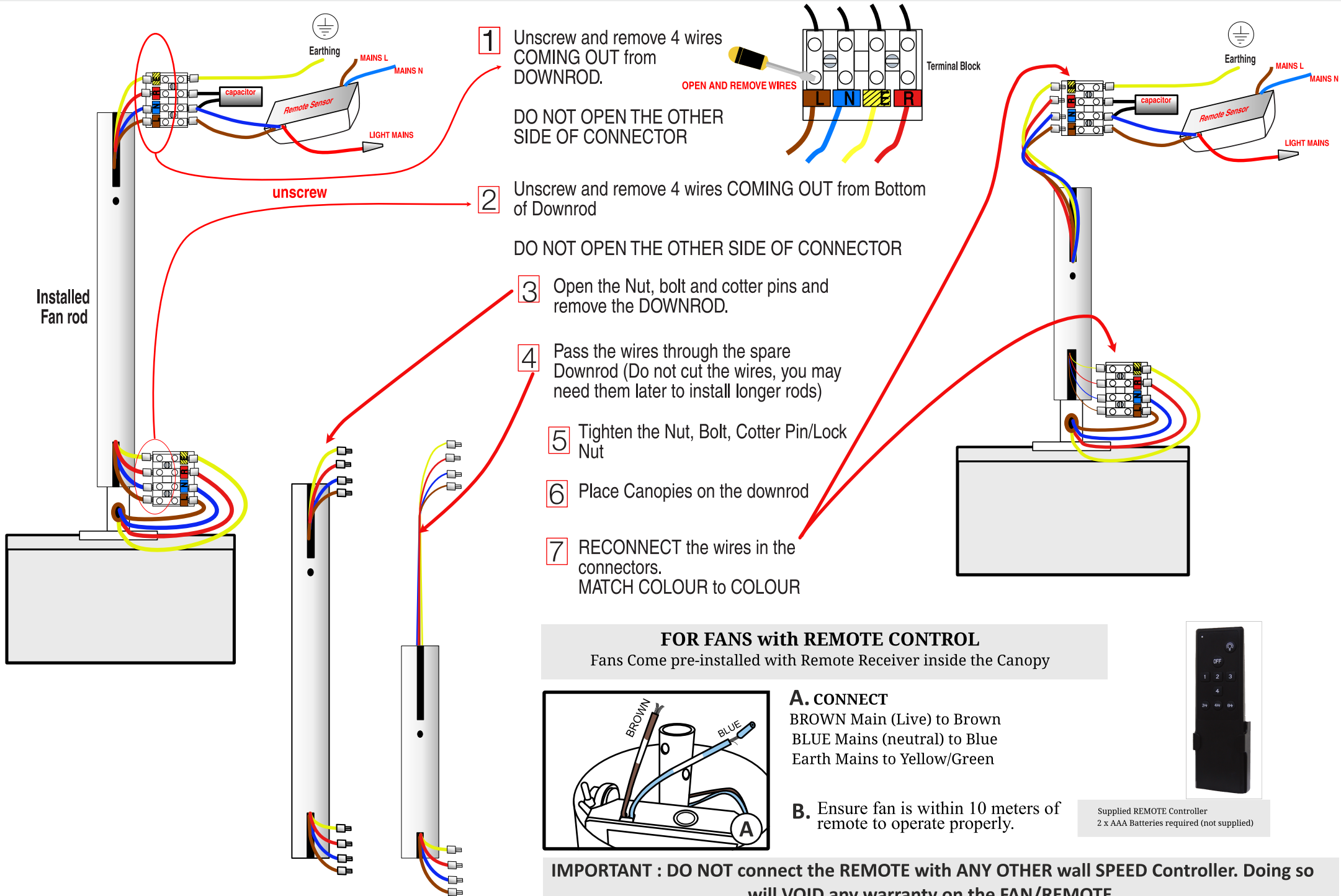
RE-CHECK all Canopy Screws and tighten them.

They may have loosened in transit.

Screw the BOTTOM Plate on the fan.

Turn the plate by HAND and ENSURE the PLATE is full tight.

Instructions to change fan-rod in ULTRA PURE



1 Unscrew and remove 4 wires COMING OUT from DOWNROD.

DO NOT OPEN THE OTHER SIDE OF CONNECTOR

OPEN AND REMOVE WIRES

Terminal Block

2 Unscrew and remove 4 wires COMING OUT from Bottom of Downrod

DO NOT OPEN THE OTHER SIDE OF CONNECTOR

3 Open the Nut, bolt and cotter pins and remove the DOWNROD.

4 Pass the wires through the spare Downrod (Do not cut the wires, you may need them later to install longer rods)

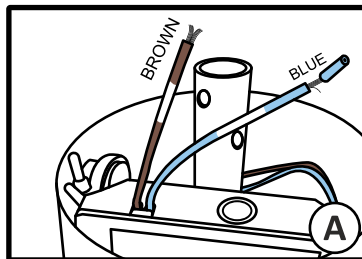
5 Tighten the Nut, Bolt, Cotter Pin/Lock Nut

6 Place Canopies on the downrod

7 RECONNECT the wires in the connectors. MATCH COLOUR to COLOUR

FOR FANS with REMOTE CONTROL

Fans Come pre-installed with Remote Receiver inside the Canopy



A. CONNECT

BROWN Main (Live) to Brown
 BLUE Mains (neutral) to Blue
 Earth Mains to Yellow/Green

B. Ensure fan is within 10 meters of remote to operate properly.



Supplied REMOTE Controller
 2 x AAA Batteries required (not supplied)

IMPORTANT : DO NOT connect the REMOTE with ANY OTHER wall SPEED Controller. Doing so will VOID any warranty on the FAN/REMOTE.