

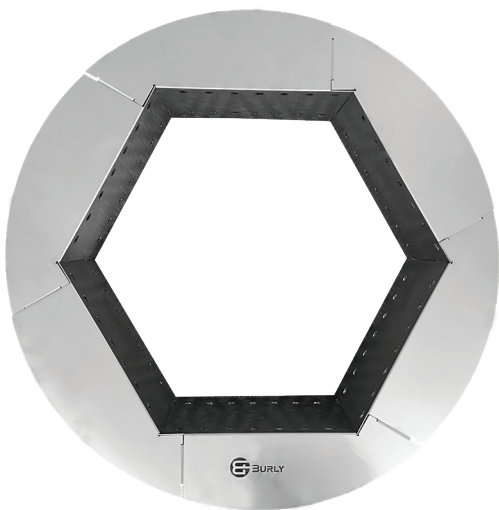


## MOJO 24" HEX INSERT



### PRODUCT DESCRIPTION

- Easy ready to assemble 16-gauge stainless steel construction.
- Designed to produce a cleaner burning fire with less smoke.
- Protects block from damage and retains the warranty on the block for the customer.
- Fits a 27"- 34" round fire pit. Depth: 10." Weighth: 25 lbs.



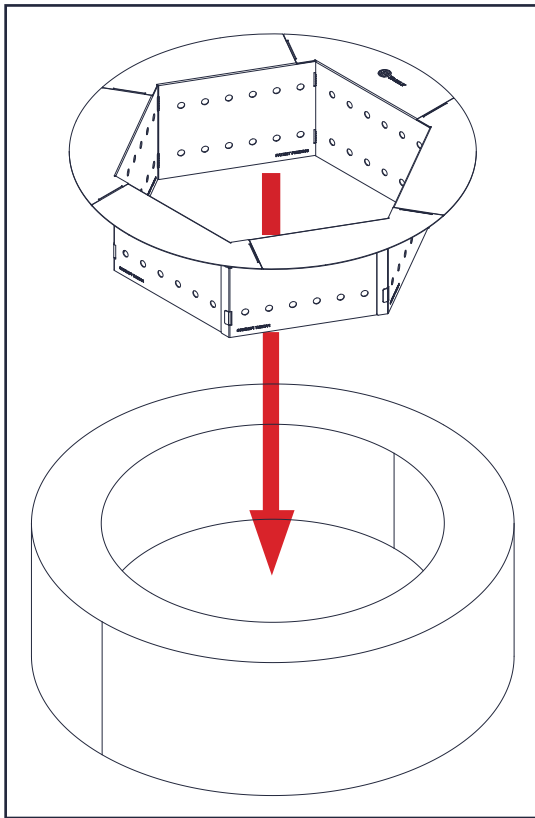
**#NOBADSEAT**



P.O. Box 17062, Richmond, VA 23226 | P: 804.869.2828 | E: info@burlyusa.com

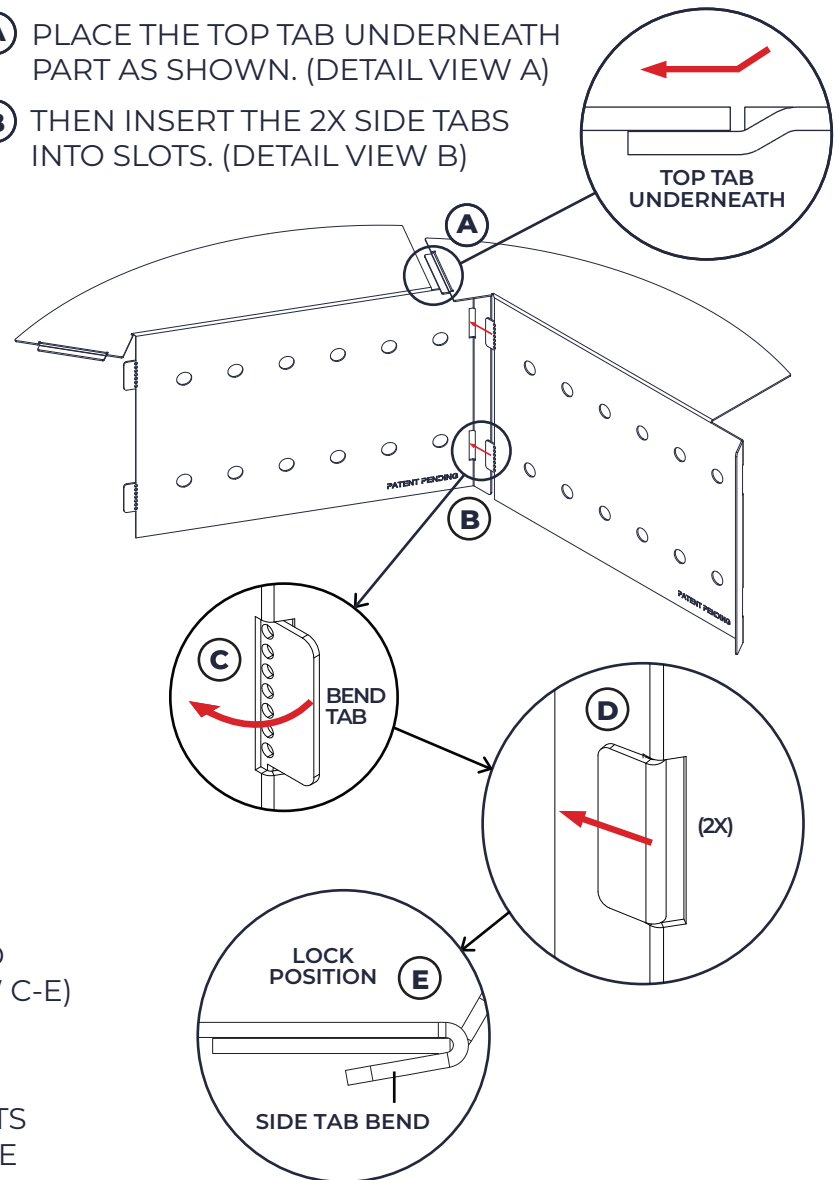
[WWW.BURLYUSA.COM](http://WWW.BURLYUSA.COM)

# METAL FRAME ASSEMBLY / INSTALLATION



## STEP 1:

- (A) PLACE THE TOP TAB UNDERNEATH PART AS SHOWN. (DETAIL VIEW A)
- (B) THEN INSERT THE 2X SIDE TABS INTO SLOTS. (DETAIL VIEW B)

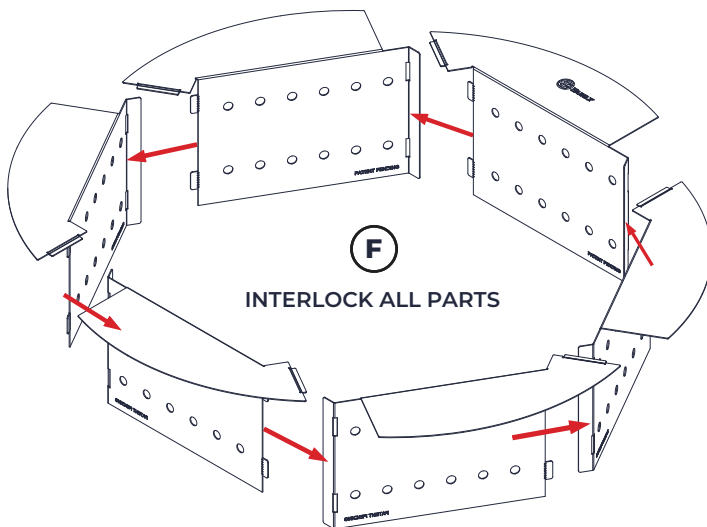


## STEP 2:

ONCE ALL TABS ARE IN PLACE, ON THE EXTERIOR SIDE BEND BOTH SIDE TABS INWARD IN ORDER TO INTERLOCK AND SECURE PARTS IN PLACE. (DETAIL VIEW C-E)

## STEP 3:

REPEAT STEPS TO INTERLOCK ALL PARTS INTO A CLOSED ASSEMBLY. THEN PLACE INTO FIREPIT HOUSING. (VIEW F)



## FULLY ASSEMBLED

