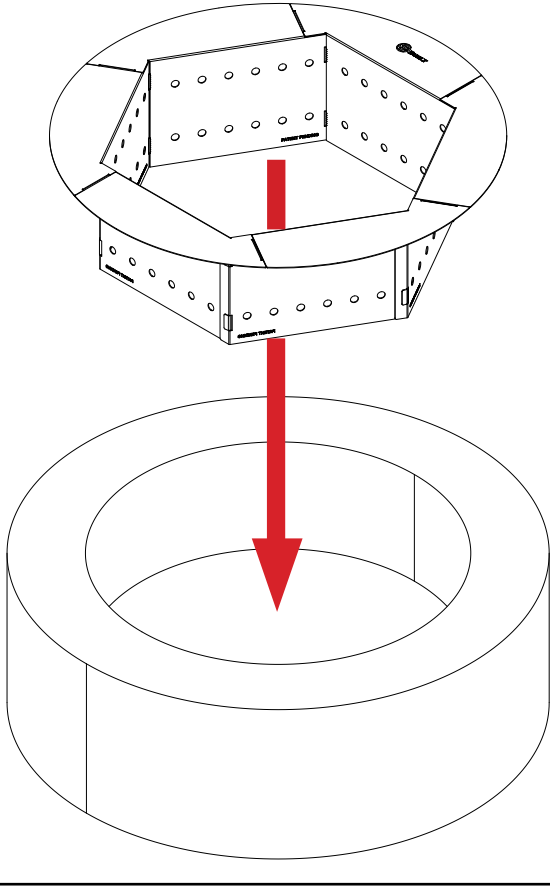


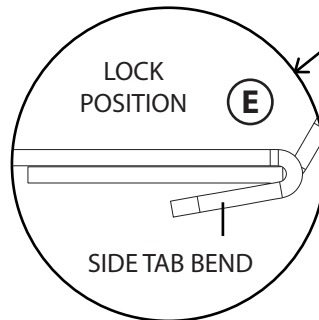
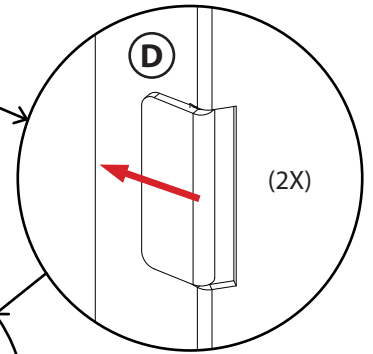
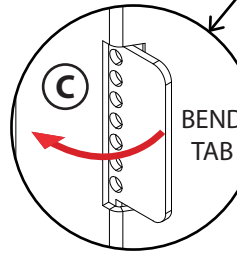
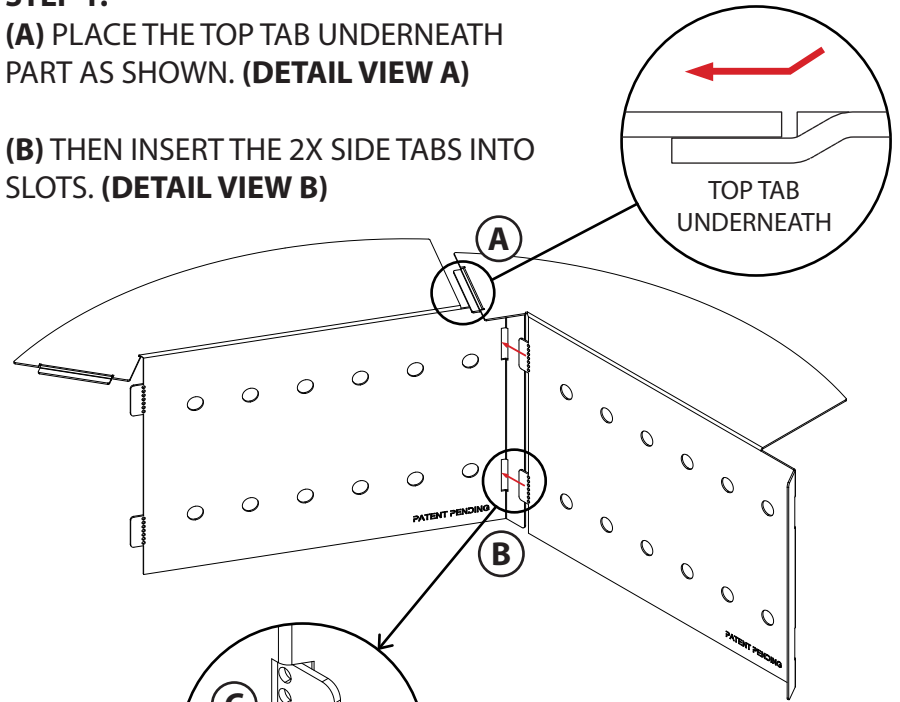
METAL FRAME ASSEMBLY / INSTALLATION



STEP 1:

(A) PLACE THE TOP TAB UNDERNEATH PART AS SHOWN. (DETAIL VIEW A)

(B) THEN INSERT THE 2X SIDE TABS INTO SLOTS. (DETAIL VIEW B)



STEP 2:

ONCE ALL TABS ARE IN PLACE, ON THE EXTERIOR SIDE BEND BOTH SIDE TABS INWARD IN ORDER TO INTERLOCK AND SECURE PARTS IN PLACE. (DETAIL VIEW C-E)

STEP 3:

REPEAT STEPS TO INTERLOCK ALL PARTS INTO A CLOSED ASSEMBLY. THEN PLACE INTO FIREPIT HOUSING. (VIEW F)

FULLY ASSEMBLED

