

XU

Economy Undercounter Dishwasher – 500mm Rack **W 575mm x D 600mm x H 845mm**

Washtech's XU is a versatile, highly efficient, simple-to-use and easy-to-maintain undercounter dishwasher. With one of the industry's lowest water consumption rates along with leading rinse heating, the XU provides excellent wash results in less time, while being light on operating costs and the environment.

The XU features Washtech Hybrid Controls which combine IP65 stainless switches, tried-and-tested switchgear, with a customisable electronic timer.

Since 1981 Washtech dishwashers have been constructed from heavy-duty stainless steel, and are engineered specifically for Australian conditions and regulations. Backed by the most extensive service network and spare parts inventory in the region, your Washtech dishwasher will not let you down.

Standard Features

- QuikStart 1 and 2 minute wash cycles
- Washes up to 1,080 plates per hour/1,500 glasses per hour
- Low hot water consumption of 2.2 litres per cycle
- Washtech Hybrid Controls
- Self cleaning cycle
- QuikConnect (Plug & Play) installation, supplied complete with:
 - Water supply hose
 - Detergent and rinse aid pumps with injector lines
 - Drain pump with outlet hose
 - 15 amp plugset
 - No commissioning required
- Heavy-duty stainless steel construction
- Upper and lower wash/rinse arms with precision moulded jets
- Easy-clean composite wash filter
- Watermark approved backflow prevention
- Comprehensive 5-2-1 warranty

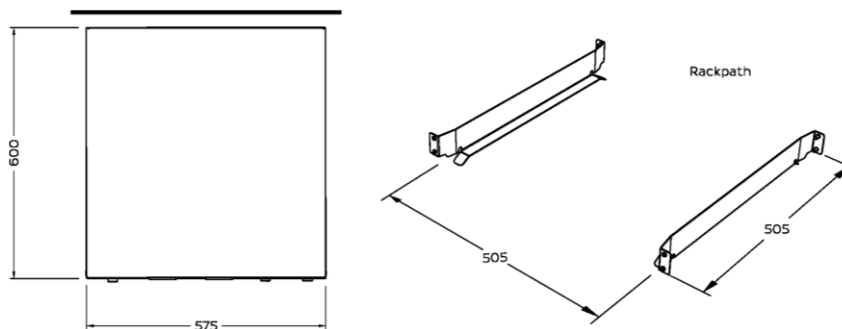
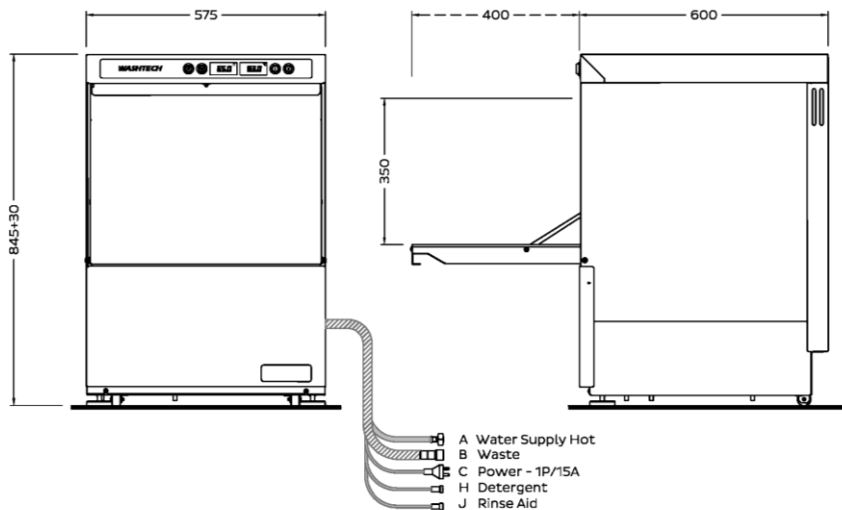
Includes:

- 1 x 600 70028 - 500mm dish rack
- 1 x 600 70029 - 500mm cup rack
- 1 x C660503 - cutlery container



XU

Economy Undercounter Dishwasher – 500mm Rack
W 575mm x D 600mm x H 845mm



Australia
Moffat Pty Limited

Victoria/Tasmania
740 Springvale Road
Mulgrave, Victoria 3170
Telephone 03-9518 3888
Facsimile 03-9158 3833
vsales@moffat.com.au

New South Wales
Telephone 02-8833 4111
nswsales@moffat.com.au

South Australia
Telephone 03-9518 3888
vsales@moffat.com.au

Queensland
Telephone 07-3630 8600
qldsales@moffat.com.au

Western Australia
Telephone 08-9202 6820
wasales@moffat.com.au



ISO9001
All Washtech products are designed and manufactured by Washtech using the internationally recognised ISO9001 quality management system, covering design, manufacture and final inspection, ensuring consistent high quality at all times.

In line with policy to continually develop and improve its products, Washtech reserves the right to change specifications and design without notice.



© Copyright Moffat Ltd
Version: 1806

A Hot water	Temperature	65°C
	Connection	3/4" male; hose supplied
	Pressure	200-350kPa
	Flow	20 litres per min
	Quality	Potable - refer table
	Backflow Prevention	Atmospheric Vacuum Breaker
	Consumption	2.2 litres per cycle*
B Waste	Connection	Hose supplied for 38mm open standpipe 750 high or connection to sink trap
C Electrical	V	Hz
	240	50
	A/phase	max kW
	15	3.37

Dimensions	Machine	Packed
Width	575	720
Depth	600	690
Height	845	970
Weight	60	77
Cubicmetres		0.48
Water Quality	Min	Max
pH	7	8
Hardness ppm	20	100
Cl-		100
SO ₄		400
Fe		0.1
Mn		0.5
Cu		0.05
Cl ₂		0.1

Refer operator manual for installation instructions. Isolating switch must be within 1m of, and not directly behind the machine. Isolating water valve must be readily accessible.
*Consumption may vary with site conditions.

an Ali Group Company



The Spirit of Excellence