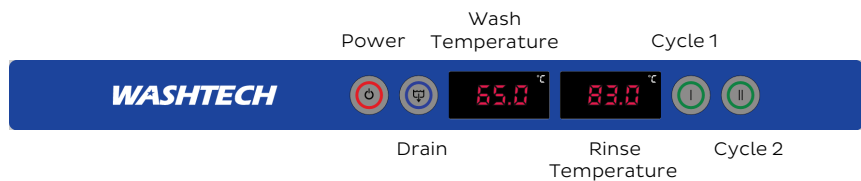


XU



START

- Turn on at wall
- Ensure the Filter (1) is locked firmly in place
- Check the Upstand (2) is in place and shut door
- Press the Power button which will glow red and the machine will fill automatically

OPERATION

- Load rack into machine and shut door
- Select either Cycle 1 (1 minute) or Cycle 2 (2 minute) button to start a cycle
- Both Cycle buttons glow green while machine operates
- When Cycle lights go out, the cycle is complete

NOTE: The machine may be started while the rinse water is being heated – in this instance it will continue to run the wash cycle until the rinse water is up to temperature

SHUT DOWN - EVERY NIGHT

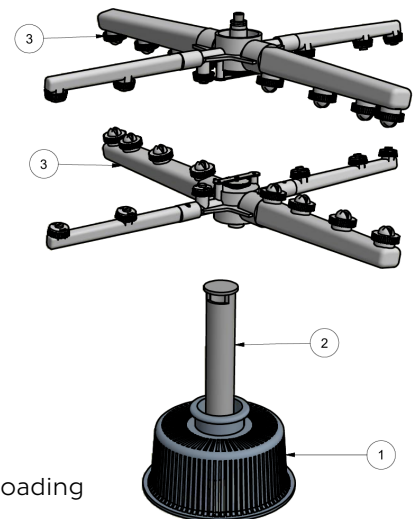
- Open the door and remove the Upstand (2) only
- Press Drain button. Allow to drain for approximately 1 minute or until the tank is empty
- Turn the Drain and then the Power buttons off
- Clean the tank then remove and rinse Filter (1) before replacing back in machine with Upstand (2)
- Ensure Filter (1) is pressed firmly down and has clicked into place

CLEANING – AT LEAST ONCE A WEEK

Remove, rinse and replace:

| | |
|----------------|---|
| Filter | 1 |
| Upstand | 2 |
| Wash/Rinse Arm | 3 |

Inspect and clear all jets in the upper and lower Wash/Rinse Arms using a small object such as a toothpick where necessary to remove any blockages prior to rinsing



SUGGESTED BEST PRACTICE

- | | |
|--------------|---|
| Cutlery | Stack with handles or sharp blades down and avoid overloading |
| Pre-rinse | Scrape and/or rinse plates & glasses in cool water |
| Chemical | Front lower cover panel may be safely removed by operator to access the chemical pumps for priming and adjustments. Please refer to the operator manual for full instructions. Use good quality non foaming commercial detergent and drying agent – do not use domestic detergent which will cause the machine to foam |
| Wash results | If wash results are deteriorating, check that you have haven't run out of detergent and that the wash/rinse arms are clean and free of obstructions |
| Draining | Use the Drain button to lower the water level before removing the Upstand |