

CD240+HRU

Efficient Conveyor Dishwasher
W 2710mm x D 765mm x H 1835mm

CD240+HRU is designed to efficiently optimise washroom performance, now with increased dishwashing capacity of 240 racks per hour and reduced water consumption of 180 litres per hour.

Since 1981 Washtech dishwashers have been constructed in New Zealand from heavy-duty stainless steel, and are engineered specifically for the unique Australian conditions and regulations. Backed by the most extensive service network and spare parts inventory in the region, your CD240 will not let you down.

Special Features:

- Integrated heat recovery unit which significantly reduces steam emissions and energy consumption
- SEED certified for installation without an extraction canopy in most situations

Standard Features:

- Capacity of up to **240 racks per hour** (4,320 plate equivalents)
- Water consumption of just **180 litres per hour**
- Heavy-duty stainless steel construction and wash manifold
- Full width, easily removable stainless steel wash filter trays for easy cleaning
- Removable upper and lower heavy-duty stainless steel wash arm cassettes
- Powerful drive with safety clutch allows the machine to wash heavy items with ease
- Automatic start/stop minimises operating costs by halting operation when no rack is present
- 600mm pre-wash module
- 1200mm wash module with pre-rinse zone
- 600mm EcoRinse module with recirculating and final rinse stages
- Easily maintained electromechanical controls
- Will wash items up to 400mm high, and taller with suitable operator procedures
- In-house CAD design service for every site layout
- Watermark approved backflow prevention
- Comprehensive Moffat 5-2-1 warranty

Includes:

- 2 x 500mm dish rack (600 70028)
- 2 x 500mm cup rack (600 70029)
- 2 x cutlery container (C660503)
- 1 x cutlery basket (C660508)

Optional Accessories include:

- Dryer modules
- Straight and curved roller tables
- Pre-rinse troughs
- Setdown benches
- Custom scrap/sort stations
- Sideload tables
- Inlet and outlet corner pawl drives
- Heavy duty roller table limit switch



CD240

+HRU



moffat.com.au
washtech.com.au

Moffat Pty Limited

VIC/TAS/SA

70 Springvale Road
Mulgrave, Victoria 3170
Telephone 03-9518 3888
Fax 03-9518 3833
vsales@moffat.com.au

NSW

Telephone 02-8833 4111
nswsales@moffat.com.au

QLD

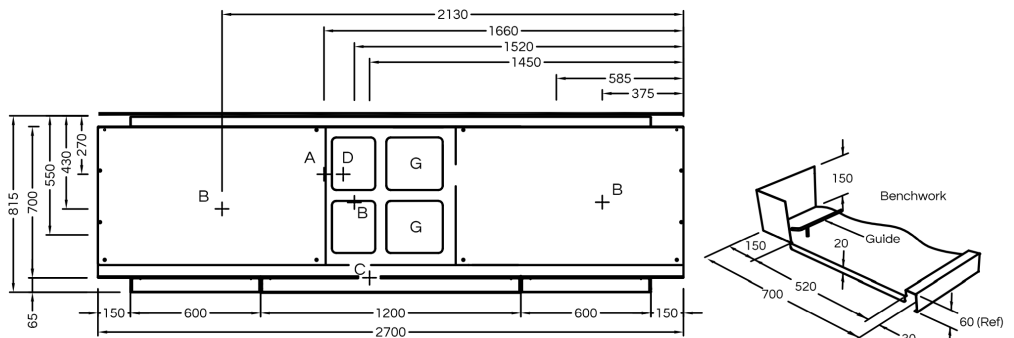
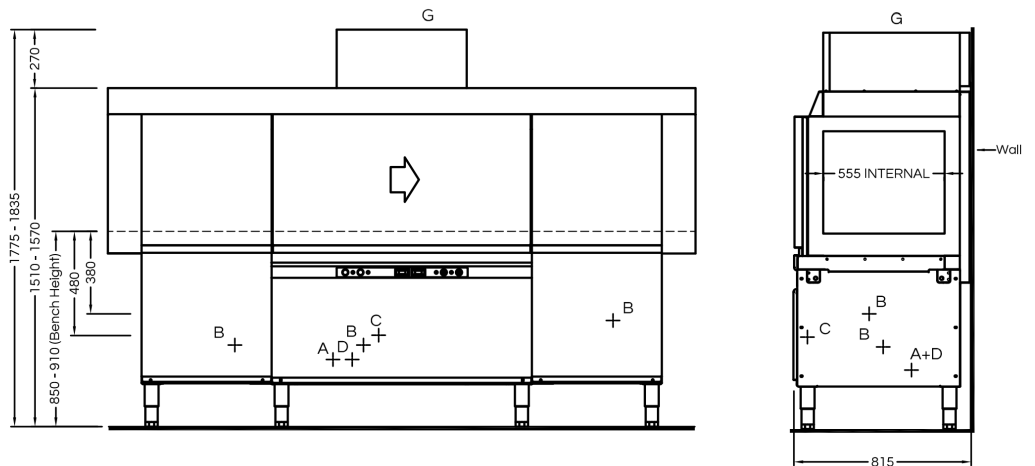
Telephone 07-3630 8600
qldsales@moffat.com.au

WA

Telephone 08-9413 2400
wasales@moffat.com.au

In line with policy to continually develop and improve its products, Washtech reserves the right to change specifications and design without notice.

© Copyright Moffat Ltd
Version: WCD240XXXX 2109



A – Hot Water and D – Cold Water *

Hot Temp	65°C
Cold Temp	<25°C
Connections	3/4" male
Pressure	200-350kPa
Flow	20 litres per min
Quality	Potable - refer table
Backflow Prevention	DCV
Consumption	180 litres per hour **

B - Waste

Connection	1.5" BSP male
Line	2.0" / 50mm minimum

C - Electrical V Hz A/phase Max kW

Three Phase	415	50	35	24.40
-------------	-----	----	----	-------

G – Air Outlet

No direct connection permitted. Certified for installation without extraction subject to min. background ventilation of 1.1m² free area opening **OR** 350L/sec mechanical ventilation **OR** air change. Consult with a ventilation engineer.

Dimensions

	Machine	Packed
Width (mm)	2710	2855
Depth (mm)	765	1000
Height (mm)	1835	1950
Weight (kg)	425	525
Volume (m ³)		5.57

Water Quality

	Min	Max
pH	7	8
Hardness (ppm)	20	100
Cl ⁻		100
SO ₄		400
Fe		0.1
Mn		0.5
Cu		0.05
Cl ₂		0.1

* Cold water inlet required. Additional hot water inlet recommended for best performance.

** Water consumption rates may vary based on site conditions.

Isolating switch must be within 1m of, and not directly behind the machine.

Refer to operator manual for installation instructions.



an Ali Group Company



The Spirit of Excellence

