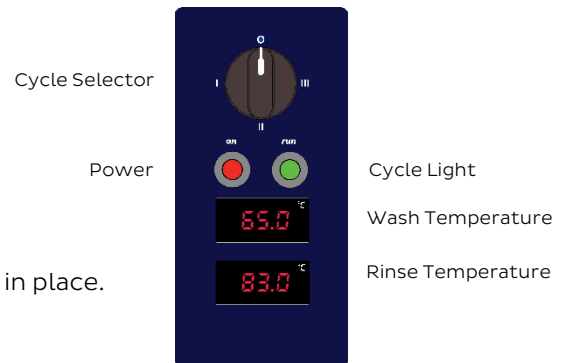


AL8

START

- Turn on at wall.
- Ensure the Upstand (2) and Wash Pump Filter (3) are firmly in place.
- Check the Scrap Trays (1) are in place and shut door.
- Turn the Selector Switch to any Cycle (I, II or III).
- Power Light glows red and machine fills automatically.
- Once full, rinse heating starts.



OPERATION

- Select required Cycle of I (2 minutes) , II (4 minutes) or III (6 minutes) .
 - Load items into the machine and shut door.
 - Cycle Light glows green while machine operates.
 - When Cycle Light goes out, the cycle is complete.
- NOTE: The machine may be started while the rinse water is being heated – the machine will continue to run the wash cycle until the rinse water is up to temperature.

SHUT DOWN - EVERY NIGHT

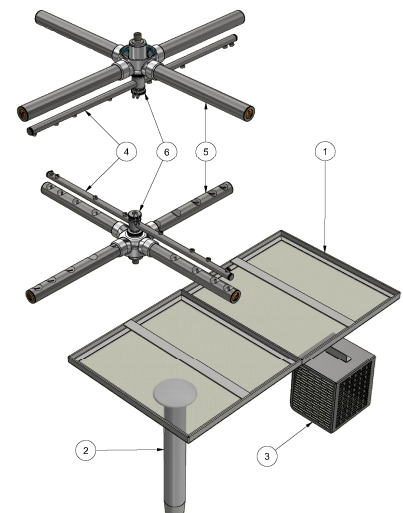
- Turn Cycle Selector to 0 and turn off the power from the wall.
- Remove Scrap Trays (1) and Upstand (2) to drain the Wash Tank.
- Once the Wash Tank is fully drained remove and rinse Wash Pump Filter (3) and Scrap Trays (1) before replacing back into the machine along with the Upstand (2).

CLEANING – AT LEAST ONCE A WEEK

Remove, rinse and replace when machine has cooled down:

Scrap Trays	1
Drain Upstand	2
Wash Pump Filters	3
Rinse Arms	4
Wash Arms	5
Thumbscrews	6

Inspect and clear all jets in the upper and lower Wash/Rinse Arms using a small object such as a toothpick where necessary to remove any blockages prior to rinsing.



SUGGESTED BEST PRACTICE

- Pre-rinse Scrape and/or rinse trays, plates & glasses in cool water.
- Chemical Use a good quality non foaming commercial detergent and drying agent – do not use domestic detergents which will cause the wash tank to foam.