



PROTECT THE MOST  
IMPORTANT  
POSSESSIONS AT **HOME,**  
**HOTEL AND OFFICE**



# AIR

## BURGLARY PROTECTION FOR YOUR VALUABLES

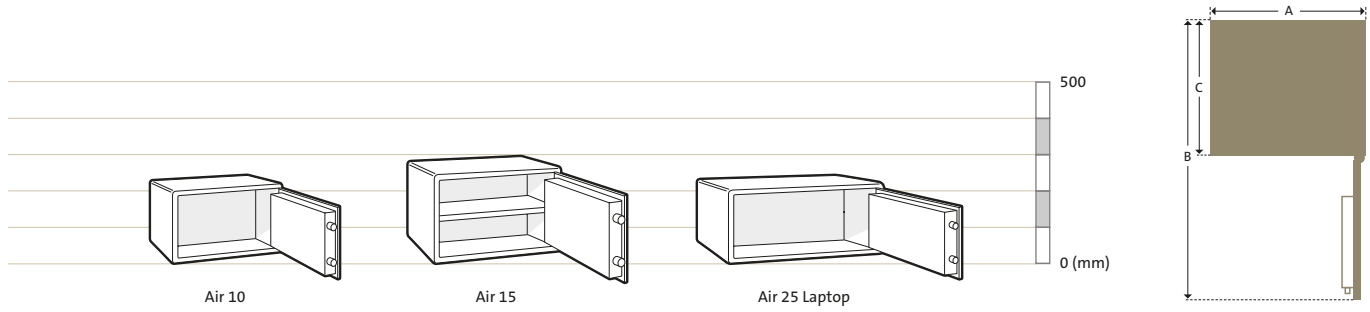


### KEY FEATURES

- Compact safe for the home, hotel room or office.
- Three sizes available: 9-, 16- and 24-litres capacities. The largest is designed to accommodate most laptop computers.
- Choice of locking options: available with a double-bitted key lock or an electronic lock with a programmable code.
- Emergency key override facility for the electronic lock should battery power ever fail.
- Patented “anti-bump” technology which affords the electronic lock protection against impact attacks.
- Tamper-evident keypad.
- Ready for base and for rear fixing, supplied with four expansion anchors.
- Inner base carpet.
- Key hooks included on all electronic models.

# AIR

## PRODUCT SPECIFICATIONS



Model	External height (mm)	External width (A) (mm)	External depth (C)* (mm)	Depth with door open 90° (B) (mm)	Internal height (mm)	Internal width (mm)	Internal depth (mm)	Volume (litres)	Weight (kg)	Shelf
Air 10	200	310	200	575	190	300	150	9	6	0
Air 15	250	350	250	655	240	340	200	16	9	1
Air 25 Laptop	200	430	350	815	190	420	300	24	11	0

\* In electronic models, add 20mm to allow for keypad projection.

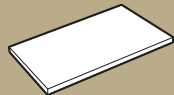
## CONSTRUCTION

### BOLTWORK

Plated steel bolts secure the door effectively when locked.

### DOOR & BODY

The door is constructed from 4mm and the body from 2mm steel. The whole assembly is powder-coated for long-lasting protection.



### INTERIOR FITTINGS

#### SHELF

One removable shelf available for Air 15.

## LOCKS



### KEY LOCK

Air key lock safes are secured and opened by turning the key. The double-bitted key lock used is supplied with two identical keys.



### ELECTRONIC LOCK

Air electronic lock safes are fitted with a programmable lock incorporating patented technology which can accept a code between 4 and 8 digits. Once programmed, should three consecutive attempts to enter an incorrect code be made, the lock will go into sleep mode for 20 seconds. Three further consecutive incorrect attempts will result in a five-minute time out.

Authorised dealer

[www.chubbsafes.com](http://www.chubbsafes.com)