



Hewlett Packard
Enterprise

HPE ProLiant XL2x260w Gen10 Server - Product Information Reference

HPE ProLiant XL2x260w Gen10 Server - Product Information Reference

© Copyright ,

Notices

The information contained herein is subject to change without notice. The only warranties for Hewlett Packard Enterprise products and services are set forth in the express warranty statements accompanying such products and services. Nothing herein should be construed as constituting an additional warranty. Hewlett Packard Enterprise shall not be liable for technical or editorial errors or omissions contained herein.

Confidential computer software. Valid license from Hewlett Packard Enterprise required for possession, use, or copying. Consistent with FAR 12.211 and 12.212, Commercial Computer Software, Computer Software Documentation, and Technical Data for Commercial Items are licensed to the U.S. Government under vendor's standard commercial license.

Links to third-party websites take you outside the Hewlett Packard Enterprise website. Hewlett Packard Enterprise has no control over and is not responsible for information outside the Hewlett Packard Enterprise website.

Acknowledgments

Intel®, Itanium®, Optane™, Pentium®, Xeon®, Intel Inside®, and the Intel Inside logo are trademarks of Intel Corporation in the U.S. and other countries.

AMD and the AMD EPYC™ and combinations thereof are trademarks of Advanced Micro Devices, Inc.

Microsoft® and Windows® are either registered trademarks or trademarks of Microsoft Corporation in the United States and/or other countries.

Adobe® and Acrobat® are trademarks of Adobe Systems Incorporated.

Java® and Oracle® are registered trademarks of Oracle and/or its affiliates.

UNIX® is a registered trademark of The Open Group.

All third-party marks are property of their respective owners.

Revision history

Part number	Publication date	Edition	Summary of changes
<hr/>			
<hr/>			

Table of contents

- Overview
 - Summary
 - Product description
 - Standard Models
 - New RoHS compliant part numbers
 - Standard models
 - Product features
- Specifications
 - Specifications
 - Physical specifications
 - Environmental specifications
- Compatibility/Supportability
 - Spare Parts
 - New model specific parts lists
 - System components
 - Option Parts
 - New model specific parts lists
 - HPE Processors
 - HPE Memory
 - HPE Networking
 - HPE Drives
 - HPE iLO Advanced
 - Security hardware
 - OS Compatibility
 - Software Compatibility

Summary

Product description



The HPE ProLiant XL2x260w Gen10 Server delivers the performance required by HPC application workloads, while taking advantage of the modular flexibility and rack-scale efficiency of HPE Apollo w6000 Chassis. The server is built using Intel Xeon Phi series processors with on-board memory, high-bandwidth networking fabric and HPE DDR 4 SmartMemory. The modular HPE Apollo w6000 Chassis accommodates up to twenty four single slot HPE ProLiant XL2x260w Gen10 Server trays to address various HPC workload needs.

Rack scale power efficiency is fueled by an external power shelf, with optional HPE Apollo Platform Manager (APM) for rack, chassis, server and component level management

Standard Models

New RoHS compliant part numbers

To find the latest RoHS compliance information, please use the HPE PartSurfer ([Click here to visit HPE PartSurfer website](#)) and click on one of the linked model numbers. When locating RoHS information in PartSurfer, user can use the Option part number for the components, the sales order number for a system that the component is used in, or the Spare part number for a specific part. user can find the sales order numbers and Option part numbers in the Product QuickSpecs.

Standard models

Description	Model Number
HPE ProLiant XL2x260w Single-width 1P 1.2m 2x Server Compute Tray	851659-B21


[Click here to obtain parts list for this model.](#)

Product features

Feature	Description																																																															
Processor	<p>Intel Xeon Phi x200 Series</p> <table border="1"> <thead> <tr> <th>Model</th> <th>TDP Frequency</th> <th>Cores</th> <th>Mesh Frequency</th> <th>Power</th> <th>DDR4 MT/s</th> <th>MCDRAM</th> </tr> </thead> <tbody> <tr> <td>7290</td> <td>1.5 GHz</td> <td>72</td> <td>1.7 GHz</td> <td>245 W</td> <td>2400</td> <td>16GB</td> </tr> <tr> <td></td> <td>1.4 GHz</td> <td>68</td> <td>1.7 GHz</td> <td>215 W</td> <td>2400</td> <td>16GB</td> </tr> <tr> <td></td> <td>1.3 GHz</td> <td>64</td> <td>1.7 GHz</td> <td>215 W</td> <td>2400</td> <td>16GB</td> </tr> <tr> <td></td> <td>1.3 GHz</td> <td>64</td> <td>1.6 GHz</td> <td>215 W</td> <td>2133</td> <td>16GB</td> </tr> <tr> <td></td> <td>1.5 GHz</td> <td>72</td> <td>1.7 GHz</td> <td>260 W</td> <td>2400</td> <td>16GB</td> </tr> <tr> <td></td> <td>1.4 GHz</td> <td>68</td> <td>1.7 GHz</td> <td>230 W</td> <td>2400</td> <td>16GB</td> </tr> <tr> <td></td> <td>1.3 GHz</td> <td>64</td> <td>1.7 GHz</td> <td>230 W</td> <td>2400</td> <td>16GB</td> </tr> <tr> <td></td> <td>1.3 GHz</td> <td>64</td> <td>1.6 GHz</td> <td>230 W</td> <td>2133</td> <td>16GB</td> </tr> </tbody> </table>	Model	TDP Frequency	Cores	Mesh Frequency	Power	DDR4 MT/s	MCDRAM	7290	1.5 GHz	72	1.7 GHz	245 W	2400	16GB		1.4 GHz	68	1.7 GHz	215 W	2400	16GB		1.3 GHz	64	1.7 GHz	215 W	2400	16GB		1.3 GHz	64	1.6 GHz	215 W	2133	16GB		1.5 GHz	72	1.7 GHz	260 W	2400	16GB		1.4 GHz	68	1.7 GHz	230 W	2400	16GB		1.3 GHz	64	1.7 GHz	230 W	2400	16GB		1.3 GHz	64	1.6 GHz	230 W	2133	16GB
Model	TDP Frequency	Cores	Mesh Frequency	Power	DDR4 MT/s	MCDRAM																																																										
7290	1.5 GHz	72	1.7 GHz	245 W	2400	16GB																																																										
	1.4 GHz	68	1.7 GHz	215 W	2400	16GB																																																										
	1.3 GHz	64	1.7 GHz	215 W	2400	16GB																																																										
	1.3 GHz	64	1.6 GHz	215 W	2133	16GB																																																										
	1.5 GHz	72	1.7 GHz	260 W	2400	16GB																																																										
	1.4 GHz	68	1.7 GHz	230 W	2400	16GB																																																										
	1.3 GHz	64	1.7 GHz	230 W	2400	16GB																																																										
	1.3 GHz	64	1.6 GHz	230 W	2133	16GB																																																										
Chipset	<p>Intel Wellsburg C612 chipset</p> <p>Click here to view for more information regarding Intel chipsets.</p>																																																															
On system management processor	<p>HPE iLO (Firmware: HPE iLO 4 NAND via FS-DC – Accessed through shared NIC or aggregated iLO enclosure port)</p> <p>Independent iLO Reset Switch via UID</p> <p>Click here to access iLo QuickSpecs for more information.</p>																																																															
Memory protection	Advanced ECC (Multi-bit error protection)																																																															
Memory ¹	<table border="1"> <thead> <tr> <th>Type</th> <th>DIMM Slots available</th> <th>Maximum DIMMs (Per node; 2 nodes per tray)</th> </tr> </thead> <tbody> <tr> <td>HPE SmartMemory DDR4 Load Reduced (LRDIMM), or Registered (RDIMM)</td> <td>6 DIMM Slots available</td> <td>384GB (6 x 64GB maximum capacity per DIMM slot)</td> </tr> </tbody> </table> <p>Click here to access HPE SmartMemory QuickSpecs for more information.</p>	Type	DIMM Slots available	Maximum DIMMs (Per node; 2 nodes per tray)	HPE SmartMemory DDR4 Load Reduced (LRDIMM), or Registered (RDIMM)	6 DIMM Slots available	384GB (6 x 64GB maximum capacity per DIMM slot)																																																									
Type	DIMM Slots available	Maximum DIMMs (Per node; 2 nodes per tray)																																																														
HPE SmartMemory DDR4 Load Reduced (LRDIMM), or Registered (RDIMM)	6 DIMM Slots available	384GB (6 x 64GB maximum capacity per DIMM slot)																																																														

Feature	Description														
HPE Server ROM	<p>HPE ROM (Read Only Memory) is now digitally signed using the HPE Corporate Signing Service</p> <p>This signature is verified before the flash process starts, reducing accidental programming and preventing malicious efforts to corrupt system ROM</p> <p>The HPE ProLiant ROM is used to configure the following:</p> <ul style="list-style-type: none"> • Processor and chipset status registers • System memory, memory map, and memory initialization • System hardware configuration (Integrated PCI devices and optional PCIe cards) • Customer-specific BIOS configuration (Using the HPE ROM-Based Setup Utility (RBSU)) <p>Click here to refer the HPE ROM-Based Setup Utility User Guide.</p>														
HPE Server Unified Extensible Firmware Interface(UEFI) or Legacy mode ²	<p>The HPE ProLiant XL2x260w BIOS complies with v2.4 of the UEFI Specification and is a UEFI Class 3 implementation which supports UEFI boot mode only</p> <p>Click here to access UEFI Information Library for more information on HPE ProLiant System BIOS and UEFI.</p>														
Internal storage devices	M.2 support (2x M.2 SSD device per node)														
Interfaces per node	<table border="1"> <thead> <tr> <th>KVM</th> <th>MicroSD</th> <th>USB Ports</th> <th>HPE iLO Remote Management Network Port</th> <th>Health LED</th> <th>Power</th> <th>UID</th> </tr> </thead> <tbody> <tr> <td>HPE 36pin Serial/USB/VGA Dongle Cord Kit 676277-B21</td> <td>1</td> <td>2 (External via SUV)</td> <td>Aggregated via HPE Apollo w6000 Chassis</td> <td>1</td> <td>1</td> <td>1</td> </tr> </tbody> </table>	KVM	MicroSD	USB Ports	HPE iLO Remote Management Network Port	Health LED	Power	UID	HPE 36pin Serial/USB/VGA Dongle Cord Kit 676277-B21	1	2 (External via SUV)	Aggregated via HPE Apollo w6000 Chassis	1	1	1
KVM	MicroSD	USB Ports	HPE iLO Remote Management Network Port	Health LED	Power	UID									
HPE 36pin Serial/USB/VGA Dongle Cord Kit 676277-B21	1	2 (External via SUV)	Aggregated via HPE Apollo w6000 Chassis	1	1	1									
Graphics	<ul style="list-style-type: none"> • Integrated Matrox G200 video standard <ul style="list-style-type: none"> ◦ 1280 x 1024 (32 b/p) ◦ 1920 x 1200 (16 b/p) • HPE iLO 4 On System Management Memory <ul style="list-style-type: none"> ◦ 16 MB Flash ◦ 256 MB DDR 3 with ECC (112 MB after ECC and video) The ProLiant XL2x260w Server is a single-slot tray for the HPE Apollo w6 														
Form factor	The ProLiant XL2x260w Server is a single-slot tray for the HPE Apollo w6000 Chassis														

Feature	Description
Embedded management	<ul style="list-style-type: none"> • HPE Integrated Lights Out • UEFI • HPE RESTful API • Intelligent Provisioning
Industry standard compliance	<ul style="list-style-type: none"> • ACPI 6.0b Compliant • PCIe 3.0 Compliant • WOL Support • PXE Support • USB 1.1 and 2.0 • Compliant SMBIOS 3.0.0
Security	<ul style="list-style-type: none"> • Power-on password • Serial interface control • Administrator's password • iLO 4 (Integrated Lights-Out 4) has 12 customizable user accounts and SSL encryption • iLO 4 can be disabled via a Global Setting • iLO Advanced supports directory services integration • TPM (Trusted Platform Module) 1.2 or 2.0 option • UEFI Secure Boot

 NOTE:

1. HPE memory from previous generation servers (DDR3) are not compatible with the HPE ProLiant XL2x260w Gen10 Server. To realize the performance memory capabilities listed in this document, HPE SmartMemory is required.
2. For UEFI boot operation, boot environment and OS image installations should be configured properly to support UEFI

Specifications

Physical specifications

Specifications	Description
Server dimensions (L x W x D)	4.19 x 19.41 x 79.93 cm (1.65 x 7.64 x 31.47 in)
Shipping dimensions (L x W x D)	22.86 x 36.83 x 99.06 cm (9 x 14.5 x 39 in)
Weight (Approximate)	Maximum: 7.26 kg (16.0 lb)

Environmental specifications

Specifications	Description
System inlet temperature	<p>Standard operating support:</p> <p>10° to 35°C (50° to 95°F)</p> <p>At sea level with an altitude derating of 1.0°C per every 305 m (1.8°F per every 1000 ft) above sea level to a maximum of 3050 m (10,000 ft), no direct sustained sunlight. Maximum rate of change is 20°C/hr (36°F/hr). The upper limit and rate of change may be limited by the type and number of options installed</p> <p>System performance during standard operating support may be reduced if operating with a fan fault or above 30°C (86°F)</p> <hr/> <p>Extended ambient operating support:</p> <p>10° to 5°C (50° to 41°F) and 35° to 40°C (95° to 104°F)</p> <p>For approved hardware configurations, the supported system inlet range is extended to be: 10° to 5°C (50° to 41°F) and 35° to 40°C (95° to 104°F) at sea level with an altitude derating of 1.0°C per every 175 m (1.8°F per every 574 ft) above 900 m (2953 ft) to a maximum of 3050 m (10,000 ft)</p> <p>For approved hardware configurations, the supported system inlet range is extended to be: 40° to 45°C (104° to 113°F) at sea level with an altitude derating of 1.0°C per every 125 m (1.8°F per every 410 ft) above 900 m (2953 ft) to a maximum of 3050 m (10,000 ft)</p> <hr/> <p>Non-operating:</p> <p>-30° to 60°C (-22° to 140°F)</p> <p>System performance may be reduced if operating in the extended ambient operating range or with a fan fault</p> <p>Maximum rate of change is 20°C/hr (36°F/hr)</p>
Relative humidity (Non-condensing)	<p>Operating:</p> <p>10 to 90%</p> <p>Relative humidity (Rh), 28°C (82.4°F) maximum wet bulb temperature, non-condensing</p> <hr/> <p>Non-operating:</p> <p>5 to 95%</p> <p>Relative humidity (Rh), 38.7°C (101.7°F) maximum wet bulb temperature, non-condensing</p>

Specifications	Description
Altitude operating	3050 m (10,000 ft) This value may be limited by the type and number of options installed. Maximum allowable altitude change rate is 457 m/min (1500 ft/min)

Acoustic noise	Listed are the declared A-Weighted sound power levels (LWAd) and measured average bystander position A-Weighted sound pressure levels (LpAm) when the product is operating in a 23°C ambient environment. Noise emissions were measured in accordance with ISO 7779 (ECMA 74) and declared in accordance with ISO 9296 (ECMA 109). The listed sound levels apply to standard shipping configurations. Additional options may result in increased sound levels
----------------	---

Configuration Entry	Base	Performance
SKU		
Idle		
LWAd	6.9B	6.9B
LpAm	53 dBA	53 dBA
Operating		
LWAd	8.1B	8.9B
LpAm	64 dBA	69 dBA

 **NOTE:**

Operating temperature has an altitude derating of 1.8°F (1°C) per 1,000 ft (304.8 m). No direct sunlight. Upper operating limit is 10,000 ft (3,048 m) or 70 Kpa/10.1 psia. Upper non-operating limit is 30,000 ft (9,144 m) or 30.3 KPa/4.4 psia. Storage maximum humidity of 95% is based on a maximum temperature of 113°F (45°C). Altitude maximum for storage is 70 KPa.

Spare Parts

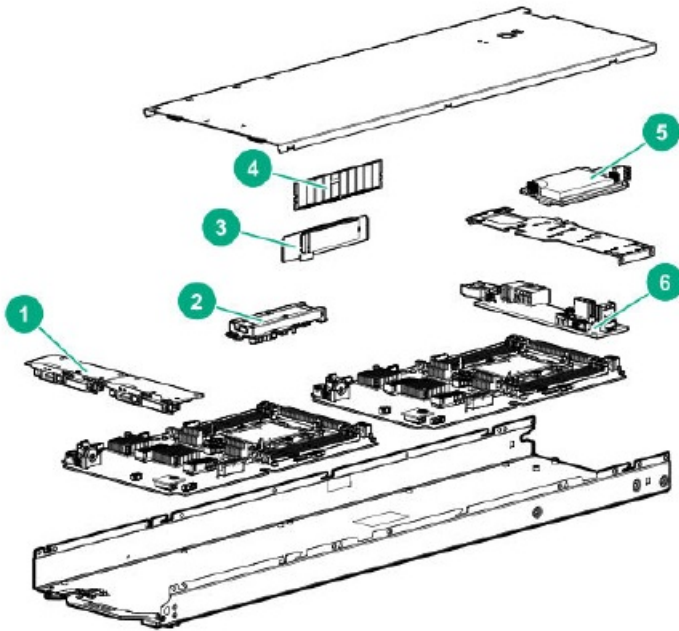
New model specific parts lists

IMPORTANT: To obtain current part number information for a specific product model, use the Standard Models page for this product family.

- The product Standard Models page now links the model SKU numbers to the spare parts list for each model found on the HPE PartSurfer website. (To report missing or incorrect parts information in PartSurfer, please use the "Contact us" and "Missing or incorrect data" links within the PartSurfer website utility).

To look up RoHS-compliant information in PartSurfer, use the component?s option part number or the sales order number for a system in which the component is used (Available in the QuickSpecs or Standard Models page).

System components



Item	Description	Spare Part Number
1	Front panel LED/SUV board spare parts	
	Front panel LED/SUV board	871897-001
2	HVDC module spare parts	
	HVDC Module with cables	869327-001
	HVDC board	871899-001
3	M.2 enablement spare parts	
	M.2 Interface enablement board	868124-001
	120GB SATA Solid State Drive (SSD) - 6 Gb/s interface, Read Intensive (RI), M.2 form factor (2280), Value Endurance (VE), supports power loss prevention	831995-001
4	DIMM Spare parts	

Item	Description	Spare Part Number
	HPE SmartMemory 8GB, 2400 MHz, PC4-2400T-R, DDR4, single-rank x4, 1.20 V, CAS-17- 17-17, Registered Dual In-Line Memory Module (RDIMM)	819410-001
	HPE SmartMemory 16GB, 2400MHz, PC4-2400T-R, DDR4, single-rank x 8, 1.20 V, CAS-17- 17-17, Registered Dual In-Line Memory Module (RDIMM)	819411-001
	HPE SmartMemory 16GB, 2400 MHz, PC4-2400T-R, DDR4, dual-rank x 4, 1.20 V, CAS-17- 17-17, Registered Dual In-Line Memory Module (RDIMM)	846740-001
	HPE SmartMemory 32 GB, 2400 MHz, PC4-2400T-R, DDR4, dual-rank x 4, 1.20 V, CAS-17- 17-17, Registered Dual In-Line Memory Module (RDIMM)	819412-001
	64GB PC4-2400T-L load Reduced Dynamic Random Access Memory (LRDIM) Synchronous Dynamic Random Access Memory (SDRAM), Dual Data Rate (DDR4) mode, Dual In-line Memory Module (DIMM),8G x 72	819413-001
	HPE SmartMemory 32 GB, 2400 MHz, PC4-2400T-L, DDR4, dual-rank x4, 1.20 V, CAS-17-17- 17, Load Reduced Dual In-line Memory Module (LRDIMM)	819414-001

Item	Description	Spare Part Number
	InfiniBand (IB), Enhanced Data Rate(EDR), 100GB 2-port adapter	844381-001
6	Power management board spare parts	
	Rear power management I/O interface board	871898-001
7	Processor spare parts	
	Intel Xeon Phi 7210, 64-cores, processor - 1.30 GHz (Knights Landing, 32MB Level-2 cache, 215 W Thermal Design Power (TDP), socket SVLCLGA3647	867568-001
	Intel Xeon Phi 7210F, 64-cores, processor - 1.30 GHz (Knights Landing, 32MB Level-2 cache, 16GB MCDRAM memory, 230 W Thermal Design Power (TDP), socket SVLCLGA3647)	867570-001
	Intel Xeon Phi 7230, 64 - cores, processor - 1.30 GHz (Knights Landing, 32MB Level-2 cache, 215 W Thermal Design Power (TDP), socket SVLCLGA3647	867565-001
	Intel Xeon Phi 7230F, 64 - cores, processor - 1.30 GHz (Knights Landing, 32MB Level-2 cache, 16GB MCDRAM memory, 215 W Thermal Design Power (TDP), socket SVLCLGA3647)	867567-001

Item	Description	Spare Part Number
	Intel Xeon Phi 7250, 68 - cores, processor - 1.40 GHz (Knights Landing, 32MB Level-2 cache, 215 W Thermal Design Power (TDP), socket SVLCLGA3647	867563-001
	Intel Xeon Phi 7250F, 68 - cores, processor - 1.40 GHz (Knights Landing, 32MB Level-2 cache, 16GB MCDRAM memory, 215 watt Thermal Design Power (TDP), socket SVLCLGA3647	867564-001
	Intel Xeon Phi 7290F 72 - cores, processor - 1.50 GHz (Knights Landing, 36MB Level-2 cache, 16GB MCDRAM memory, 260 watt Thermal Design Power (TDP), socket SVLCLGA3647	867562-001
	Intel Xeon Phi 7290, 72 - cores, processor - 1.50 GHz (Knights Landing, 36MB Level-2 cache, 245 W Thermal Design Power (TDP), socket SVLCLGA3647)	867561-001
Cable spare parts		
	Whisper 4 x 6 to 2 x Whisper 6 x 3Y high-speed fabric cable interface	868139-001
	100Gb Dual Xeon Phi dual port OP	870854-001
	100Gb, 40 Ghz, LHSS 2xmezz, single port cable	874693-001

Item	Description	Spare Part Number
	100Gb, 20 Ghz LHSS 2mz SL port cable	874694-001
	100Gb, 40 Ghz, LHSS 2xmezz, single port cable	874691-001
	Management sideband front and rear cable	871901-001
	10GB Network interface card front cable	871902-001
	10GB Network interface card rear cable	871903-001
	Front cable assembly LED/SUV	871904-001
	LED/SUV Rear cable	871905-001
	HVDC Module power cable	871906-001
	12 V dc Power to rear power	871907-001
System battery spare parts		
	Battery for Real- Time Clock (RTC) - 3.0 V, 220 mAh, lithium coin cell, 20 mm diameter, 3.2 mm height (CR2032)	234556-001

 **NOTE:**

Item 7 is not shown in the image

All processors in this HPE ProLiant server must have the same cache size, speed, number of cores, and rated maximum power consumption.

Option Parts

New model specific parts lists

IMPORTANT: To obtain current part number information for a specific product model, use the Standard Models page for this product family.

- The product Standard Models page now links the model SKU numbers to the spare parts list for each model found on the HPE PartSurfer website. (To report missing or incorrect parts information in PartSurfer, please use the "Contact us" and "Missing or incorrect data" links within the PartSurfer web site utility).

To look up RoHS-compliant information in PartSurfer, use the component's option part number or the sales order number for a system in which the component is used (Available in the QuickSpecs or Standard Models page).

HPE Processors

Description	Part Number
HPE XL2x260w Intel Xeon Phi x200 7290 (1.5 GHz/72-core/245 W) FIO processor kit	878223-L21
HPE XL2x260w Intel Xeon Phi x200 7250 (1.4 GHz/68-core/215 W) FIO processor kit	878224-L21
HPE XL2x260w Intel Xeon Phi x200 7210 (1.3 GHz/64-core/215 W) FIO processor kit	878225-L21
HPE XL2x260w Intel Xeon Phi x200 7230 (1.3 GHz/64-core/215 W) FIO processor kit	878226-L21
HPE XL2x260w Intel Xeon Phi x200 7210F (1.3 GHz/64-core/230 W)FIO processor kit	878227-L21
HPE XL2x260w Intel Xeon Phi x200 7230F (1.3 GHz/64-core/230 W)FIO processor kit	878228-L21
HPE XL2x260w Intel Xeon Phi x200 7250F (1.4 GHz/68-core/230 W)FIO processor kit	878229-L21
HPE XL2x260w Intel Xeon Phi x200 7290F (1.5 GHz/72-core/260 W)FIO processor kit	878230-L21

NOTE:

- 'F' in back of the processor model number indicates on-board fabric
- The processor model as well as the memory configuration determines the maximum speed memory can operate.
- For the maximum supported memory speeds for each processor listed above, please reference the 'Memory Speed by Processor Model' table in the Memory section of the QuickSpecs.
- DDR4 speed is the maximum memory speed of the processor. Actual memory speed may depend on the quantity and type of DIMMs installed.

HPE Memory

Description	Part Number
Registered DIMMs (RDIMMs) – DDR4-2400	
HP 8GB (1 x 8GB) single rank x8 DDR4-2400 CAS-17-17-17 registered memory kit	805347-B21
HP 16GB (1 x 16GB) single rank x4 DDR4-2400 CAS-17-17-17 registered memory kit	805349-B21
HPE 16GB (1 x 16GB) dual rank x4 DDR4-2400 CAS-17-17-17 registered memory kit	836220-B21
HP 32GB (1 x 32GB) dual rank x4 DDR4-2400 CAS-17-17-17 registered memory kit	805351-B21
Load Reduced DIMMs (LRDIMMs) –DDR4-2400	
HPE 32GB (1 x 32GB) dual rank x4 DDR4-2400 CAS-17-17-17 load reduced memory kit	805353-B21
HPE 64GB (1 x 64GB) quad rank x4 DDR4-2400 CAS-17-17-17 load reduced memory kit	805358-B21

NOTE:

- A maximum of 6 DIMMs are supported per XL2x260w server node
- LRDIMM and RDIMM are distinct memory technologies and cannot be mixed within a server.
- HPE memory from previous generation servers (DDR3) is not compatible with this server. HPE SmartMemory is required to realize the memory performance improvements and enhanced functionality listed.
- Depending on the memory configuration and processor model, the memory speed may run at 2400 Mhz, 2133 MHz.

[Click here to access HPE SmartMemory QuickSpecs for more information .](#)

[Click here to access the online memory configuration tool .](#)

HPE Networking

Description	Part Number
InfiniBand options	
HPE Apollo InfiniBand EDR 100Gb 2-port 840z mezzanine FIO adapter	843400-B21
OmniPath options	
HPE 100Gb 1-port 860z Intel Omni-Path architecture FIO adapter	851226-B21
HPE XL2x260w 2x Mezz LH single port cable	876380-B21
Fabric cable options	
HPE X200 CPU Omni-Path Architecture (OPA), fabric dual cable FIO kit	869077-B21

HPE Drives

Description	Part Number
Read Intensive – SATA M.2 Solid State Drives	
HPE 150GB SATA 6G read intensive M.2 2280 3 year warranty digitally signed firmware SSD	875317-B21
HPE 480GB SATA 6G read intensive M.2 2280 3 year warranty digitally signed firmware SSD	875319-B21
HPE 480GB SATA 6G read intensive M.2 2280 3 year warranty digitally signed firmware SSD	875498-B21
HPE 960GB SATA 6G read intensive M.2 2280 3 year warranty digitally signed firmware SSD	875500-B21
HPE 1.92GB SATA 6G read intensive M.2 2280 3 year warranty digitally signed firmware SSD	875496-B21
Mixed Use – SATA M.2 Solid State Drives	
HPE 240GB SATA 6G mixed Use M.2 2280 3 year warranty digitally signed firmware SSD	875488-B21
HPE 480GB SATA 6G mixed Use M.2 2280 3 year warranty digitally signed firmware SSD	875490-B21
HPE 960GB SATA 6G mixed Use M.2 2280 3 year warranty digitally signed firmware SSD	875492-B21
HPE 1.92TB SATA 6G mixed Use M.2 2280 3 year warranty digitally signed firmware SSD	875494-B21

HPE iLO Advanced

Description	Part Number
HPE iLO Advanced including 1 year 24x7 technical support and updates E-LTU	E6U59ABE
HPE iLO Advanced including 3 year 24x7 technical support and updates E-LTU	E6U64ABE
HPE iLO Advanced including 3 year 24x7 technical support and updates 1-server LTU	BD505A
HPE iLO Advanced including 1 year 24x7 technical support and updates 1-server LTU	512485-B21

Security hardware

Description	Part Number
HPE Trusted Platform Module 2.0 Kit	745823-B21

OS Compatibility

Feature	Description
Operating systems and virtualization software support for ProLiant Servers	<ul style="list-style-type: none">• Red Hat Enterprise Linux (RHEL)<ul style="list-style-type: none">◦ RHEL 7.3 / CentOS◦ RHEL 7.4 / CentOS• SUSE Linux Enterprise Server (SLES)<ul style="list-style-type: none">◦ SLES 12 SP3
HPE Insight management software	HPE Service Pack for ProLiant (SPP)

NOTE:

- Only 64-bit versions of these operating systems are supported
- For more information, refer the HPE Certified and Supported ProLiant Servers for OS and Virtualization Software and latest listing of software drivers available for users server including how to purchase from Hewlett Packard Enterprise

[Click here to view the Server Operating Systems and Virtualization Software page](#).

Software Compatibility

- HPE Smart Update
- HPE Systems Insight Manager (HPE SIM)
- Scripting Tool Kit and Windows PowerShell
- HPE RESTful Interface Tool
- HPE iLO Mobile Application
- HPE Insight Online