

# Microcloud A+ Server AS -3015MR-H8TNR



More details here

## Key Applications

Cloud Computing, Web/Collocation Services, Web Cache, CDN, Video Streaming, Social Networking, Downloads, Corporate - WINS, DNS, Print, Login,

## Key Features

- 8 set of AMD Ryzen (Zen4) CPU, AM5 Socket, LGA-1718.;
- AMD Knoll - Integrated I/O Controller Hub;
- 8 set of Up to 128GB ECC/non ECC UDIMM; DDR5 5200MHz, in 4 DIMM sockets;
- 8 set of PCIe 5.0 x8 (in x16 slot) low profile slot and 8 set of Micro-LP slots (MicroLP upgradable);
- 8 set of 2x Front NVMe U.2/ SAS/ SATA3 drives w/ optional kits;
- 2200W Redundant 80+ Titanium Level high-efficiency power supplies;



Form Factor	3U Rackmount Enclosure: 438 x 132 x 589mm (17.26" x 5.21" x 23.2") Package: 667 x 295.91 x 863.6mm (26.26" x 11.65" x 34")
-------------	--

Processor	Single Socket AM5 (LGA-1718) AMD Ryzen™ Zen4 7000 series Processors Up to 16C/32T; Up to 16MB Cache per CPU Supports 65W - 170W TDP CPUs (Air Cooled)
-----------	--

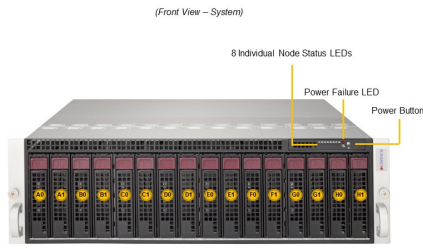
System Memory	Memory Capacity: 4 DIMM slots Up to 128: 4x 32 GB DRAM Memory Type: 5200MHz DDR5 UDIMM
---------------	--

Drive Bays	2x 3.5" hot-swap NVMe/SAS/SATA drive bays 2 U.2 NVMe drive supportNative 1 M.2 NVMe
------------	---

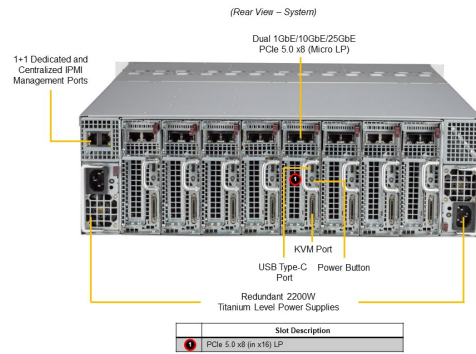
Expansion Slots	1 PCIe 5.0 x16 LP slot(s) 1 PCIe 5.0 x8 MLP slot(s)
-----------------	--

On-Board Devices	NVMe: U.2 NVMe (Native) SAS: SAS3 via SAS 3908 controller (requires add-on card) SATA: N/A (unless configured via a controller) Chipset: AMD Knoll - Integrated I/O Controller Hub Network Connectivity: No NIC option supported
------------------	--

Input / Output	NVMe: 2 U.2 NVMe Video: 1 VGA port(s) TPM: TPM 2.0 On Board/Port 80 Serial Port: 1 COM Port(s) (1 KVM)
----------------	---



Drive Bay (node A-F)	Description
0 - 1	2 Hot-swap 3.5" SATA3 Drive Bays (2 per node)



Slot Description
0 PCIe 5.0 x8 (in x16) LP

System Cooling	4x 8cm heavy duty fan(s)
Power Supply	2200W Redundant Titanium Level power supplies
System BIOS	BIOS Type: AMI 32MB SPI Flash EEPROM
PC Health Monitoring	<p>Temperature: Monitoring for CPU and chassis environment</p> <p>CPU: Monitors for CPU Cores, +3.3V, +5V, +12V, +3.3V Standby, +5V Standby, VBAT, Memory, Chipset Voltages. 3-Phase-switching voltage regulator with auto-sense from 0.5V-2.3V</p> <p>FAN: Cooling zone</p>
Dimensions and Weight	<p>Height: 5.21" (132 mm)</p> <p>Width: 17.26" (438 mm)</p> <p>Depth: 23.2" (589 mm)</p> <p>Gross Weight: 88 lbs (39.92 kg)</p> <p>Net Weight: 62.2 lbs (28.21 kg)</p> <p>Packaging: 11.65" (H) x 26.26" (W) x 34" (D)</p> <p>Available Color: N/A</p>
Operating Environment	<p>ROHS: RoHS Compliant</p> <p>Operating Temperature: 10°C ~ 35°C (50°F ~ 95°F)</p> <p>Non-operating Temperature: -40°C to 70°C (-40°F to 158°F)</p> <p>Operating Relative Humidity: 8% to 90% (non-condensing)</p> <p>Non-operating Relative Humidity: 5% to 95% (non-condensing)</p>
Motherboard	<a href="#">Super H13SRD-F</a>
Chassis	CSE-938NH-R2K20BP2