

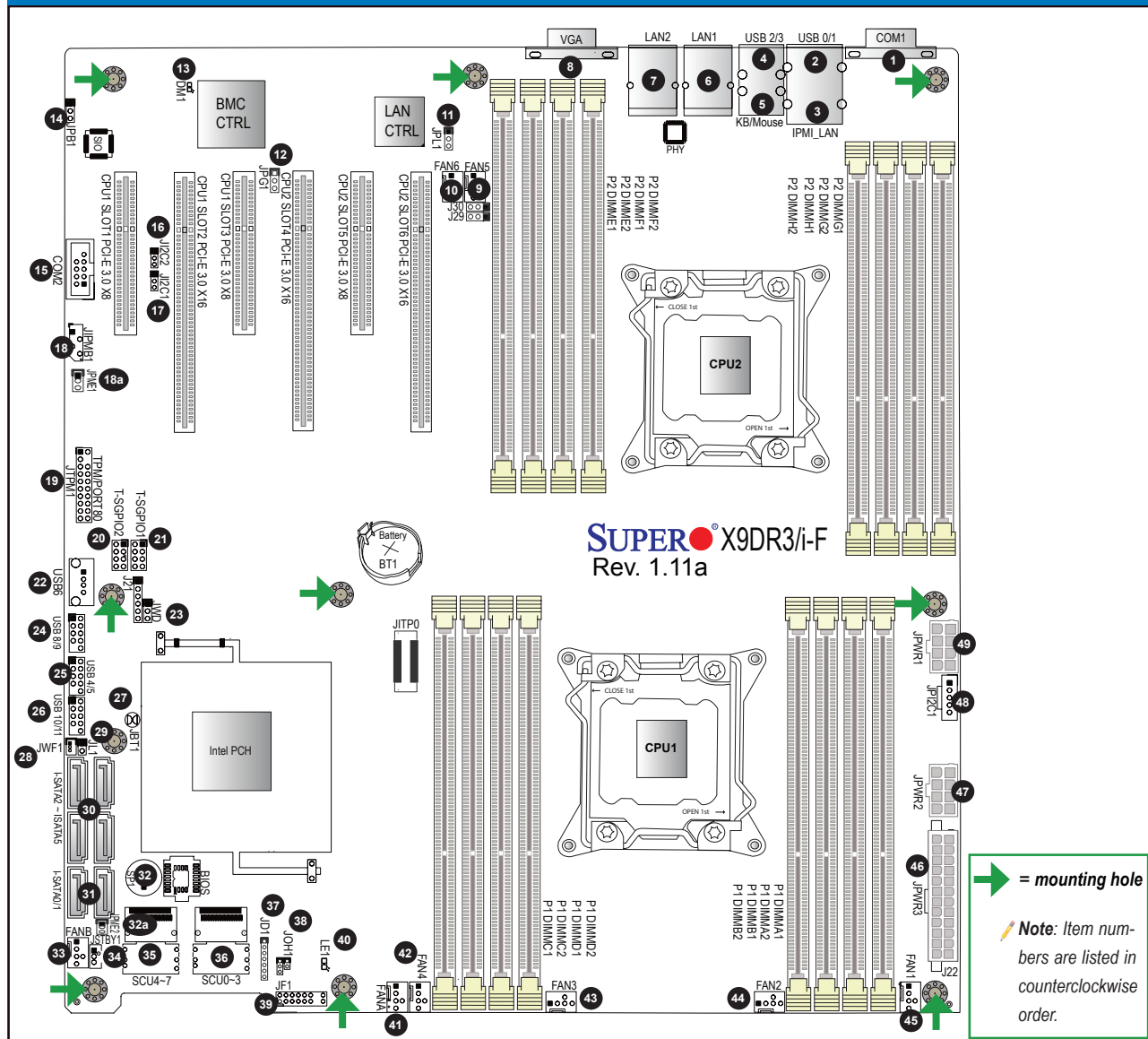
CONTACT INFORMATION

- www.supermicro.com (Email: support@supermicro.com)
- Manuals: <http://www.supermicro.com/support/manuals>
- Drivers & Utilities: <ftp://ftp.supermicro.com>
- Safety: http://www.supermicro.com/about/policies/safety_information.cfm

PACKAGE CONTENTS (Applies to single-pack only)

- One (1) Supermicro Motherboard
- Two (2) Serial ATA Cables
- One (1) I/O Shield
- Two (2) I-Pass to Serial ATA Cables (X9DR3-F)
- One (1) I-Pass to Serial ATA Cable (X9DRi-F)

Motherboard Layout and Features



Jumpers, Connectors and LED Indicators

Jumpers

Jumper	Item #	Description	Default
JBT1	27	Clear CMOS	None
JPB1	14	BMC Enabled	Pins 1-2 (Enabled)
JPG1	12	VGA Enabled	Pins 1-2 (Enabled)
JPL1	11	GLAN1/GLAN2 Enable	Pins 1-2 (Enabled)
JPME1	18a	Management Engine (ME) Recovery Mode	Pins 1-2 (Normal)
JPME2	32a	Management Engine (ME) Manufacture Mode	Pins 1-2 (Normal)
JWD	23	Watch Dog	Pins 1-2 (Reset)

Connectors

Connector	Item #	Description
COM1, COM2	1, 15	Back Panel Com Port1 / Front Accessible COM2 Header
Fan 1-3	45, 44, 43	CPU/System Fan Headers
Fan 4-6	42, 9, 10	CPU/System Fan Headers
FanA, FanB	41, 33	CPU/System Fan Headers
I-SATA 0/1	31	Intel SB SATA 3.0 Connectors 0/1
I-SATA 2-5	30	Intel SB SATA 2.0 Connectors 2-5
J22 (JPWR3)	46	ATX 24-Pin Power Connector
JD1	37	Speaker/Power LED Indicator
JF1	39	Front Panel Control Header
JI ² C1/JI ² C2	17, 16	SMBus I ² C Header
JIPMB1	18	4-Pin External BMC I ² C Header (for IPMI card)
JL1	29	Chassis Intrusion
JOH1	38	Overheat LED Indicator
JPI ² C1	48	Power Supply SMBus I ² C Header
JPWR1/2	49, 47	12V 8-Pin Power Connectors
JSTBY1	34	Standby Header
JTPM1	19	TPM (Trusted Platform Module) Port 80
JWF1	28	SATA DOM (Disk on Module) Power Connector
LAN1, LAN2	6, 7	G-bit Ethernet Ports 1/2
(IPMI) LAN	3	IPMI Dedicated LAN
SCU 0-3	36	SCU Connectors 0-3
SCU 4-7	35	SCU Connectors 4-7 (for X9DR3-F only)
SP1	32	Onboard Buzzer (Internal Speaker)
T-SGPIO 1, 2	21, 20	Serial Link General Purpose I/O Headers
BP USB 0/1, USB 2/3	2, 4	Back Panel USB 0/1, 2/3
USB 4/5, USB 6,	25, 22	Front Panel Accessible USB Connections
USB 8/9, USB 10/11	24, 26	Front Panel Accessible USB Connections
VGA	8	Back Panel VGA Port

LED Indicators

LED	Item #	Description	Color/State	Status
DM1	13	BMC Heartbeat LED	Green: Blinking	BMC Normal
LE1	40	Standby PWR LED	Green: On	SB Power On

Memory Support

This motherboard supports up to 1 TB of Load Reduced (LRDIMM), 512 GB of Registered (RDIMM) or 128 GB of Unbuffered (UDIMM) ECC/Non-ECC DDR3 800/1066/1333/1600/1866 MHz 240-pin 4-channel memory modules in 16 DIMM slots.

Note: For memory optimization, use only DIMM modules that have been validated by Supermicro. For the latest memory updates, please refer to our website at <http://www.supermicro.com/products/motherboard>.

DIMM Installation

Insert the desired number of DIMMs into the memory slots, starting with P1-DIMMA1. For memory to work properly, follow the tables below for memory population order. Refer to the motherboard layout (at left) for the location of the DIMM slots.

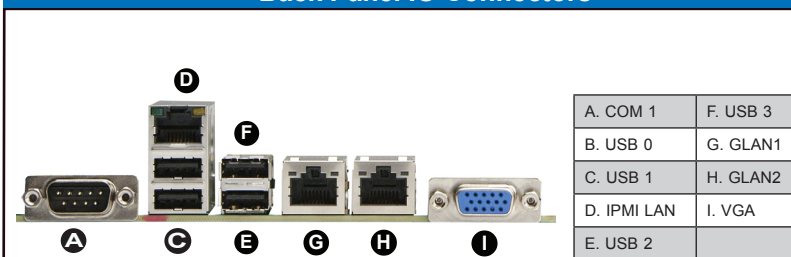
Processors and their Corresponding Memory Modules

CPU#	Corresponding DIMM Modules							
CPU 1	P1-DIMMA1	P1-DIMMB1	P1-DIMMC1	P1-DIMMD1	P1-DIMMA2	P1-DIMMB2	P1-DIMMC2	P1-DIMMD2
CPU 2	P2-DIMME1	P2-DIMMF1	P2-DIMMG1	P2-DIMMH1	P2-DIMME2	P2-DIMMF2	P2-DIMMG2	P2-DIMMH2

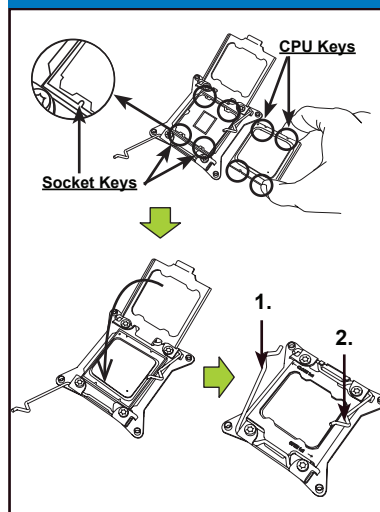
Processor and Memory Module Population for Optimal Performance

Number of CPUs+DIMMs	CPU and Memory Population Configuration Table (For memory to work properly, please follow the instructions below.)
1 CPU & 2 DIMMs	CPU1 P1-DIMMA1/P1-DIMMB1
1 CPU & 4 DIMMs	CPU1 P1-DIMMA1/P1-DIMMB1, P1-DIMMC1/P1-DIMMD1
1 CPU & 5-8 DIMMs	CPU1 P1-DIMMA1/P1-DIMMB1, P1-DIMMC1/P1-DIMMD1 + Any memory pairs in P1-DIMMA2/P1-DIMMB2/P1-DIMMC2/P1-DIMMD2 slots
2 CPUs & 4 DIMMs	CPU1 + CPU2 P1-DIMMA1/P1-DIMMB1, P2-DIMME1/P2-DIMMF1
2 CPUs & 6 DIMMs	CPU1 + CPU2 P1-DIMMA1/P1-DIMMB1/P1-DIMMC1/P1-DIMMD1, P2-DIMME1/P2-DIMMF1
2 CPUs & 8 DIMMs	CPU1 + CPU2 P1-DIMMA1/P1-DIMMB1/P1-DIMMC1/P1-DIMMD1, P2-DIMME1/P2-DIMMF1/P2-DIMMG1/P2-DIMMH1
2 CPUs & 10-16 DIMMs	CPU1/CPU2 P1-DIMMA1/P1-DIMMB1/P1-DIMMC1/P1-DIMMD1, P2-DIMME1/P2-DIMMF1/P2-DIMMG1/P2-DIMMH1 + Any memory pairs in P1, P2 DIMM slots
2 CPUs & 16 DIMMs	CPU1/CPU2 P1-DIMMA1/P1-DIMMB1/P1-DIMMC1/P1-DIMMD1, P2-DIMME1/P2-DIMMF1/P2-DIMMG1/P2-DIMMH1, P1-DIMMA2/P1-DIMMB2/P1-DIMMC2/P1-DIMMD2, P2-DIMME2/P2-DIMMF2/P2-DIMMG2/P2-DIMMH2

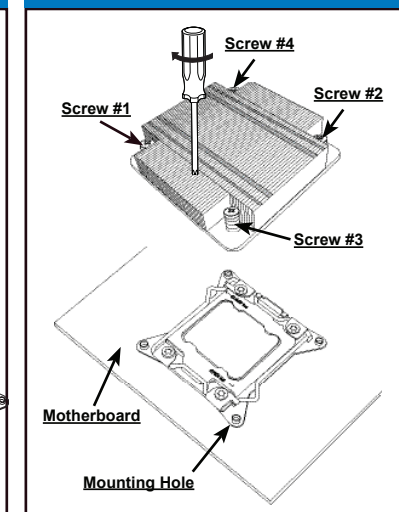
Back Panel IO Connectors



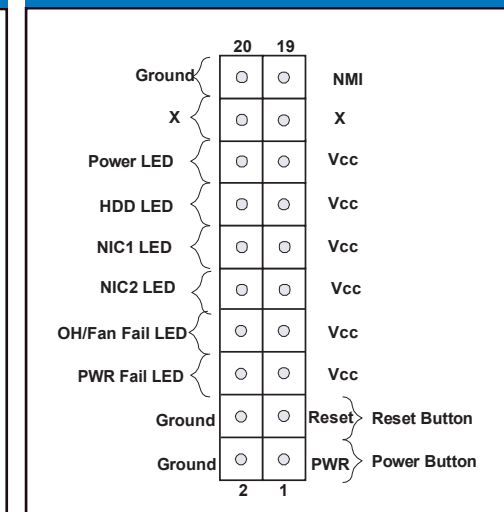
CPU Installation



Heatsink Installation



JF1 Header Pins



Note: Graphics shown in this quick reference guide are for illustration only. Your components may or may not look exactly the same as drawings shown in this guide.

Note: Refer to Chapter 2 of the User Manual for detailed information on jumpers, connectors, and LED indicators.

Note: Refer to Chapter 2 of the User Manual for detailed information on memory support and CPU/motherboard installation instructions.