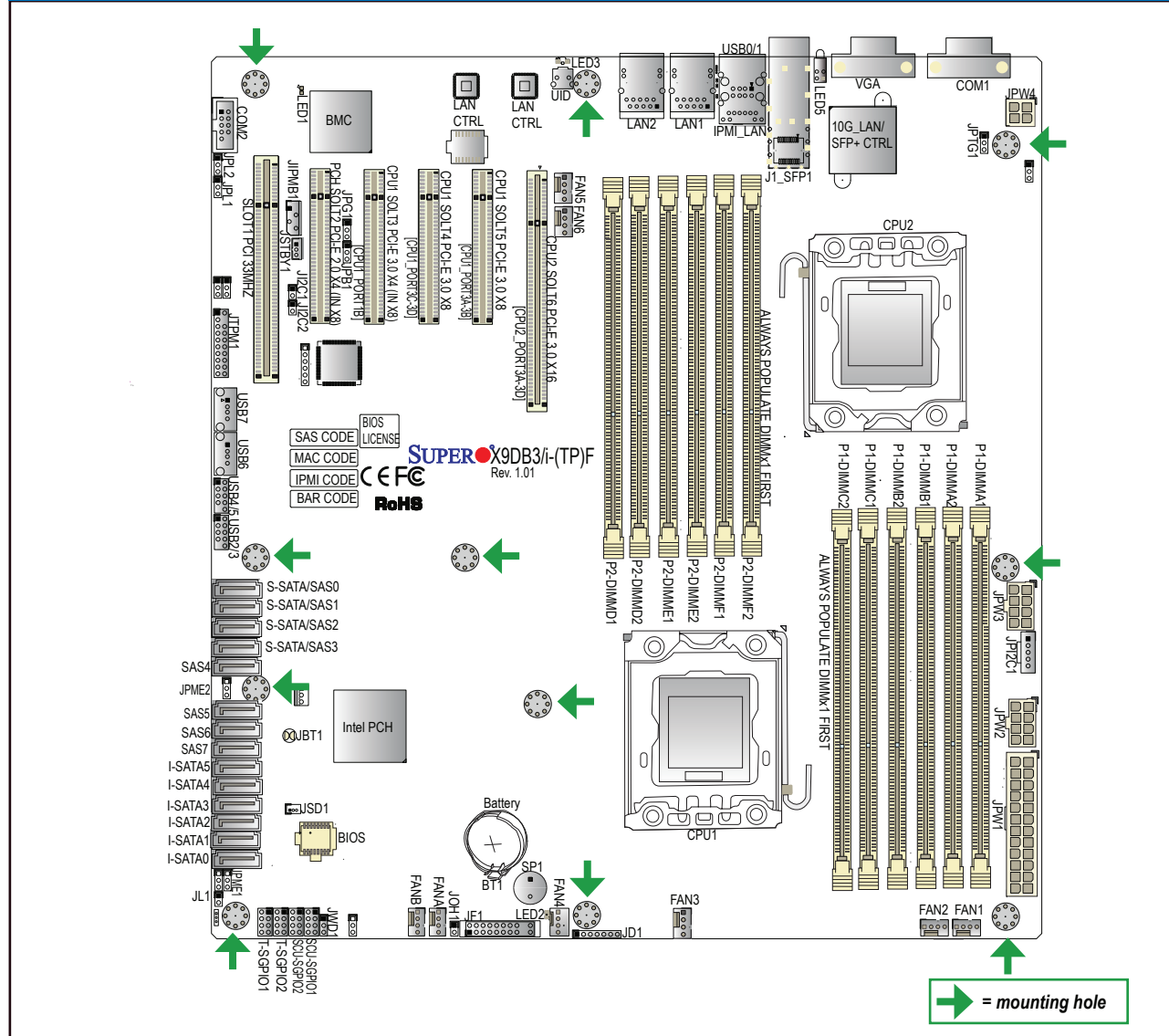


**Motherboard Layout and Features**



**Jumpers, Connectors and LED Indicators**

Jumpers		
Jumper	Description	Default Setting
JBT1	Clear CMOS	See Chapter 3
J1 <sup>2</sup> C1/J1 <sup>2</sup> C2	SMB to PCI-E Slots	Open (Disabled)
JPB1	BMC Enable	Pins 1-2 (Enabled)
JPG1	VGA Enable	Pins 1-2 (Enabled)
JPL1/JPL2	Gigabit LAN Ports 1/2 Enable	Pins 1-2 (Enabled)
JPME1	Management Engine (ME) Recovery	Pins 1-2 (Normal)
JPME2	ME Mode Select	Pins 1-2 (Normal)
JPTG1 (X9DB3/i-TPF Only)	10G(T)_LAN/SPF+ Enable	Pins 1-2 (Enabled)
JWD1	Watch Dog	Pins 1-2 (Reset)

Connectors	
Connectors	Description
Battery (BT1)	Onboard Battery (See Chpt. 3 for Used Battery Disposal Info.)
COM 1/COM 2	Backplane COM Port1/Front Accessible COM2 Header
FAN1-6, FANA, FANB	CPU/System Fan Headers
IPMI_LAN	IPMI_Dedicated LAN Port
J1_SFP1	10G (T)_LAN+SFP+ Connector (X9DB3/i-TPF Only)
JD1	Power LED/Speaker (PWR LED Pins 1~3, Speaker: Pins 4~7)
JF1	Front Control Panel Header
JIPMB1	4-pin External BMC I <sup>2</sup> C Header (for an IPMI Card)
JL1	Chassis Intrusion
JOH1	Overheat/Fan Fail LED
JPW1	24-pin ATX Power Connector
JPW2/JPW3	8-pin Power Connectors
JPW4	4-pin Power Connector
J1 <sup>2</sup> C1	Power Supply SMBus I <sup>2</sup> C SMB
JSTBY1	Standby Power Header
JTPM1	TPM (Trusted Platform Module)/Port 80
JSD1	SATA DOM (Disk On Module) Power Connector
LAN1/2	1G-bit Ethernet LAN Ports 1/2
(I-)SATA 0/1	Intel SATA 3.0 Connectors 0/1 from PCH
(I-)SATA 2-5	Intel SATA 2.0 Connectors 2-5 from AHCI
(S-)SATA/SAS 0-3	SATA/SAS Connectors 0-3 from Intel SCU (SATA 2.0 Connections: for X9DBi only, SAS Connections: for X9DB3 only)
SAS 4-7	SAS Internal Connectors 4-7 (X9DB3 only)
(SCU)-SGPIO 1/2	Serial_Link General Purpose I/O Connectors 1/2 for SCU SATA/SAS Ports ((SCU)-SGPIO 2 for X9DB3 only)
(T)-SGPIO 1/2	Serial_Link General Purpose I/O Connectors 1/2 for I-SATA Ports
SP1	Internal Speaker (Buzzer) Header
Slot 1	PCI 33 MHz Slot
(PCH) Slot 2	PCI-Exp. 2.0 x4 (in x8) Slot
(CPU1) Slot 3	PCI-Exp. 3.0 x4 (in x8) Slot
(CPU1) Slots 4/5	PCI-Exp. 3.0 x8 Slots 4/5
(CPU2) Slot 6	PCI-Exp. 3.0 x16 Slot

**Jumpers, Connectors and LED Indicators**

UID	Unit Identifier (UID) Switch
USB 0/1	Backplane USB Ports 0/1
USB 2/3, USB 4/5	Front Accessible USB Connection Headers 2/3, 4/5
USB 6, USB 7	Front Panel Type A USB Ports 6/7
VGA	VGA Port

LED Indicators			
LED	Description	State	Status
LED1	BMC Heartbeat LED	Green: Blinking	BMC: Normal
LED2	Onboard Power LED	On	System Power On
LED3	UID LED	Blue: On	Unit Identified
LED5 (X9DB3/i-TPF Only)	10G(T)_LAN/SFP+ Activity	Green: Blinking	10G_LAN: Active

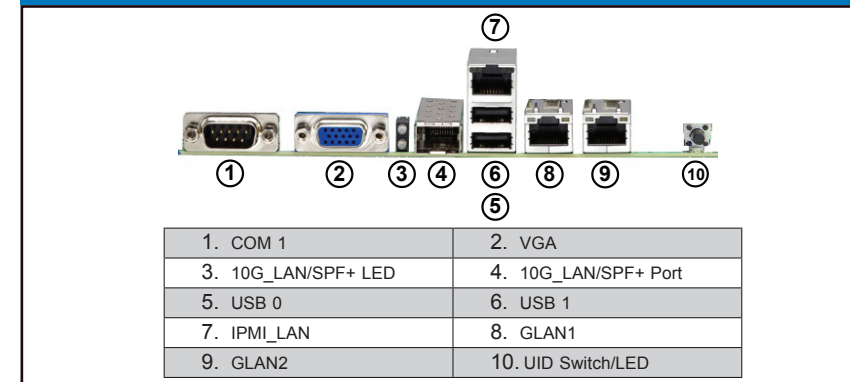
**Memory Support**

The X9DB3/i-(TP)F Motherboard supports up to 384GB Registered (RDIMM)/Load Reduced (LRDIMM) ECC or up to 96GB of Unbuffered (UDIMM) ECC/Non-ECC DDR3 memory with speeds of 1600/1333/1066/800 MHz in 12 DIMM slots. For the latest memory updates, please refer to our website at <http://www.supermicro.com/products/motherboard>.

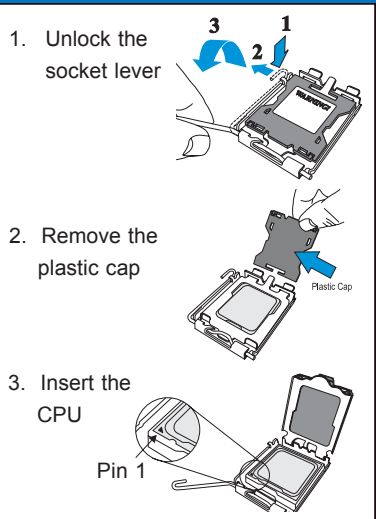
**DIMM Memory Installation**

Processor and Memory Module Population for Optimal Performance	
Number of CPUs+DIMMs	CPU and Memory Population Configuration Table (For memory to work properly, please follow the instructions below.)
1 CPU & 2 DIMMs	CPU1 P1-DIMMA1/P1-DIMMB1
1 CPU & 4 DIMMs	CPU1 P1-DIMMA1/P1-DIMMB1, P1-DIMMA2/P1-DIMMB2
1 CPU & 6 DIMMs	CPU1 P1-DIMMA1/P1-DIMMB1, P1-DIMMA2/P1-DIMMB2, P1-DIMMC1/P1-DIMMC2
2 CPUs & 4 DIMMs	CPU1 + CPU2 P1-DIMMA1/P1-DIMMB1, P2-DIMMD1/P2-DIMME1
2 CPUs & 6 DIMMs	CPU1 + CPU2 P1-DIMMA1/P1-DIMMB1/P1-DIMMC1, P2-DIMMD1/P2-DIMME1/P2-DIMMF1
2 CPUs & 8 DIMMs	CPU1 + CPU2 P1-DIMMA1/P1-DIMMB1/P1-DIMMC1/P1-DIMMA2, P2-DIMMD1/P2-DIMME1/P2-DIMMF1/P2-DIMMD2
2 CPUs & 10 DIMMs	CPU1 + CPU2 P1-DIMMA1/P1-DIMMB1/P1-DIMMC1/P1-DIMMA2/P1-DIMMB2, P2-DIMMD1/P2-DIMME1/P2-DIMMF1/P2-DIMMD2/P2-DIMME2
2 CPUs & 12 DIMMs	CPU1 + CPU2 P1-DIMMA1/P1-DIMMB1/P1-DIMMC1/P1-DIMMA2/P1-DIMMB2/P1-DIMMC2, P2-DIMMD1/P2-DIMME1/P2-DIMMF1/P2-DIMMD2/P2-DIMME2/P2-DIMMF2

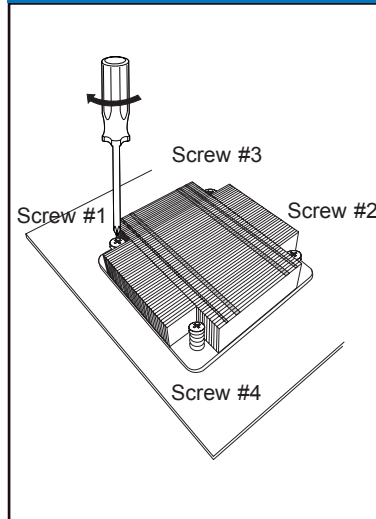
**Back Panel I/O Connectors**



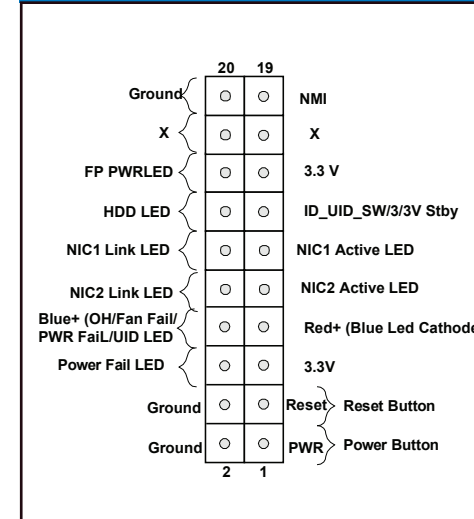
**CPU Installation**



**Heatsink Installation**



**Front Panel Control (JF1)**



Note: Graphics shown in this quick reference guide are for illustration only. Your components may or may not look exactly the same as drawings shown in this guide.

Note: Refer to Chapter 1 of the User Manual for detailed information on jumpers, connectors, and LED indicators.

Note: Refer to Chapter 2 of the User Manual for detailed information on memory support and CPU/motherboard installation instructions.