

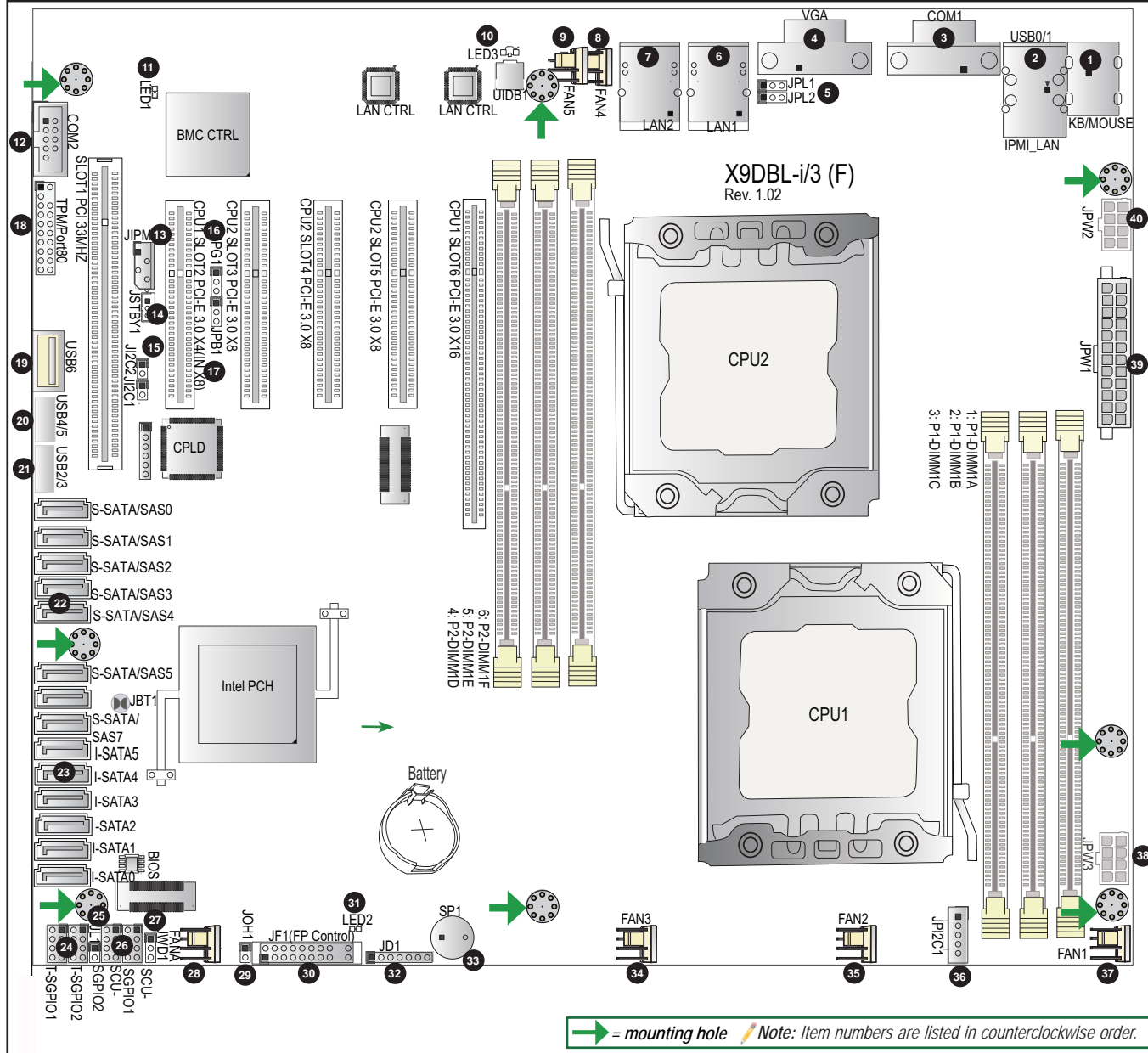
CONTACT INFORMATION

- www.supermicro.com (Email: support@supermicro.com)
- Manuals: http://www.supermicro.com/support/manuals
- Drivers & Utilities: ftp://ftp.supermicro.com
- Safety: http://www.supermicro.com/about/policies/safety_information.cfm

PACKAGE CONTENTS (FOR SINGLE-PACK ONLY)

- One (1) Supermicro Motherboard
- Six (6) SATA Cables (for X9DBL-i/iF)
- Eight (8) SATA Cables (for X9DBL-3/3F)
- One (1) I/O Shield

Motherboard Layout and Features



Jumpers/Connectors/LED Indicators

Jumpers			
Jumper	Item #	Description	Default
J12C1/J12C2	16	SMB to PCI-E Slots	Pins Open (Normal)
JPB1 (For-3F/iF)	18	BMC Enable	Pins 1-2 (Enabled)
JPG1	17	VGA Enable	Pins 1-2 (Enabled)
JPL1/JPL2	5	LAN1/LAN2 Enable	Pins 1-2 (Enabled)
JWD1	27	Watch Dog	Pins 1-2 (Reset)

Connectors		
Connectors	Item #	Description
COM1/COM2	3, 12	Backplane COM Port1/Front Accessible COM2 Header
FAN1-5, FANA	37, 35, 34, 8, 9, 28	CPU/System Fan Headers
JD1	32	Power LED/Speaker
JF1	30	Front Panel Control Header
JIPMB1 (For-3F/iF)	14	4-pin External BMC I2C Header (for an IPMI Card)
JL1	25	Chassis Intrusion
JOH1	29	Overheat/Fan Fail LED
JPIC1	36	Power Supply SMBbus I2C Header
JPW1	39	ATX 24-Pin Power Connector
JPW2/JPW3	38, 40	12V 8-Pin Power Connectors
JSTBY1	15	Standby Power Header
KB/Mouse	1	Keyboard/Mouse
LAN1/LAN2	6, 7	G-bit Ethernet Ports 1/2
(IPMI) LAN	2	IPMI_Dedicated LAN (For-3F/iF)
(I)-SATA 0-5	23	Intel PCH SATA Connections. SATA 2.0 (2-5: Black), SATA 3.0 (0/1: White),
(S)-SATA/SAS 0-3	22	S-SATA/SAS Connections 0-3 (from Intel SCU) (SATA for i/iF, SATA/SAS for 3/3F)
SAS 4-7	22	SAS Connections 4-7 from Intel SCU (For-3/3F)
SCU-SGPIO 1/2 (For-3/3F)	26	Serial Link General Purpose I/O Connector1:SCU-SATA/SAS 0-3; Connector 2: SAS 4-7
SP1	33	Internal Speaker/Buzzer
T-SGPIO 1/2	24	Serial Link SGPIO Connectors for I-SATA 0-5
TPM/Port 80 (JTPM)	13	TPM (Trusted Platform Module)/Port 80 Connection
USB 0/1	2	Back Panel USB 0/1
USB 2/3, 4/5	21, 20	Front Panel Accessible USB 2/3, 4/5 Connections
USB 6	19	Type A USB Port #6
UID Switch	10	UID (Unit Identifier) Switch

LED Indicators				
LED	Item #	Description	State	Status
LED1 (For-3F/iF)	11	BMC Heartbeat LED	Green: Blinking	Normal
LED2	31	Standby PWR LED	Green: On	SB Power On
LED3	9	UID LED	Blue: On or Blinking	Unit Identified

Memory Support

This motherboard supports up to 192 GB of 240-pin Registered (RDIMM)/Load Reduced (LRDIMM) ECC or 48 GB of Unbuffered (UDIMM) ECC/Non-ECC DDR3 800/1066/1333/1600 MHz 3-channel (per CPU) memory in 6 DIMM slots.

Note: For memory optimization, use only DIMM modules that have been validated by Supermicro. For the latest memory updates, please refer to our website at <http://www.supermicro.com/products/motherboard>.

DIMM Installation

Insert the desired number of DIMMs into the memory slots, starting with P1-DIMM1A. For memory to work properly, follow the tables below for memory population order. Refer to the motherboard layout (at left) for the location of the DIMM slots.

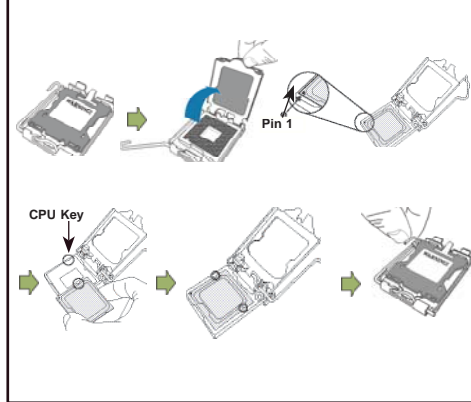
Processors and their Corresponding Memory Modules			
CPU#	Corresponding DIMM Modules		
CPU 1	P1-DIMM1A	P1-DIMM1B	P1-DIMM1C
CPU 2	P2-DIMM1D	P2-DIMM1E	P2-DIMM1F

Processor and Memory Module Population	
Number of CPUs+DIMMs	CPU and Memory Population Configuration Table (*For memory to work properly, please follow the instructions below for DIMM installation.)
1 CPU & 1 DIMMs	CPU1 P1-DIMM1A
1 CPU & 2 DIMMs	CPU1 P1-DIMM1A, P1-DIMM1B
1 CPU & 3 DIMMs	CPU1 P1-DIMM1A, P1-DIMM1B, P1-DIMM1C
2 CPUs & 2 DIMMs	CPU1 + CPU2 P1-DIMM1A, P2-DIMM1D
2 CPUs & 3 DIMMs	CPU1 + CPU2 P1-DIMM1A, P2-DIMM1D, P1-DIMM1B
2 CPUs & 4 DIMMs	CPU1 + CPU2 P1-DIMM1A, P2-DIMM1D, P1-DIMM1B, P2-DIMM1E
2 CPUs & 5 DIMMs	CPU1 + CPU2 P1-DIMM1A, P2-DIMM1D, P1-DIMM1B, P2-DIMM1E, P1-DIMM1C
2 CPUs & 6 DIMMs	CPU1 + CPU2 P1-DIMM1A, P2-DIMM1D, P1-DIMM1B, P2-DIMM1E, P1-DIMM1C, P2-DIMM1F

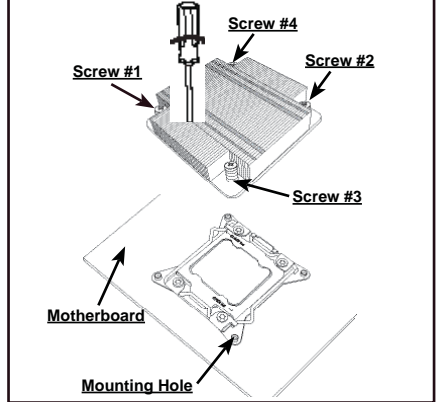
Back Panel IO Connectors



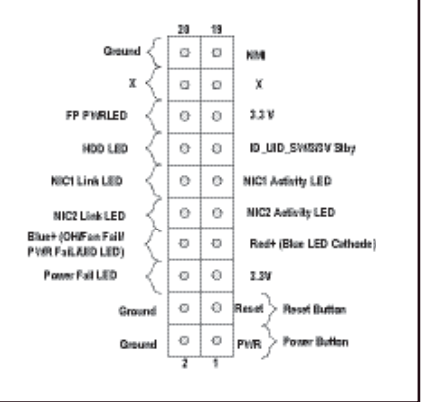
CPU Installation



Heatsink Installation



Front Panel Control (JF1)



Note: Graphics shown in this quick guide are for illustration only. Your components may or may not look exactly the same as drawings shown in this guide.

Note: Refer to Chapter 2 of the User Manual on detailed information on jumpers, connectors, and LED indicators.

Note: Refer to Chapter 2 of the User Manual for detailed information on memory support and CPU/motherboard installation instructions.