

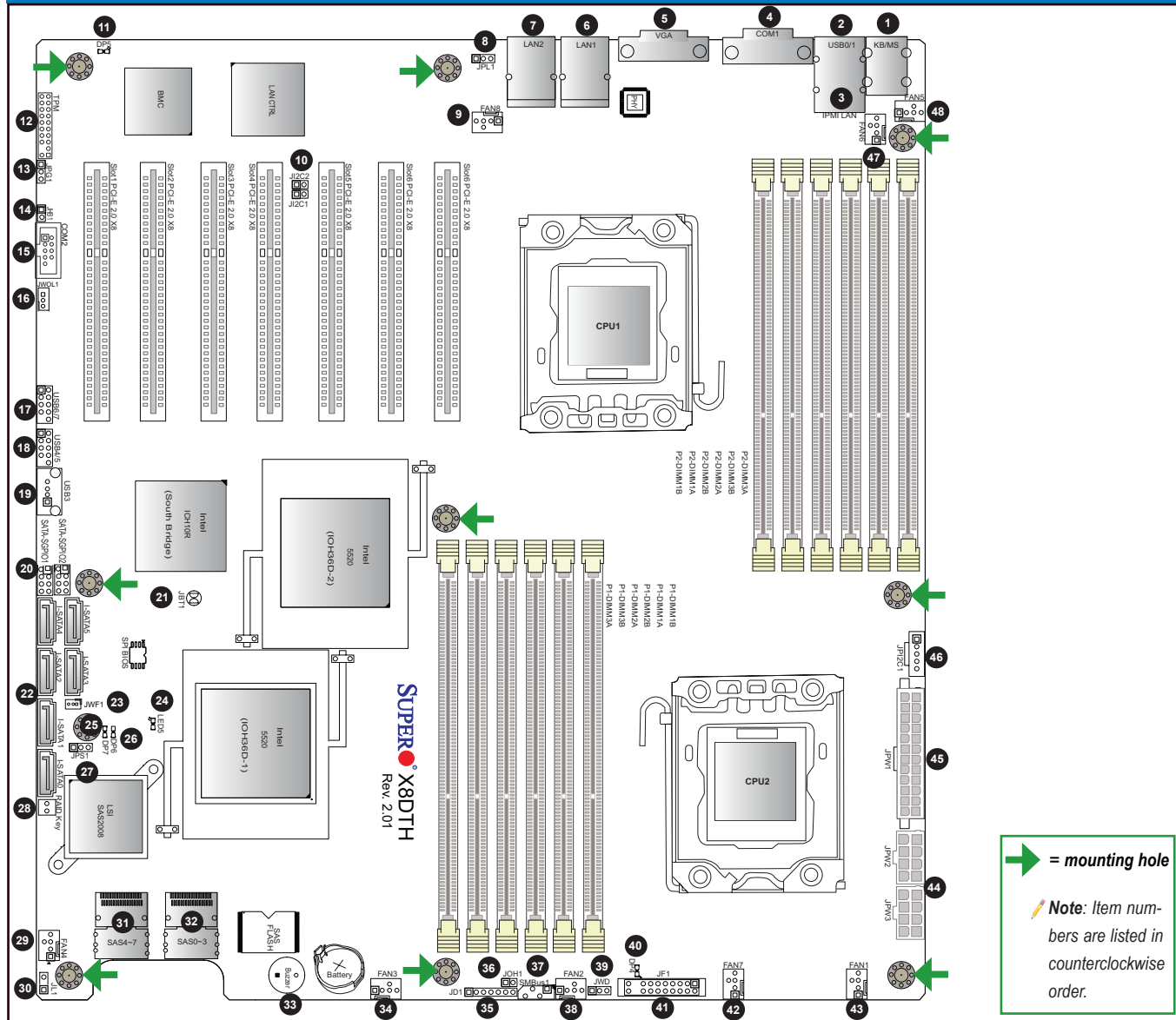
CONTACT INFORMATION

- www.supermicro.com (Email: support@supermicro.com)
- Manuals: <http://www.supermicro.com/support/manuals>
- Drivers & Utilities: <ftp://ftp.supermicro.com>
- Safety: http://www.supermicro.com/about/policies/safety_information.cfm

PACKAGE CONTENTS (Applies to single-pack only)

- One (1) Supermicro Motherboard
- One (1) USB 2.0 Cable
- One (1) COM Port Cable
- Six (6) Serial ATA Cables (X8DTH-i/iF)
- Four (4) Serial ATA Cables (X8DTH-6-6F)
- Two (2) iPass to SATA Cables (X8DTH-6-6F)
- One (1) IO Back Panel Shield

Motherboard Layout and Features



Jumpers/Connectors/LED Indicators

Jumpers

Jumper	Item #	Description	Default
JBT1	21	Clear CMOS	Open (Normal)
Ji ² C1/Ji ² C2	10	SMB to PCI/PCI-E Slots	Closed/Closed (Enabled)
JPG1	13	VGA Enable	Pins 1-2 (Enabled)
JPL1	8	LAN1/2 Enable	Pins 1-2 (Enabled)
JPS1	27	SAS2.0 Enable	Pins 1-2 (Enabled) (X8DTH-6-6F only)
JWD	39	Watch Dog	Pins 1-2 (Reset)

Connectors

Connectors	Item#	Description
Buzzer	33	Onboard Buzzer/Internal Speaker
COM1/COM2	4, 15	Serial Ports 1/2
FAN 1-4	43, 38, 34, 29	System/CPU Fan Headers
FAN 5-8	48, 47, 42, 9	System/CPU Fan Headers (Fans 7-8: CPU Fans)
IPMI LAN	3	IPMI Dedicated LAN (X8DTH-iF/6F only)
JD1	35	PWR LED/Speaker Header (Pins 1~3: PWR LED, Pins 4~7: Speaker)
JF1	41	Front Panel Connector
JHB1	14	Front Panel IPMI Heartbeat LED Connection Header
JL1	30	Chassis Intrusion Header
JOH1	36	Overheat LED Header
JP i ² C1	46	Power Supply SMBus i ² C Header
JPW1	45	24-pin ATX PWR
JPW2, JPW3	44	8-pin Secondary PWR
JWF1	23	SATA DOM (Disk-On-Module) Power Header
JWOL1	16	Wake-On-LAN Header
KB/MS	1	PS2 Keyboard/Mouse
LAN1/2,	6, 7	G-LAN (RJ45) Ports (Dedicated LAN: X8DTH-6F/iF)
I-SATA0 ~ I-SATA5	22	(Intel South Bridge) SATA Ports
RAIDKey	28	RAIDKey for RAID5 support (JIBTN1) (X8DTH-6/6F)
SAS Ports 0~3, 4~7	32, 31	SAS Ports 0~3, 4~7 (X8DTH-6/6F only)
SMBUS1	37	System Management Bus Header
SATA-SGPIO-1/2	20	Serial General Purpose I/O Headers for SATA
TPM Header	12	Trusted Platform Module Header
USB 0/1, 3, 4/5, 6/7	2, 19, 18, 17	Universal Serial Bus (USB) Ports
VGA	5	VGA Connector

LED Indicators

LED	Item#	Description	State	Status
DP4	40	Onboard Standby Power	Green	System Power On
DP5	11	BMC Activity LED	Green: On	BMC is Active
DP6	26	SAS Heartbeat LED	Green: On	SAS is Normal
DP7	25	SAS Error LED	Red: On	SAS Error Occurred
LED5	24	SAS Activity LED	Green: On	SAS is Active

Memory Support

This motherboard supports up to 192 GB of Registered (RDIMM) ECC or up to 48 GB of Unbuffered (UDIMM) ECC/Non-ECC DDR3 800/1066/1333 MHz 3-channel (per CPU) memory in 12 DIMM slots.

Note: For memory optimization, use only DIMM modules that have been validated by Supermicro. For the latest memory updates, please refer to our website at <http://www.supermicro.com/products/motherboard>.

DIMM Installation

Insert the desired number of DIMMs into the memory slots, starting with P1-DIMM1A. For memory to work properly, follow the tables below for memory population order. Refer to the motherboard layout (at left) for the location of the DIMM slots.

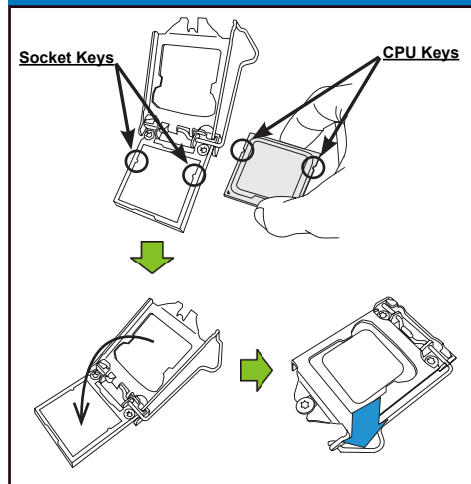
Memory Population for Optimal Performance
 (For a motherboard with one CPU [CPU1] installed)

	Branch 0			Branch 1			Branch 2		
3 DIMMs	P1 DIMM1A			P1 DIMM2A			P1 DIMM3A		
6 DIMMs	P1 DIMM1A	P1 DIMM1B		P1 DIMM2A	P1 DIMM2B		P1 DIMM3A	P1 DIMM3B	

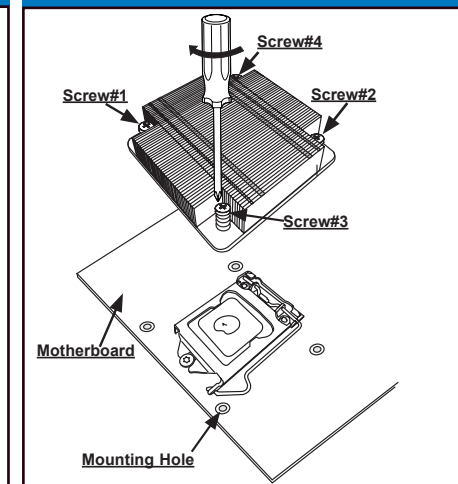
Memory Population for Optimal Performance
 (For a motherboard with two CPUs installed)

	CPU1						CPU2					
	Branch 0		Branch 1		Branch 3		Branch 0		Branch 1		Branch 3	
6 DIMMs	1A	2A	3A				1A	2A	3A			
12 DIMMs	1A	1B	2A	2B	3A	3B	1A	1B	2A	2B	3A	3B

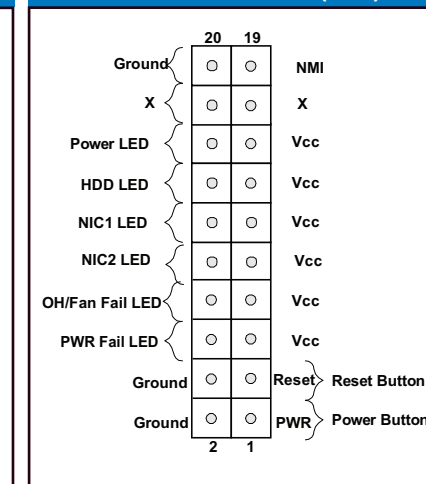
CPU Installation



Heatsink Installation



Front Panel Control (JF1)



Note: Graphics shown in this quick guide are for illustration only. Your components may or may not look exactly the same as drawings shown in this guide.

Note: Refer to Chapter 2 of the User Manual on detailed information on jumpers, connectors, and LED indicators.

Note: Refer to Chapter 2 of the User Manual for detailed information on memory support and CPU/motherboard installation instructions.