

**CONTACT INFORMATION**

- Website: [www.supermicro.com](http://www.supermicro.com)
- General Information: [marketing@supermicro.com](mailto:marketing@supermicro.com)
- Technical Support: [support@supermicro.com](mailto:support@supermicro.com)
- Phone: +1 (408) 503-8000, Fax: +1 (408) 503-8008

**FOR YOUR SYSTEM TO WORK PROPERLY, PLEASE DOWNLOAD APPROPRIATE**

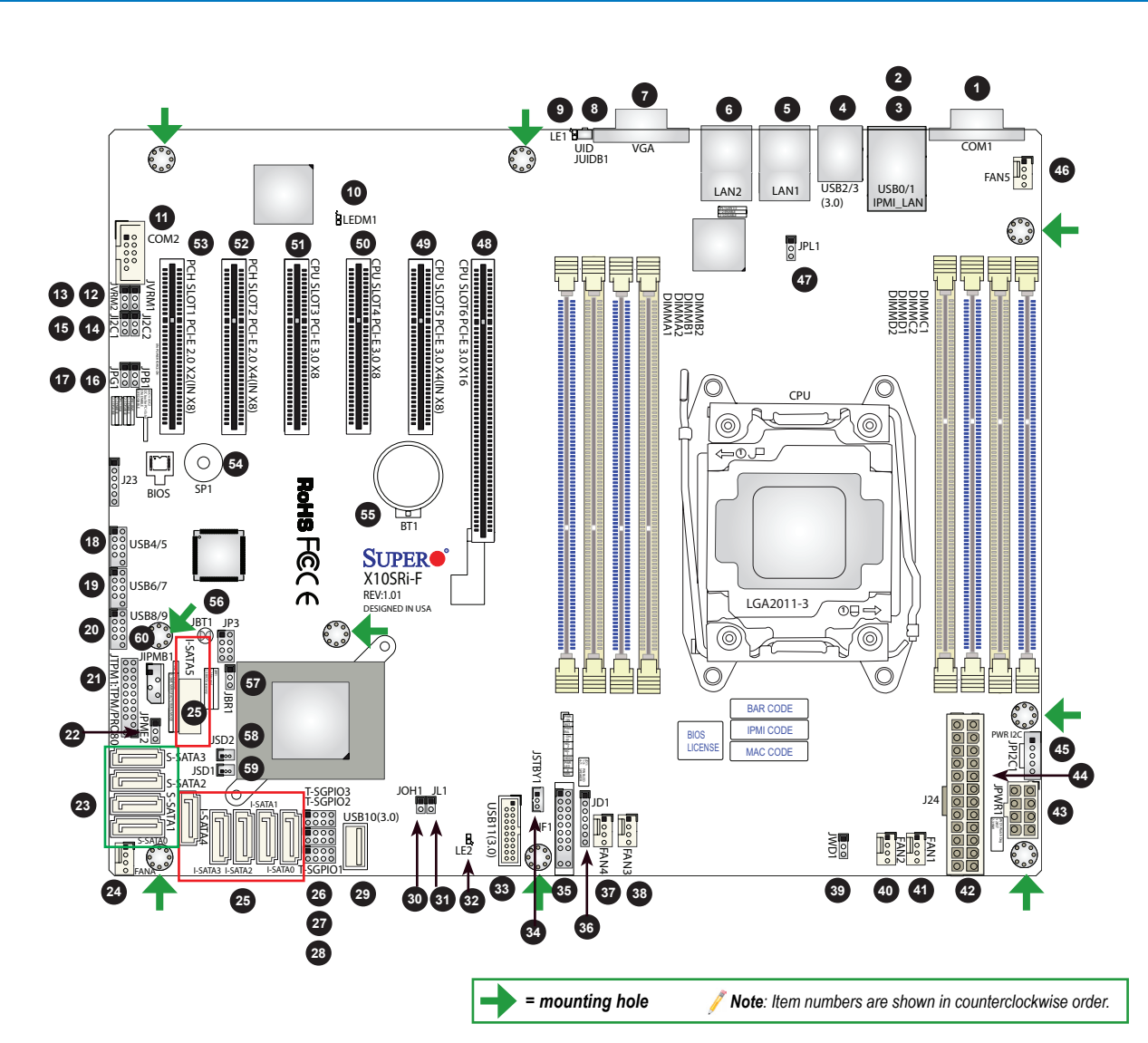
- DRIVERS/IMAGES/USER'S MANUAL FROM THE LINKS BELOW:**
- Manuals: <http://www.supermicro.com/support/manuals>
  - Drivers & Utilities: [ftp://ftp.supermicro.com/CDR\\_Images/CDR-X10-UP/](ftp://ftp.supermicro.com/CDR_Images/CDR-X10-UP/)
  - Safety: [http://www.supermicro.com/about/policies/safety\\_information.cfm](http://www.supermicro.com/about/policies/safety_information.cfm)

**PACKAGE CONTENTS**

- One (1) Supermicro Motherboard
- Six (6) SATA Cables
- One (1) I/O Shield
- One (1) Quick Reference Guide



**Motherboard Layout and Features**



**Jumpers and Connectors**

Jumpers			
Jumper	Item #	Description	Default
JBR1	57	BIOS Recovery	Pins 1-2: Normal, Pins 2-3: BIOS Recovery
JBT1	56	CMOS Clear	Short: Clear CMOS, Open: Normal
JPC1/JPC2	15, 14	SMB to PCI-E Slots	Pins 2-3: Disabled
JPB1	16	BMC Enable/Disable	Pins 1-2: Enabled
JPG1	17	VGA Enable	Pins 1-2: Enabled
JPL1	47	LAN1/LAN2 Enable	Pins 1-2: Enabled
JPME2	22	Manufacture Mode Select	Pins 1-2: Normal
JVRM1	12	VRM SMB Clock (BMC or PCH)	Pins 1-2: BMC, Normal
JVRM2	13	VRM SMB Data (BMC or PCH)	Pins 1-2: BMC, Normal
JWD1	39	Watch Dog Enable	Pins 1-2: Reset

Connectors		
Connector	Item #	Description
Battery (BT1)	55	Onboard Battery
COM1/COM2	1, 11	COM1 (Port)/COM2 (Header)
Fan1 - Fan5, FanA	41,40,38 37,46,24	System/CPU Fan Headers
JF1	35	Front Control Panel Header
JD1	36	Speaker/Buzzer (Pins 1-3: Power LED, Pins 4-7: Speaker)
JIPMB1	60	4-pin External BMC I°C Header (for IPMI Card)
JL1	31	Chassis Intrusion Header
J24	42	24-pin ATX Main Power Connector (Required)
JOH1	30	Overheat/Fan Fail LED Indicator
JPIC1	45	Power SMB (System Management Bus)
JPWR1	43	+12V 8-pin CPU power Connector (Required)
JSD1/JSD2	59, 58	SATA DOM (Device On Module) Power Connectors
JSTBY1	34	Standby Power Header
JTPM1	21	Trusted Platform Module/Port 80 Connector
JUIDB1	8	UID (Unit Identifier) Switch
JVR1	47	PWM SMB Programming (for debugging only)
LAN1/LAN2	5, 6	Gigabit (RJ45) Ports (LAN1/2)
IPMI_LAN	3	Dedicated IPMI LAN
I-SATA0~I-SATA5	23	(Intel PCH) Serial ATA (SATA 3.0) Ports 0/1 (6Gb/sec)
S-SATA0~S-SATA3	25	Serial ATA 3.0 Ports
(PCH) Slots 1/2	53, 52	PCI-Express 2.0 Slots: Slot1 x2 (in x8), Slot2 x4 (in x8)
(CPU) Slots 3/4/5/6	51,50,49,48	PCI-Express 3.0 Slots: Slot3 x8, Slot4 x8, Slot5 x4 (in x8), Slot6 x16
SP1	54	Internal Speaker/Buzzer
T-SGPIO 1/2/3	28, 27, 26	Serial Link General Purpose I/O Headers 1/2/3 for SATA Connections
USB 0/1	2	Back panel USB 2.0 Ports 0, 1
USB 2/3 (3.0)	4	Back panel USB 3.0 Ports 2, 3
USB 4/5, 6/7, 8/9	18, 19, 20	Front Panel Accessible USB 2.0 Headers 4/5, 6/7, 8/9
USB 10, USB 11	29, 33	Front Panel Accessible USB 3.0 Header 10, Type A Header 11
VGA	7	Back panel VGA Port

**CPU Support**

The X10SRi-F motherboard supports an Intel® E5-2600/1600 v3/v4 series processor in an LGA 2011 type socket.

**LED Indicators**

LED Indicators				
LED	Item #	Description	State/Color	Status
LE1	9	UID LED	Blue: On	Unit Identified
LE2	32	Onboard Power LED	Green: On	System Power On
LEDM1	10	BMC Heartbeat LED	Green: Blinking	BMC Normal

**Memory Support**

The X10SRi-F supports up to 256GB RDIMM or 512GB LRDIMM of DDR4 ECC memory at 2400 MT/s (max.) in eight memory slots. Populating these DIMM modules with a pair of memory modules of the same type and same size will result in interleaved memory, which will improve memory performance.

Populating RDIMM/LRDIMM DDR4 Memory Modules for the E5-2600v3-based Motherboard

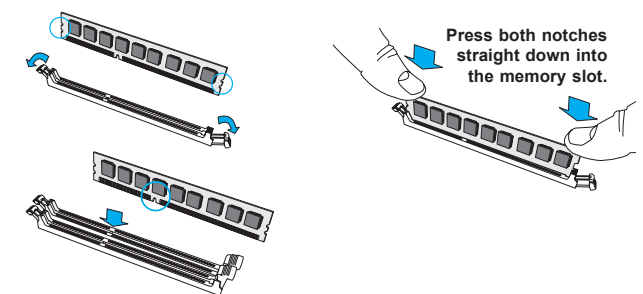
Type	Ranks Per DIMM and Data Width	DIMM Capacity (GB)	Speed (MT/s): Voltage (V): Slot Per Channel (SPC) and DIMM Per Channel (DPC)		
			1 Slot Per Channel		
			1DPC	2DPC	2DPC
RDIMM	SRx4	4Gb	1.2V	1.2V	1.2V
RDIMM	SRx8	8Gb	1.2V	1.2V	1.2V
RDIMM	SRx8	16Gb	2133	2133	1866
RDIMM	SRx8	32Gb	2133	2133	1866
RDIMM	SRx8	64Gb	2133	2133	1866
LRDIMM	QRx4	32Gb	2133	2133	2133
LRDIMM	QRx4	64Gb	2133	2133	2133
LRDIMM	QRx4	128Gb	2133	2133	2133

Populating RDIMM/LRDIMM DDR4 Memory Modules for the E5-2600v4-based Motherboard

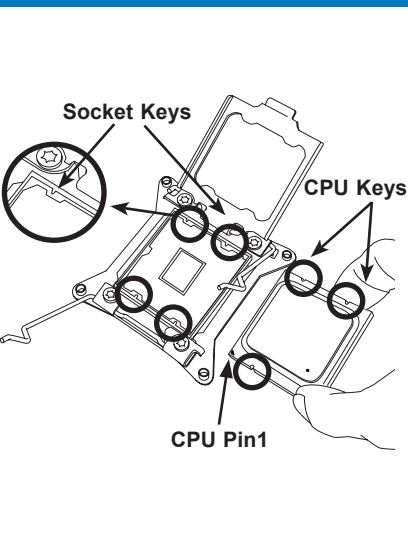
Type	Ranks Per DIMM and Data Width	DIMM Capacity (GB)	Speed (MT/s): Voltage (V): Slot Per Channel (SPC) and DIMM Per Channel (DPC)		
			1 Slot Per Channel		
			1DPC	1DPC	2DPC
RDIMM	SRx4	8Gb	1.2V	1.2V	1.2V
RDIMM	SRx8	16Gb	2400	2400	2133
RDIMM	SRx8	32Gb	2400	2400	2133
RDIMM	SRx8	64Gb	2400	2400	2133
LRDIMM	QRx4	32Gb	2400	2400	2400
LRDIMM	QRx4	64Gb	2400	2400	2400
LRDIMM	QRx4	128Gb	2400	2400	2400

**DIMM Memory Installation**

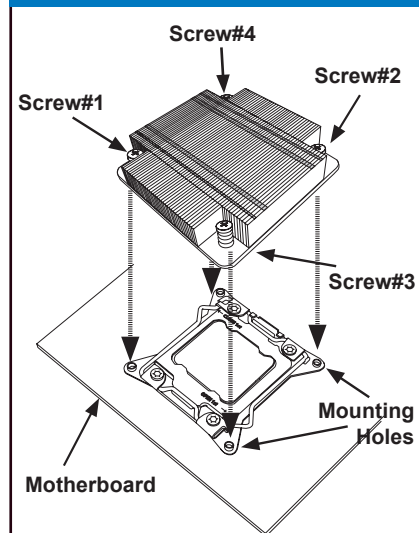
Insert the desired number of DIMMs into the memory slots, starting with DIMMA1 (Channel A, Slot 1).



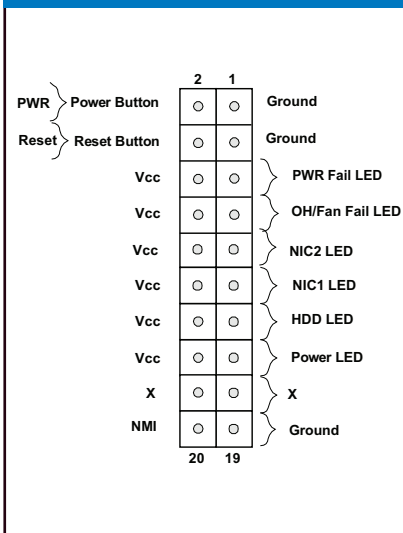
**CPU Installation**



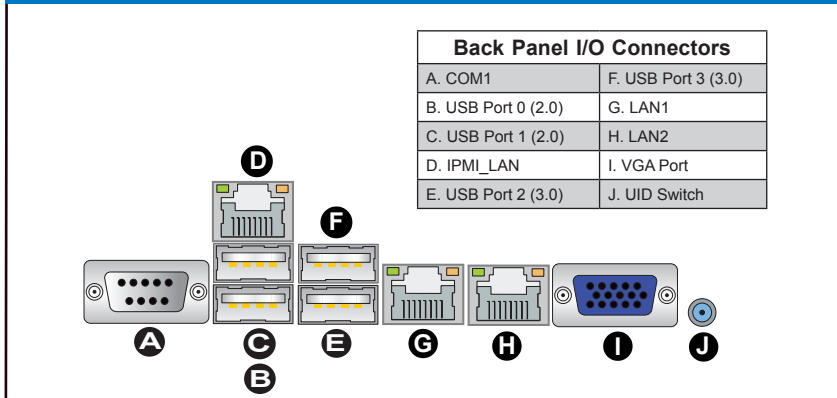
**Heatsink Installation**



**Front Control Panel (JF1)**



**Back Panel I/O Connectors**



Note: Graphics shown in this quick reference guide are for illustration only. Your components may or may not look exactly the same as drawings shown in this guide.

Note: Refer to Chapter 1 of the User Manual for detailed information on jumpers, connectors, and LED indicators.

Note: Refer to Chapter 2 of the User Manual for detailed information on memory support and CPU/motherboard installation instructions.