

CONTACT INFORMATION

- Website: www.supermicro.com
- General Information: marketing@supermicro.com
- Technical Support: support@supermicro.com
- Phone: +1 (408) 503-8000, Fax: +1 (408) 503-8008

FOR YOUR SYSTEM TO WORK PROPERLY, PLEASE DOWNLOAD APPROPRIATE

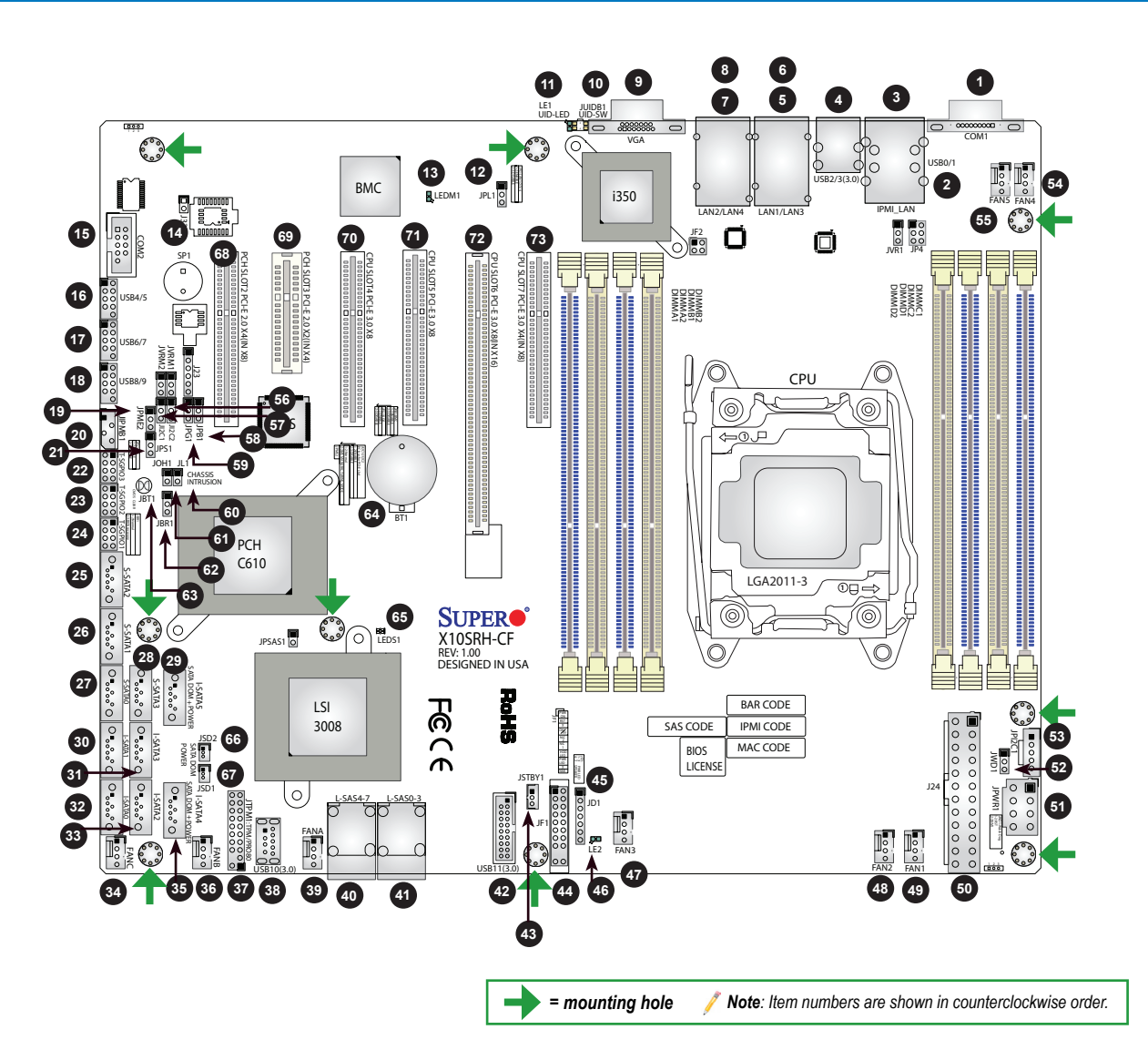
- DRIVERS/IMAGES/USER'S MANUAL FROM THE LINKS BELOW:**
- Manuals: <http://www.supermicro.com/support/manuals>
 - Drivers & Utilities: ftp://ftp.supermicro.com/CDR_Images/CDR-X10-UP/
 - Safety: http://www.supermicro.com/about/policies/safety_information.cfm

PACKAGE CONTENTS

- One (1) Supermicro Motherboard
- Six (6) SATA Cables
- One (1) I/O Shield
- One (1) Quick Reference Guide



Motherboard Layout and Features



Jumpers and Connectors

Jumpers			
Jumper	Item #	Description	Default
JBR1	62	BIOS Recovery	Pins 1-2 (Normal)
JBT1	63	CMOS Clear	Short: Clear CMOS, Open: Normal Operation
J1P2C1/J1P2C2	57, 56	SMB to PCI-E Slots	Pins 2-3 (Disabled)
JPB1	58	BMC Enable/Disable	Pins 1-2 (Enabled)
JPG1	59	VGA Enable	Pins 1-2 (Enabled)
JPL1	12	LAN1/2/3/4 Enable	Pins 1-2 (Enabled)
JPME2	19	Manufacture Mode Select	Pins 1-2 (Normal)
JPS1	21	SAS Enable	Pins 1-2 (Enabled)
JWD1	52	Watch Dog Enable	Pins 1-2 (Reset)

Connectors		
Connector	Item #	Description
BT1	64	Onboard Battery
COM1/COM2	1, 15	COM1 (Port)/COM2 (Header)
Fan1 - Fan5	49,48,47,54,55	System/CPU Fan Headers
FanA - FanC	39,36,34	System/CPU Fan Headers
J24	50	24-pin ATX Main Power Connector (Required)
JD1	45	Speaker/Buzzer (Pins 1-3: Power LED, Pins 4-7: Speaker)
JF1	44	Front Control Panel Header
JIPMB1	20	System Management Bus Header for the IPMI Slot
JL1	60	Chassis Intrusion Header
JOH1	61	Overheat LED/Fan Fail
J1P2C1	53	Power SMB (System Management Bus)
JPWR1	51	+12V 8-pin CPU power Connector (Required)
JSD1/JSD2	67, 66	SATA DOM (Device On Module) Power Connector
JSTBY1	43	Standby Power Header
JTPM1	37	Trusted Platform Module/Port 80 Connector
JUIDB1	10	UID (Unit Identifier) Switch
LAN1	5	Gigabit (RJ45) LAN Port
LAN2/LAN3/LAN4	7, 6, 8	Gigabit (RJ45) Ports (LAN2/3/4)
IPMI_LAN	3	Dedicated IPMI LAN
I-SATA0 - I-SATA3	32, 30, 33, 31	SATA 3.0 Ports
I-SATA4 - I-SATA5	35, 29	SATA DOM (Device On Module) Ports
S-SATA0 - S-SATA3	27, 26, 25, 28	SATA 3.0 Ports
L-SAS 0-3, 4-7	41, 40	SAS Connectors 0-7 (supported by the LSI 3008 SAS controller)
(PCH) Slot 2/3	68, 69	PCI-Express 2.0 (one x2 in x4 slot, one x4 in x8 slot)
(CPU) Slot 4/5/6/7	70, 71, 72, 73	PCI-Express 3.0 (one x4 slot, two x8 slots, one x8 in x16 slot)
SP1	14	Internal Speaker/Buzzer
T-SGPIO 1/2/3	24, 23, 22	Serial Link General Purpose I/O Headers 1/2 for SATA Connections
USB 0/1	2	Back panel USB 2.0 Ports
USB 2/3, 10, 11	4, 38, 42	Back panel USB 3.0 and Front Panel Accessible USB 3.0 Header (USB 10: Type A Connector)
USB 4/5, 6/7, 8/9	16, 17, 18	Front Panel Accessible USB 2.0 Headers
VGA	9	Back panel VGA Port

LED Indicators

LED Indicators				
LED	Item #	Description	State/Color	Status
LE1	11	UID LED	Solid Blue	Unit Identified
LE2	46	Power LED	On	Power On
LEDM1	13	BMC Heartbeat LED	Blinking Green	BMC Normal
LEDS1	65	SAS LED	Blinking Green	SAS Active
			Solid On	SAS Error

Memory Support

The X10SRH-CF/CLN4F supports up to 256GB RDIMM or 512GB LRDIMM at up to 2400 MT/s in eight (8) DIMM slots. Populating these DIMM modules with a pair of memory modules of the same type and same size will result in interleaved memory, which will improve memory performance.

Populating RDIMM/LRDIMM DDR4 Memory Modules for the E5-2600v3-based Motherboard

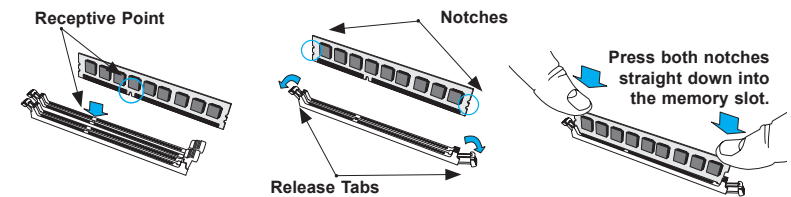
Populating RDIMM/LRDIMM DDR4 Memory Modules for the E5-2600v4-based Motherboard

Type	Ranks Per DIMM and Data Width	DIMM Capacity (GB)		Speed (MT/s), Voltage (V), Slot Per Channel (SPC) and DIMM Per Channel (DPC)		
		4Gb	8Gb	1 Slot Per Channel	2 Slots Per Channel	
		1DPC	1DPC	2DPC	1DPC	2DPC
RDIMM	SRx4	8GB	16GB	2133	2133	1866
RDIMM	SRx8	4GB	8GB	2133	2133	1866
RDIMM	DRx8	8GB	16GB	2133	2133	1866
RDIMM	DRx4	16GB	32GB	2133	2133	1866
LRDIMM	QRx4	32GB	64GB	2133	2133	2133
LRDIMM 3DS ¹	BRx4	64GB	128GB	2133	2133	2133

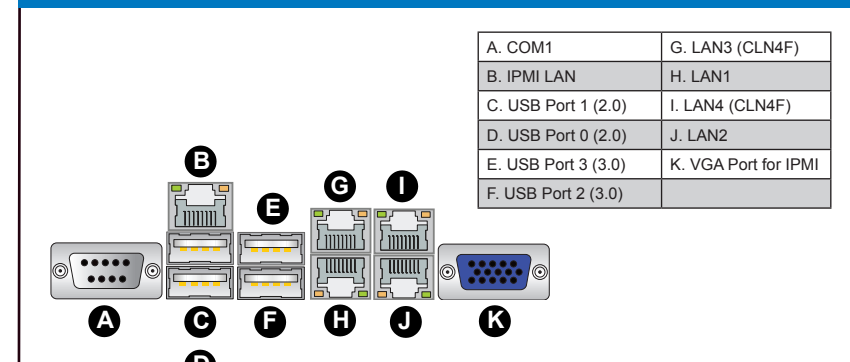
Type	Ranks Per DIMM and Data Width	DIMM Capacity (GB)		Speed (MT/s), Voltage (V), Slot Per Channel (SPC) and DIMM Per Channel (DPC)		
		4Gb	8Gb	1 Slot Per Channel	2 Slots Per Channel	
		1DPC	1DPC	2DPC	1DPC	2DPC
RDIMM	SRx4	8GB	16GB	2400	2400	2133
RDIMM	SRx8	4GB	8GB	2400	2400	2133
RDIMM	DRx8	8GB	16GB	2400	2400	2133
RDIMM	DRx4	16GB	32GB	2400	2400	2133
LRDIMM	QRx4	32GB	64GB	2400	2400	2400
LRDIMM 3DS ¹	BRx4	64GB	128GB	2400	2400	2400

DIMM Memory Installation

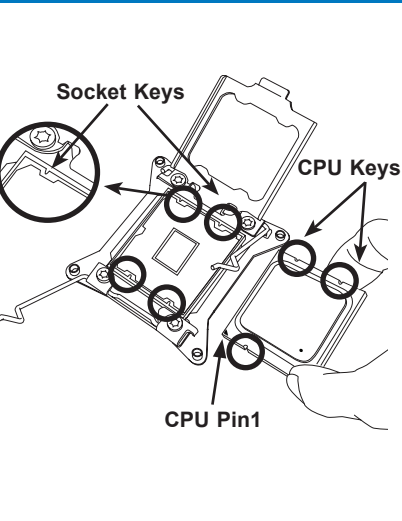
Insert the desired number of DIMMs into the memory slots, starting with DIMMA1 (Channel A, Slot 1).



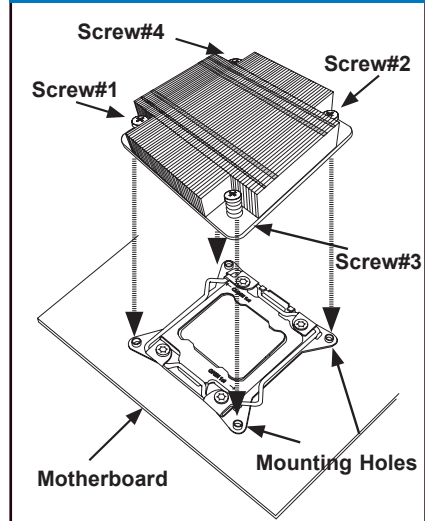
Back Panel I/O Connectors



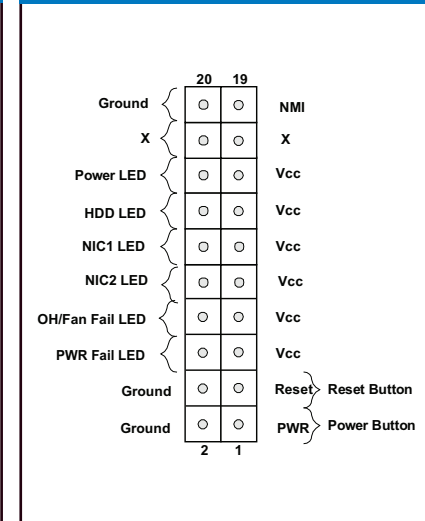
CPU Installation



Heatsink Installation



Front Control Panel (JF1)



Note: Graphics shown in this quick reference guide are for illustration only. Your components may or may not look exactly the same as drawings shown in this guide.

Note: Refer to Chapter 1 of the User Manual for detailed information on jumpers, connectors, and LED indicators.

Note: Refer to Chapter 2 of the User Manual for detailed information on memory support and CPU/motherboard installation instructions.