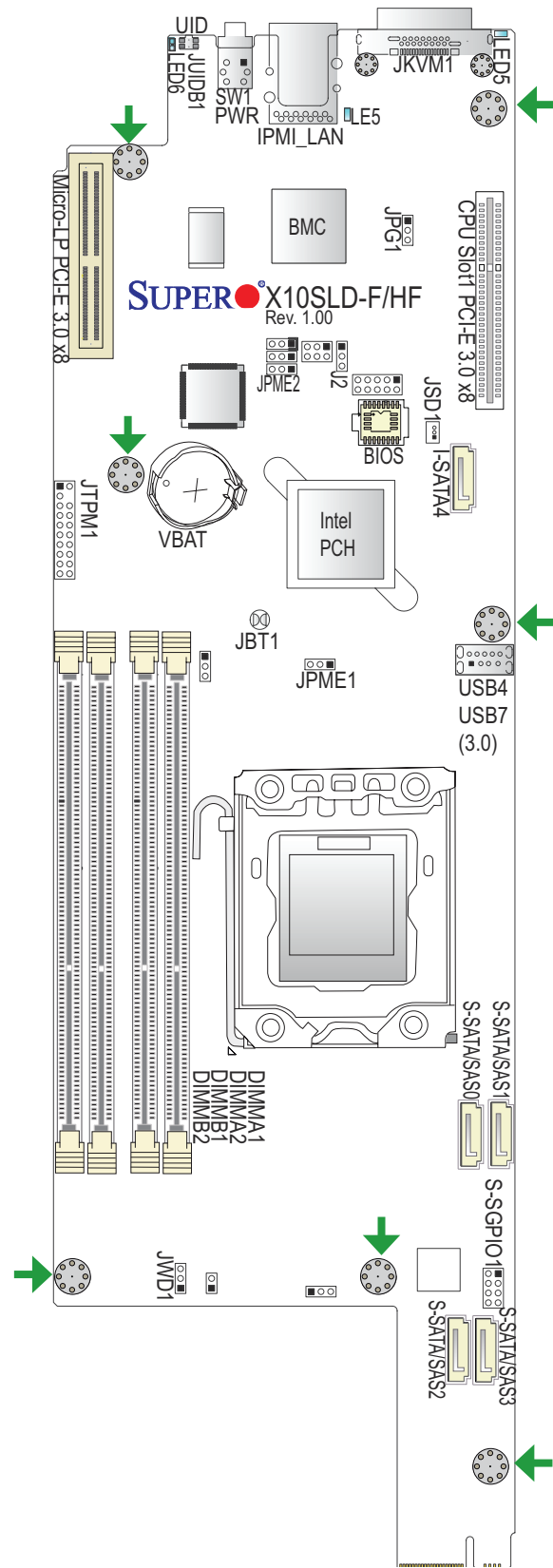


**Motherboard Layout and Features**



- Tools Needed:**
- Screwdriver
  - Phillips screws (7)
- = mounting hole

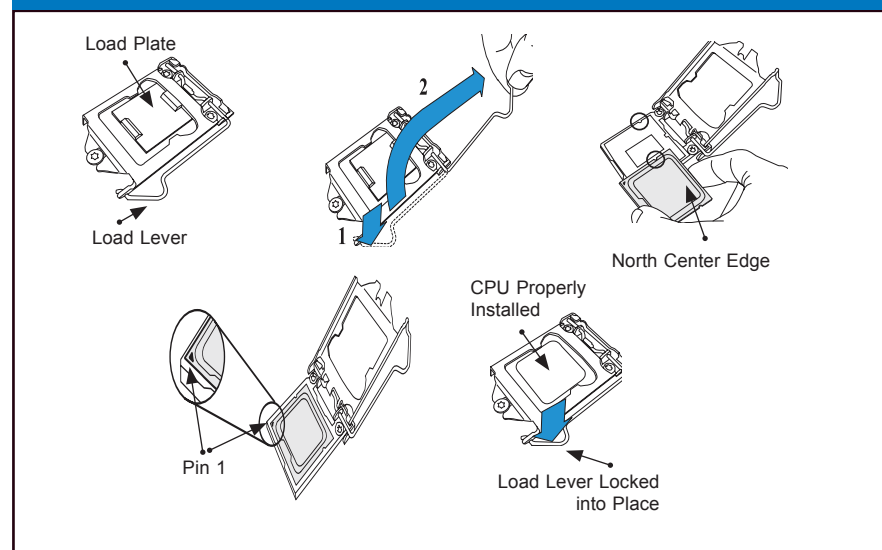
**Jumpers, Connectors and LED Indicators**

| Jumpers |                         |                    |
|---------|-------------------------|--------------------|
| Jumper  | Description             | Default            |
| JBT1    | CMOS Clear              | (See Chpt. 2)      |
| JPG1    | VGA Enable              | Pins 1-2 (Enabled) |
| JPME1   | ME Recovery             | Pins 1-2 (Normal)  |
| JPME2   | Manufacture Mode Select | Pins 1-2 (Normal)  |
| JWD1    | Watch Dog Timer Enable  | Pins 1-2 (RST)     |

| Connectors             |   |
|------------------------|---|
| Connector              | Description   |
| Battery (VBAT)         | Onboard Battery   |
| IPMI_LAN               | IPMI_Dedicated LAN  |
| JKVM1                  | USB 2.0 (x2)/VGA (Monitor)/COM Connector for Remote Console Redirection or Remote Network Interface   |
| JSD1                   | SATA DOM (Device_On_Module) Power Connector   |
| JTPM1                  | Trusted Platform Module/Port 80 Connector   |
| Micro-LP PCI-E Slot    | SMC-Proprietary Micro Low-Profile (LP) PCI-Express 3.0 x8 Slot  |
| (CPU) Slot1 PCI-E Slot | PCI-Express 3.0 x8 Slot 1 supported by the CPU  |
| I-SATA4                | (Intel PCH) Serial_Link SATA Port4<br>(Internal SATA2 Connector for SATA DOM on X10SLD-F)<br>(Internal SATA3 Connector for SATA DOM on X10SLD-HF) |
| (S-)SATA/SAS0-3        | Serial_Link SATA/SAS Ports 0-3 (SATA3/SAS2 is only for add-on cards)  |
| S-SGPIO1               | Serial Link General Purpose Input/Output Header 1   |
| SW1                    | Power Switch/LED Indicator  |
| UID                    | Unit Identifier (UID) Button (JUIDB1)   |
| USB4, USB7             | Internal Type A USB 3.0   |
| USB0 (3.0)             | Internal Type A USB 3.0 Port 0  |

| LED Indicators |                              |                 |                                     |
|----------------|------------------------------|-----------------|-------------------------------------|
| LED            | Description                  | Color/State     | Status                              |
| LE5            | BMC Heartbeat LED            | Green: Blinking | BMC Functions Normally              |
| LED5           | Power Fail/Fan Fail/Overheat | Red: On         | Power Fail, Fan Fail or Overheating |
| LED6           | UID LED                      | Blue: On        | Unit Identified                     |

**CPU Installation**



**Note:** Refer to Chapter 2 of the User Manual for detailed information on memory support and CPU/motherboard installation instructions.

**Memory Support**

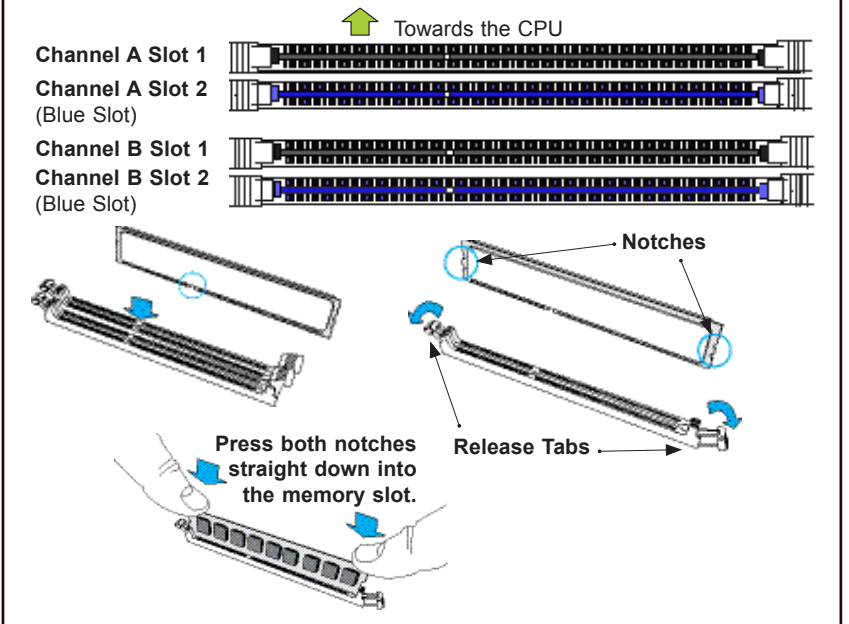
The X10SLD-F/HF supports up to 32GB of DDR3 Unbuffered (UDIMM) ECC 1600/1333/1066 MHz in four memory slots.

**DIMM Memory Installation**  
**Memory Population Guidelines**

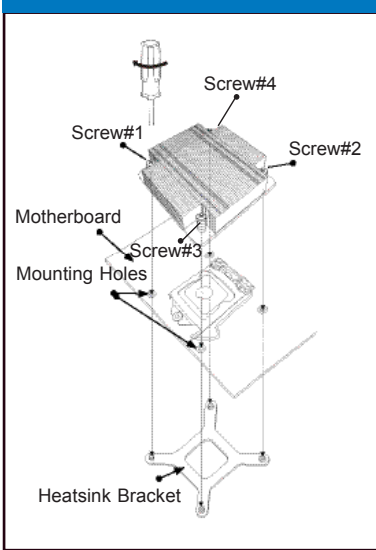
Please follow the table below when populating the X10SLD-F/HF.

| DDR3 Unbuffered ECC (UDIMM) Memory |                             |                 |            |                                  |
|------------------------------------|-----------------------------|-----------------|------------|----------------------------------|
| DIMM Slots per Channel             | DIMMs Populated per Channel | DIMM Type       | POR Speeds | Ranks per DIMM (any combination) |
| 2                                  | 1                           | Unbuffered DDR3 | 1333, 1600 | Single Rank, Dual Rank           |
| 2                                  | 2                           | Unbuffered DDR3 | 1333, 1600 | Single Rank, Dual Rank           |

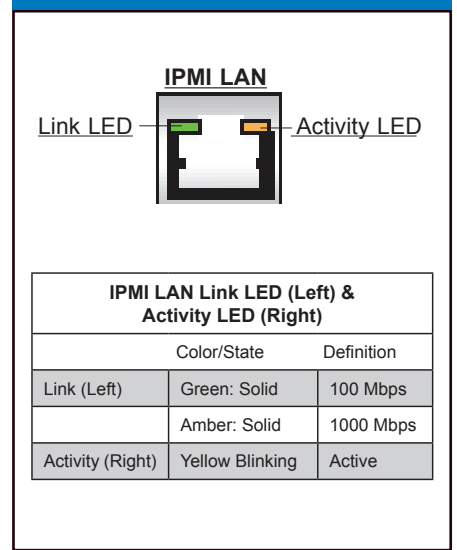
Insert the desired number of DIMMs into the memory slots, starting with DIMMA2 (Channel A, Slot 2). For the system to work properly, please use the memory modules of the same type and speed in the same motherboard.



**Heatsink Installation**



**IPMI LAN Port LED**



**Note:** Refer to Chapter 1 of the User Manual for detailed information on jumpers, connectors, and LED indicators.

**Note:** Graphics shown in this quick reference guide are for illustration only. Your components may or may not look exactly the same as drawings shown in this guide.