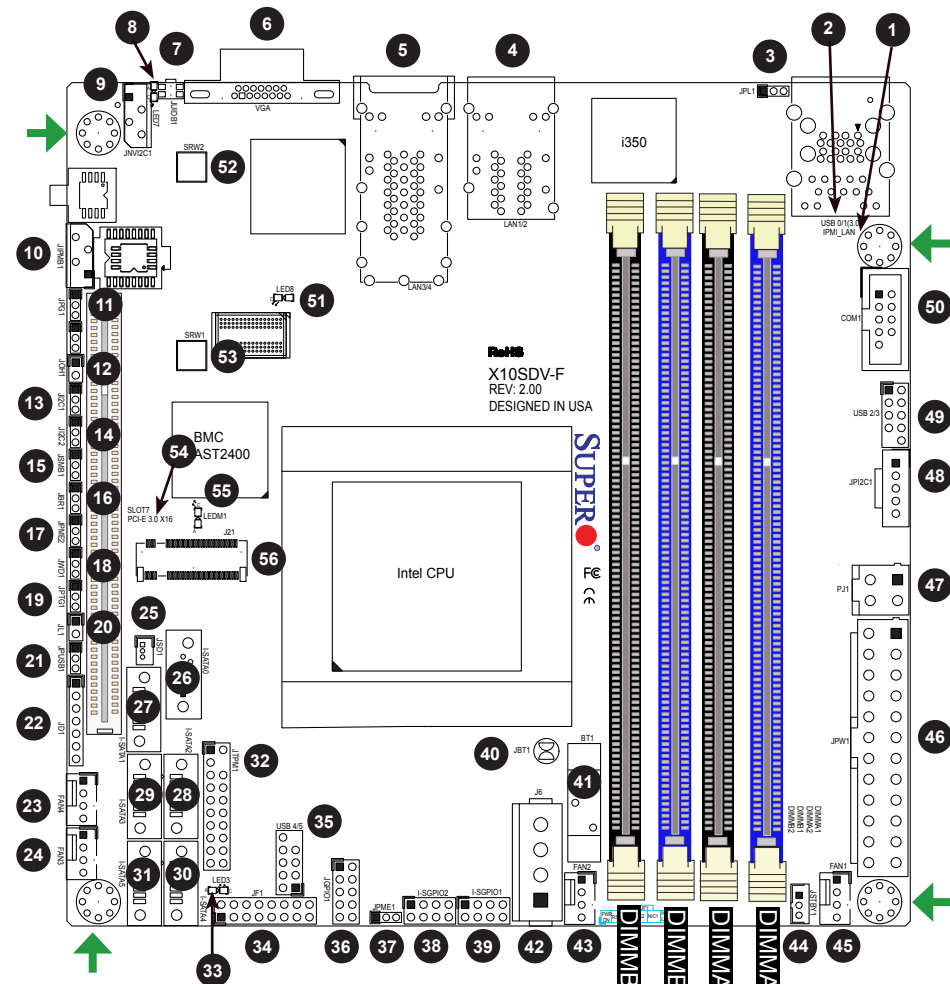




**Motherboard Layout and Features**



→ = mounting hole / Note: Item numbers are shown in counterclockwise order

**Jumpers and Connectors**

Jumpers			
Item #	Jumper	Description	Default
16	JBR1	BIOS Recovery	Pins 1-2 (Normal)
40	JBT1	CMOS Clear	Open: Normal, Short: Clear CMOS
13, 14	JPC1/JPC2	SMB to PCI-E Slots	Pins 2-3 (Disabled)
11	JPG1	VGA Enable	Pins 1-2 (Enabled)
3	JPL1	LAN1/LAN2 Enable	Pins 1-2 (Enabled) (Not available on TLN2F)
37	JPME1	ME Recovery	Pins 1-2 (Normal)
17	JPME2	Manufacturing Mode	Pins 1-2 (Normal)
19	JPTG1	10Gb Ethernet Enable	Pins 1-2 (Enabled) (-TLN2F/TLN4F Only)
21	JPSB1	USB Wakeup	Pins 1-2 (Enabled) (For USB0/1 Only)
18	JWD1	Watch Dog Enable	Pins 1-2 (Reset)

Connectors		
Item #	Connector	Description
41	BT1	Onboard Battery
50	COM1	COM1 Header
45,43,24,23	FAN1 ~ FAN4	CPU/System Cooling Fans (FAN4 is on PCBA 2.0 Only)
1	IPMI LAN	Dedicated IPMI LAN Port
26 ~ 31	I-SATA0 ~ I-SATA5	Intel® Serial ATA Ports (I-SATA0 supports SuperDOM)
39,38	I-SGPIO1, I-SGPIO2	Serial Link General Purpose I/O Headers
36	JGPIO1	General Purpose I/O Expander Header
42	J6	4-pin Power Connector for HDD use (To provide power from the motherboard to onboard HDD devices.)
56	J21	M.2 PCI-E 3.0 x4 / SATA Slot (shared with I-SATA0)
22	JD1	Speaker/Buzzer (Pins 1-3: Power LED, Pins 4-7: Speaker)
34	JF1	Front Panel Control Header
10	JIPMB1	4-pin External SMBus I²C Header (for IPMI only)
20	JL1	Chassis Intrusion Header
9	JNVI²C1	NVMe I²C Header
12	JOH1	Overheat LED Header
48	JPI²C1	Power Supply SMBus I²C Header (On PCBA 2.0 Only)
46	JPW1	24-pin ATX Main Power connector
25	JSD1	SATA DOM Power Connector
15	JSMB1	SMBus Header
44	JSTBY1	Standby Power Header
32	JTPM1	Trusted Platform Module (TPM)/Port 80 Connector
7	JUIDB1	Unit Identifier (UID) Button
4	LAN1, LAN2	Gigabit Ethernet (RJ45) Ports (F/TLN2F/TLN4F Only)
5	LAN3, LAN4	10G Ethernet (RJ45) Ports (TLN2F/TLN4F Only)
47	PJ1	4-pin 12V DC Power Connector (To provide alternative power for special enclosure when the 24-pin ATX power is not in use.)
54	SLOT7	PCI-E 3.0 x16 Slot
53,52	SRW1, SRW2	M.2 Holding Screws
2	USB0/1	Back panel USB 3.0 Ports
49, 35	USB2/3, USB4/5	Front Accessible USB 2.0 Headers
6	VGA	Back panel VGA Port

**LED Indicators**

LED Indicators				
Item #	LED	Description	Color/State	Status
55	LEDM1	BMC Heartbeat LED	Green: Blinking	BMC: Normal
33	LED3	Power LED	Green: On	System Power On
8	LED7	UID Switch LED	Blue: On	Unit Identified
51	LED8	Overheat/PWR Fail/Fan Fail LED	Red: Solid on/ Blinking	Solid On: Overheat, Blinking: PWR Fail or Fan Fail

**Memory Support**

The X10SDV Mini-ITX series motherboard supports up to 128GB of DDR4 ECC RDIMM or 64GB of DDR4 ECC/Non-ECC UDIMM in four memory slots.  
**Note:** Check the Supermicro website for recommended memory modules.

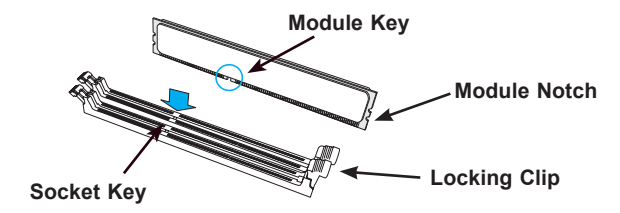
**DIMM Memory Installation**

When installing memory modules, the DIMM slots should be populated in the following order: DIMMA1, DIMMB1, then DIMMA2, DIMMB2.

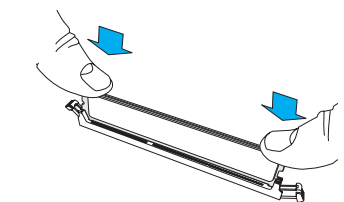
- Always use DDR4 DIMM modules of the same size, type and speed. Mixing memory modules of different types and speeds is not allowed.
- The motherboard will support one DIMM module installed. However, for best memory performance, install DIMM modules in pairs.

**Installing DIMM Memory Modules**

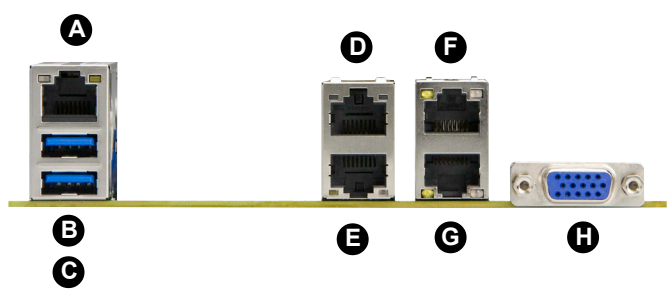
- Align the key on the bottom of the DIMM module against the key on the memory slot. Take note of the notches on the side of the DIMM module, and of the locking clips on the socket to avoid causing damage.



- Install the DIMM module straight down into the socket until it is securely seated in the socket. The side clips will automatically lock the module into place.

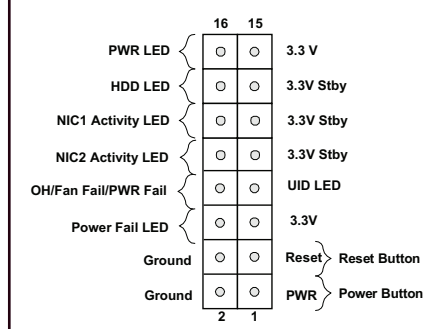


**Back Panel I/O Connectors**



Back Panel I/O	
A. IPMI LAN	E. LAN Port 1 (Not available on TLN2F)
B. USB Port 1	F. LAN Port 4 (TLN4F/TLN2F Only)
C. USB Port 0	G. LAN Port 3 (TLN4F/TLN2F Only)
D. LAN Port 2 (Not available on TLN2F)	H. VGA Port

**Front Panel Control (JF1)**



**Note:** Graphics shown in this quick reference guide are for illustration only. Your components may or may not look exactly the same as drawings shown in this guide.

**Note:** Refer to Chapter 1 of the User Manual for detailed information on jumpers, connectors, and LED indicators.

**Note:** Refer to Chapter 2 of the User Manual for detailed information on memory support and CPU/motherboard installation instructions.