

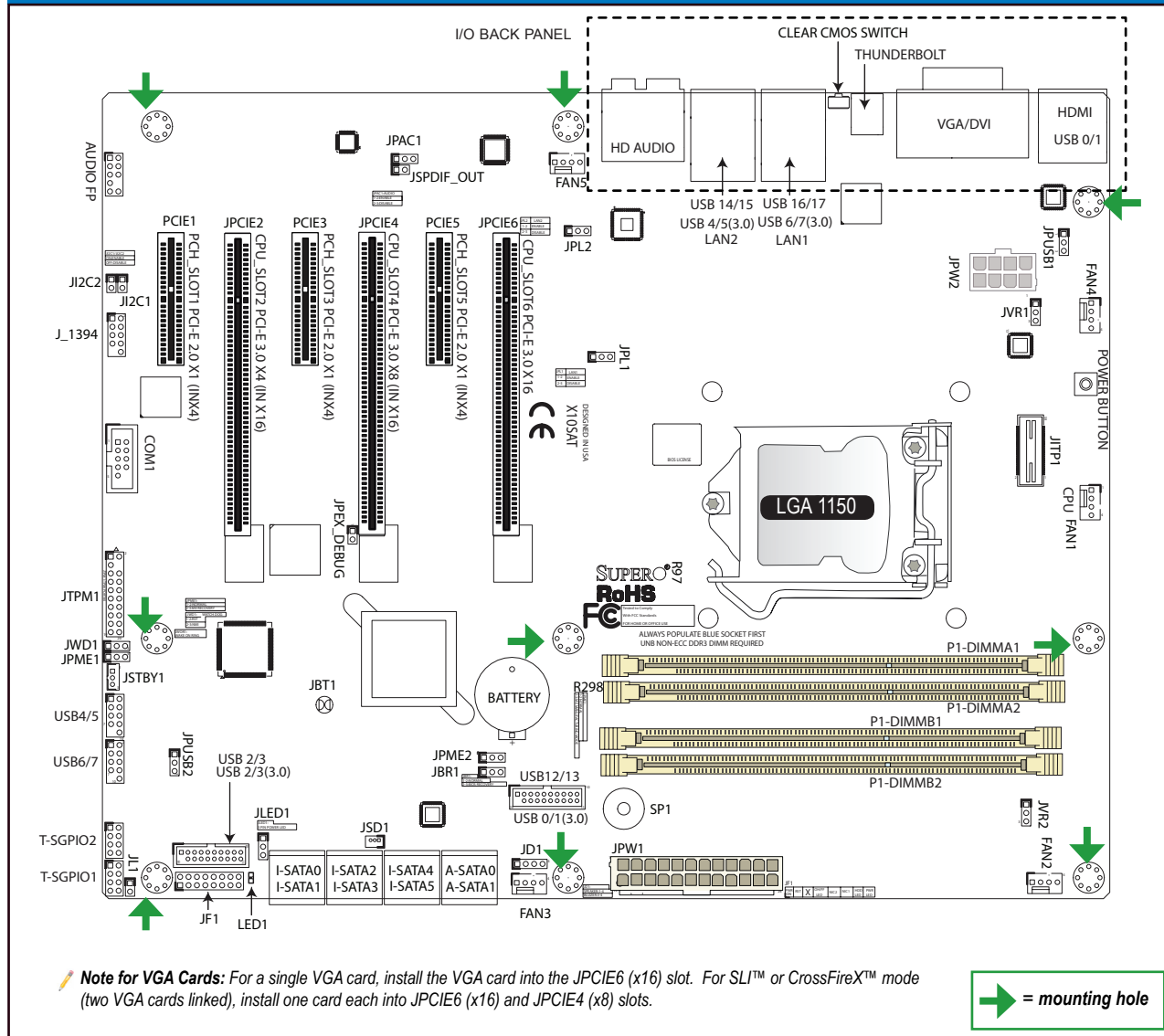
CONTACT INFORMATION

- www.supermicro.com (Email: support@supermicro.com)
- Manuals: http://www.supermicro.com/support/manuals
- Drivers & Utilities: ftp://ftp.supermicro.com
- Safety: http://www.supermicro.com/about/policies/safety_information.cfm

PACKAGE CONTENTS (Applies to individual-pack only)

- One (1) Supermicro Motherboard
- Six (6) SATA Cables
- One (1) Quick Reference Guide
- One (1) Driver CD

Motherboard Layout and Features



Jumpers, Connectors and LED Indicators

Jumpers		
Jumper	Description	Default
JBT1	Clear CMOS (on board)	(See Chpt. 2)
JPC1/JPC2	SMB to PCI Slots	Off (Disabled)
JPAC1	Audio Enable	Pins 1-2 (Enabled)
JPL1/JPL2	LAN1/LAN2 Enable	Pins 1-2 (Enabled)
JPME2	Intel Manufacturing Mode	Pins 2-3 (Disabled)
JPME1	Intel Recovery Mode	Pins 2-3 (Disabled)
JWD1	Watch Dog Enable	Pins 2-3 (NMI)
JBR1	BIOS Recovery Mode	Pins 2-3 (Disabled)
JPUSB1	USB Wake Up Enable (Back Panel)	Pins 1-2 (Enabled)
JPUSB2	USB Wake Up Enable (USB Headers)	Pins 1-2 (Enabled)

Connectors	
Connector	Description
I/O Back Panel	See Back Panel I/O Connectors, below right
Audio FP	Front Panel Audio Header
Battery	Onboard Battery
COM1	COM1 Port Header
Fan 1,2,3,4,5	System/CPU Fan Headers (Fan1: CPU Fan)
JD1	Speaker/buzzer (Pins 1-2: Buzzer, Pins 1~4: External Speaker)
JF1	Front Panel Control Header
JL1	Chassis Intrusion Header
JLED1	Power LED Indicator Header
JPW1	24-pin ATX Main Power Connector (Required)
JPW2	+12V 4-pin CPU power Connector (Required)
JSD1	SATA DOM (Disk On Module) Power Connector
JSPDIF_OUT	Sony/Philips Digital Interface (S/PDIF) Out Header
JSTBY1	Standby Power Header
JTPM1	Trusted Platform Module/Port 80 Connector
SP1	Internal Speaker/Buzzer
A-SATA0/1	(ASMedia) Serial ATA (SATA 3.0) Port 0/1 (6Gb/sec)
I-SATA0~5	(Intel C226) Serial ATA (SATA 3.0) Ports 0~5 (6Gb/sec)
USB 0/1	Front Panel Accessible USB 3.0 Ports 0/1 (USB 2.0 12/13)
USB 2/3	Front Panel Accessible USB 3.0 Ports 2/3 (USB 2.0 2/3)
USB 4/5, 6/7	Front Panel Accessible USB 2.0 Headers 4/5,6/7
POWERBUTTON	Internal Power Button
J_1394	1394 (Firewire®) Header
T-SGPIO1 / 2	Serial Link General Purpose Header

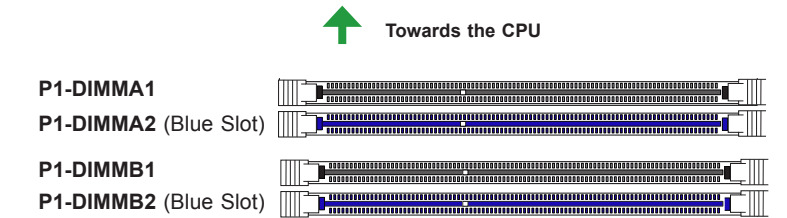
LED Indicators			
LED	Description	Color/State	Status
LED1	Onboard Standby PWR LED	Green: Solid on	Power On

Memory Support

The X10SAT supports up to 32GB of Unbuffered (UDIMM) DDR3 ECC/non-ECC 1600/1333/1066 MHz in 4 memory slots. Populating these DIMM modules with a pair of memory modules of the same type and same size will result in interleaved memory, which will improve memory performance.

Note: For memory optimization, use only DIMM modules that have been validated by Supermicro. For the latest memory updates, please refer to our website at <http://www.supermicro.com/products/motherboard>.

DIMM Memory Installation



Memory Population Guidelines

When installing memory modules, the DIMM slots should be populated in the following order: DIMMA2, DIMMB2, then DIMMA1, DIMMB1.

- Always use DDR3 DIMM modules of the same size, type and speed.
- Mixed DIMM speeds can be installed. However, all DIMMs will run at the speed of the slowest DIMM.

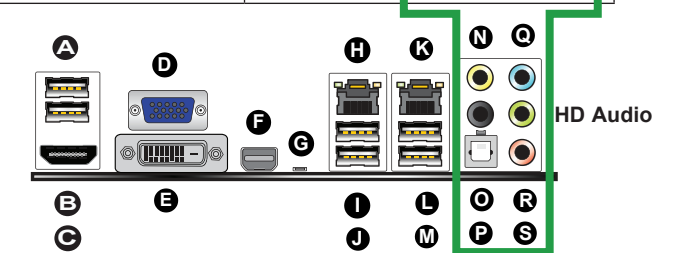
Recommended Population (Balanced)

P1-DIMMA2	P1-DIMMB2	P1-DIMMA1	P1-DIMMB1	Total System Memory
2GB	2GB			4GB
2GB	2GB	2GB	2GB	8GB
4GB	4GB			8GB
4GB	4GB	4GB	4GB	16GB
8GB	8GB			16GB
8GB	8GB	8GB	8GB	32GB

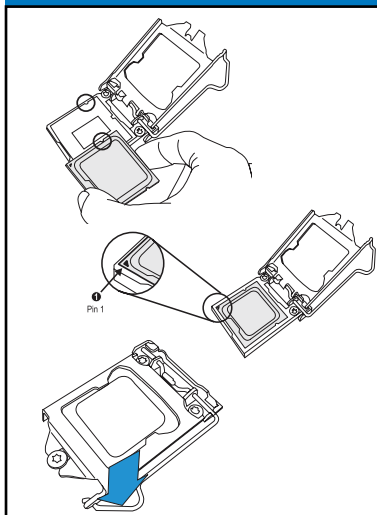
Note: Up to 32GB of memory are supported. See chapter 2 of the User Manual for complete memory population information.

Back Panel I/O Connectors

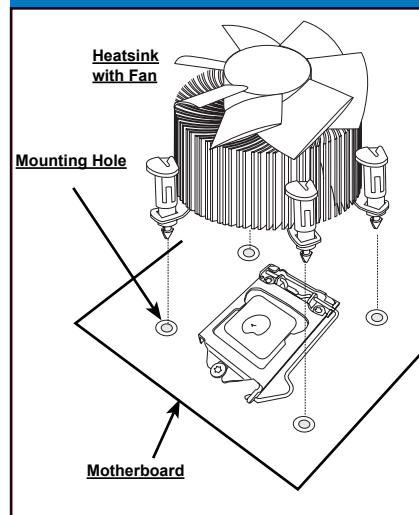
A. USB 2.0 Port 0	H. Gb LAN Port 1	N. SPDIF Out
B. USB 2.0 Port 1	I. USB 3.0 Port 6	O. Surround Out
C. HDMI Port	J. USB 3.0 Port 7	P. Center/LFE Out
D. VGA Port	K. Gb LAN Port 2	Q. Mic In
E. DVI Port	L. USB 3.0 Port 4	R. Line Out
F. Thunderbolt Port	M. USB 3.0 Port 5	S. Line In
G. Clear CMOS Switch (External)		



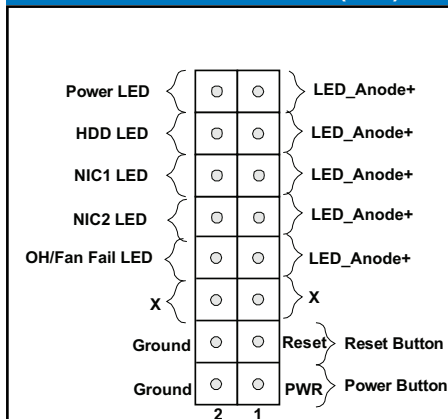
CPU Installation



Heatsink Installation



Front Panel Control (JF1)



Note: Graphics shown in this quick reference guide are for illustration only. Your components may or may not look exactly the same as drawings shown in this guide.

Note: Refer to Chapter 2 of the User Manual for detailed information on jumpers, connectors, and LED indicators.

Note: Refer to Chapter 2 of the User Manual for detailed information on memory support and CPU/motherboard installation instructions.