

**CONTACT INFORMATION**

- Website: [www.supermicro.com](http://www.supermicro.com)
- General Information: [marketing@supermicro.com](mailto:marketing@supermicro.com)
- Tech Support: [support@supermicro.com](mailto:support@supermicro.com)
- Phone: +1 (408) 503-8000, Fax: +1 (408) 503-8008

**FOR YOUR SYSTEM TO WORK PROPERLY, PLEASE DOWNLOAD APPROPRIATE**

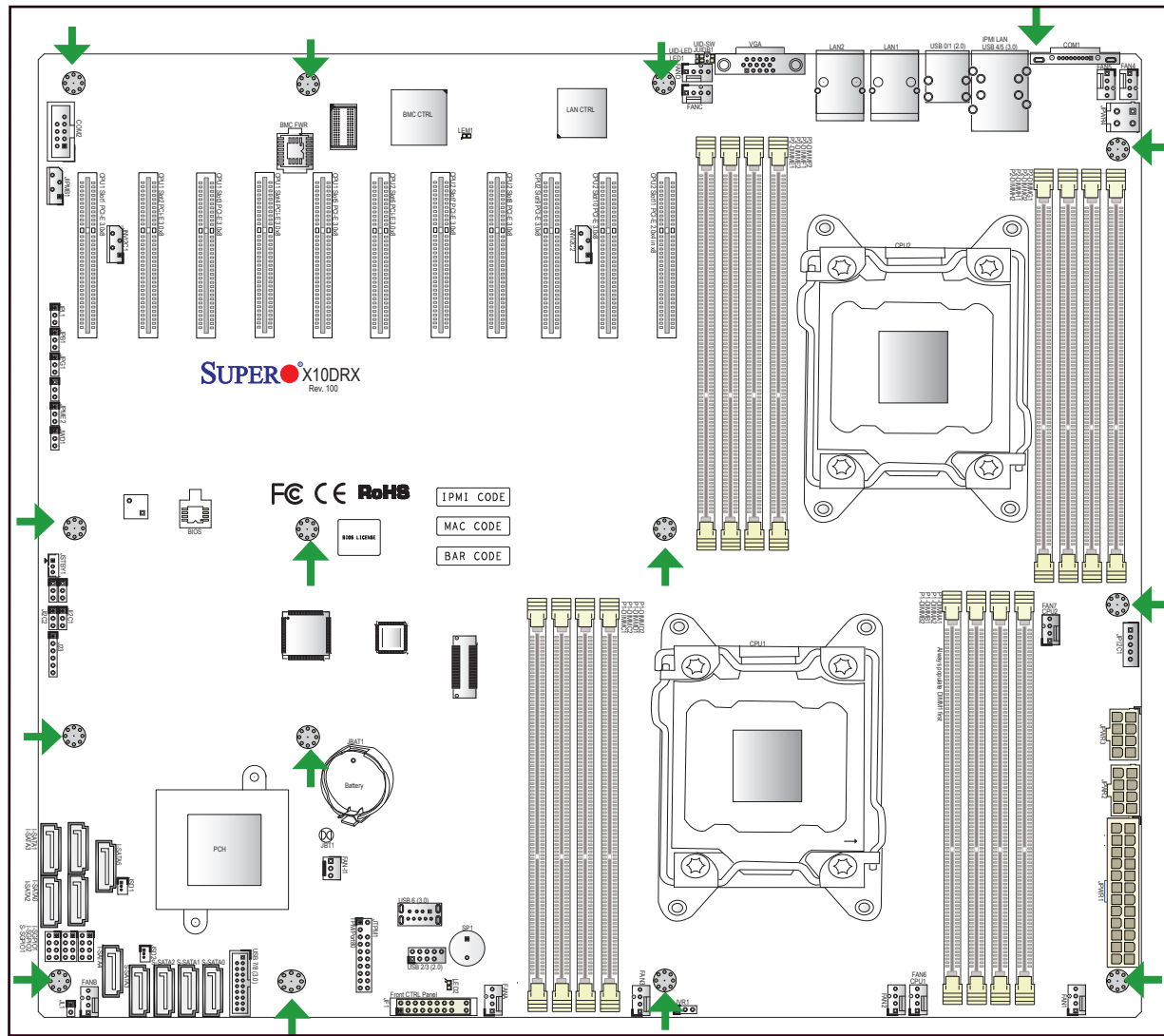
- DRIVERS/IMAGES/USER'S MANUAL FROM THE LINKS BELOW:**
- Manuals: <http://www.supermicro.com/support/manuals/>
  - Drivers & Utilities: <http://www.supermicro.com/wftop>
  - Safety: [http://www.supermicro.com/about/policies/safety\\_information.cfm](http://www.supermicro.com/about/policies/safety_information.cfm)

**PACKAGE CONTENTS**

- One (1) Supermicro Motherboard
- Six (6) SATA Cables
- One (1) I/O Shield
- One (1) Quick Reference Guide

**WARNING:** This product can expose you to chemicals including lead, known to the State of California to cause cancer and birth defects or other reproductive harm. For more information, go to [www.P65Warnings.ca.gov](http://www.P65Warnings.ca.gov).

**Motherboard Layout and Features**



→ = mounting hole

**Jumpers and Connectors**

Jumpers		
Jumper	Description	Default Setting
JBT1	Reset BIOS Configuration	See Chapter 2
J1PC1/J1PC2	SMB to PCI-E Slots	Pins 2-3 (Disabled)
JPB1	BMC Enable	Pins 1-2 (Enabled)
JPG1	VGA Enable	Pins 1-2 (Enabled)
JPL1	LAN 1/2 Enable	Pins 1-2 (Enabled)
JPME2	ME Manufacturing Mode Select	Pins 1-2 (Normal)
JWD1	Watch Dog Timer Enable	Pins 1-2 (Reset)

Connectors		
Connectors	Description	
Battery (JBAT1)	Onboard CMOS battery (See Chpt. 3 for used battery disposal)	
COM1/COM2	Backplane COM port1/Serial connector header 2	
Fan1-7, A-D	CPU/system fan headers (FAN6: CPU1 fan, FAN7: CPU2 fan)	
JF1	Front panel control header	
JL1	Chassis Intrusion header	
JIPMB1	4-pin external BMC I <sup>2</sup> C header (for an IPMI card)	
JSD1/JSD2	3-pin power connectors for SATA DOM (Device on Module) devices (external power required)	
JTPM1	TPM (Trusted Platform Module)/Port 80 header	
JUIDB1	UID (Unit Identification) button	
JNVI2C1/2	VPP header for NVMe add-on cards (AOC)	
IPMI_LAN	IPMI_dedicated LAN support by the Aspeed controller	
JSTBY1	Standby power connector	
LAN1/LAN2	Gigabit LAN Ethernet ports 1/2	
J1PC1	Power supply SMBus I <sup>2</sup> C header	
JPWR1	24-pin ATX main power connector (See Warning on Pg. 1-6 of User's Manual)	
JPWR2/3	12V 8-pin power connectors (See Warning on Pg. 1-6 of User's Manual)	
JPWR4	12V 4-pin power connector	
I-SATA0-5	SATA 3.0 connectors supported by Intel PCH (I-SATA4/I-SATA5: support SuperDOMs with power-pins built-in)	
S-SATA 0-3	SATA 3.0 connectors supported by Intel SCU (S-SATA 0-3)	
I-SGPI01/2	Serial_link General Purpose I/O (GPIO) headers 1/2(for I-SATA0-3, I-SATA4/5)	
S-SGPI01	Serial_link General Purpose I/O (GPIO) header (for S-SATA0-3)	
SP1	Internal speaker/buzzer	
JUIDB1	Unit Identification (UID) switch	
(BP) USB 0/1 (2.0)	Backpanel USB 2.0 ports 0/1	
(FP) USB 2/3 (2.0)	Front-accessible USB 2.0 connections 2/3 header	
(BP) USB 4/5 (3.0)	Backpanel USB 3.0 ports 4/5	
(FP) USB 6 (3.0)	Front accessible Type A USB 3.0 port 6	
(FP) USB 7/8 (3.0)	Front-accessible USB 3.0 connections 7/8 header	
VGA	Backpanel VGA port	

LED Indicators		
LED	Description	Status
LED1	Rear UID LED (Blue: On)	Unit Identified
LED2	Onboard PWR LED On	System Power On
LEM1	BMC Heartbeat LED (Green: Blinking)	BMC Normal

**Note:** Refer to Chapter 1 of the user manual for detailed information on jumpers, connectors, and LED indicators.

**CPU Support**

Dual Intel® E5-2600v3/v4 Series Processors (Socket R3-LGA 2011); each processor supports dual full-width Intel QuickPath Interconnect (QPI) links (of up to 9.6 GT/s one direction per QPI)

**Memory Support**

This motherboard supports up to 2048 GB of Load Reduced (LRDIMM) and up to 512 GB of Registered (RDIMM) DDR4 (288-pin) ECC 2400/2133/1866/1600 MHz memory in 16 slots (2 DIMMs per channel). Memory speed support is dependent on the CPUs installed in the motherboard. For the latest memory updates, please refer to our website at <http://www.supermicro.com/products/motherboard>.

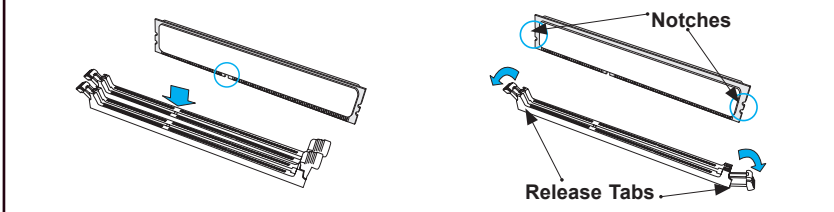
Populating RDIMM/LRDIMM DDR4 Memory Modules for the E5-2600v3-based Motherboard

Type	Ranks Per DIMM and Data Width	DIMM Capacity (GB)		Speed (MT/s); Voltage (V); Slot Per Channel (SPC) and DIMM Per Channel (DPC)		
		4Gb	8Gb	1 Slot Per Channel	2 Slots Per Channel	3 Slots Per Channel
		1DPC	1DPC	2DPC	1DPC	2DPC
RDIMM	SRx4	8GB	16GB	2133	2133	1866
RDIMM	SRx8	4GB	8GB	2133	2133	1866
RDIMM	DRx8	8GB	16GB	2133	2133	1866
RDIMM	DRx4	16GB	32GB	2133	2133	1866
LRDIMM	QRx4	32GB	64GB	2133	2133	2133
LRDIMM 3DS	8Rx4	64GB	128GB	2133	2133	2133

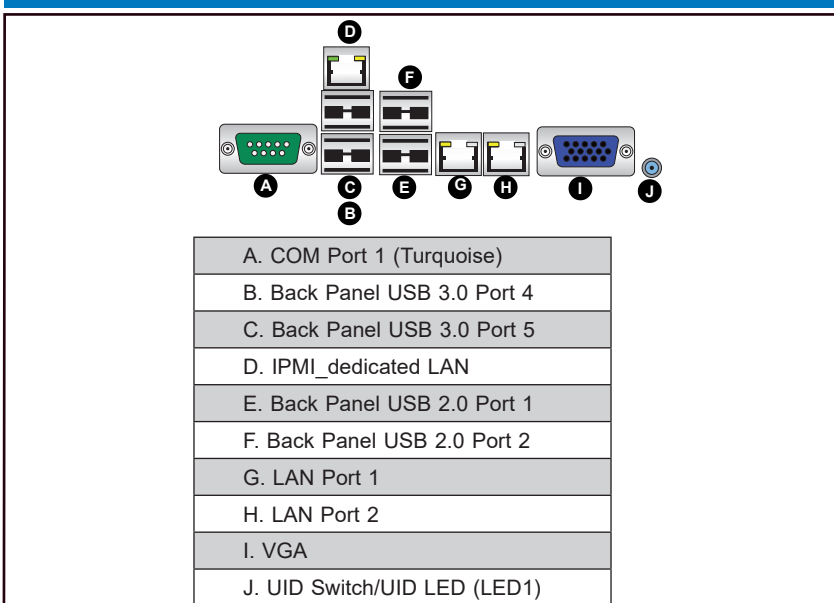
Populating RDIMM/LRDIMM DDR4 Memory Modules for the E5-2600v4-based Motherboard

Type	Ranks Per DIMM and Data Width	DIMM Capacity (GB)		Speed (MT/s); Voltage (V); Slot Per Channel (SPC) and DIMM Per Channel (DPC)		
		4Gb	8Gb	1 Slot Per Channel	2 Slots Per Channel	3 Slots Per Channel
		1DPC	1DPC	2DPC	1DPC	2DPC
RDIMM	5Rx4	8GB	16GB	2400	2400	2133
RDIMM	5Rx8	4GB	8GB	2400	2400	2133
RDIMM	DRx8	8GB	16GB	2400	2400	2133
RDIMM	DRx4	16GB	32GB	2400	2400	2133
LRDIMM	QRx4	32GB	64GB	2400	2400	2400
LRDIMM 3DS	8Rx4	64GB	128GB	2400	2400	2400

**DIMM Memory Installation**

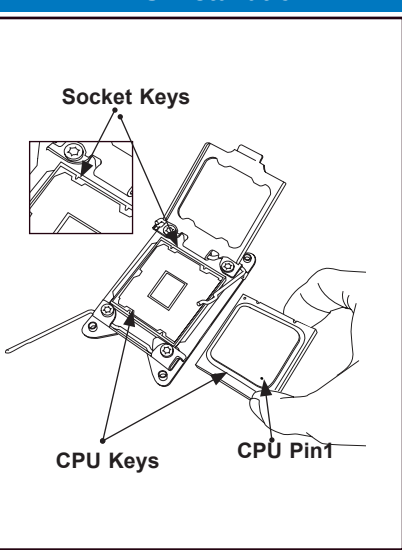


**Back Panel I/O Connectors**

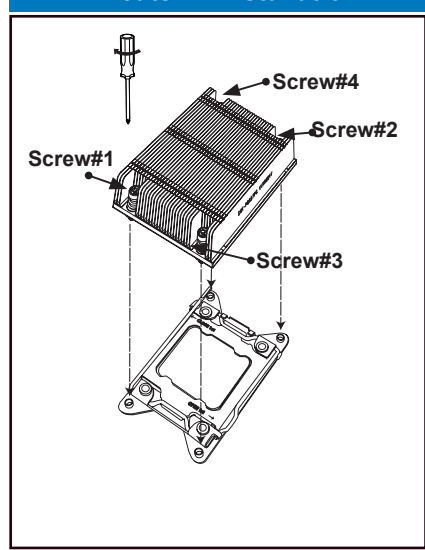


**Note:** Refer to Chapter 2 of the user manual for detailed information on memory support and CPU/motherboard installation instructions.

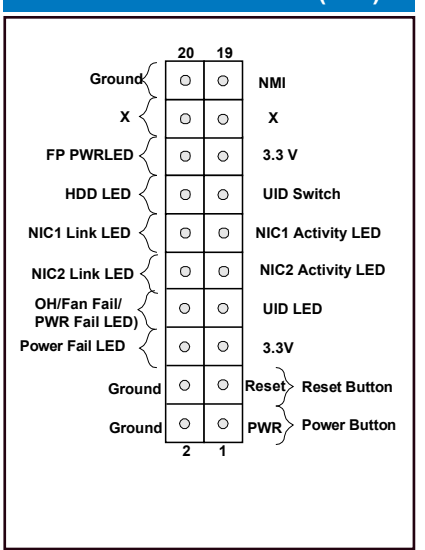
**CPU Installation**



**Heatsink Installation**



**Front Panel Control (JF1)**



**Note:** Graphics shown in this quick reference guide are for illustration only. Your components may or may not look exactly the same as the drawings shown in this guide.