

**CONTACT INFORMATION**

- Website: [www.supermicro.com](http://www.supermicro.com)
- General Information: [marketing@supermicro.com](mailto:marketing@supermicro.com)
- Tech Support: [support@supermicro.com](mailto:support@supermicro.com)
- Phone: +1 (408) 503-8000, Fax: +1 (408) 503-8008

FOR YOUR SYSTEM TO WORK PROPERLY, PLEASE DOWNLOAD APPROPRIATE DRIVERS/IMAGES/USER'S MANUAL FROM THE LINKS BELOW:

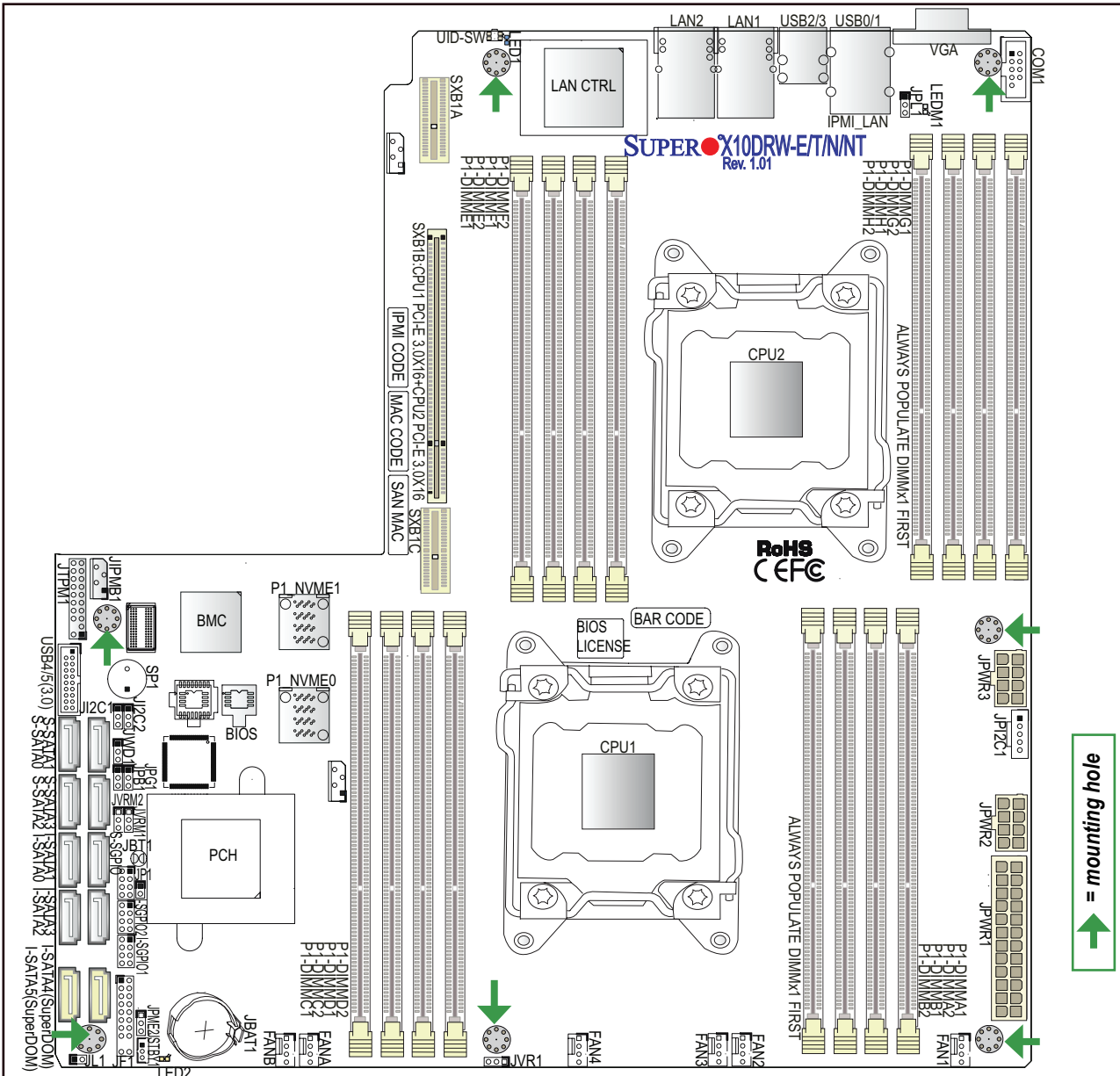
- Manuals: <http://www.supermicro.com/support/manuals/>
- Drivers & Utilities: <http://www.supermicro.com/wftp>
- Safety: [http://www.supermicro.com/about/policies/safety\\_information.cfm](http://www.supermicro.com/about/policies/safety_information.cfm)

**PACKAGE CONTENTS**

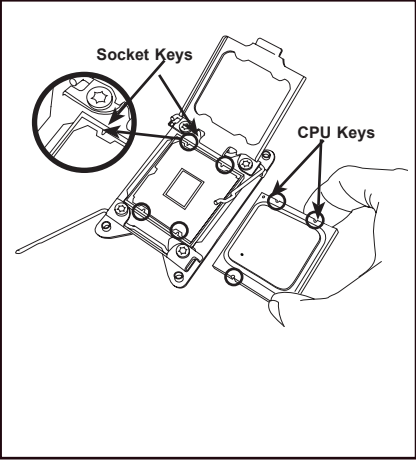
- One (1) Supermicro Motherboard
- Six (6) SATA Cables (CBL-0044L)
- One (1) Quick Reference Guide (MNL-1629-QRG)



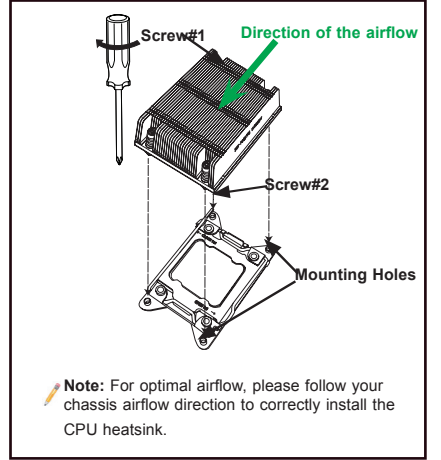
**Motherboard Layout and Features**



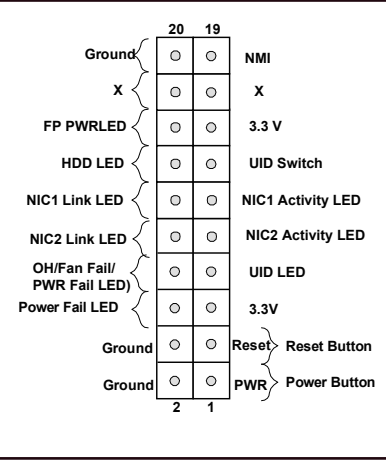
**CPU Installation**



**Heatsink Installation**



**Front Control Panel (JF1)**



**Jumpers and Connectors**

Jumpers		
Jumper	Description	Default Setting
JBT1	Clear CMOS	See Chapter 2
JIP2C1/JIP2C2	SMB to PCI-E Slots	Pins 2-3 (Disabled)
JPB1	BMC Enable	Pins 1-2 (Enabled)
JPG1	VGA Enable	Pins 1-2 (Enabled)
JPL1	GLAN1/GLAN2 Enable (for X10DRW-E/N) 10G-LAN1/ 10G-LAN1 Enable (for X10DRW-ET/NT)	Pins 1-2 (Enabled)
JPME2	ME Mode Select	Pins 1-2 (Normal)
JWD1	Watch Dog Timer Enable	Pins 1-2 (Reset)

Connectors	
Connectors	Description
Battery (JBAT1)	Onboard CMOS battery (See Chapter 3 for Used Battery Disposal.)
COM1	COM header
Fan1-4, A, B	System cooling fan headers (See Page1-8 in the manual.)
JF1	Front Control Panel header
JIPMB1	4-pin External BMC I <sup>2</sup> C header
JL1	Chassis Intrusion header
JIP2C1	Power Supply SMBus I <sup>2</sup> C header
JPWR1	24-pin ATX main power connector (See Page 1-6 in the manual.)
JPWR2/3	12V 8-Pin power connectors (See Page 1-6 in the manual.)
JSTBY1	Standby Power connector
JTPM1	TPM (Trusted Platform Module)/Port 80 header
LAN1/LAN2	Gigabit Ethernet (GLAN) Port 1/Port 2 (for X10DRW-E/N) 10G-LAN (TLAN) Port 1/Port 2 (for X10DRW-ET/NT)
IPMI_LAN	IPMI_Dedicated LAN support by the ASpeed controller
P1_NVME0/1	NVM Express PCI-Express 3.0 x4 ports 0/1 (from CPU1) (For X10DRW-N/NT)
I-SATA 0-3	Intel SATA 3.0 ports 0-3
I-SATA 4/5	Intel SATA 3.0 ports 4/5 w/SuperDOMs (SATA DOMs with power built in) support
S-SATA 0-3	S-SATA 3.0 connectors 0-3 from Intel SCU
S-SGPIO	Serial_Link General Purpose I/O header 1 for S-SATA connections 0-3
I-SGPIO1/2 (SATA-SGPIO1/2)	Serial_Link General Purpose I/O headers 1/2 for SATA connections (I-SGPIO1: for I-SATA0-3, I-SGPIO2: for I-SATA4/5)
SP1	Internal Speaker/Buzzer
SXB1B	SMCI-proprietary CPU1 PCI-E 3.0 x16 + CPU2 PCI-E 3.0 x16 slot w/riser-card support
SXB1A /SXB1C	Power supply to the PCI-E (SXB1B) slot
UID (JUIDB1)	Unit Identified (UID) switch
(BP) USB 0/1	Backpanel USB 2.0 Ports 0/1 (USB 2.0 0/1)
(BP) USB 2/3	Backpanel USB 2.0 Ports 2/3 (USB 2.0 2/3)
(FP) USB 4/5 (3.0)	One internal USB 3.0 header w/two USB 3.0 connections supported (USB 3.0 4/5)
VGA	Backpanel VGA port

**Note:** Refer to Chapter 1 of the user manual for detailed information on jumpers, connectors, and LED indicators.

**CPU Support**

Dual Intel® E5-2600v3/v4 Series processors (Socket R3-LGA 2011); each processor supports dual full-width Intel QuickPath Interconnect (QPI) links (of up to 9.6 GT/s one direction per QPI)

**Note:** Please install both CPUs for full access to the PCI-E slots, DIMM slots, and onboard controllers. Refer to the block diagram on page 1-10 in the manual to determine which slots or devices may be affected. Please populate CPU socket 1 first.

**Memory Support**

This motherboard supports up to 2048 GB of Load Reduced (LRDIMM), and up to 512 GB of Registered (RDIMM) DDR4 (288-pin) ECC 2400/2133/1866/1600 MHz memory in 16 slots (2 DIMMs per channel).

**Note:** Memory speed support is dependent on the processors installed in the system. For the latest CPU/memory updates, please refer to our website at <http://www.supermicro.com/products/motherboard>.

**Populating RDIMM/LRDIMM ECC Memory Modules**

**Populating RDIMM/LRDIMM DDR4 Memory Modules for the E5-2600v3-based Motherboard**

Type	Rank	Data Width	ECC	Capacity (GB)	Speed (MHz) Without ECC		
					1 Slot Per Channel	2 Slots Per Channel	3 Slots Per Channel
RDIMM	8Bx8	64B	ECC	16GB	1200	1333	1866
					1600	1866	2133
					2400	2400	2133
LRDIMM	8Bx8	64B	ECC	16GB	1200	1333	1866
					1600	1866	2133
					2400	2400	2133

**Populating RDIMM/LRDIMM DDR4 Memory Modules for the E5-2600v4-based Motherboard**

Type	Rank	Data Width	ECC	Capacity (GB)	Speed (MHz) Without ECC		
					1 Slot Per Channel	2 Slots Per Channel	3 Slots Per Channel
RDIMM	8Bx8	64B	ECC	16GB	1200	1333	1866
					1600	1866	2133
					2400	2400	2133
LRDIMM	8Bx8	64B	ECC	16GB	1200	1333	1866
					1600	1866	2133
					2400	2400	2133

**Back Panel I/O Connectors**

1. Back Panel VGA (Blue)
2. Back Panel USB 2.0 Port 0
3. Back Panel USB 2.0 Port 1
4. IPMI\_Dedicated LAN
5. Back Panel USB 2.0 Port 2
6. Back Panel USB 2.0 Port 3
7. Gigabit LAN Port 1 (for X10DWR-E/N)  
10G-LAN (TLAN) Port 1 (for X10DWR-ET/NT)
8. Gigabit LAN Port 2 (for X10DWR-E/N)  
10G-LAN (TLAN) Port 2 (for X10DWR-ET/NT)
9. UID Switch/UID LED (LED1)

**LED Indicators**

LED	Description	State	Status
LED1	Rear UID-LED	Blue: On	Unit Identified
LED2	Onboard PWR LED	On	System Power On
LEDM1	BMC Heartbeat LED	Green: Blinking	BMC Normal

**Note:** Refer to Chapter 2 of the user manual for detailed information on memory support and CPU/motherboard installation instructions.

**Note:** Graphics shown in this quick reference guide are for illustration only. Your components may or may not look exactly the same as the drawings shown in this guide.