

**CONTACT INFORMATION**

- Website: [www.supermicro.com](http://www.supermicro.com)
- General Information: [marketing@supermicro.com](mailto:marketing@supermicro.com)
- Tech Support: [support@supermicro.com](mailto:support@supermicro.com)
- Phone: +1 (408) 503-8000, Fax: +1 (408) 503-8008

FOR YOUR SYSTEM TO WORK PROPERLY, PLEASE DOWNLOAD APPROPRIATE DRIVERS/IMAGES/USER'S MANUAL FROM THE LINKS BELOW:

- Manuals: <http://www.supermicro.com/support/manuals/>
- Drivers & Utilities: <http://www.supermicro.com/wftp>
- Safety: [http://www.supermicro.com/about/policies/safety\\_information.cfm](http://www.supermicro.com/about/policies/safety_information.cfm)

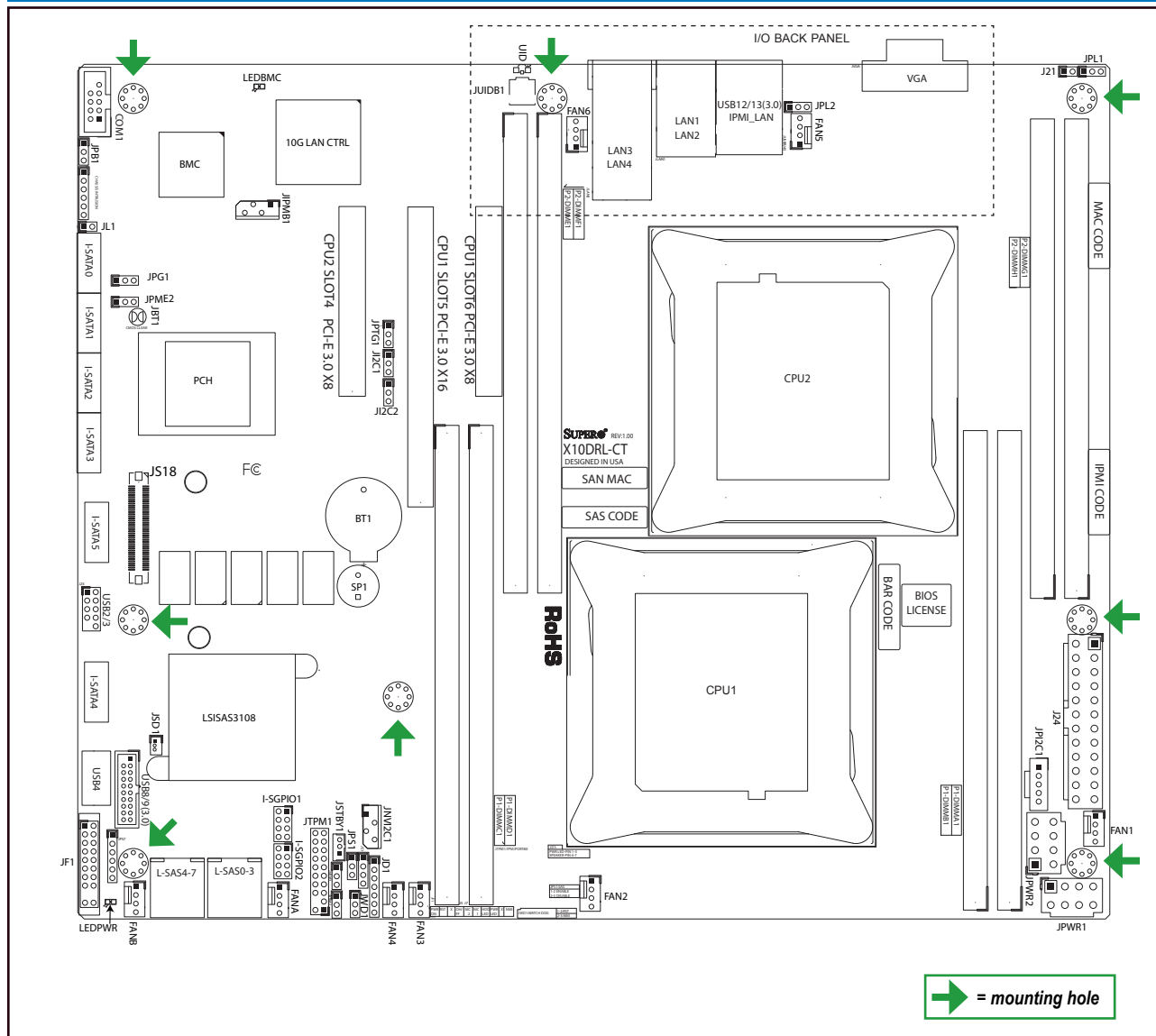
**PACKAGE CONTENTS** (Applies to individual-pack only)

- One (1) Supermicro Motherboard
- X10DRL-iT: Six (6) SATA Cables
- X10DRL-CT/-C: Two (2) SATA & Two (2) SAS Cables
- One (1) Quick Reference Guide



- One (1) I/O Shield

**Motherboard Layout and Features**



**Jumpers and Connectors**

Jumpers		
Jumper	Description	Default Setting
JBT1	Clear CMOS/Reset BIOS Configuration	(See Chpt. 2)
J12C1/J12C2	SMB to PCI-E Slots	Pins 2-3 (Disabled)
JPB1	BMC Enable/Disable	Pins 1-2 (Enabled)
JPG1	Onboard VGA Enable	Pins 1-2 (Enabled)
JPL1, JPL2	LAN1, LAN2 Enable/Disable	Pins 1-2 (Enabled)
JPME2	Intel ME Recovery Mode	Pins 1-2 (Normal)
JPS1	SAS Enable*	Pins 1-2 (Enabled)
JPTG1	10Gb LAN Support Enable/Disable*	Pins 1-2 (Enabled)
JWD1	Watch Dog Timer Enable	Pins 1-2 (Reset)

Connectors and Switches	
Connectors	Description
COM1	On board Serial port header for COM1
FAN1~6, FANA/B	CPU/System Fan Headers
I/O Back Panel	See Back Panel I/O Connectors, Section 2-6
I-SATA0~5	SATA Interface for SATA1, 2, 3, 4, 5 and 6
I-SGPIO1/I-SGPIO2	Serial General Purpose I/O Headers 1 and 2
J24	24-pin ATX Power Connector
JD1	External Speaker/Power LED
JF1	Front Panel Control/LED Header
JIPMB1	System Management Bus header
JL1	Chassis Intrusion Header
JNVI2C1	PCI-E NVMe AOC I2C Header
JPI2C1	Power Supply SMBus I2C Header
JPWR1, JPWR2	8-pin ATX Power Connectors
JS18	LSISAS3108 TFM connector
JSD1	Power Connector for DOM (Disk on Module) Device
JSTBY1	Standby Power Connector
JTPM1	TPM (Trusted Platform Module) / Port 80 Header
JUIDB1	UID (Unit ID) Switch
L-SAS0~3, L-SAS4~7	L-SAS Interface for SAS0~7*
SP1	Internal Speaker/ Buzzer
USB 2/3	USB 2.0 Header for USB ports 2/3
USB4	USB 2.0 Type A port for USB 4
USB 8/9 (3.0)	USB 3.0 Header for USB ports 8/9

LED Indicators			
LED	Description	State	Status
LEDBMC	BMC Heartbeat LED	Green/Blinking	BMC Normal
LEDPWR	Onboard Power LED	Green/Solid	System Power On
UID	UID Switch Indicator	Blue/Steady	UID Switch is On

Supported Motherboard Features		
Model	10Gb LAN Support	SAS Support
X10DRL-CT	Yes	Yes
X10DRL-C	No	Yes
X10DRL-iT	Yes	No

**CPU Support**

Dual Intel® E5-2600v3/v4 Series processors (Socket R3-LGA 2011); each processor supports dual full-width Intel QuickPath Interconnect (QPI) links (of up to 9.6 GT/s one direction per QPI)

**Memory Support**

The X10DRL-CT/-iT/-C Motherboard supports up to 512 GB of DDR4 Registered (RDIMM)/Load Reduced (LRDIMM) ECC 2400/2133/1866/1600 MHz memory modules in eight DIMM slots. Memory speed support is dependent on the CPUs used in the motherboard. **Note:** For memory optimization, use only DIMM modules that have been validated by Supermicro. For the latest memory updates, please refer to our website at <http://www.supermicro.com/products/motherboard>.

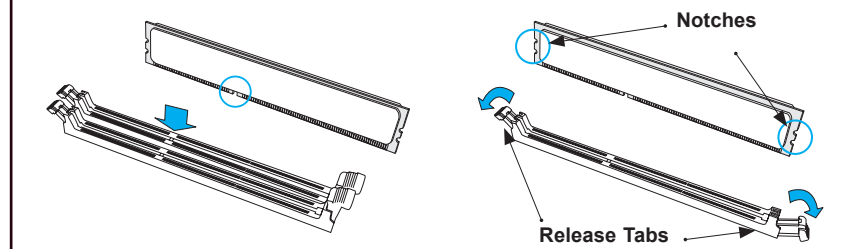
Populating RDIMM/LRDIMM DDR4 Memory Modules for the E5-2600v3-based Motherboard

Type	Ranks Per DIMM and Data Width	DIMM Capacity (GB)		Speed (MT/s); Voltage (V); Slot Per Channel (SPC) and DIMM Per Channel (DPC)
		4Gb	8Gb	
RDIMM	SRx4	8GB	16GB	1 Slot Per Channel 1DPC 1.2V
RDIMM	SRx8	4GB	8GB	2133
RDIMM	DRx8	8GB	16GB	2133
RDIMM	DRx4	16GB	32GB	2133
LRDIMM	QRx4	32GB	64GB	2133
LRDIMM 3DS	8Rx4	64GB	128GB	2133

Populating RDIMM/LRDIMM DDR4 Memory Modules for the E5-2600v4-based Motherboard

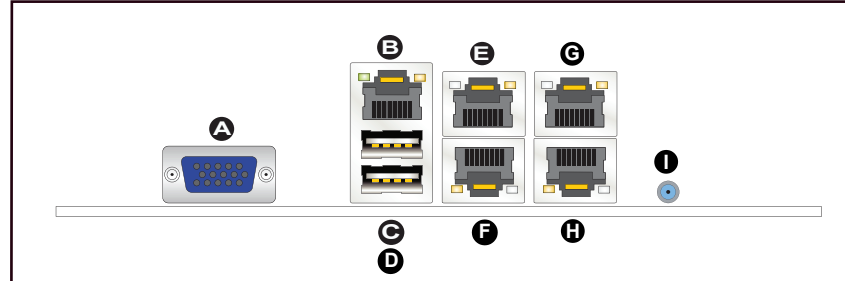
Type	Ranks Per DIMM and Data Width	DIMM Capacity (GB)		Speed (MT/s); Voltage (V); Slot Per Channel (SPC) and DIMM Per Channel (DPC)
		4Gb	8Gb	
RDIMM	SRx4	8GB	16GB	2400
RDIMM	SRx8	4GB	8GB	2400
RDIMM	DRx8	8GB	16GB	2400
RDIMM	DRx4	16GB	32GB	2400
LRDIMM	QRx4	32GB	64GB	2400
LRDIMM 3DS	8Rx4	64GB	128GB	2400

**DIMM Memory Installation**



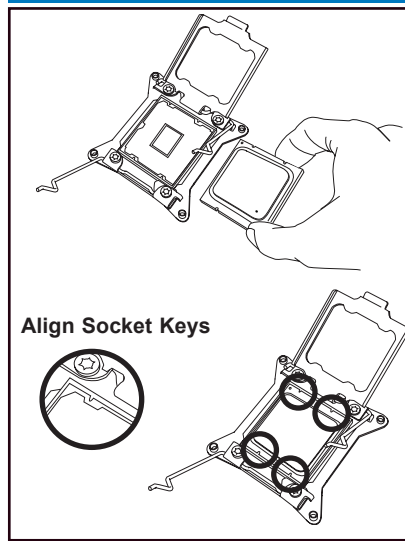
**Note:** Up to 512GB of memory are supported. See Chapter 2 of the user manual for complete memory population information.

**Back Panel I/O Connectors**

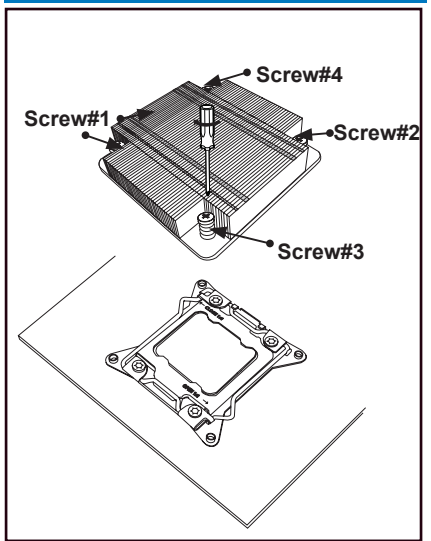


A. VGA Port	D. USB 3.0 Port 13	G. 10Gb LAN Port 3 (X10DRL-CT/-iT only)
B. IPMI Port	E. 1Gb LAN Port 1	H. 10Gb LAN Port 4 (X10DRL-CT/-iT only)
C. USB 3.0 Port 12	F. 1Gb LAN Port 2	I. UID Switch / UID LED

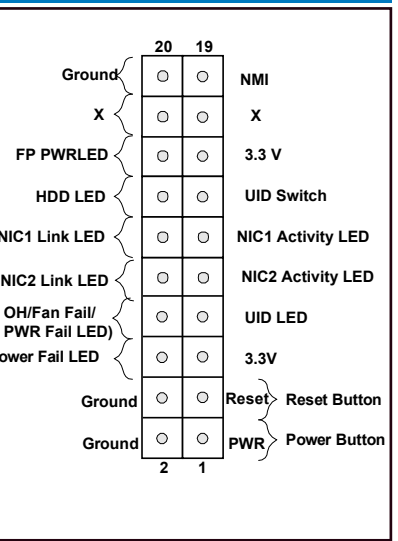
**CPU Installation**



**Heatsink Installation**



**Front Panel Control (JF1)**



**Note:** Graphics shown in this quick reference guide are for illustration only. Your components may or may not look exactly the same as the drawings shown in this guide.

**Note:** Refer to Chapter 2 of the user manual for detailed information on jumpers, connectors, and LED indicators.

**Note:** Refer to Chapter 2 of the user manual for detailed information on memory support and CPU/motherboard installation instructions.