

CONTACT INFORMATION

- Website: www.supermicro.com
- General Information: marketing@supermicro.com
- Tech Support: support@supermicro.com
- Phone: +1 (408) 503-8000, Fax: +1 (408) 503-8008

FOR YOUR SYSTEM TO WORK PROPERLY, PLEASE DOWNLOAD APPROPRIATE

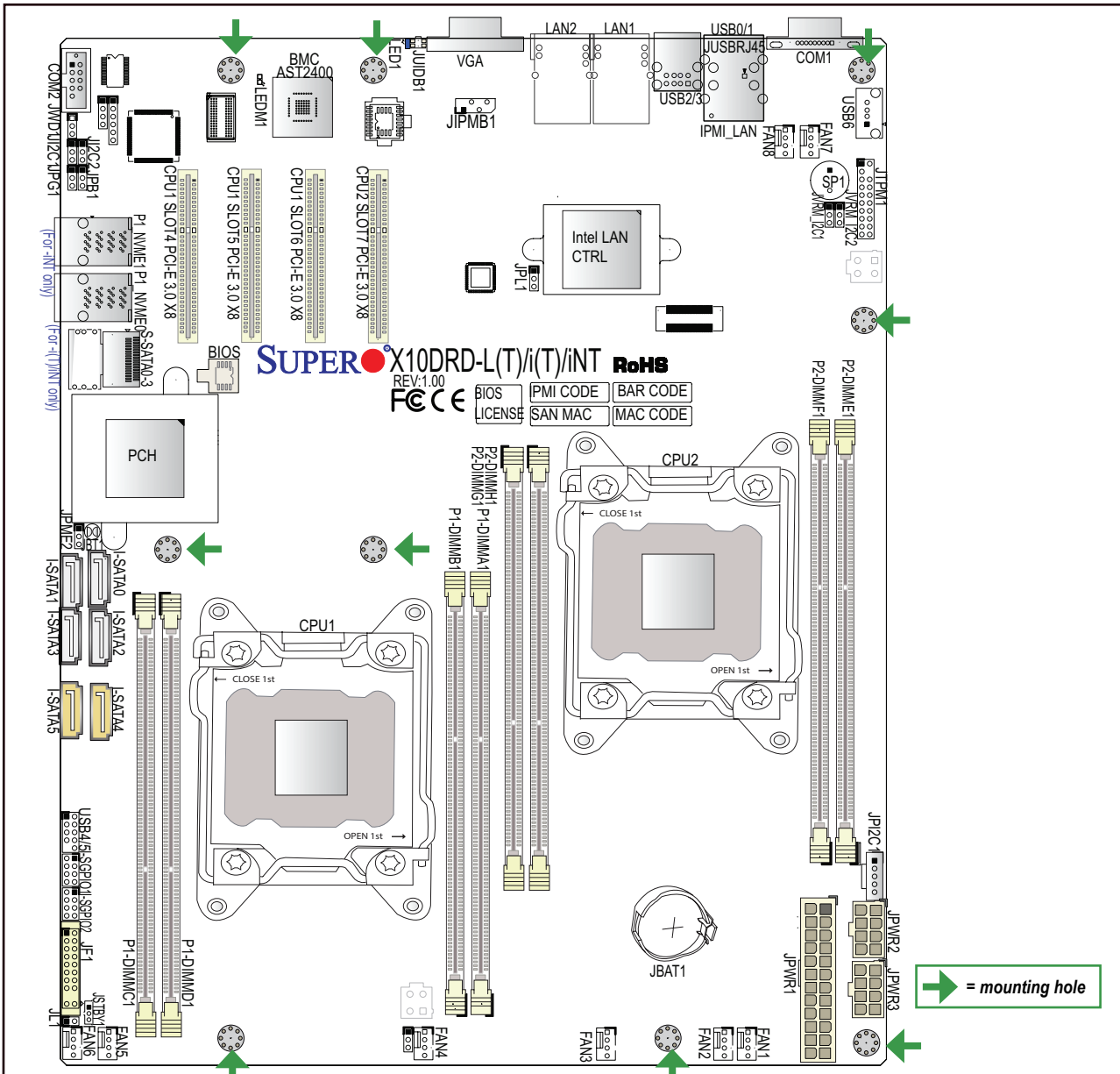
- DRIVERS/IMAGES/USER'S MANUAL FROM THE LINKS BELOW:
- Manuals: <http://www.supermicro.com/support/manuals/>
- Drivers & Utilities: <http://www.supermicro.com/wftp>
- Safety: http://www.supermicro.com/about/policies/safety_information.cfm

PACKAGE CONTENTS

- One (1) Supermicro Motherboard
- Four (4) SATA Cables (CBL-0044L)
- One (1) I/O shield (MCP-260-00042-0N)
- One (1) Quick Reference Guide (MNL-1712-QRG)



Motherboard Layout and Features



Jumpers and Connectors

Jumpers		
Jumper	Description	Default Setting
JBT1	Clear CMOS	See Chapter 2
J12C1/J12C2	SMB to PCI-E Slots	Pins 2-3 (Disabled)
JPB1	BMC Enable	Pins 1-2 (Enabled)
JPG1	VGA Enable	Pins 1-2 (Enabled)
JPL1	Gigabit LAN 1/2 Enable (X10DRD-L/i)	Pins 1-2 (Enabled)
JPL1	10G_LAN 1/2 Enable (X10DRD-LT/iT/iNT)	Pins 1-2 (Enabled)
JPME2	Manufacture (ME) Mode Select	Pins 1-2 (Normal)
JWD1	Watch Dog Timer Enable	Pins 1-2 (Reset)

Connectors	
Connectors	Description
JBAT1 (Battery)	Onboard CMOS battery (See Chpt. 3 for Used Battery Disposal)
COM1/COM2	Backplane COM Port1/Front accessible COM2 header
FAN 1- 8	CPU/system fan headers (FAN1-FAN8)
IPMI_LAN	IPMI_dedicated LAN support by the Aspeed controller
JF1	Front control panel header
JL1	Chassis intrusion header
J12C1	Power supply SMBus I2C header
JPWR1	24-pin ATX main power connector (See Warning on Pg. 1-6)
JPWR2/JPWR3	12V 8-pin power connectors (See Warning on Pg. 1-6.)
JSTBY1	Standby power connector
JTPM1	TPM (Trusted Platform Module)/Port 80 header
P1-NVME0/1	NVM Express PCI-E 3.0 x4 ports (by internal mini-SAS HD connector) (for X10DRD-iNT only)
I-SATA 0-5	SATA 3.0 connectors supported by Intel® PCH (I-SATA 0-5), (I-SATA4/I-SATA5: can be used as Supermicro SuperDOMs [Devices-on-Module] with built-in power connectors)
S-SATA0-3	SATA 3.0 connections 0-3 supported by Intel® SCU (for X10DRD-iT/iNT only)
LAN1	10G Ethernet LAN Port 1 (X10DRD-LT/iT/iNT) Gigabit Ethernet LAN Port1 (X10DRD-L/i)
LAN2	10G Ethernet LAN Port 2 (X10DRD-LT/iT/iNT) Gigabit Ethernet LAN Port2 (X10DRD-L/i)
(CPU1)Slot4	PCI-Express 3.0 x8 slot from CPU1 (for X10DRD-iT/iNT)
(CPU1)Slot5	PCI-Express 3.0 x8 slot from CPU1 (for X10DRD-iT/iNT)
(CPU1)Slot6	PCI-Express 3.0 x8 slot from CPU1
(CPU2)Slot7	PCI-Express 3.0 x8 slot from CPU2 (for X10DRD-iT/iNT) (CPU2 is required)
SP1	Internal speaker/buzzer
UID-SW (JUIDB1)	UID (Unit Identification) switch
(BP) USB 0/1 (2.0)	Backpanel USB 2.0 ports 0/1
(FP) USB 2/3 (2.0)	Backpanel USB 2.0 connections (USB 2/3) header
(FP) USB 4/5 (2.0)	Front-accessible USB 2.0 ports 4/5
(FP) USB 6 (2.0)	Front-accessible Type A 2.0 connector (USB6)
VGA	Backpanel VGA port

Note: Refer to Chapter 1 of the user's manual for detailed information on jumpers, connectors, and LED indicators.

CPU Support

Dual Intel® E5-2600v3/v4 Series processors (Socket R3-LGA 2011); each processor supports dual full-width Intel QuickPath Interconnect (QPI) links (of up to 9.6 GT/s one direction per QPI)

Notes: 1. The X10DRD-LT/iT/iNT supports CPU Thermal Design Power (TDP) of up to 145W, and X10DRD-L supports TDP of up to 120W.

2. Please install both CPUs for full access to onboard PCI-E slots, DIMM slots, and controllers. Refer to the block diagram on page 1-10 in the user's manual to determine which slots or devices may be affected. Please populate CPU socket 1 first.

Memory Support

This motherboard supports up to 1024 GB of Load Reduced (LRDIMM) or 256 GB of Registered (RDIMM) DDR4 (288-pin) ECC 2400/2133/1866/1600 MHz modules in eight slots. Memory speed support is dependent on the CPUs installed in the motherboard. For the latest memory updates, please refer to our website at <http://www.supermicro.com/products/motherboard>.

Populating RDIMM/LRDIMM ECC Memory Modules

Populating RDIMM/LRDIMM DDR4 Memory Modules for the E5-2600v3-based Motherboard

Type	Rank	Capacity (GB)	Speed (MHz)	Max. Temp. (°C)
RDIMM	8Bx4	4GB	1866	23.33
RDIMM	8Bx4	4GB	1600	23.33
RDIMM	8Bx4	4GB	1333	23.33
RDIMM	8Bx4	4GB	1066	23.33
RDIMM	8Bx4	4GB	800	23.33
RDIMM	8Bx4	4GB	666	23.33
RDIMM	8Bx4	4GB	533	23.33
RDIMM	8Bx4	4GB	400	23.33

Populating RDIMM/LRDIMM DDR4 Memory Modules for the E5-2600v4-based Motherboard

Type	Rank	Capacity (GB)	Speed (MHz)	Max. Temp. (°C)
RDIMM	8Bx4	4GB	1866	24.00
RDIMM	8Bx4	4GB	1600	24.00
RDIMM	8Bx4	4GB	1333	24.00
RDIMM	8Bx4	4GB	1066	24.00
RDIMM	8Bx4	4GB	800	24.00
RDIMM	8Bx4	4GB	666	24.00
RDIMM	8Bx4	4GB	533	24.00
RDIMM	8Bx4	4GB	400	24.00

Notches

Release Tabs

Back Panel I/O Connectors

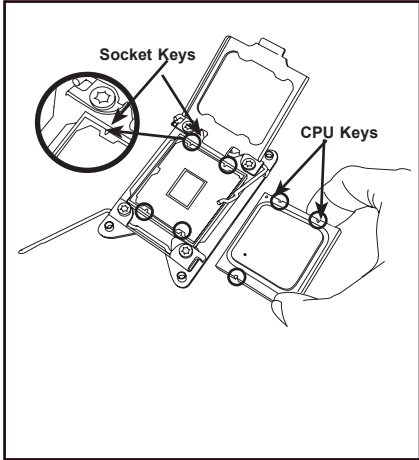
1. COM Port 1
2. Back Panel USB 2.0 Port 0
3. Back Panel USB 2.0 Port 1
4. IPMI-Dedicated LAN
5. Back Panel USB 2.0 Port 2
6. Back Panel USB 2.0 Port 3
7. 10GbE LAN Port 1 (X10DRD-LT/iT/iNT) Gigabit LAN Port 1 (X10DRD-L/i)
8. 10GbE LAN Port 2 (X10DRD-LT/iT/iNT) Gigabit LAN Port 2 (X10DRD-L/i)
9. Back Panel VGA (Blue)
10. UID Button/UID LED

LED Indicators

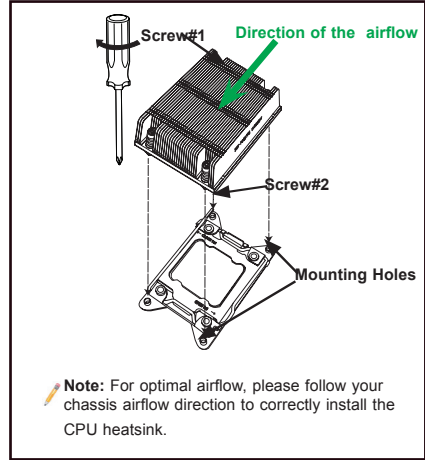
LED	Description	State	Status
LED1	Rear UID LED	Blue: On	Unit Identified
LEDM1	BMC Heartbeat LED	Green: Blinking	BMC Normal

Note: Refer to Chapter 2 of the user's manual for detailed information on memory support and CPU/motherboard installation instructions.

CPU Installation



Heatsink Installation



Front Control Panel (JF1)

	1	2	
Power Button	○	○	Ground
Reset Button	○	○	Ground
3.3V	○	○	Power Fail LED
UID LED	○	○	OH/Fan Fail/ PWR Fail LED
NIC2 Activity LED	○	○	NIC2 Link LED
NIC1 Activity LED	○	○	NIC1 Link LED
UID Switch	○	○	HDD LED
3.3 V	○	○	FP PWRLED
X	○	○	X
NMI	○	○	Ground
	19	20	

Note: Graphics shown in this quick reference guide are for illustration only. Your components may or may not look exactly the same as the drawings shown in this guide.