

CONTACT INFORMATION

- Website: www.supermicro.com
- General Information: marketing@supermicro.com
- Tech Support: support@supermicro.com
- Phone: +1 (408) 503-8000, Fax: +1 (408) 503-8008

FOR YOUR SYSTEM TO WORK PROPERLY, PLEASE DOWNLOAD APPROPRIATE

DRIVERS/IMAGES/USER'S MANUAL FROM THE LINKS BELOW:

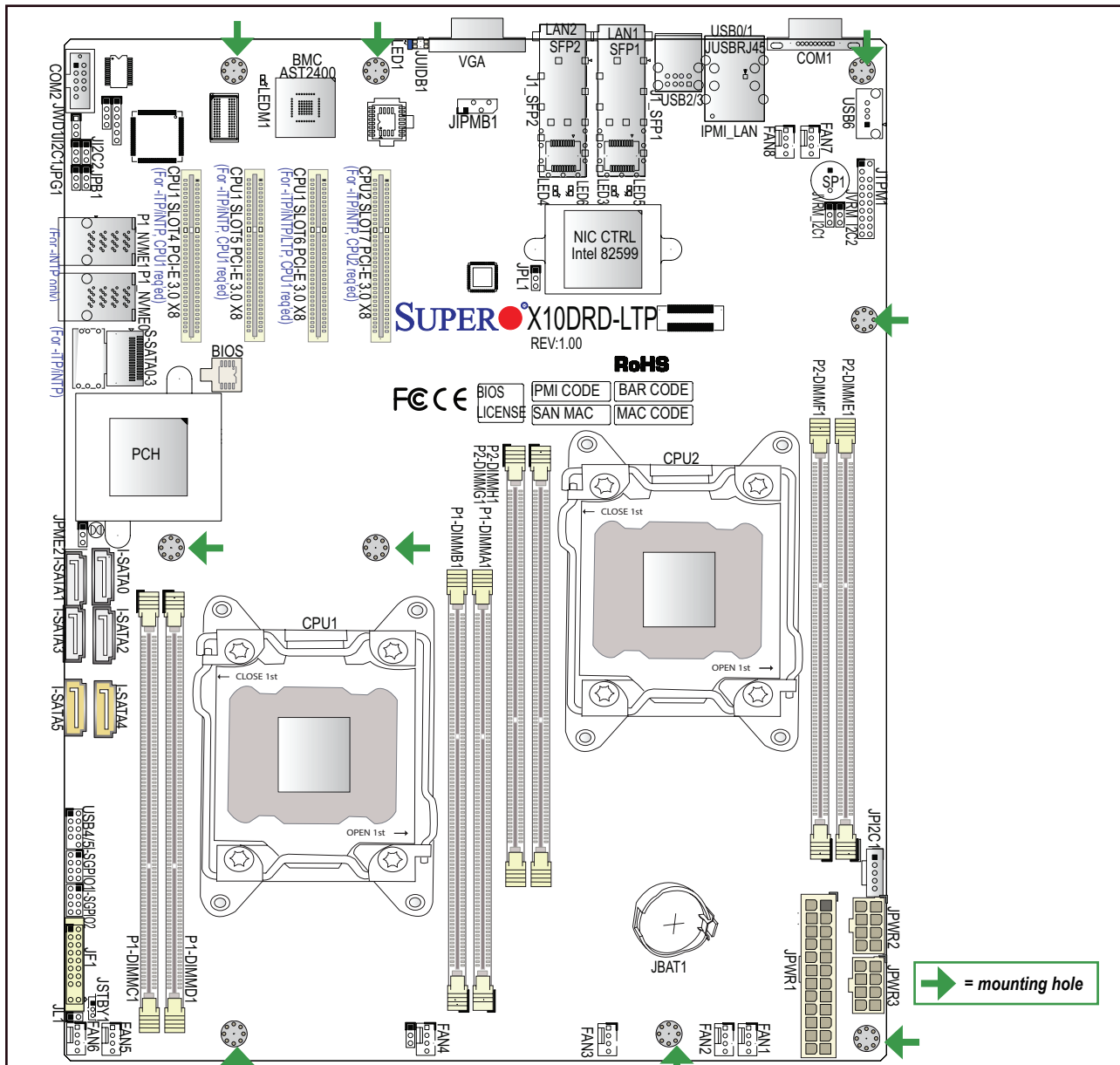
- Manuals: <http://www.supermicro.com/support/manuals/>
- Drivers & Utilities: <http://www.supermicro.com/wftp>
- Safety: http://www.supermicro.com/about/policies/safety_information.cfm

PACKAGE CONTENTS

- One (1) Supermicro Motherboard
- One (1) I/O shield (MCP-260-00042-0N)
- Four (4) SATA Cables (CBL-0044L)
- One (1) Quick Reference Guide (MNL-1681-QRG)
- One (1) I/O shield dual-port SFP bracket
- One (1) iPASS to 4-SATA cable (CBL-0097L-03) (for X10DRD-iTP/iNTP)



Motherboard Layout and Features



Jumpers and Connectors

| Jumpers | | |
|---------------------------------------|------------------------------|---------------------|
| Jumper | Description | Default Setting |
| JBT1 | Clear CMOS | See Chapter 2 |
| J1 ² C1/J1 ² C2 | SMB to PCI-E Slots | Pins 2-3 (Disabled) |
| JPB1 | BMC Enable | Pins 1-2 (Enabled) |
| JPG1 | VGA Enable | Pins 1-2 (Enabled) |
| JPL1 | 10G_SPF/LAN 1/2 Enable | Pins 1-2 (Enabled) |
| JPME2 | Manufacture (ME) Mode Select | Pins 1-2 (Normal) |
| JWD1 | Watch Dog Timer Enable | Pins 1-2 (Reset) |

| Connectors | |
|--------------------|---|
| Connectors | Description |
| JBAT1 (Battery) | Onboard CMOS battery |
| COM1/COM2 | Backplane COM Port1/Front accessible COM2 header |
| FAN 1- 8 | CPU/system fan headers (FAN1-FAN8) |
| IPMI_LAN | IPMI_dedicated LAN support by the Aspeed controller |
| JF1 | Front control panel header |
| JL1 | Chassis intrusion header |
| J1 ² C1 | Power supply SMBbus I ² C header |
| JPWR1 | 24-pin ATX main power connector |
| JPWR2/JPWR3 | 12V 8-pin power connectors |
| JSTBY1 | Standby power connector |
| JTPM1 | TPM (Trusted Platform Module)/Port 80 header |
| P1-NVME0/1 | NVM Express PCI-E 3.0 x4 ports supported by CPU1 (for X10DRD-iNTP only) |
| I-SATA 0-5 | SATA 3.0 connectors supported by Intel [®] PCH (I-SATA 0-5), (I-SATA4/I-SATA5: can be used as Supermicro SuperDOMs [Devices-on-Module] with built-in power connectors) |
| I-SGPIO1/2 | Seria_Link General Purpose I/O headers 1/2 for SATA ports (I-SGPIO1 for I-SATA0-3, I-SGPIO2 for I-SATA4/5) |
| S-SATA0-3 | SATA 3.0 connections 0-3 supported by Intel [®] SCU (for X10DRD-iTP/iNTP only) |
| SFP+/LAN1 | 10G_SFP+ (Small-form Factor Pluggable Transceiver)/(10GbE) LAN Port 1 (J1_SFP1) |
| SFP+/LAN2 | 10G_SFP+ (Small-form Factor Pluggable Transceiver)/(10GbE) LAN Port 2 (J1_SFP2) |
| (CPU1)Slot4 | PCI-Express 3.0 x8 slot from CPU1 (for X10DRD-iTP/iNTP) |
| (CPU1)Slot5 | PCI-Express 3.0 x8 slot from CPU1 (for X10DRD-iTP/iNTP) |
| (CPU1)Slot6 | PCI-Express 3.0 x8 slot from CPU1 (for X10DRD-iTP/iNTP/LTP) |
| (CPU2)Slot7 | PCI-Express 3.0 x8 slot from CPU2 (CPU2 is required) (for X10DRD-iTP/iNTP) |
| SP1 | Internal speaker/buzzer |
| UID-SW (JUIDB1) | UID (Unit Identification) switch |
| (BP) USB 0/1 (2.0) | Backpanel USB 2.0 ports 0/1 |
| (BP) USB 2/3 (2.0) | Front accessible USB 2.0 connections (USB 2/3) header |
| (BP) USB 4/5 (2.0) | Backpanel USB 2.0 ports 4/5 |
| (FP) USB 6 (2.0) | Front accessible Type A 2.0 connector (USB6) |
| VGA | Backpanel VGA port |

Note: Refer to Chapter 1 of the user manual for detailed information on jumpers, connectors, and LED indicators.

CPU Support

Dual Intel[®] E5-2600v3/v4 Series processors (Socket R3-LGA 2011); each processor supports dual full-width Intel QuickPath Interconnect (QPI) links (of up to 9.6 GT/s one direction per QPI)

Note: Please install both CPUs for full access to the PCI-E slots, DIMM slots, and onboard controllers. Refer to the block diagram on page 1-10 in the manual to determine which slots or devices may be affected. Please populate CPU socket 1 first.

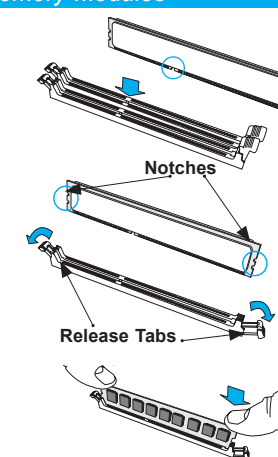
Memory Support

This motherboard supports up to 1024 GB of Load Reduced (LRDIMM) or 256 GB of Registered (RDIMM) DDR4 (288-pin) ECC 2400 MHz (max.) modules in eight slots. Memory speed support depends on the CPUs installed in the motherboard. For the latest memory updates, please refer to our website at <http://www.supermicro.com/products/motherboard>.

Populating RDIMM/LRDIMM ECC Memory Modules

Populating RDIMM/LRDIMM DDR4 Memory Modules for the E5-2600v3-based Motherboard

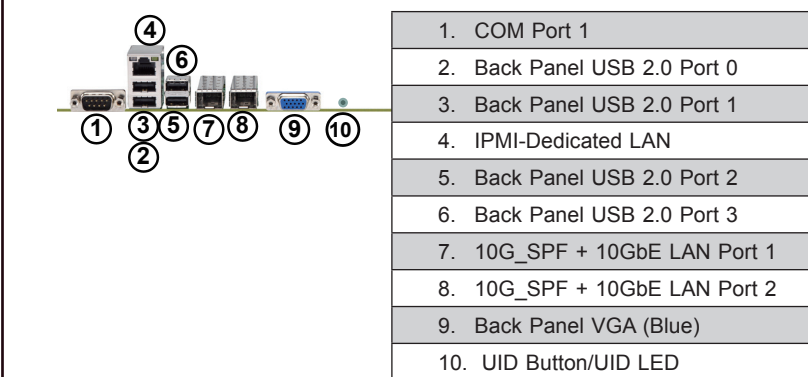
| Type | Module Part Number | DIMM Capacity (GB) | | Speed (MT/s) at Voltage (V) | |
|--------|--------------------|--------------------|---------------------|-----------------------------|------------|
| | | 1 Slot Per Channel | 2 Slots Per Channel | 100% (ECC) | 100% (ECC) |
| RDIMM | 8GB | 8GB | 16GB | 2133 | 2133 |
| | 16GB | 16GB | 32GB | 2133 | 2133 |
| LRDIMM | 8GB | 8GB | 16GB | 2133 | 2133 |
| | 16GB | 16GB | 32GB | 2133 | 2133 |



Populating RDIMM/LRDIMM DDR4 Memory Modules for the E5-2600v4-based Motherboard

| Type | Module Part Number | DIMM Capacity (GB) | | Speed (MT/s) at Voltage (V) | |
|--------|--------------------|--------------------|---------------------|-----------------------------|------------|
| | | 1 Slot Per Channel | 2 Slots Per Channel | 100% (ECC) | 100% (ECC) |
| RDIMM | 8GB | 8GB | 16GB | 2400 | 2400 |
| | 16GB | 16GB | 32GB | 2400 | 2400 |
| LRDIMM | 8GB | 8GB | 16GB | 2400 | 2400 |
| | 16GB | 16GB | 32GB | 2400 | 2400 |

Back Panel I/O Connectors

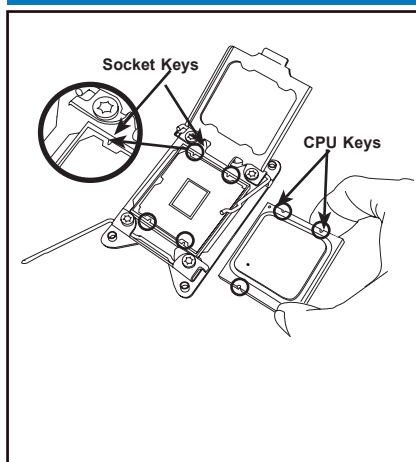


LED Indicators

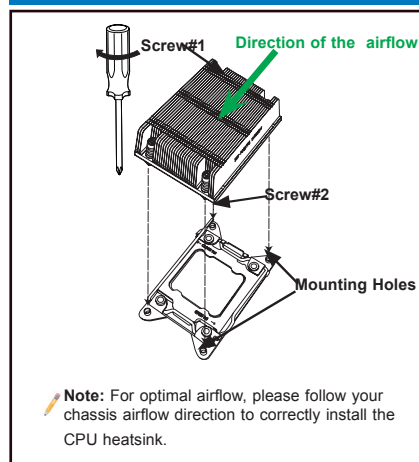
| LED | Description | State | Status |
|-------|-------------------------|-----------------|------------------|
| LED1 | Rear UID LED | Blue: On | Unit Identified |
| LED3 | SFP+/LAN1 Activity LED | Green: Blinking | SFP+/LAN1 Active |
| LED4 | SFP+/LAN1 Heartbeat LED | Green: Blinking | SFP+/LAN1 Normal |
| LED5 | SFP+/LAN2 Activity LED | Green: Blinking | SFP+/LAN2 Active |
| LED6 | SFP+/LAN1 Heartbeat LED | Green: Blinking | SFP+/LAN2 Normal |
| LEDM1 | BMC Heartbeat LED | Green: Blinking | BMC Normal |

Note: Refer to Chapter 2 of the user manual for detailed information on memory support and CPU/motherboard installation instructions.

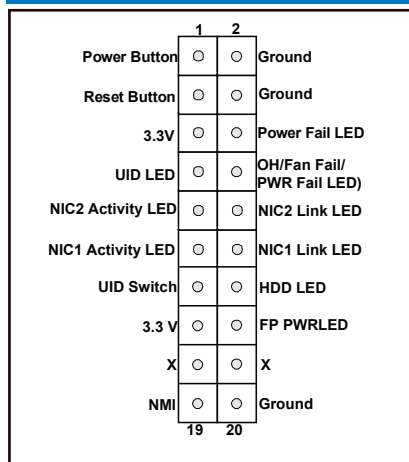
CPU Installation



Heatsink Installation



Front Control Panel (JF1)



Note: Graphics shown in this quick reference guide are for illustration only. Your components may or may not look exactly the same as the drawings shown in this guide.