

CONTACT INFORMATION

- Website: www.supermicro.com
- General Information: marketing@supermicro.com
- Tech Support: support@supermicro.com
- Phone: +1 (408) 503-8000, Fax: +1 (408) 503-8008

FOR YOUR SYSTEM TO WORK PROPERLY, PLEASE DOWNLOAD APPROPRIATE DRIVERS/IMAGES/USER'S MANUAL FROM THE LINKS BELOW:

- Manuals: <http://www.supermicro.com/support/manuals/>
- Drivers & Utilities: <http://www.supermicro.com/wftp>
- Safety: http://www.supermicro.com/about/policies/safety_information.cfm

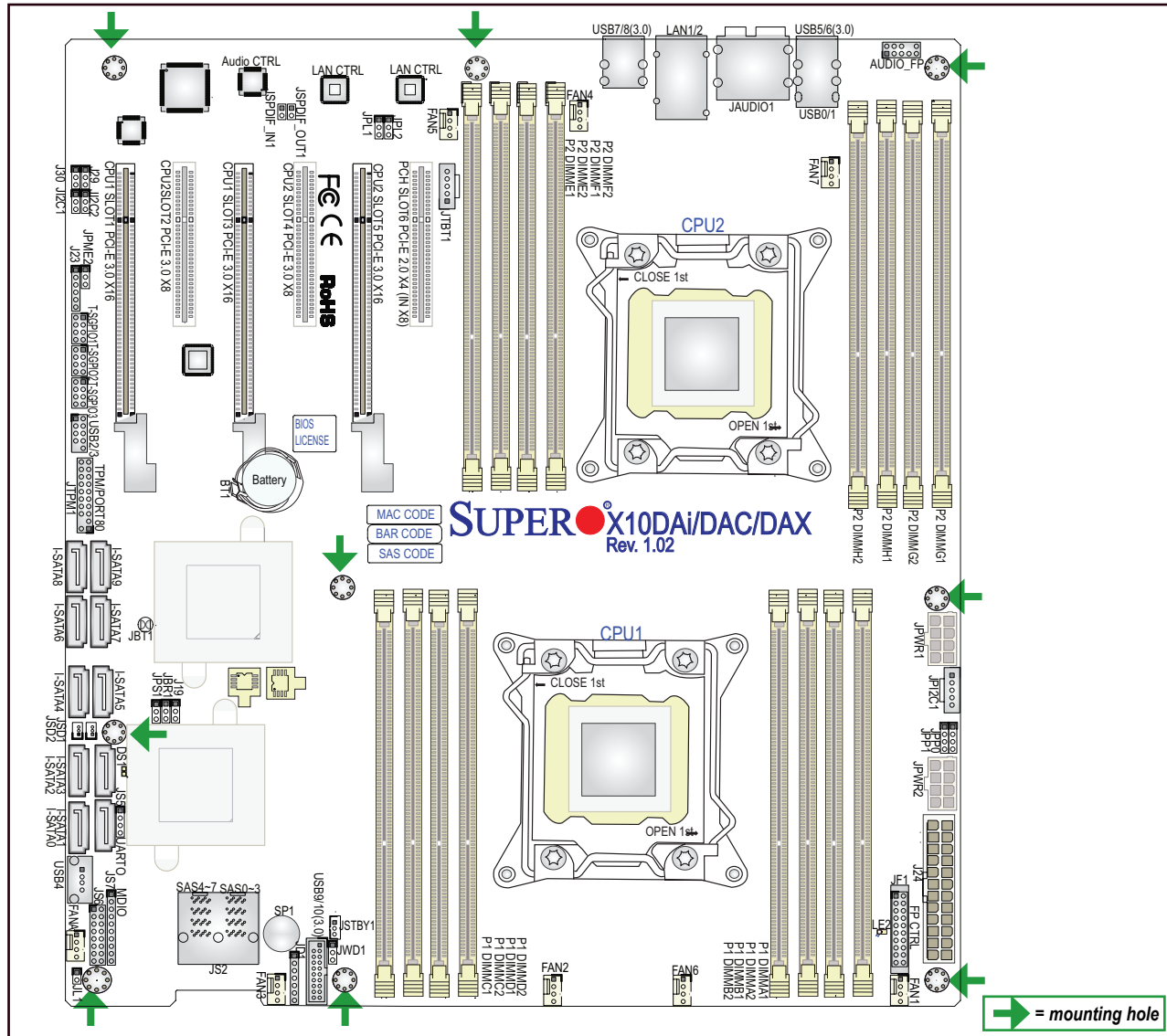
PACKAGE CONTENTS

- One (1) Supermicro Motherboard
- One (1) I/O Shield (MCP-260-00045-1N)
- One (1) Quick Reference Guide
- Six (6) SATA Cables (For X10DAi/X10DAX)
- Two (2) SATA Cables (For X10DAC)
- Two (2) SAS Cables (For X10DAC)



WARNING: This product can expose you to chemicals including lead, known to the State of California to cause cancer and birth defects or other reproductive harm. For more information, go to www.P65Warnings.ca.gov.

Motherboard Layout and Features



Jumpers and Connectors

Jumpers		
Jumper	Description	Default Setting
JBT1	Clear CMOS	See Chapter 2
J12C1/J12C2	SMBus to PCI-E Slots	Pins 2-3 (Normal)
JPL1	GLAN1 & GLAN2 Enable/Disable	Pins 1-2 (Enabled)
JPL2	GLAN2 Enable/Disable	Pins 1-2 (Enabled)
JPME2	Manufacture Mode Select	Pins 1-2 (ME Mode)
JPS1 (X10DAC Only)	SAS Enable	Pins 1-2 (Enabled)
JWD1	Watch Dog	Pins 1-2 (Reset)

Connectors			
Connector	Description		
Audio_FP (JA1)	Audio Connector for Front Access		
JAudio1	7.1 HD (8-channel High-Definition) Audio Connector		
BT1	Onboard CMOS Battery (See Chapter 3 for Used Battery Disposal)		
CPU1 Slot1/Slot3	PCI-E 3.0 x16 Slots (Note: CPU1 has to be installed.)		
CPU2 Slot5	PCI-E 3.0 x16 Slot (This slot is available when CPU2 is installed.)		
CPU2 Slot2	PCI-E 3.0 x8 Slot (This slot is available when CPU2 is installed.)		
CPU2 Slot4	PCI-E 3.0 x8 Slot (The slots are available when CPU2 is installed.)		
PCH Slot6	PCI-E 2.0 x4 in x8 Slot		
FAN1-7, FANA	CPU/System Fan Headers		
J24	ATX 24-Pin Power Connector (See Warning on Page 1-6.)		
JD1	Speaker/Power LED Indicator		
JF1	Front Panel Control Header		
JL1	Chassis Intrusion		
JPI2C1	Power Supply SMBbus I2C Header		
JPWR1/JPWR2	12V 8-Pin Power Connectors (See Warning on Page 1-6.)		
JSD1/JSD2	SATA DOM (Device_On_Module) Power Connectors		
JSPDIF_In	SPDIF_(Sony/Philips Digital Interface)_In Header		
JSPDIF_Out	SPDIF_(Sony/Philips Digital Interface)_Out Header		
JTBT1	GPIO Header for Thunderbolt Add-on Card		
JTPM1	TPM (Trusted Platform Module)/Port 80 Header		
LAN1/LAN2	G-bit Ethernet Ports 1/2		
I-SATA0-9	Serial_Link ATA Connections 0-9 supported by Intel PCH		
SAS0-3, 4-7 (JS2)	Serial_Link SCSI Connections 0-3, 4-7 supported by LSI SAS Controller		
SP1	Onboard Buzzer (Internal Speaker)		
STBY1	Standby Power Header		
T-SGPIO 1/2/3	Serial-Link General_Purpose IO Headers 1/2/3		
USB 5/6 (3.0)	Rear USB 3.0 Ports 5/6		
USB 7/8 (3.0)	Rear USB 3.0 Ports 7/8		
USB 9/10 (3.0)	Front-accessible USB 3.0 Connections 9/10		
USB 0/1	Rear USB 2.0 Connections 0/1		
USB 2/3	Front-accessible USB 2.0 Connections 2/3		
USB 4	Type A USB 2.0 Connector USB 4		
LED Indicators			
LED	Description	State	Status
DS2 (X10DAC Only)	SAS Heartbeat LED	Green: Blinking	SAS: Normal
LE2	Standby PWR LED	Green: On	SB Power On

Note: Refer to Chapter 1 of the user manual for detailed information on jumpers, connectors, and LED indicators.

CPU Support

Dual Intel® E5-2600v3/v4 Series Processors (Socket R3-LGA 2011); each processor supports dual full-width Intel QuickPath Interconnect (QPI) links (of up to 9.6 GT/s one direction per QPI).

Memory Support

This motherboard supports up to 2048 GB of Registered (RDIMM)/Load Reduced (LRDIMM) ECC DDR4 2133/1866/1600 MHz memory modules in 16 DIMM slots.

Note: Memory speed support is pending on the CPUs installed on the motherboard. For the latest memory updates, please refer to the Tested Memory List posted on our website (<http://www.supermicro.com/products/motherboard>).

Populating DDR4 RDIMM/LRDIMM Memory Modules

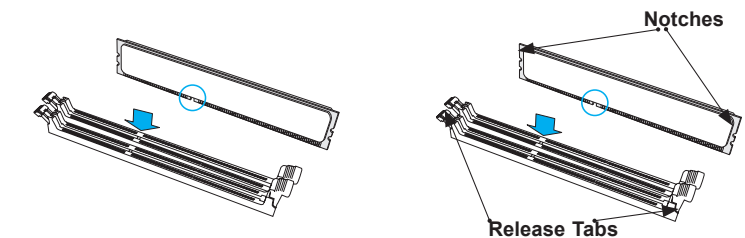
Populating RDIMM/LRDIMM DDR4 Memory Modules for the E5-2600v3-based Motherboard

Type	Ranks Per DIMM and Data Width	DIMM Capacity (GB)		Speed (MT/s); Voltage (V); Slot Per Channel (SPC) and DIMM Per Channel (DPC)		
		4Gb	8Gb	1 Slot Per Channel	2 Slots Per Channel	3 Slots Per Channel
RDIMM	SRx4	8GB	16GB	2133	2133	1866
RDIMM	SRx8	4GB	8GB	2133	2133	1866
RDIMM	DRx8	8GB	16GB	2133	2133	1866
RDIMM	DRx4	16GB	32GB	2133	2133	1866
LRDIMM	QRx4	32GB	64GB	2133	2133	2133
LRDIMM	BRx4	64GB	128GB	2133	2133	2133

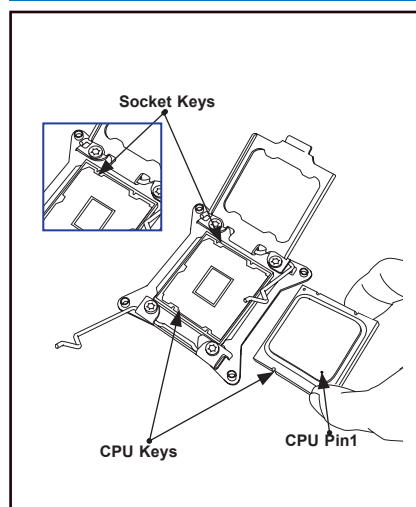
Populating RDIMM/LRDIMM DDR4 Memory Modules for the E5-2600v4-based Motherboard

Type	Ranks Per DIMM and Data Width	DIMM Capacity (GB)		Speed (MT/s); Voltage (V); Slot Per Channel (SPC) and DIMM Per Channel (DPC)		
		4Gb	8Gb	1 Slot Per Channel	2 Slots Per Channel	3 Slots Per Channel
RDIMM	SRx4	8GB	16GB	2400	2400	2133
RDIMM	SRx8	4GB	8GB	2400	2400	2133
RDIMM	DRx8	8GB	16GB	2400	2400	2133
RDIMM	DRx4	16GB	32GB	2400	2400	2133
LRDIMM	QRx4	32GB	64GB	2400	2400	2400
LRDIMM	BRx4	64GB	128GB	2400	2400	2400

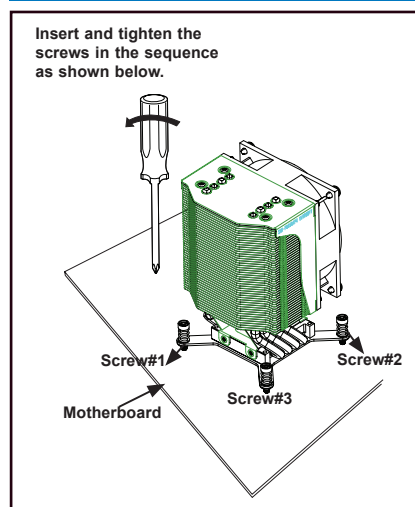
Installing DIMM Memory Modules



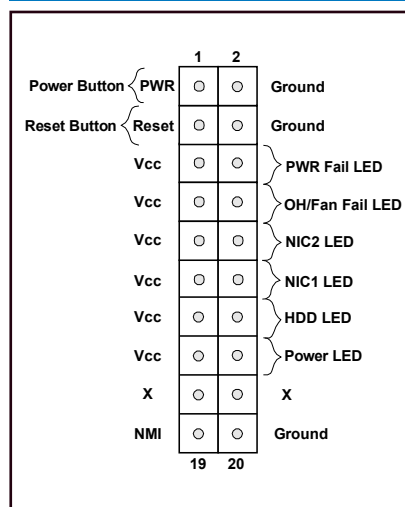
CPU Installation



Heatsink Installation

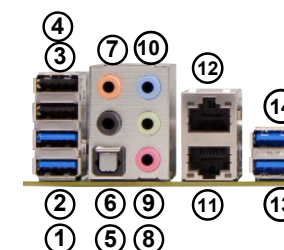


Front Panel Control (JF1)



Note 1: Graphics shown in this quick reference guide are for illustration only. Your components may or may not look exactly the same as the drawings shown here.
Note 2: For optimized airflow, please follow your chassis airflow direction to install the correct CPU heatsink direction.

Back Panel I/O Connectors



1. Rear USB 3.0 Port 5
2. Rear USB 3.0 Port 6
3. Rear USB 2.0 Port 0
4. Rear USB 2.0 Port 1
5. SPDIF_Out
6. Surround_Out
7. CEN/LFE_Out
8. Mic_In
9. Line-Out
10. Line_In
11. Gigabit LAN 1
12. Gigabit LAN 2
13. Rear USB 3.0 Port 7
14. Rear USB 3.0 Port 8

Note: Refer to Chapter 2 of the user manual for detailed information on memory support and CPU/motherboard installation instructions.