



System x

System x3550 M3 Installation and User's Guide



Machine Type: 4254 and 7944

Note

Before using this information and the product it supports, read the general information in Appendix A “Getting help and technical assistance” on page 135, Appendix B “Notices” on page 139, the *Warranty Information* document, and the *Safety Information* and *Environmental Notices and User Guide* documents on the IBM *Documentation CD*.

Twelfth Edition (May 2015)

© Copyright Lenovo 2014.

LIMITED AND RESTRICTED RIGHTS NOTICE: If data or software is delivered pursuant a General Services Administration “GSA” contract, use, reproduction, or disclosure is subject to restrictions set forth in Contract No. GS-35F-05925

Contents

| | | | |
|--|------------|--|------------|
| Safety | iii | Installing a hot-swap hard disk drive | 62 |
| Safety statements | iv | Installing a simple-swap hard disk drive | 63 |
| Chapter 1. The IBM System x3550 M3 server | 1 | Installing an optional DVD drive | 65 |
| The IBM Documentation CD | 3 | Replacing a PCI riser-card assembly | 68 |
| Hardware and software requirements | 3 | Installing an adapter | 70 |
| Using the Documentation Browser | 4 | Replacing a PCI Express assembly with a PCI-X assembly | 73 |
| Related documentation | 4 | Replacing a PCI-X assembly with a PCI Express assembly | 73 |
| Notices and statements in this document | 5 | Installing a ServeRAID SAS/SATA controller on the SAS/SATA RAID riser card | 74 |
| Features and specifications. | 5 | Installing an optional ServeRAID adapter advanced feature key | 80 |
| What your server offers | 8 | Installing a hot-swap fan assembly. | 82 |
| Reliability, availability, and serviceability. | 11 | Installing a hot-swap ac power supply | 84 |
| IBM Systems Director | 12 | Installing a USB embedded hypervisor flash device | 87 |
| The UpdateXpress System Pack Installer | 13 | Installing the virtual media key | 88 |
| Server controls, LEDs, and power | 13 | Installing the optional two-port Ethernet adapter | 89 |
| Front view. | 14 | Installing a RAID adapter battery remotely in the server | 92 |
| Operator information panel | 15 | Installing the DVD enablement kit | 99 |
| Light path diagnostics panel | 16 | Installing a SAS/SATA 4 Pac HDD option | 103 |
| Rear view | 24 | Installing a second microprocessor and heat sink | 107 |
| System pulse LEDs | 29 | Thermal grease | 111 |
| Server power features | 30 | Completing the installation | 112 |
| Chapter 2. Installing optional devices | 33 | Installing the microprocessor 2 air baffle. | 113 |
| Instructions for IBM Business Partners | 33 | Installing the DIMM air baffle | 114 |
| How to send DSA data | 33 | Installing the cover | 114 |
| Server components. | 33 | Connecting the cables. | 115 |
| System-board internal connectors | 35 | Updating the server configuration | 116 |
| System-board external connectors | 36 | Chapter 3. Configuring the server | 117 |
| System-board switches and jumpers | 37 | Using the Setup utility. | 118 |
| System-board LEDs. | 40 | Starting the Setup utility | 118 |
| System-board optional device connectors | 42 | Setup utility menu choices | 119 |
| Installation guidelines | 43 | Passwords | 121 |
| System reliability guidelines. | 44 | Using the Boot Manager program | 124 |
| Working inside the server with the power on | 44 | Starting the backup server firmware | 124 |
| Handling static-sensitive devices | 45 | Using the ServerGuide Setup and Installation CD | 124 |
| Internal cable routing and connectors. | 45 | ServerGuide features | 125 |
| Removing the cover | 51 | Setup and configuration overview | 125 |
| Removing the DIMM air baffle. | 52 | Typical operating-system installation | 126 |
| Removing the microprocessor 2 air baffle | 53 | Installing your operating system without using ServerGuide. | 126 |
| Installing a memory module | 54 | Using the integrated management module. | 126 |
| DIMM installation sequence. | 57 | | |
| Memory mirroring. | 58 | | |
| Online-spare memory | 60 | | |
| Installing a DIMM | 60 | | |
| Installing drives | 61 | | |

| | |
|---|------------|
| Using the remote presence capability and blue-screen capture | 127 |
| Enabling the remote presence feature | 128 |
| Obtaining the IP address for the IMM | 128 |
| Logging on to the Web interface | 129 |
| Using the embedded hypervisor | 129 |
| Recovering the flash device image | 130 |
| Enabling the Broadcom Gigabit Ethernet Utility program | 130 |
| Configuring the Gigabit Ethernet controller | 131 |
| Using the LSI Configuration Utility program | 131 |
| Starting the LSI Configuration Utility program | 132 |
| Formatting a hard disk drive | 132 |
| Creating a RAID array of hard disk drives | 132 |
| IBM Advanced Settings Utility program | 133 |
| Updating Systems Director | 133 |
| Installing a newer version | 133 |
| Installing updates with your management server is connected to the Internet | 134 |
| Installing updates with your management server is not connected to the Internet | 134 |
| The UpdateXpress System Pack Installer | 134 |
| Appendix A. Getting help and technical assistance | 135 |
| Before you call | 135 |
| Using the documentation | 136 |
| Getting help and information from the World Wide Web | 136 |
| How to send DSA data | 136 |
| Creating a personalized support web page | 136 |
| Software service and support | 136 |

| | |
|---|------------|
| Hardware service and support | 137 |
| Taiwan product service | 137 |
| Appendix B. Notices | 139 |
| Trademarks | 140 |
| Important notes | 140 |
| Recycling information | 140 |
| Particulate contamination | 141 |
| Telecommunication regulatory statement | 141 |
| Electronic emission notices | 141 |
| Federal Communications Commission (FCC) statement | 141 |
| Industry Canada Class A emission compliance statement | 142 |
| Avis de conformité à la réglementation d'Industrie Canada | 142 |
| Australia and New Zealand Class A statement | 142 |
| European Union EMC Directive conformance statement | 142 |
| Germany Class A statement | 142 |
| Japan VCCI Class A statement | 143 |
| Japan Electronics and Information Technology Industries Association (JEITA) statement | 143 |
| Korea Communications Commission (KCC) statement | 144 |
| Russia Electromagnetic Interference (EMI) Class A statement | 144 |
| People's Republic of China Class A electronic emission statement | 144 |
| Taiwan Class A compliance statement | 144 |
| Index | 145 |

Перед установкой продукта прочтите инструкции по технике безопасности.

Pred inštaláciou tohto zariadenia si pečítajte Bezpečnostné predpisy.

Pred namestitvijo tega proizvoda preberite Varnostne informacije.

Antes de instalar este producto, lea la información de seguridad.

Läs säkerhetsinformationen innan du installerar den här produkten.

ཐོན་ཁུངས་འདི་བདེ་སྐྱོད་མ་བྱས་གོང་། རྒྱུ་རྒྱུ་ཡིད་གཟབ་
བྱ་འདྲ་མིན་ཡིད་པའི་འོད་ལྡེར་བལྟ་དགོས།

Bu ürünü kurmadan önce güvenlik bilgilerini okuyun.

مەزكۇر مەھسۇلاتنى ئورنىتىشتىن بۇرۇن بىخەتەرلىك ئۇچۇرلىرىنى ئوقۇپ چىقىڭ.

Youq mwngz yungh canjbinj neix gaxgonq, itdingh aeu doeg aen
canjbinj soengq cungj vahgangj ancien siusik.

Safety statements

These statements provide the caution and danger information that is used in this documentation.

Important: Each caution and danger statement in this documentation is labeled with a number. This number is used to cross reference an English-language caution or danger statement with translated versions of the caution or danger statement in the *Safety Information* document.

For example, if a caution statement is labeled Statement 1, translations for that caution statement are in the *Safety Information* document under Statement 1.

Be sure to read all caution and danger statements in this documentation before you perform the procedures. Read any additional safety information that comes with your system or optional device before you install the device.

Statement 1



Electrical current from power, telephone, and communication cables is hazardous.

To avoid a shock hazard:

- **Do not connect or disconnect any cables or perform installation, maintenance, or reconfiguration of this product during an electrical storm.**
- **Connect all power cords to a properly wired and grounded electrical outlet.**
- **Connect to properly wired outlets any equipment that will be attached to this product.**
- **When possible, use one hand only to connect or disconnect signal cables.**

- Never turn on any equipment when there is evidence of fire, water, or structural damage.
- Disconnect the attached power cords, telecommunications systems, networks, and modems before you open the device covers, unless instructed otherwise in the installation and configuration procedures.
- Connect and disconnect cables as described in the following table when installing, moving, or opening covers on this product or attached devices.

| To Connect: | To Disconnect: |
|---|---|
| 1. Turn everything OFF. | 1. Turn everything OFF. |
| 2. First, attach all cables to devices. | 2. First, remove power cords from outlet. |
| 3. Attach signal cables to connectors. | 3. Remove signal cables from connectors. |
| 4. Attach power cords to outlet. | 4. Remove all cables from devices. |
| 5. Turn device ON. | |

Statement 2



CAUTION:

When replacing the lithium battery, use only Part Number 33F8354 or an equivalent type battery recommended by the manufacturer. If your system has a module containing a lithium battery, replace it only with the same module type made by the same manufacturer. The battery contains lithium and can explode if not properly used, handled, or disposed of. *Do not:*

- Throw or immerse into water
- Heat to more than 100°C (212°F)
- Repair or disassemble

Dispose of the battery as required by local ordinances or regulations.

Statement 3



CAUTION:

When laser products (such as CD-ROMs, DVD drives, fiber optic devices, or transmitters) are installed, note the following:

- Do not remove the covers. Removing the covers of the laser product could result in exposure to hazardous laser radiation. There are no serviceable parts inside the device.
- Use of controls or adjustments or performance of procedures other than those specified herein might result in hazardous radiation exposure.





Some laser products contain an embedded Class 3A or Class 3B laser diode. Note the following.

Laser radiation when open. Do not stare into the beam, do not view directly with optical instruments, and avoid direct exposure to the beam.

Class 1 Laser Product
Laser Klasse 1
Laser Klass 1
Luokan 1 Laserlaite
Appareil À Laser de Classe 1

Statement 4



CAUTION: Use safe practices when lifting.



≥ 18 kg (39.7 lb)



≥ 32 kg (70.5 lb)



≥ 55 kg (121.2 lb)

Statement 5



CAUTION:

The power control button on the device and the power switch on the power supply do not turn off the electrical current supplied to the device. The device also might have more than one power cord. To remove all electrical current from the device, ensure that all power cords are disconnected from the power source.



Statement 6



CAUTION:

If you install a strain-relief bracket option over the end of the power cord that is connected to the device, you must connect the other end of the power cord to an easily accessible power source.

Statement 8



CAUTION:

Never remove the cover on a power supply or any part that has the following label attached.



Hazardous voltage, current, and energy levels are present inside any component that has this label attached. There are no serviceable parts inside these components. If you suspect a problem with one of these parts, contact a service technician.

Statement 12



CAUTION:

The following label indicates a hot surface nearby.



Statement 26



CAUTION:

Do not place any object on top of rack-mounted devices.



Rack Safety Information, Statement 2



 **DANGER**

- **Always lower the leveling pads on the rack cabinet.**
- **Always install stabilizer brackets on the rack cabinet.**
- **Always install servers and optional devices starting from the bottom of the rack cabinet.**
- **Always install the heaviest devices in the bottom of the rack cabinet.**

Chapter 1. The IBM System x3550 M3 server

This publication contains information and instructions for setting up your IBM System x3550 M3 server, instructions for installing some optional devices, cabling and configuring the server, removing and replacing devices, and diagnostics and troubleshooting information.

In addition to the instructions in Chapter 2 “Installing optional devices” on page 33 for installing optional hardware devices, updating firmware and device drivers, and completing the installation, IBM Business Partners must also complete the steps in “Instructions for IBM Business Partners” on page 33.

The IBM System x3550 M3 Type 4254 and 7944 server is a 1-U-high¹ rack model server for high-volume network transaction processing. This high-performance, multi-core server is ideally suited for networking environments that require superior microprocessor performance, input/output (I/O) flexibility, and high manageability.

Performance, ease of use, reliability, and expansion capabilities were key considerations in the design of the server. These design features make it possible for you to customize the system hardware to meet your needs today and provide flexible expansion capabilities for the future.

The server comes with a limited warranty. For information about the terms of the warranty, see the *Warranty Information* document that comes with the server.

The server contains IBMX-Architecture technologies, which help increase performance and reliability. For more information, see “What your server offers” on page 8 and “Reliability, availability, and serviceability” on page 11.

You can obtain up-to-date information about the server and other IBM server products at <http://www.ibm.com/systems/x/>. At <http://www.ibm.com/support/mysupport/>, you can create a personalized support page by identifying IBM products that are of interest to you. From this personalized page, you can subscribe to weekly email notifications about new technical documents, search for information and downloads, and access various administrative services.

If you participate in the IBM client reference program, you can share information about your use of technology, best practices, and innovative solutions; build a professional network; and gain visibility for your business. For more information about the IBM client reference program, see <http://www.ibm.com/ibm/clientreference/>.

If firmware and documentation updates are available, you can download them from the IBM website. The server might have features that are not described in the documentation that comes with the server, and the documentation might be updated occasionally to include information about those features, or technical updates might be available to provide additional information that is not included in the server documentation. To check for updates, go to <http://www.ibm.com/supportportal/>.

Note: The illustrations in this document might differ slightly from your model.

The hot-swap server models support up to eight 2.5-inch hot-swap SAS/SATA hard disk drives. The simple-swap server models support up to four 2.5-inch simple-swap SATA hard disk drives. The following illustration shows the hot-swap server model.

1. Racks are marked in vertical increments of 1.75 inches each. Each increment is referred to as a unit, or a “U”. A 1-U-high device is approximately 1.75 inches tall.

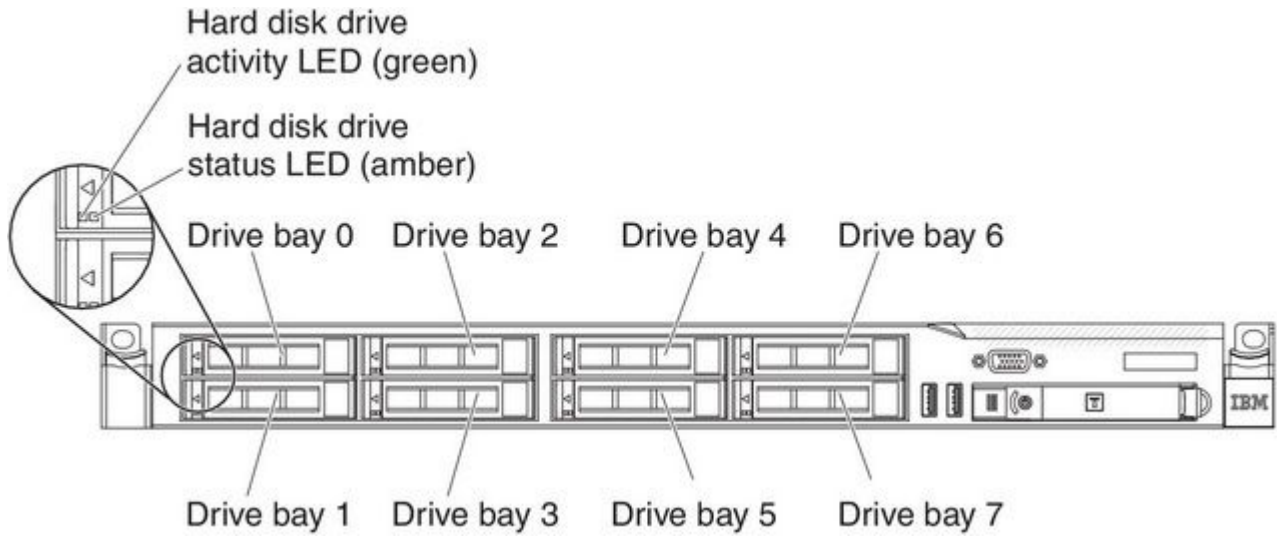


Figure 1. Front view: 2.5-inch model

On server models with an optional optical drive bay, the servers support up to four 2.5-inch simple-swap SATA or hot-swap SAS/SATA hard disk drives.

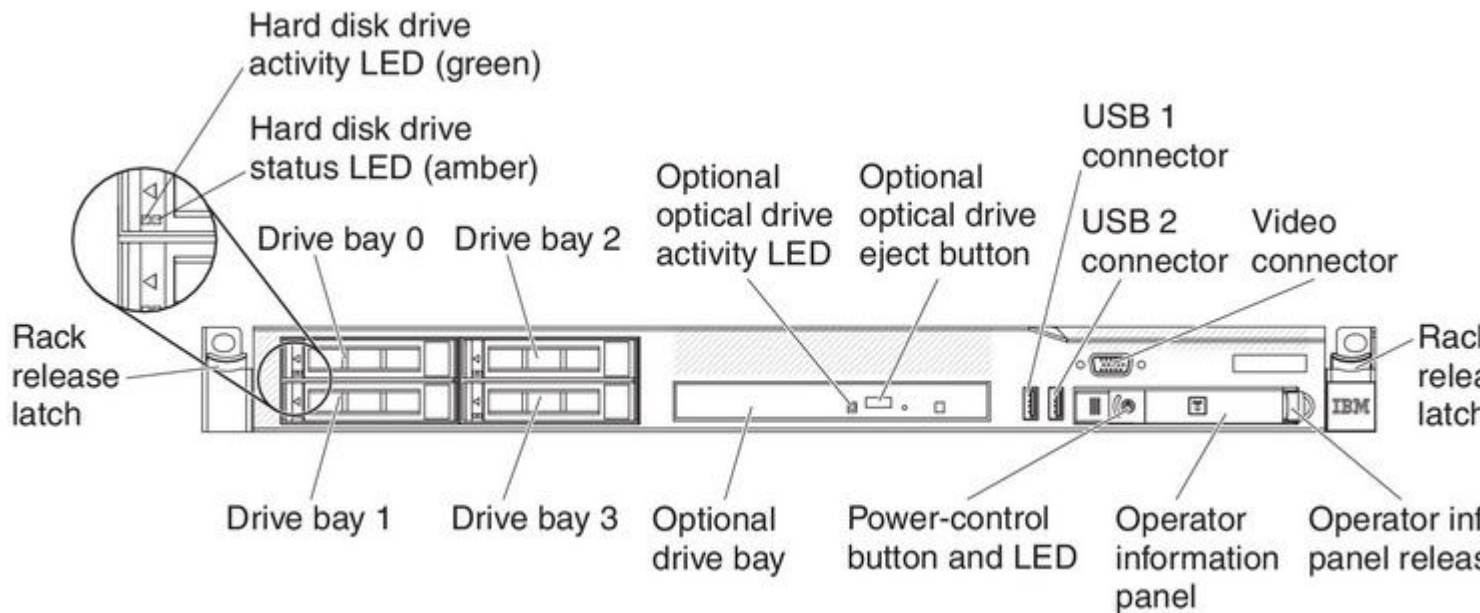


Figure 2. Front view: 2.5-inch model with optical drive bay

If firmware and documentation updates are available, you can download them from the IBM Web site. The server might have features that are not described in the documentation that comes with the server, and the documentation might be updated occasionally to include information about those features, or technical updates might be available to provide additional information that is not included in the server documentation. To check for updates, go to <http://www.ibm.com/supportportal/>.

Record information about the server in the following table.

| | |
|----------------------|----------------------------|
| Product name | IBM System x3550 M3 server |
| Machine type | 4254 or 7944 |
| Model number | _____ |
| Serial number | _____ |

The model number and serial number are on the ID label on the front of the server, as shown in the following illustration.

Note: The illustrations in this document might differ slightly from your hardware.

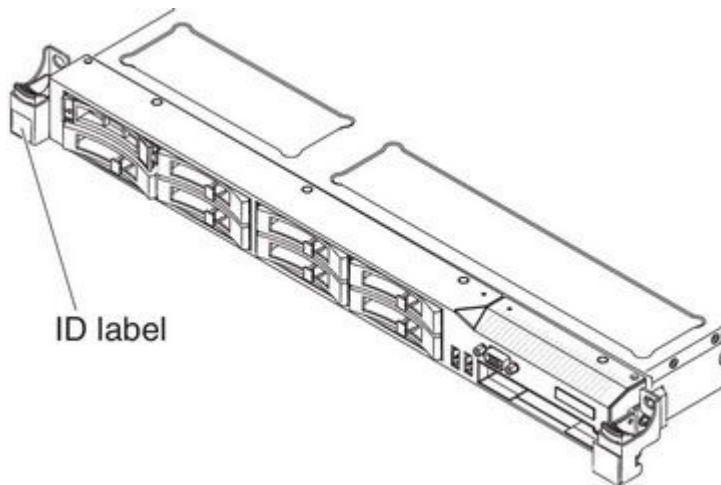


Figure 3. ID label

You can download an IBM *ServerGuide Setup and Installation* CD to help you configure the hardware, install device drivers, and install the operating system.

For a list of supported optional devices for the server, see <http://www.ibm.com/systems/info/x86servers/serverproven/compat/us/>.

See the *Rack Installation Instructions* document on the IBM *System x Documentation* CD for complete rack installation and removal instructions.

The IBM Documentation CD

The IBM *Documentation* CD contains documentation for the server in Portable Document Format (PDF) and includes the IBM Documentation Browser to help you find information quickly.

Hardware and software requirements

The IBM *Documentation* CD requires the following minimum hardware and software:

- Microsoft Windows XP, Windows 2000, or Red Hat Linux
- 100 MHz microprocessor
- 32 MB of RAM
- Adobe Acrobat Reader 3.0 (or later) or xpdf, which comes with Linux operating systems

Using the Documentation Browser

Use the Documentation Browser to browse the contents of the CD, read brief descriptions of the documents, and view documents, using Adobe Acrobat Reader or xpdf.

The Documentation Browser automatically detects the regional settings in use in your server and displays the documents in the language for that region (if available). If a document is not available in the language for that region, the English-language version is displayed.

Use one of the following procedures to start the Documentation Browser:

- If Autostart is enabled, insert the CD into the CD or DVD drive. The Documentation Browser starts automatically.
- If Autostart is disabled or is not enabled for all users, use one of the following procedures:
 - If you are using a Windows operating system, insert the CD into the CD or DVD drive and click **Start → Run**. In the **Open** field, type
`e:\win32.bat`
where *e* is the drive letter of the CD or DVD drive, and click **OK**.
 - If you are using Red Hat Linux, insert the CD into the CD or DVD drive; then, run the following command from the `/mnt/cdrom` directory:
`sh runlinux.sh`

Select the server from the **Product** menu. The **Available Topics** list displays all the documents for the server. Some documents might be in folders. A plus sign (+) indicates each folder or document that has additional documents under it. Click the plus sign to display the additional documents.

When you select a document, a description of the document is displayed under **Topic Description**. To select more than one document, press and hold the `Ctrl` key while you select the documents. Click **View** to view the selected document or documents in Acrobat Reader or xpdf. If you selected more than one document, all the selected documents are opened in Acrobat Reader or xpdf.

To search all the documents, type a word or word string in the **Search** field and click **Search**. The documents in which the word or word string appears are listed in order of the most occurrences. Click a document to view it, and press `Ctrl+F` to use the Acrobat search function, or press `Alt+F` to use the xpdf search function within the document.

Click **Help** for detailed information about using the Documentation Browser.

Related documentation

This publication contains general information about the server including how to set up and cable the server, how to install supported optional devices, how to configure the server, and information to help you solve problems yourself and information for service technicians. The following documentation also comes with the server:

- *Environmental Notices and User Guide*This document is in PDF format on the *IBM Documentation* CD. It contains translated environmental notices.
- *IBM License Agreement for Machine Code*This document is in PDF format on the *IBM Documentation* CD. It provides translated versions of the *IBM License Agreement for Machine Code* for your product.
- *Important Notices*This document is in printed format and comes with the server. It contains information about the safety, environmental, and electronic emission notices for your IBM product.
- *Licenses and Attributions Documents*This document is in PDF format on the *IBM Documentation* CD. It provides the open source notices.

- *Rack Installation Instructions* This printed document contains instructions for installing the server in a rack and comes with the rack kit.
- *Rack Safety Information* This multilingual document provides translated versions of the caution and danger statements that appear in the rack documentation. Each caution and danger statement has an assigned number, which you can use to locate the corresponding statement in your native language.
- *Safety Information* This document is in PDF format on the IBM *Documentation* CD. It contains translated caution and danger statements. Each caution and danger statement that appears in the documentation has a number that you can use to locate the corresponding statement in your language in the *Safety Information* document.
- *Safety Information Labels* This document provides the Simplified Chinese, Mongolian, Tibetan, Uyghur, and Zhuang translated versions of the product safety labels.
- *Warranty Information* This document is in printed format and comes with the server. It contains warranty terms and a pointer to the IBM Statement of Limited Warranty on the IBM website.

Depending on the server model, additional documentation might be included on the IBM *Documentation* CD.

The ToolsCenter for System x and BladeCenter is an online information center that contains information about tools for updating, managing, and deploying firmware, device drivers, and operating systems. The ToolsCenter for System x and BladeCenter is at <http://publib.boulder.ibm.com/infocenter/toolsctr/v1r0/>.

The server might have features that are not described in the documentation that you received with the server. The documentation might be updated occasionally to include information about those features, or technical updates might be available to provide additional information that is not included in the server documentation. These updates are available from the IBM website. To check for updates, go to <http://www.ibm.com/supportportal/>.

Notices and statements in this document

The caution and danger statements in this document are also in the multilingual *Safety Information* document, which is on the IBM *System x Documentation* CD. Each statement is numbered for reference to the corresponding statement in your language in the *Safety Information* document.

The following notices and statements are used in this document:

- **Note:** These notices provide important tips, guidance, or advice.
- **Important:** These notices provide information or advice that might help you avoid inconvenient or problem situations.
- **Attention:** These notices indicate potential damage to programs, devices, or data. An attention notice is placed just before the instruction or situation in which damage might occur.
- **Caution:** These statements indicate situations that can be potentially hazardous to you. A caution statement is placed just before the description of a potentially hazardous procedure step or situation.
- **Danger:** These statements indicate situations that can be potentially lethal or extremely hazardous to you. A danger statement is placed just before the description of a potentially lethal or extremely hazardous procedure step or situation.

Features and specifications

The following information is a summary of the features and specifications of the server.

Depending on the server model, some features might not be available, or some specifications might not apply.

Table 1. Features and specifications

| | | |
|--|---|---|
| <p>Microprocessor:</p> <ul style="list-style-type: none"> • Supports up to two Intel Xeon™ multi-core microprocessors (one installed) • Level-3 cache • QuickPath Interconnect (QPI) links speed up to 6.4 GT per second <p>Notes:</p> <ul style="list-style-type: none"> • Do not install an Intel Xeon™ 5500 series microprocessor and an Xeon™ 5600 series microprocessor in the same server. • Use the Setup utility program to determine the type and speed of the microprocessors. • For a list of supported microprocessors, see http://www.ibm.com/systems/info/x86servers/server/prod/compat/us/. <p>Memory:</p> <ul style="list-style-type: none"> • Minimum: 2 GB • Maximum: 288 GB <ul style="list-style-type: none"> – 48 GB using unbuffered DIMMs (UDIMMs) – 288 GB using registered DIMMs (RDIMMs) • Type: PC3-10600R-999, 800, 1066, and 1333 MHz, ECC, DDR3 registered or unbuffered SDRAM DIMMs • Slots: 18 dual inline • Supports (depending on the model): <ul style="list-style-type: none"> – 2 GB and 4 GB unbuffered DIMMs – 2 GB, 4 GB, 8 GB, and 16 GB registered DIMMs <p>SATA optical drives (optional):</p> <ul style="list-style-type: none"> • DVD-ROM • Multi-burner <p>Hot-swap fans:</p> <p>The server comes standard with five dual-motor hot-swap fans.</p> | <p>Hard disk drive expansion bays (depending on the model):</p> <ul style="list-style-type: none"> • Up to eight 2.5-inch hot-swap SAS or hot-swap SATA hard disk drive bays • Up to four 2.5-inch hot-swap SAS/SATA or simple-swap SATA hard disk drive bays (on server models with an optional optical drive bay) <p>PCI expansion slots:</p> <p>Supports two PCI riser slots:</p> <ul style="list-style-type: none"> • Slot 1 supports low-profile cards (PCI Express Gen2 x16 or PCI-X 1.0a 64-bit/133 MHz). • Slot 2 supports half-length, full-height cards (PCI Express Gen2 x16 or PCI-X 1.0a 64-bit/133 MHz). <p>Video controller (integrated into IMM):</p> <ul style="list-style-type: none"> • Matrox G200eV (two analog ports - one front and one rear that can be connected at the same time) <p>Note: The maximum video resolution is 1600 x 1200 at 75 Hz.</p> <ul style="list-style-type: none"> – SVGA compatible video controller – DDR2 250 MHz SDRAM video memory controller – Avocent Digital Video Compression – 16 MB of video memory (not expandable) | <p>Power supply:</p> <ul style="list-style-type: none"> • Maximum of two hot-swap power supplies for redundancy support <ul style="list-style-type: none"> – 460-watt ac – 675-watt ac – 675-watt high-efficiency ac – 675-watt dc <p>Note: You cannot mix 460-watt and 675-watt power supplies, high-efficiency and non-high-efficiency power supplies, or ac and dc power supplies in the server.</p> <p>Environment:</p> <ul style="list-style-type: none"> • Air temperature: <ul style="list-style-type: none"> – Server on: 10°C to 35°C (50°F to 95°F); altitude: 0 to 914.4 m (3000 ft), decrease system temperature by 1.0°C for every 1000-foot increase in altitude – Server off: 5°C to 45°C (41°F to 113°F); maximum altitude: 3048 m (10000 ft) – Shipment: -40°C to 60°C (-40°F to 140°F); maximum altitude: 3048 m (10000 ft) • Humidity: <ul style="list-style-type: none"> – Server on: 20% to 80%; maximum dew point: 21°C; maximum rate of change: 5 °C/hr – Server off: 8% to 80%; maximum dew point: 27°C • Particulate contamination: <p>Attention: Airborne particulates and reactive gases acting alone or in combination with other environmental factors such as humidity or temperature might pose a risk to the server. For information about the limits for particulates and gases, see “Particulate contamination” on page 141.</p> <p>Heat output:</p> <p>Approximate heat output:</p> <ul style="list-style-type: none"> • Minimum configuration: 662 Btu per hour (194 watts) • Maximum configuration: 2302 Btu per hour (675 watts) |
| <p>Integrated functions:</p> <ul style="list-style-type: none"> • Integrated Management Module (IMM), which provides service processor control and monitoring functions, video controller, and | <p>RAID controllers (depending on the model):</p> <ul style="list-style-type: none"> • A ServeRAID-BR10iL v2 SAS/SATA adapter that provides | <p>Electrical input:</p> <ul style="list-style-type: none"> • Sine-wave input (47 - 63 Hz) required • Input voltage low range: <ul style="list-style-type: none"> – Minimum: 100 V ac |

Table 1. Features and specifications (continued)

| | | |
|---|--|--|
| <p>(when the optional virtual media key is installed) remote keyboard, video, mouse, and remote hard disk drive capabilities</p> <ul style="list-style-type: none"> • Broadcom BCM5709 Gb Ethernet controller with TCP/IP Offload Engine (TOE) and Wake on LAN support • Five Universal Serial Bus (USB) 2.0 ports (two front and two rear of the chassis, and one on the SAS/SATA RAID riser card in which the optional USB flash device with embedded hypervisor software is installed) • Four Ethernet ports (two on system board and two additional ports when the optional IBM Dual-Port 1 Gb Ethernet Daughter Card is installed) • One System Management RJ-45 on the rear to connect to a systems management network. This system management connector is dedicated to the IMM functions. This connector is active with or without the optional IBM Virtual Media Key installed. • One serial port | <p>RAID levels 0, 1, and 1E (comes standard on some hot-swap models).</p> <ul style="list-style-type: none"> • An optional ServeRAID-BR10i SAS/SATA adapter that provides RAID levels 0, 1, and 1E can be ordered. • An optional ServeRAID-MR10i SAS/SATA adapter that provides RAID levels 0, 1, 5, 6, 10, 50, and 60 can be ordered. • An optional ServerRAID M1015 SAS/SATA adapter that provides RAID levels 0, 1, and 10 with optional RAID 5/50 and SED (Self Encrypting Drive) upgrade. • An optional ServeRAID M5014 SAS/SATA adapter that provides RAID levels 0, 1, 5, 10 and 50 with optional RAID 6/60 and SED upgrade. • An optional ServeRAID M5015 SAS/SATA adapter that provides RAID levels 0, 1, 5, 10, and 50 with optional RAID 6/60 and SED upgrade. <p>Size:</p> <ul style="list-style-type: none"> • 1U • Height: 43 mm (1.7 inches) • Depth: 711 mm (28.0 inches) • Width: 440 mm (17.3 inches) • Weight: approximately 15.9 kg (35.1 lb) when fully configured <p>Acoustical noise emissions:</p> <ul style="list-style-type: none"> • Sound power, idling: 6.1 bels maximum • Sound power, operating: 6.1 bels maximum | <ul style="list-style-type: none"> – Maximum: 127 V ac • Input voltage high range: <ul style="list-style-type: none"> – Minimum: 200 V ac – Maximum: 240 V ac • Input kilovolt-amperes (kVA), approximately: <ul style="list-style-type: none"> – Minimum: 0.090 kVA – Maximum: 0.700 kVA <p>Notes:</p> <ol style="list-style-type: none"> 1. Power consumption and heat output vary depending on the number and type of optional features installed and the power-management optional features in use. 2. The sound levels were measured in controlled acoustical environments according to the procedures specified by the American National Standards Institute (ANSI) S12.10 and ISO 7779 and are reported in accordance with ISO 9296. Actual sound-pressure levels in a given location might exceed the average values stated because of room reflections and other nearby noise sources. The noise emission level stated in the declared (upper limit) sound-power level, in bels, for a random sample of system. |
|---|--|--|

EU Regulation 617/2013 Technical Documentation:

International Business Machines Corporation
 New Orchard Road
 Armonk, New York 10504
<http://www.ibm.com/customersupport/>

For more information on the energy efficiency program, go to <http://www.ibm.com/systems/x/hardware/energy-star/index.html>

Product Type:

Computer Server

Year first manufactured:

2010

Internal/external power supply efficiency:

PSU 1:

Table 2. Power supply efficiency (PSU 1)

| IRMS A | PF | ITHD (%) | Load (%) | Input Watts | Output Watts | Efficiency % |
|--------|-------|----------|----------|-------------|--------------|--------------|
| 0.41 | 0.811 | 39.8% | 10% | 77.25 | 67.50 | 87.38% |
| 0.72 | 0.901 | 30.5% | 20% | 148.45 | 134.74 | 90.76% |
| 1.65 | 0.956 | 21.8% | 50% | 361.99 | 336.34 | 92.91% |
| 3.28 | 0.976 | 17.5% | 100% | 736.58 | 670.10 | 90.97% |

PSU 2:

Table 3. Power supply efficiency (PSU 2)

| IRMS A | PF | ITHD (%) | Load (%) | Input Watts | Output Watts | Efficiency % |
|--------|-------|----------|----------|-------------|--------------|--------------|
| 0.50 | 0.694 | 19.02% | 10% | 79.4 | 68.2 | 85.9% |
| 0.74 | 0.867 | 15.1% | 20% | 148.4 | 134.8 | 90.8% |
| 1.63 | 0.968 | 4.85% | 50% | 362.1 | 336.1 | 93.0% |
| 3.24 | 0.988 | 5.3% | 100% | 737.3 | 672.3 | 91.2% |

Maximum power (watts):

See "" on page .

Idle state power (watts):

129

Sleep mode power (watts):

N/A for servers

Off mode power (watts):

Not available

Noise levels (the declared A-weighted sound power level of the computer):

See "" on page .

Test voltage and frequency:

230V / 50 Hz or 60 Hz

Total harmonic distortion of the electricity supply system:

The maximum harmonic content of the input voltage waveform will be equal or less than 2%. The qualification is compliant with EN 61000-3-2.

Information and documentation on the instrumentation set-up and circuits used for electrical testing:

ENERGY STAR Test Method for Computer Servers; ECOVA Generalized Test Protocol for Calculating the Energy Efficiency of Internal Ac-Dc and Dc-Dc Power Supplies.

Measurement methodology used to determine information in this document:

ENERGY STAR Servers Version 2.0 Program Requirements; ECOVA Generalized Test Protocol for Calculating the Energy Efficiency of Internal Ac-Dc and Dc-Dc Power Supplies.

What your server offers

The server uses the following features and technologies.

- **Integrated Management Module:** The Integrated Management module (IMM) combines service processor functions, video controller, and (when an optional virtual media key is installed) remote presence

function in a single chip. The IMM provides advanced service-processor control, monitoring, and alerting function. If an environmental condition exceeds a threshold or if a system component fails, the IMM lights LEDs to help you diagnose the problem, records the error in the event log, and alerts you to the problem. Optionally, the IMM also provides a virtual presence capability for remote server management capabilities. The IMM provides remote server management through the following industry-standard interfaces:

- Intelligent Platform Management Interface (IPMI) version 2.0
- Simple Network Management Protocol (SNMP) version 3
- Common Information Model (CIM)
- Web browser

For additional information, see “Using the integrated management module” on page 126.

- **UEFI-compliant server firmware:** IBM System x Server Firmware (server firmware) offers several features, including Unified Extensible Firmware Interface (UEFI) 2.1 compliance; Active Energy Manager technology; enhanced reliability, availability, and serviceability (RAS) capabilities; and basic input/output system (BIOS) compatibility support. UEFI replaces the BIOS and defines a standard interface between the operating system, platform firmware, and external devices. UEFI-compliant System x servers are capable of booting UEFI-compliant operating systems, BIOS-based operating systems, and BIOS-based adapters as well as UEFI-compliant adapters.

Note: The server does not support DOS (Disk Operating System).

- **IBM Dynamic System Analysis Preboot diagnostics programs:** The Dynamic System Analysis (DSA) Preboot diagnostics programs are stored on the integrated USB memory. It collects and analyzes system information to aid in diagnosing server problems. The diagnostic programs collect the following information about the server:
 - System configuration
 - Network interfaces and settings
 - Installed hardware
 - Light path diagnostics status
 - Service processor status and configuration
 - Vital product data, firmware, and UEFI (formerly BIOS) configuration
 - Hard disk drive health
 - RAID controller configuration
 - Event logs for ServeRAID controllers and service processors

The diagnostic programs create a merged log that includes events from all collected logs. The information is collected into a file that you can send to IBM service and support. Additionally, you can view the information locally through a generated text report file. You can also copy the log to a removable media and view the log from a Web browser.

For additional information about DSA Preboot diagnostics, see the *Problem Determination and Service Guide* on the IBM System x Documentation CD

- **Multi-core processing:** The server supports up to two Intel Xeon™ multi-core microprocessors. The server comes with only one microprocessor installed.
- **IBM Systems Director:** IBM Systems Director is a workgroup-hardware-management tool that you can use to centrally manage System x and xSeries servers. For more information, see the IBM Systems Director Information Center at http://pic.dhe.ibm.com/infocenter/director/pubs/index.jsp?topic=%2Fcom.ibm.director.main.helps.doc%2Ffqm0_main and “IBM Systems Director” on page 12.

- **IBM-X-Architecture technology:** IBM-X-Architecture technology combines proven, innovative IBM designs to make your Intel-processor-based server powerful, scalable, and reliable. For more information, see <http://www.ibm.com/systems/x/hardware/enterprise/xarchitecture.html>.
 - **Active™ Memory:** The Active Memory feature improves the reliability of memory through memory mirroring. Memory mirroring mode replicates and stores data on two pairs of DIMMs within two channels simultaneously. If a failure occurs, the memory controller switches from the primary pair of memory DIMMs to the backup pair of DIMMs. For more information about installing DIMMs for memory mirroring, see “Installing a memory module” on page 54.
 - **Remote presence capability and blue-screen capture:** The remote presence and blue-screen capture features are integrated functions of the Integrated Management Module (IMM) and are available with the purchase of the optional IBM Virtual Media Key. A virtual media key is required to enable the remote presence and blue-screen capture features. The remote presence feature provides the following functions:
 - Remotely viewing video with graphics resolutions up to 1600 x 1200 at 75 Hz, regardless of the system state
 - Remotely accessing the server, using the keyboard and mouse from a remote client
 - Mapping the CD or DVD drive, diskette drive, and USB flash drive on a remote client, and mapping ISO and diskette image files as virtual drives that are available for use by the server
 - Uploading a diskette image to the IMM memory and mapping it to the server as a virtual drive
 The blue-screen capture feature captures the video display contents before the IMM restarts the server when the IMM detects an operating-system hang condition. A system administrator can use the blue-screen capture to assist in determining the cause of the hang condition.
 See “Using the remote presence capability and blue-screen capture” on page 127 for additional information.
 - **Large system-memory capacity:** The memory bus supports up to 192 GB of system memory when registered DIMMs are installed. The server supports up to 48 GB if unbuffered DIMMs are installed. The memory controller supports error correcting code (ECC) for up to 18 industry-standard PC3-10600R-999, 800, 1067, and 1333 MHz, DDR3 (third-generation double-data-rate), synchronous dynamic random access memory (SDRAM) dual inline memory modules (DIMMs).
- **IBM ServerGuide Setup and Installation CD:** The *ServerGuide Setup and Installation* CD, which you can download from the Web, provides programs to help you set up the server and install a Windows operating system. The ServerGuide program detects installed optional hardware devices and provides the correct configuration programs and device drivers. For more information about the *ServerGuide Setup and Installation* CD, see “Using the ServerGuide Setup and Installation CD” on page 124.
- **Integrated network support:** The server comes with an integrated dual-port Broadcom Gigabit Ethernet controller, which supports connection to a 10 Mbps, 100 Mbps, or 1000 Mbps network. For more information, see “Configuring the Gigabit Ethernet controller” on page 131.
- **Integrated Trusted Platform Module (TPM):** This integrated security chip performs cryptographic functions and stores private and public secure keys. It provides the hardware support for the Trusted Computing Group (TCG) specification. You can download the software to support the TCG specification, when the software is available. See http://www.ibm.com/servers/eserver/xseries/scalable_family.html for details about the TPM implementation. You can enable TPM support through the Setup utility under the **System Security** menu option.
- **Large data-storage capacity and hot-swap capability:** The hot-swap server models support a maximum of eight 2.5-inch hot-swap Serial Attached SCSI (SAS) hard disk drives or hot-swap Serial ATA (SATA) hard disk drives. The simple-swap server models support a maximum of four 2.5-inch simple-swap SATA hard disk drives.

With the hot-swap feature, you can add, remove, or replace hard disk drives without turning off the server.

- **Light path diagnostics:** Light path diagnostics provides LEDs to help you diagnose problems. For more information about the light path diagnostics, see “Light path diagnostics panel” on page 16 and the *Problem Determination and Service Guide* on the *IBM System x Documentation CD*.
- **PCI adapter capabilities:** The server has two PCI interface slots (one supports low-profile cards, and one supports half-length, full-height cards). Both slots can support PCI Express or PCI-X adapters through an optional PCI riser card. See “Installing an adapter” on page 70 for detailed information.
- **Active Energy Manager:** The IBM Active Energy Manager solution is an IBM Systems Director plug-in that measures and reports server power consumption as it occurs. This enables you to monitor power consumption in correlation to specific software application programs and hardware configurations. You can obtain the measurement values through the systems-management interface and view them, using IBM Systems Director. For more information, including the required levels of IBM Systems Director and Active Energy Manager, see the IBM Systems Director documentation on the *IBM Systems Director CD*, or see <http://www.ibm.com/systems/software/director/resources.html>.
- **Redundant connection:** The addition of the optional Ethernet daughter card provides failover capability to a redundant Ethernet connection with the applicable application installed. If a problem occurs with the primary Ethernet connection and the optional Ethernet daughter card is installed on the server, all Ethernet traffic that is associated with the primary connection is automatically switched to the optional redundant Ethernet daughter card connection. If the applicable device drivers are installed, this switching occurs without data loss and without user intervention.
- **Redundant cooling and optional power capabilities:** The server supports a maximum of two 675-watt or 460-watt hot-swap power supplies and six dual-motor hot-swap fans, which provide redundancy and hot-swap capability for a typical configuration. The redundant cooling by the fans in the server enables continued operation if one of the fans fails. The server comes with one 675-watt or 460-watt hot-swap power supply and five fans.

You must install the sixth fan when you install the second microprocessor in the server. You can order the second optional power supply for power redundancy.

Note: You cannot mix 460-watt and 675-watt power supplies, high-efficiency and non-high-efficiency power supplies, or ac and dc power supplies in the server.

- **ServeRAID support:** The ServeRAID adapter provides hardware redundant array of independent disks (RAID) support to create configurations. The standard RAID adapter provides RAID levels 0, 1, and 1E. An optional RAID adapter is available for purchase.
- **Systems-management capabilities:** The server comes with an integrated management module (IMM). When the IMM is used with the systems-management software that comes with the server, you can manage the functions of the server locally and remotely. The IMM also provides system monitoring, event recording, and network alert capability. The system-management connector on the rear of the server is dedicated to the IMM. The dedicated system-management connector provides additional security by physically separating the management network traffic from the production network. You can use the Setup utility to configure the server to use a dedicated systems-management network or a shared network.
- **TCP/IP offload engine (TOE) support:** The Ethernet controllers in the server support TOE, which is a technology that offloads the TCP/IP flow from the microprocessor and I/O subsystem to increase the speed of the TCP/IP flow. When an operating system that supports TOE is running on the server and TOE is enabled, the server supports TOE operation. See the operating-system documentation for information about enabling TOE.

Note: As of the date of this document, the Linux operating system does not support TOE.

Reliability, availability, and serviceability

Three important computer design features are reliability, availability, and serviceability (RAS). The RAS features help to ensure the integrity of the data that is stored in the server, the availability of the server when you need it, and the ease with which you can diagnose and correct problems.

Your server has the following RAS features:

- 3-year parts and 3-year labor limited warranty for machine type 7944 and 4-year parts and 4-year labor limited warranty for machine type 4254
- Automatic error retry and recovery
- Automatic restart on nonmaskable interrupt (NMI)
- Automatic restart after a power failure
- Backup basic input/output system switching under the control of the Integrated Management Module (IMM)
- Built-in monitoring for fan, power, temperature, voltage, and power-supply redundancy
- Cable-presence detection on most connectors
- Chipkill memory protection
- Diagnostic support for ServeRAID and Ethernet adapters
- Error codes and messages
- Error correcting code (ECC) L2 cache and system memory
- Hot-swap cooling fans with speed-sensing capability
- Hot-swap hard disk drives
- Information and light path diagnostics LED panels
- Integrated Management Module (IMM)
- Menu-driven setup, system configuration, and redundant array of independent disks (RAID) configuration programs
- Microprocessor built-in self-test (BIST), internal error signal monitoring, configuration checking, and microprocessor and voltage regulator module failure identification through light path diagnostics
- Memory mirroring support (memory mirroring are mutually exclusive of each other)
- Parity checking on the small computer system interface (SCSI) bus and PCI buses
- Power management: Compliance with Advanced Configuration and Power Interface (ACPI)
- Power-on self-test (POST)
- Predictive Failure Analysis (PFA) alerts on memory, SAS/SATA hard disk drives, fans, and power supplies
- Redundant Ethernet capabilities with failover support
- Redundant hot-swap power supplies and redundant hot-swap fans
- Redundant Network Interface Card (NIC) support
- Remind button to temporarily turn off the system-error LED
- Remote system problem-determination support
- ROM-based diagnostics
- ROM checksums
- Serial Presence Detection (SPD) on memory, VPD, power supply, and hard disk drives backplane
- Single-DIMM isolation of excessive correctable error or multi-bit error by the Unified Extensible Firmware Interface (UEFI)
- Standby voltage for system-management features and monitoring
- Startup (boot) from LAN through remote initial program load (RIPL) or dynamic host configuration protocol/boot protocol (DHCP/BOOTP)
- System auto-configuring from the configuration menu
- System-error logging (POST and IMM)
- Systems-management monitoring through the Inter-Integrated Circuit (IC) protocol bus
- Upgradeable POST, Unified Extensible Firmware Interface (UEFI), diagnostics, IMM firmware, and read-only memory (ROM) resident code, locally or over the LAN
- Vital product data (VPD) on microprocessors, system board, power supplies, and SAS/SATA (hot-swap hard disk drive) backplane
- Wake on LAN capability

IBM Systems Director

IBM Systems Director is a platform-management foundation that streamlines the way you manage physical and virtual systems supports multiple operating systems and virtualization technologies in IBM and non-IBM x86 platforms.

Through a single user interface, IBM Systems Director provides consistent views for viewing managed systems, determining how these systems relate to one other, and identifying their statuses, helping to correlate technical resources with business needs. A set of common tasks that are included with IBM Systems Director provides many of the core capabilities that are required for basic management, which means instant out-of-the-box business value. The common tasks include the following:

- Discovery
- Inventory
- Configuration
- System health
- Monitoring
- Updates
- Event notification
- Automation for managed systems

The IBM Systems Director Web and command-line interfaces provide a consistent interface that is focused on driving these common tasks and capabilities:

- Discovering, navigating, and visualizing systems on the network with the detailed inventory and relationships to the other network resources
- Notifying users of problems that occur on systems and the ability to isolate the sources of the problems
- Notifying users when systems need updates and distributing and installing updates on a schedule
- Analyzing real-time data for systems and setting critical thresholds that notify the administrator of emerging problems
- Configuring settings of a single system and creating a configuration plan that can apply those settings to multiple systems
- Updating installed plug-ins to add new features and functions to the base capabilities
- Managing the life cycles of virtual resources

For more information about IBM Systems Director, see the documentation on the *IBM Systems Director* CD that comes with the server and the IBM xSeries Systems Management Web page at <http://www.ibm.com/systems/management/>, which presents an overview of IBM Systems Management and IBM Systems Director.

The UpdateXpress System Pack Installer

The UpdateXpress System Pack Installer detects supported and installed device drivers and firmware in the server and installs available updates.

For additional information and to download the UpdateXpress System Pack Installer, go to the ToolsCenter for System x and BladeCenter at <http://publib.boulder.ibm.com/infocenter/toolsctr/v1r0/> and click **UpdateXpress System Pack Installer**.

Server controls, LEDs, and power

This section describes the controls and light-emitting diodes (LEDs) and how to turn the server on and off.

For the location of the LEDs on the system board, see “System-board LEDs” on page 40.

Front view

Use this information to view the controls, LEDs, and connectors on the front of the server.

The following illustration shows the controls, LEDs, and connectors on the front of the server.

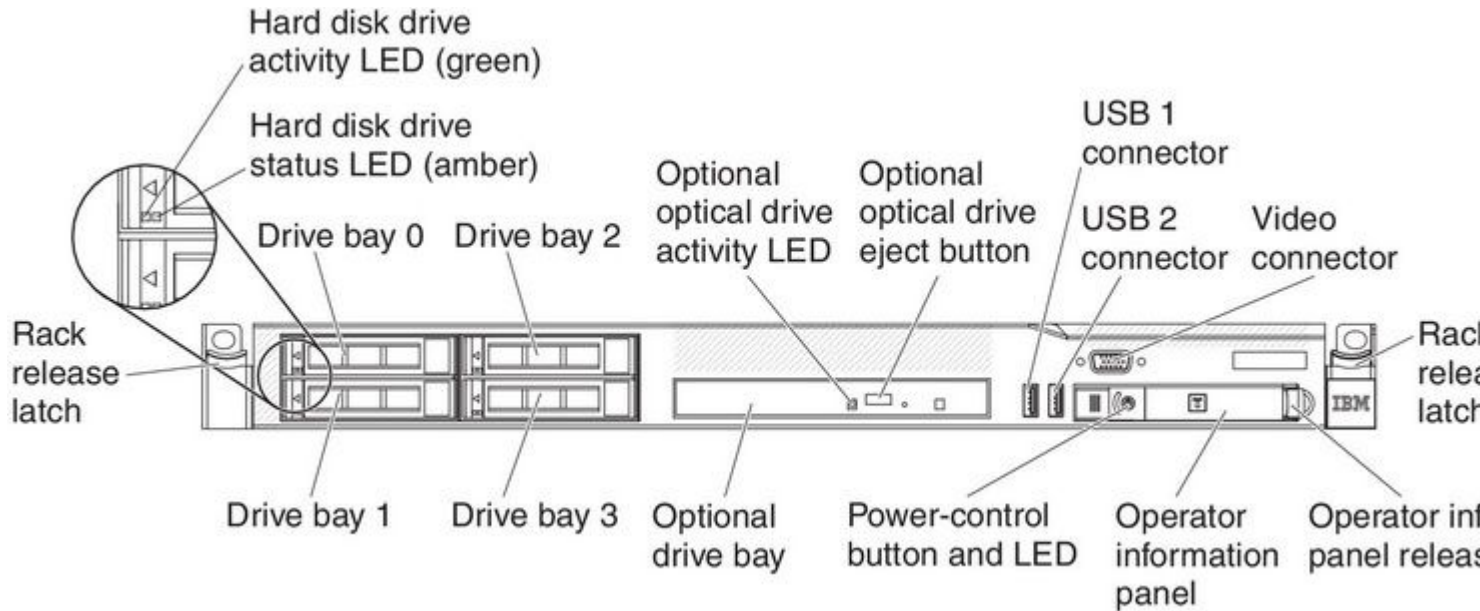


Figure 4. Front view

The following illustration shows the front of the simple-swap server model.

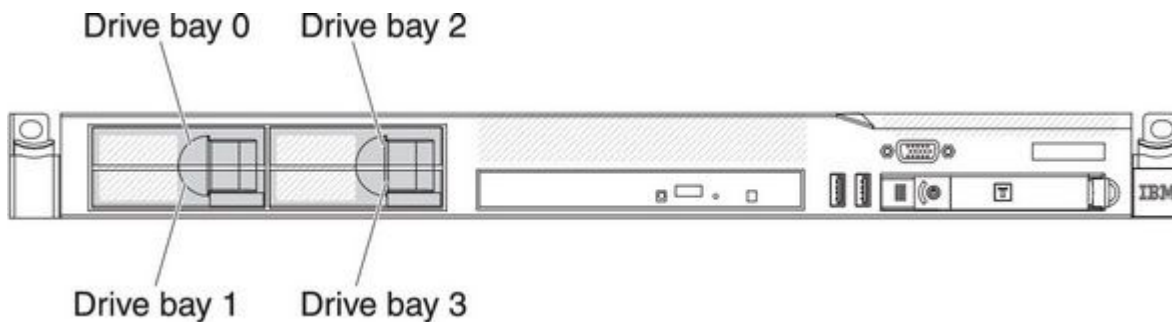


Figure 5. Front view: simple-swap HDD model

- **Rack release latches:** Press the latches on each front side of the server to remove the server from the rack.
- **Hard disk drive activity LEDs:** This LED is used on hot-swap SAS or SATA hard disk drives. Each hot-swap hard disk drive has an activity LED, and when this LED is flashing, it indicates that the drive is in use.
- **Hard disk drive status LEDs:** This LED is used on hot-swap SAS or SATA hard disk drives. When this LED is lit, it indicates that the drive has failed. If an optional IBM ServeRAID controller is installed in the server, when this LED is flashing slowly (one flash per second), it indicates that the drive is being rebuilt. When the LED is flashing rapidly (three flashes per second), it indicates that the controller is identifying the drive.

- **Optional DVD eject button:** Press this button to release a DVD or CD from the DVD drive.
- **Optional DVD drive activity LED:** When this LED is lit, it indicates that the DVD drive is in use.
- **Operator information panel:** This panel contains controls and LEDs that provide information about the status of the server.
- **Operator information panel release latch:** Slide the blue release latch to the left to pull out the light path diagnostics panel and view the light path diagnostics LEDs and buttons. See “Light path diagnostics panel” on page 16 for more information about the light path diagnostics.
- **Video connector:** Connect a monitor to this connector. The video connectors on the front and rear of the server can be used simultaneously.
- **USB connectors:** Connect a USB device, such as a USB mouse or keyboard to any of these connectors.

Operator information panel

Use this information to view the operator information panel.

The following illustration shows the controls and LEDs on the operator information panel.

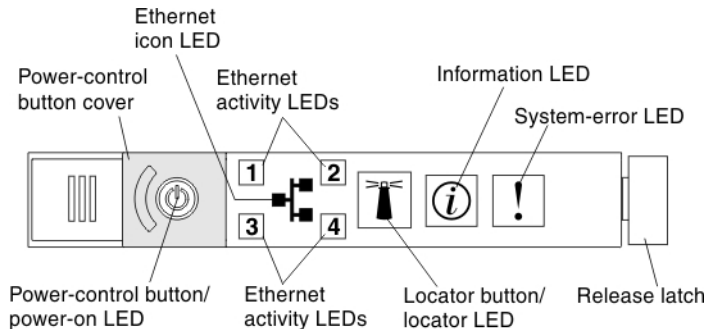


Figure 6. Operator information panel

- **Power-control button and power-on LED:** Press this button to turn the server on and off manually or to wake the server from a reduced-power state. The states of the power-on LED are as follows:
 - Off:** AC power is not present, or the power supply or the LED itself has failed.
 - Flashing rapidly (4 times per second):** The server is turned off and is not ready to be turned on. The power-control button is disabled. This will last approximately 20 to 40 seconds.
 - Flashing slowly (once per second):** The server is turned off and is ready to be turned on. You can press the power-control button to turn on the server.
 - Lit:** The server is turned on.
 - Fading on and off:** The server is in a reduced-power state. To wake the server, press the power-control button or use the IMM web interface. See “Logging on to the Web interface” on page 129 for information on logging on to the IMM web interface.
- **Ethernet activity LEDs:** When any of these LEDs is lit, they indicate that the server is transmitting to or receiving signals from the Ethernet LAN that is connected to the Ethernet port that corresponds to that LED.
- **System-locator button/LED:** Use this blue LED to visually locate the server among other servers. This LED is also used as a presence detection button. You can use IBM Systems Director to light this LED remotely. This LED is controlled by the IMM. When you press the System-locator button, the LED will blink and it will continue to blink until you press it again to turn it off. The locator button is pressed to visually locate the server among the others servers.

- **System-information LED:** When this amber LED is lit, it indicates that a noncritical event has occurred. Check the error log for additional information.
- **System-error LED:** When this amber LED is lit, it indicates that a system error has occurred. A system-error LED is also on the rear of the server. An LED on the light path diagnostics panel on the operator information panel is also lit to help isolate the error. This LED is controlled by the IMM.
- **Hard drive activity LED:** When this green LED is lit, it indicates that one of the hard disk drives is in use.

Notes:

1. For a SAS drive, a hard disk drive activity LED is shown in two places: on the hard disk drive and on the operator information panel.
2. For a SATA drive, hard disk drive activity is indicated only by the hard disk drive activity LED on the operator information panel.

Light path diagnostics panel

The light path diagnostics panel is located on the top of the operator information panel.

Note: The system service label on the underside of the cover also provides information about the location of the light path diagnostics LEDs.

To access the light path diagnostics panel, slide the blue release latch on the operator panel to the left. Pull forward on the panel until the hinge of the operator panel is free of the server chassis. Then pull down on the panel, so that you can view the light path diagnostics panel information.

Note: When you slide the light path diagnostics panel out of the server to check the LEDs or checkpoint codes, do not run the server continuously with light path diagnostics panel outside of the server. The panel should only be outside of the server a short time. The light path diagnostics panel must remain in the server when the server is running to ensure proper cooling.

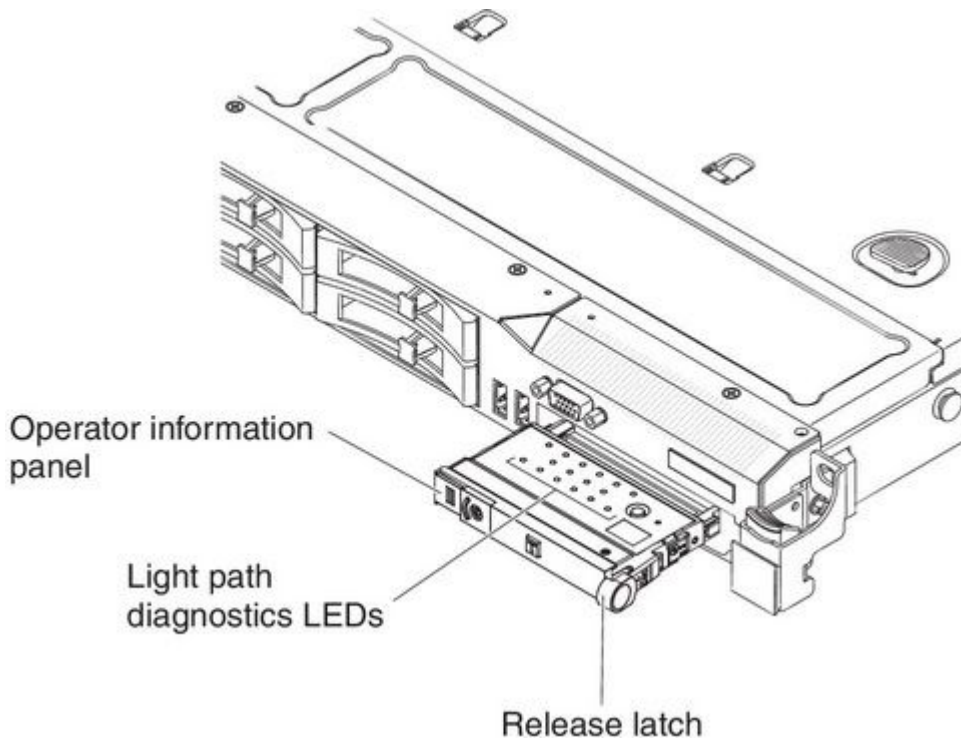


Figure 7. Light path diagnostics panel exposure

The following illustration shows the LEDs and controls on the light path diagnostics panel.

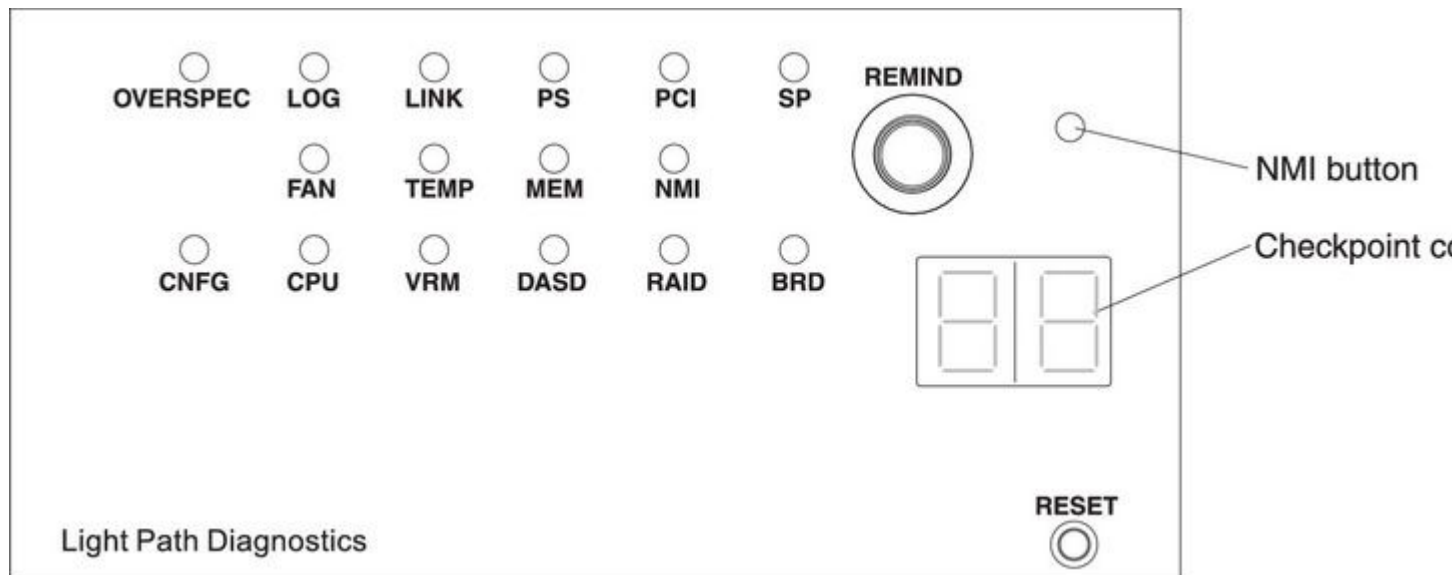


Figure 8. Light path diagnostics panel exposure

- **Remind button:** This button places the system-error LED on the front panel into Remind mode. In Remind mode, the system-error LED flashes every 2 seconds until the problem is corrected, the system is restarted, or a new problem occurs. By placing the system-error LED indicator in Remind mode, you acknowledge that you are aware of the last failure but will not take immediate action to correct the problem. The remind function is controlled by the IMM.
- **NMI button:** Press this button to force a nonmaskable interrupt to the microprocessor. It allows you to blue screen the server and take a memory dump (use this button only when directed by the IBM service support).
- **Checkpoint code display:** This display provides a checkpoint code that indicates the point at which the system stopped during the boot block and POST. A checkpoint code is either a byte or a word value that is produced by UEFI. The display does not provide error codes or suggest components to be replaced.
- **Reset button:** Press this button to reset the server and run the power-on self-test (POST). You might have to use a pen or the end of a straightened paper clip to press the button. The Reset button is in the lower right-hand corner of the light path diagnostics panel.

For additional information about the light path diagnostics panel LEDs, see “Light path diagnostics LEDs” on page 17.

Light path diagnostics LEDs

The following table describes the LEDs on the light path diagnostics panel and suggested actions to correct the detected problems.

Note: Check the system-error log or system event log for additional information before replacing a FRU.

Table 4. Light path diagnostics panel LEDs

| LED | Description | Action |
|--|---|---|
| None, but the system error LED is lit. | An error has occurred and cannot be isolated. The error is not represented by a path. | Use the Setup utility to check the system error log for information about the error. |
| OVER SPEC | The power supplies are using more power than their maximum rating. | <p>If the OVER SPEC LED on the light path diagnostics panel is lit, or any of the six 12 V channel error LEDs (A, B, C, D, E, or AUX) on the system board are lit, use one of the following procedures.</p> <p>If the 12 V channel A error LED is lit, complete the following steps:</p> <ol style="list-style-type: none"> 1. Turn off the server and disconnect the power from the server. 2. Remove the optical drive, fans, hard disk drives, and hard disk drive backplane. 3. Restart the server to see whether the problem remains. 4. Reinstall each device that you removed in step 2 one at a time, starting the server each time, to isolate the failing device. 5. Replace any failing device. 6. (Trained service technician only) Replace the system board. <p>If the 12 V channel B error LED is lit, complete the following steps:</p> <ol style="list-style-type: none"> 1. Turn off the server and disconnect the power from the server. 2. Remove the PCI riser card in connector 1, all DIMMs, and the microprocessor in socket 2. 3. Restart the server to see whether the problem remains. 4. Reinstall each device that you removed in step 2 one at a time, starting the server each time, to isolate the failing device. 5. Replace any failing device. 6. (Trained service technician only) Replace the system board. <p>(Continued on the next page)</p> |

Table 4. Light path diagnostics panel LEDs (continued)

| LED | Description | Action |
|--------------------------|--|--|
| OVER SPEC (Continued) | The power supplies are using more power than their maximum rating. | <p>If the 12 V channel C error LED is lit, complete the following steps:</p> <ol style="list-style-type: none"> 1. Turn off the server and disconnect the power from the server. 2. Remove the SAS/SATA RAID riser card, DIMMs in connectors 1 through 9, and the microprocessor in socket 1. <p>Note: The server will not power-on when the microprocessor in socket 1 or 2 is not installed in the server. (Trained service technician only) Toggle the switch block (SW4), bit 3 to allow the server to power-on. See “System-board switches and jumpers” on page 37 for the location of the SW4 switch block on the system board.</p> <ol style="list-style-type: none"> 3. Restart the server to see whether the problem remains. 4. Reinstall each device that you removed in step 2 one at a time, starting the server each time, to isolate the failing device. 5. Replace any failing device. 6. (Trained service technician only) Replace the system board. <p>If the 12 V channel D error LED is lit, complete the following steps:</p> <ol style="list-style-type: none"> 1. Turn off the server and disconnect the power from the server. 2. (Trained service technician only) Remove the microprocessor in socket 1. <p>Note: The server will not power-on when the microprocessor in socket 1 or 2 is not installed in the server. (Trained service technician only) Toggle the switch block (SW4), bit 3 to allow the server to power-on. See “System-board switches and jumpers” on page 37 for the location of the SW4 switch block on the system board.</p> <ol style="list-style-type: none"> 3. Restart the server to see whether the problem remains. 4. (Trained service technician only) Reinstall the microprocessor in socket 1 and restart the server. 5. Replace any failing device. 6. (Trained service technician only) Replace the system board. <p>(Continued on the next page.)</p> |

Table 4. Light path diagnostics panel LEDs (continued)

| LED | Description | Action |
|--------------------------|--|--|
| OVER SPEC (Continued) | The power supplies are using more power than their maximum rating. | <p>If the 12 V channel E error LED is lit, complete the following steps:</p> <ol style="list-style-type: none"> 1. Turn off the server and disconnect the power from the server. 2. Remove the PCI riser card from PCI riser connector 2 and the microprocessor in socket 2. 3. Restart the server to see whether the problem remains. 4. Reinstall each device that you removed in step 2 one at a time, starting the server each time, to isolate the failing device. 5. Replace any failing device. 6. (Trained service technician only) Replace the system board. <p>If the 12 V AUX channel error LED is lit, complete the following steps:</p> <ol style="list-style-type: none"> 1. Turn off the server and disconnect the power from the server. 2. Remove all PCI Express and PCI-X cards, all PCI riser cards, the operator information panel, and the Ethernet adapter (if installed). <p>Note: The server will not power-on when the microprocessor in socket 1 or 2 is not installed in the server. (Trained service technician only) Toggle the switch block (SW4), bit 3 to allow the server to power-on. See “System-board switches and jumpers” on page 37 for the location of the SW4 switch block on the system board.</p> <ol style="list-style-type: none"> 3. Restart the server to see whether the problem remains. 4. Reinstall each device that was removed in step 2 one at a time, starting the server each time, to isolate the failing device. 5. Replace any failing device. 6. (Trained service technician only) Replace the system board. |
| LOG | An error occurred. | Check the IMM system event log and the system-error log for information about the error. Replace any components that are identified in the error logs. |
| LINK | Reserved. | |

Table 4. Light path diagnostics panel LEDs (continued)

| LED | Description | Action |
|-----|--|---|
| PS | Power supply 1 or 2 has failed. When both the PS and CNFG LEDs are lit, the power supply configuration is invalid. | <ol style="list-style-type: none"> 1. Check the power-supply that has an lit amber LED (see “Power-supply LEDs” on page 27). 2. Make sure that the power supplies are seated correctly. 3. Remove one of the power supplies to isolate the failed power supply. 4. Make sure that both power supplies installed in the server are of the same type. 5. Replace the failed power supply. |
| PCI | An error has occurred on a PCI bus or on the system board. An additional LED is lit next to a failing PCI slot. | <ol style="list-style-type: none"> 1. Check the LEDs on the PCI slots to identify the component that caused the error. 2. Check the system-error log for information about the error. 3. If you cannot isolate the failing adapter by using the LEDs and the information in the system-error log, remove one adapter at a time from the failing PCI bus; and restart the server after each adapter is removed. 4. Replace the following components, in the order shown, restarting the server each time: <ul style="list-style-type: none"> • PCI riser card • (Trained service technician only) Replace the system board. 5. For more information, go to http://www.ibm.com/support/entry/portal/docdisplay?Indocid=SERV-CALL |
| SP | A service processor error has been detected. | <ol style="list-style-type: none"> 1. Shut down the system and remove the power cords from the server; then, reconnect the server to power and restart the server. 2. Update the IMM firmware. 3. (Trained service technician only) Replace the system board, if the problem remains. 4. For more information, go to http://www.ibm.com/support/entry/portal/docdisplay?Indocid=SERV-CALL |
| FAN | A fan has failed, is operating too slowly, or has been removed. The TEMP LED might also be lit. | <ol style="list-style-type: none"> 1. Reseat the failing fan, which is indicated by a lit LED near the fan connector on the system board. 2. Replace the failing fan, which is indicated by a lit LED near the fan connector on the system board. <p>Note: If an LED near an unused fan connector on the system board is lit, a PCI riser-card assembly might be absent. Replace the PCI riser-card assembly. One PCI riser-card assembly must always be present in PCI connector 2.</p> |

Table 4. Light path diagnostics panel LEDs (continued)

| LED | Description | Action |
|------|---|---|
| TEMP | The system temperature has exceeded a threshold level. A failing fan can cause the TEMP LED to be lit. | <ol style="list-style-type: none"> 1. Make sure that the heat sink is seated correctly. 2. Determine whether a fan has failed. If it has, replace it. 3. Make sure that the room temperature is not too high. See “Features and specifications” on page 5 for the server temperature information. 4. Make sure that the air vents are not blocked. 5. For more information, go to http://www.ibm.com/support/entry/portal/docdisplay?lnocid=SERV-CALL. |
| MEM | When only the MEM LED is lit, a memory error has occurred. When both the MEM and CNFG LEDs are lit, the memory configuration is invalid or the PCI Option ROM is out of resource. | <p>Note: Each time you install or remove a DIMM, you must disconnect the server from the power source; then, wait 10 seconds before restarting the server.</p> <ol style="list-style-type: none"> 1. If the MEM LED and the CNFG LED are lit, complete the following step: <ol style="list-style-type: none"> a. Check the system-event log in the Setup utility or IMM error messages. 2. If the CNFG LED is not lit, the system might detect a memory error. Complete the following steps to correct the problem: <ol style="list-style-type: none"> a. Update the server firmware to the latest level. b. Reseat or swap the DIMMs. c. Check the system-event log in the Setup utility or IMM error messages. |
| NMI | A nonmaskable interrupt has occurred, or the NMI button was pressed. | Check the system-error log for information about the error. |
| CNFG | A hardware configuration error has occurred. | <ol style="list-style-type: none"> 1. If the CNFG LED and the CPU LED are lit, complete the following steps to correct the problem: <ol style="list-style-type: none"> a. Check the microprocessors that were just installed to make sure that they are compatible with each other. b. (Trained service technician only) Replace the incompatible microprocessor. c. Check the system-error logs for information about the error. Replace any components that are identified in the error log. 2. If the CNFG LED and the MEM LED are lit, complete the following step: <ol style="list-style-type: none"> a. Check the system-event log in the Setup utility or IMM error messages. 3. If the CNFG LED and the PS LED are lit, the system issues an invalid power configuration error. Make sure that both power supplies installed in the server are of the same type. |

Table 4. Light path diagnostics panel LEDs (continued)

| <ul style="list-style-type: none"> Follow the suggested actions in the order in which they are listed in the Action column until the problem is solved. See “Parts listing” to determine which components are customer replaceable units (CRU) and which components are field replaceable units (FRU). If an action step is preceded by “(Trained service technician only)”, that step must be performed only by a trained service technician. | | |
|---|--|--|
| LED | Description | Action |
| CPU | An invalid microprocessor configuration or a microprocessor has failed (both the CPU LED and the CNFG LED might be lit). | <ol style="list-style-type: none"> If the CNFG LED is lit, the system issues an invalid microprocessor configuration error. Complete the following steps to correct the problem: <ol style="list-style-type: none"> Check the microprocessors that were just installed to make sure that they are compatible with each other and use the Setup utility and select System Information → System Summary → Processor Details to verify the microprocessors information. (Trained service technician only) Replace the incompatible microprocessor. Check the system-error logs for information about the error. Replace any components that are identified in the error log. If a microprocessor failure occurs, complete the following steps: <ol style="list-style-type: none"> (Trained service technician only) Make sure that the failing microprocessor, which is indicated by a lit LED on the system board, is installed correctly. For more information, go to http://www.ibm.com/support/entry/portal/docdisplay?InDocid=SERV-C |
| VRM | Reserved. | |
| DASD | A hard disk drive has failed or is missing. | <ol style="list-style-type: none"> Check the LEDs on the hard disk drives for the drive with a lit status LED and reseal the hard disk drive. Reseat the hard disk drive backplane. For more information, see the “Hard disk drive problems”. If the error remains, replace the following components in the order listed, restarting the server after each: <ol style="list-style-type: none"> Replace the hard disk drive. Replace the hard disk drive backplane. If the error remains, replace the following components one at a time, in the order listed, restarting the server after each: <ol style="list-style-type: none"> Replace the hard disk drive. Replace the hard disk drive backplane. If the problem remains, go to http://www.ibm.com/support/entry/portal/docdisplay?InDocid=SERV-CALL |

Table 4. Light path diagnostics panel LEDs (continued)

| LED | Description | Action |
|------|--|---|
| RAID | Reserved. | |
| BRD | An error has occurred on the system board. | <ol style="list-style-type: none"> 1. Check the LEDs on the system board to identify the component that caused the error. The BRD LED can be lit due to any of the following reasons: <ul style="list-style-type: none"> • Battery • Missing PCI riser-card assembly • Failed voltage regulator 2. Check the system-error log for information about the error. 3. Replace any failed or missing replacement components, such as the battery or PCI riser-card assembly. 4. If a voltage regulator has failed, (trained service technician only) replace the system board. |

Rear view

Use this information to view the controls, LEDs, and connectors on the rear of the server.

The following illustration shows the connectors and LEDs on the rear of the server.

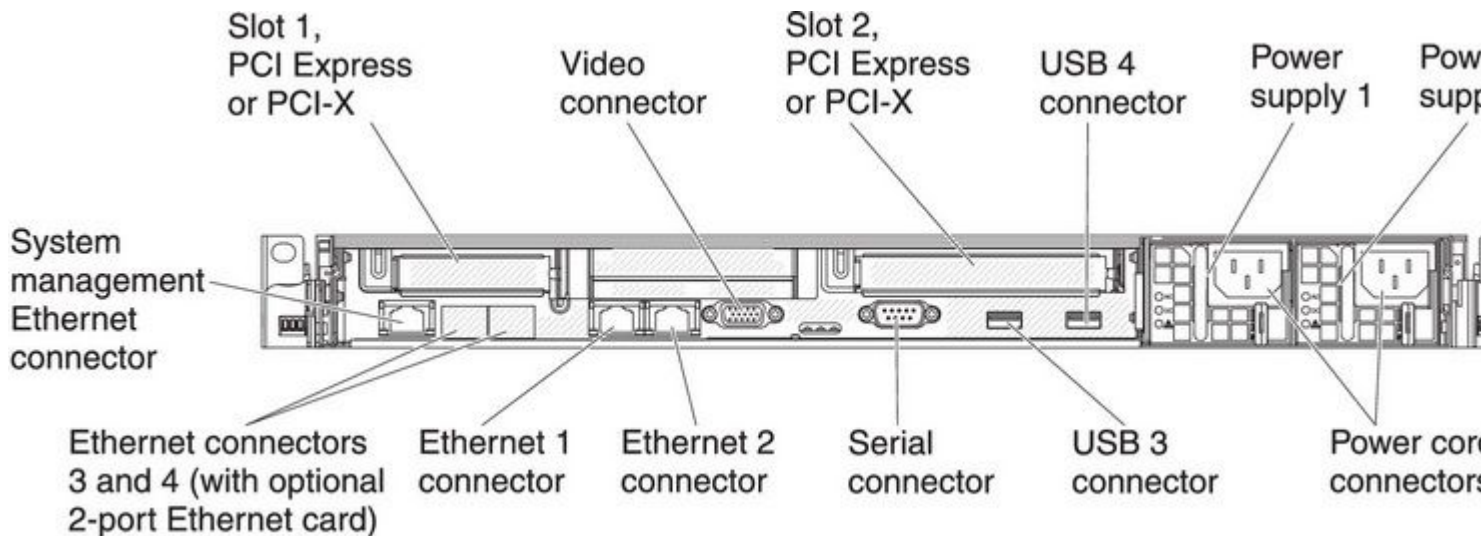


Figure 9. Rear view

- **PCI slot 1:** Insert a low-profile PCI Express or PCI-X adapter into this slot. You can purchase an optional PCI Express or PCI-X riser-card assembly with bracket if you want to install a PCI adapter in this slot.

- **PCI slot 2:** Insert a half-length, full-height PCI Express or PCI-X adapter into this slot. Standard models of the server come with one PCI Express riser-card assembly installed in this slot. You can purchase an optional PCI-X riser-card assembly with bracket if you want to install a PCI-X adapter in this slot.
- **Power cord connector:** Connect the power cord to this connector.
- **Video connector:** Connect a monitor to this connector. The video connectors on the front and rear of the server can be used simultaneously.

Note: The maximum video resolution is 1600 x 1200 at 75 Hz.

- **Serial connector:** Connect a 9-pin serial device to this connector. The serial port is shared with the integrated management module (IMM). The IMM can take control of the shared serial port to perform text console redirection and to redirect serial traffic, using Serial over LAN (SOL).
- **USB connectors:** Connect a USB device, such as a USB mouse or keyboard to any of these connectors.
- **Systems-management Ethernet connector:** Use this connector to connect the server to a network for full systems-management information control.
- **Ethernet connectors:** Use either of these connectors to connect the server to a network. When you use the Ethernet 1 connector, the network can be shared with the IMM through a single network cable.

The following illustration shows the LEDs on the rear of the server.

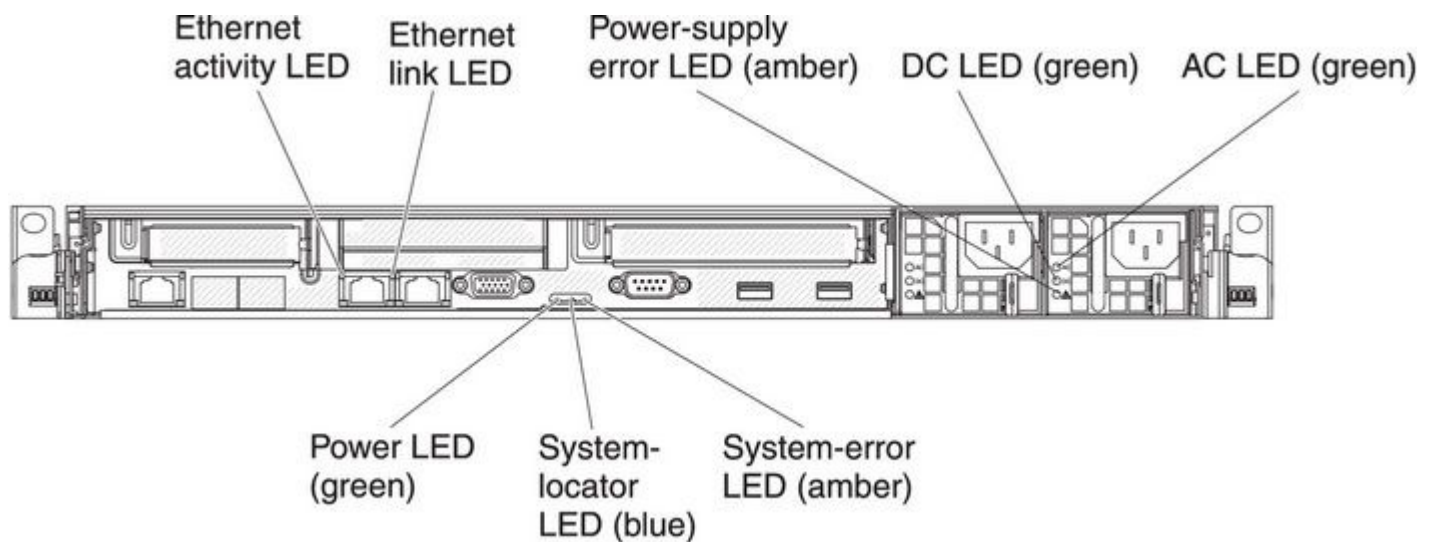


Figure 10. Rear view LEDs

The following illustration shows the LEDs on a dc power supply.

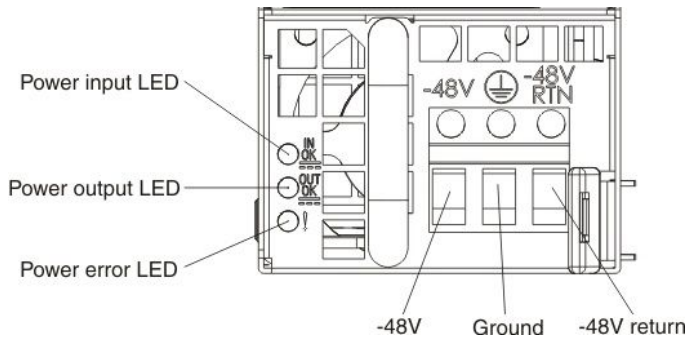


Figure 11. DC power supply LEDs

- **Ethernet activity LEDs:** When these LEDs are lit, they indicate that the server is transmitting to or receiving signals from the Ethernet LAN that is connected to the Ethernet port.
- **Ethernet link LEDs:** When these LEDs are lit, they indicate that there is an active link connection on the 10BASE-T, 100BASE-TX, or 1000BASE-TX interface for the Ethernet port.
- **AC power LED:** Each hot-swap ac power supply has an ac power LED and a dc power LED. When the ac power LED is lit, it indicates that sufficient power is coming into the power supply through the power cord. During typical operation, both the ac and dc power LEDs are lit. For any other combination of LEDs, see “Power-supply LEDs” on page 27.
- **IN OK power LED:** Each hot-swap dc power supply has an IN OK power LED and an OUT OK power LED. When the IN OK power LED is lit, it indicates that sufficient power is coming into the power supply through the power cord. During typical operation, both the IN OK and OUT OK power LEDs are lit. For any other combination of LEDs, see “Power-supply LEDs” on page 27.
- **DC power LED:** Each hot-swap power supply has a dc power LED and an ac power LED. When the dc power LED is lit, it indicates that the power supply is supplying adequate dc power to the system. During typical operation, both the ac and dc power LEDs are lit. For any other combination of LEDs, see “Power-supply LEDs” on page 27.
- **OUT OK power LED:** Each hot-swap dc power supply has an IN OK power LED and an OUT OK power LED. When the OUT OK power LED is lit, it indicates that the power supply is supplying adequate dc power to the system. During typical operation, both the IN OK and OUT OK power LEDs are lit. For any other combination of LEDs, see “Power-supply LEDs” on page 27.
- **Power-supply error LED:** When the power-supply error LED is lit, it indicates that the power supply has failed.

Note: Power supply 1 is the default/primary power supply. If power supply 1 fails, you must replace the power supply immediately.

- **System-error LED:** When this LED is lit, it indicates that a system error has occurred. An LED on the light path diagnostics panel is also lit to help isolate the error.
- **Power-on LED:** When this LED is lit and not flashing, it indicates that the server is turned on. The states of the power-on LED are as follows:

Off: Power is not present, or the power supply or the LED itself has failed.

Flashing rapidly (4 times per second): The server is turned off and is not ready to be turned on. The power-control button is disabled. This will last approximately 20 to 40 seconds.

Flashing slowly (once per second): The server is turned off and is ready to be turned on. You can press the power-control button to turn on the server.

Lit: The server is turned on.

Fading on and off: The server is in a reduced-power state. To wake the server, press the power-control button or use the IMM web interface. See “Logging on to the Web interface” on page 129 for information on logging on to the IMM web interface.

- **System-locator LED:** Use this LED to visually locate the server among other servers. You can use IBM Systems Director to light this LED remotely.

Power-supply LEDs

Use this information to view power-supply LEDs.

The following minimum configuration is required for the server to start:

- One microprocessor in microprocessor socket 1
- One 2 GB DIMM for each microprocessor installed (one 2 GB DIMM in slot 3 if only one microprocessor installed)
- One power supply
- Power cord
- Five cooling fans (fan 1, 2, 3, 4, and 5)
- One PCI riser-card assembly in PCI connector 2
- One ServeRAID SAS/SATA controller

AC power-supply LEDs

Use this information to view AC power-supply LEDs.

The following illustration shows the location of the AC power-supply LEDs on the rear of the server. See the *Problem Determination and Service Guide* for additional information about solving power-supply problems.

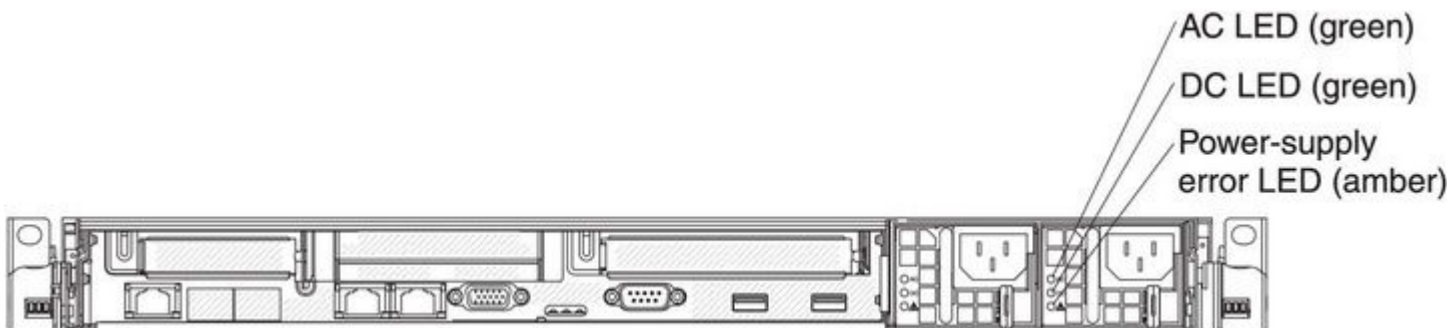


Figure 12. AC power-supply LEDs

The following table describes the problems that are indicated by various combinations of the power-supply LEDs on an ac power supply and suggested actions to correct the detected problems.

| AC power-supply LEDs | | | Description | Action | Notes |
|----------------------|-----|-----------|--|---|---|
| AC | DC | Error (!) | | | |
| On | On | Off | Normal operation | | |
| Off | Off | Off | No ac power to the server or a problem with the ac power source. | <ol style="list-style-type: none"> 1. Check the ac power to the server. 2. Make sure that the power cord is connected to a functioning power source. 3. Restart the server. If the error remains, check the power-supply LEDs. 4. Replace the power-supply. | This is a normal condition when no ac power is present. |

| AC power-supply LEDs | | | Description | Action | Notes |
|----------------------|-----|-----------|--|--|--|
| AC | DC | Error (!) | | | |
| Off | Off | On | No ac power to the server or a problem with the ac power source and the power-supply had detected an internal problem. | <ul style="list-style-type: none"> Make sure that the power cord is connected to a functioning power source. Replace the power supply. | This happens only when a second power supply is providing power to the server. |
| Off | On | Off | Faulty power-supply | Replace the power supply. | |
| Off | On | On | Faulty power-supply | Replace the power supply. | |
| On | Off | Off | Power-supply not fully seated, faulty system board, or faulty power-supply | <ol style="list-style-type: none"> Reseat the power supply. If a power channel error LED on the system board is not lit, replace the power-supply (see the documentation that comes with the power supply for instructions). If a power channel error LED on the system board is lit, (trained service technician only) replace the system board. | Typically indicates a power-supply is not fully seated. |
| On | Off | On | Faulty power-supply | Replace the power supply. | |
| On | On | On | Power-supply is faulty but still operational | Replace the power supply. | |

DC power-supply LEDs

Use this information to view DC power-supply LEDs.

The following illustration shows the locations of the power-supply LEDs on the dc power supply.

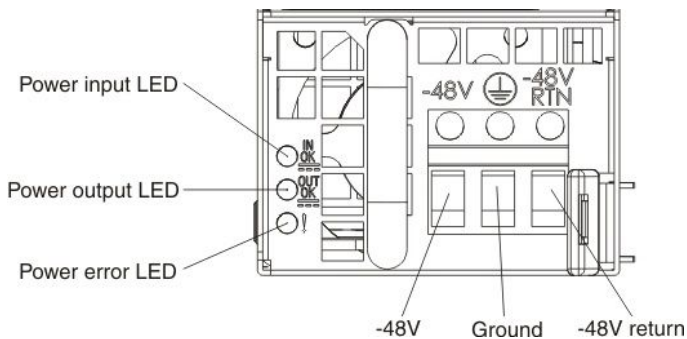


Figure 13. DC power-supply LEDs

The following table describes the problems that are indicated by various combinations of the power-supply LEDs on a dc power supply and suggested actions to correct the detected problems.

| DC power-supply LEDs | | | Description | Action | Notes |
|----------------------|--------|-----------|--|---|---|
| IN OK | OUT OK | Error (!) | | | |
| On | On | Off | Normal operation | | |
| Off | Off | Off | No dc power to the server or a problem with the dc power source. | <ol style="list-style-type: none"> 1. Check the dc power to the server. 2. Make sure that the power cord is connected to a functioning power source. 3. Restart the server. If the error remains, check the power-supply LEDs. 4. Replace the power-supply. | This is a normal condition when no dc power is present. |
| Off | Off | On | No dc power to the server or a problem with the dc power source and the power-supply had detected an internal problem. | <ul style="list-style-type: none"> • Make sure that the power cord is connected to a functioning power source. • Replace the power supply (see the documentation that comes with the power supply for instructions). | |
| Off | On | Off | Faulty power-supply | Replace the power supply. | |
| Off | On | On | Faulty power-supply | Replace the power supply. | |
| On | Off | Off | Power-supply not fully seated, faulty system board, or faulty power-supply | <ol style="list-style-type: none"> 1. (Trained service technician only) Reseat the power supply. 2. If a power channel error LED on the system board is not lit, replace the power-supply (see the documentation that comes with the power supply for instructions). 3. If a power channel error LED on the system board is lit, (trained service technician only) replace the system board. | Typically indicates a power-supply is not fully seated. |
| On | Off | On | Faulty power-supply | Replace the power supply. | |
| On | On | On | Power-supply is faulty but still operational | Replace the power supply. | |

System pulse LEDs

The following LEDs are on the system board and monitors the system power-on and power-off sequencing and boot progress.

See “System-board LEDs” on page 40 for the location of these LEDs.

Table 5. System pulse LEDs

| LED | Description | Action |
|--------------------------------|------------------------------------|--|
| Enclosure management heartbeat | Power-on and power-off sequencing. | <ol style="list-style-type: none"> 1. If the LED blinks at 1Hz, it is functioning properly and no action is necessary. 2. If the LED is not blinking, (trained service technician only) replace the system board. |
| IMM heartbeat | IMM heartbeat boot process. | <p>The following steps describe the different stages of the IMM heartbeat sequencing process.</p> <ol style="list-style-type: none"> 1. When this LED is blinking fast (approximately 4Hz), this indicates, that the IMM code is in the loading process. 2. When this LED goes off momentarily, this indicates that the IMM code has loaded completely. 3. When this LED goes off momentarily and then starts blinking slowing (approximately 1Hz), this indicates that IMM is fully operational. You can now press the power-control button to power-on the server. 4. If this LED does not blink within 30 seconds of connecting a power source to the server, complete the following steps: <ol style="list-style-type: none"> a. (Trained service technician only) use the IMM recovery jumper to recover the firmware (see "System-board switches and jumpers" on page 37). b. (Trained service technician only) replace the system board. |

Server power features

When the server is connected to a power source but is not turned on, the operating system does not run, and all core logic except for the service processor (the integrated management module) is shut down; however, the server can respond to requests from the service processor, such as a remote request to turn on the server.

The power-on LED flashes to indicate that the server is connected to a power source but is not turned on.

Turning on the server

Use this information to turn on the server.

Approximately 5 seconds after the server is connected to power, one or more fans might start running to provide cooling while the server is connected to power and the power-on button LED will blink quickly. Approximately 20 to 40 seconds after the server is connected to power, the power-control button becomes

active (the power-on LED will blink slowly), and one or more fans might start running to provide cooling while the server is connected to power. You can turn on the server by pressing the power-control button.

The server can also be turned on in any of the following ways:

- If a power failure occurs while the server is turned on, the server will restart automatically when power is restored.
- If your operating system supports the Wake on LAN feature, the Wake on LAN feature can turn on the server.

Note: When 4 GB or more of memory (physical or logical) is installed, some memory is reserved for various system resources and is unavailable to the operating system. The amount of memory that is reserved for system resources depends on the operating system, the configuration of the server, and the configured PCI options.

Turning off the server

Use this information to turn off the server.

When you turn off the server and leave it connected to power, the server can respond to requests from the service processor, such as a remote request to turn on the server. While the server remains connected to power, one or more fans might continue to run. To remove all power from the server, you must disconnect it from the power source.

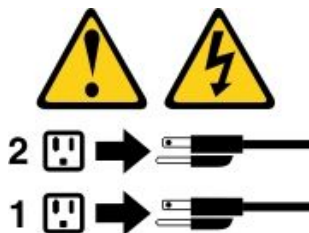
Some operating systems require an orderly shutdown before you turn off the server. See your operating-system documentation for information about shutting down the operating system.

Statement 5



CAUTION:

The power control button on the device and the power switch on the power supply do not turn off the electrical current supplied to the device. The device also might have more than one power cord. To remove all electrical current from the device, ensure that all power cords are disconnected from the power source.



The server can be turned off in any of the following ways:

- You can turn off the server from the operating system, if your operating system supports this feature. After an orderly shutdown of the operating system, the server will turn off automatically.
- You can press the power-control button to start an orderly shutdown of the operating system and turn off the server, if your operating system supports this feature.
- If the operating system stops functioning, you can press and hold the power-control button for more than 4 seconds to turn off the server.
- The server can be turned off by Wake on LAN feature with the following limitation:

- To install any PCI adapter, the power cords must be removed from the power source before you remove the PCI Express riser assembly and the PCI-X riser assembly. Otherwise, this will cause the active power management event signal to become disabled by the system board logic and Wake on LAN might not work. However, after the server is powered-on locally, the active power management event signal will be enabled by the system board logic.
- The integrated management module (IMM) can turn off the server as an automatic response to a critical system failure.

Chapter 2. Installing optional devices

This section provides detailed instructions for installing optional hardware devices in the server.

Instructions for IBM Business Partners

In addition to the instructions in this section for installing optional hardware devices, updating firmware and device drivers, and completing the installation, IBM Business Partners must also complete the following steps.

1. After you have confirmed that the server starts correctly and recognizes the newly installed devices and that no error LEDs are lit, run the Dynamic System Analysis (DSA) stress test.
2. Shut down and restart the server multiple times to ensure that the server is correctly configured and functions correctly with the newly installed devices.
3. Save the DSA log as a file and send it to IBM. For information about transferring data and logs, see “How to send DSA data” on page 33.
4. To ship the server, repackage it in the original undamaged packing material and observe IBM procedures for shipping.

Support information for IBM Business Partners is available at <http://www.ibm.com/partnerworld/>.

How to send DSA data

You can use the Enhanced Customer Data Repository to send diagnostic data to IBM.

Before you send diagnostic data to IBM, read the terms of use at <http://www.ibm.com/de/support/ecurep/terms.html>.

You can use any of the following methods to send diagnostic data:

- **Standard upload:** http://www.ibm.com/de/support/ecurep/send_http.html
- **Standard upload with the system serial number:** http://www.ecurep.ibm.com/app/upload_hw
- **Secure upload:** http://www.ibm.com/de/support/ecurep/send_http.html#secure
- **Secure upload with the system serial number:** https://www.ecurep.ibm.com/app/upload_hw

Server components

The following illustration shows the major components in the server.

The illustrations in this document might differ slightly from your hardware.

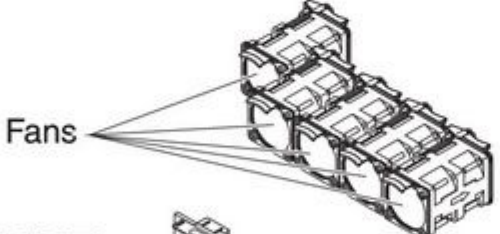
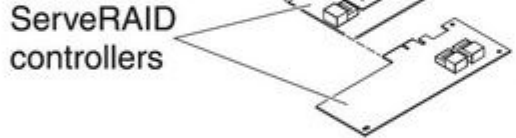
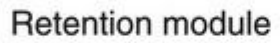
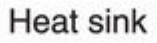
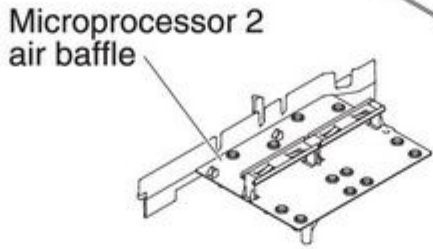
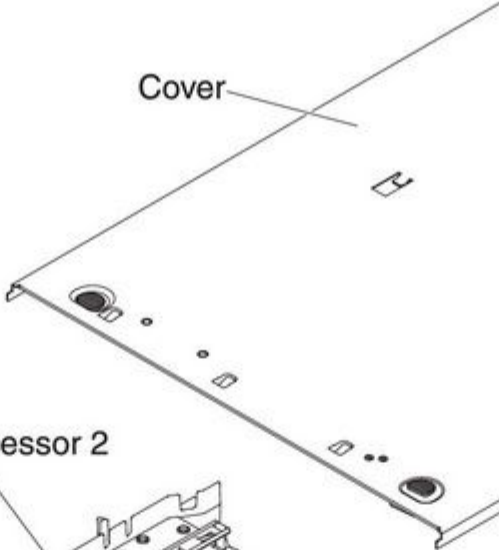
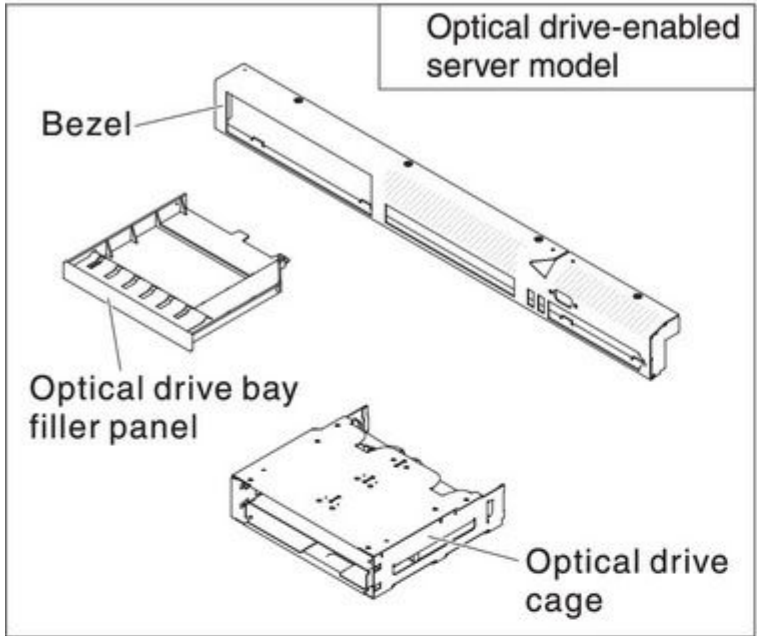


Figure 14. Server components

System-board internal connectors

The following illustration shows the internal connectors on the system board.

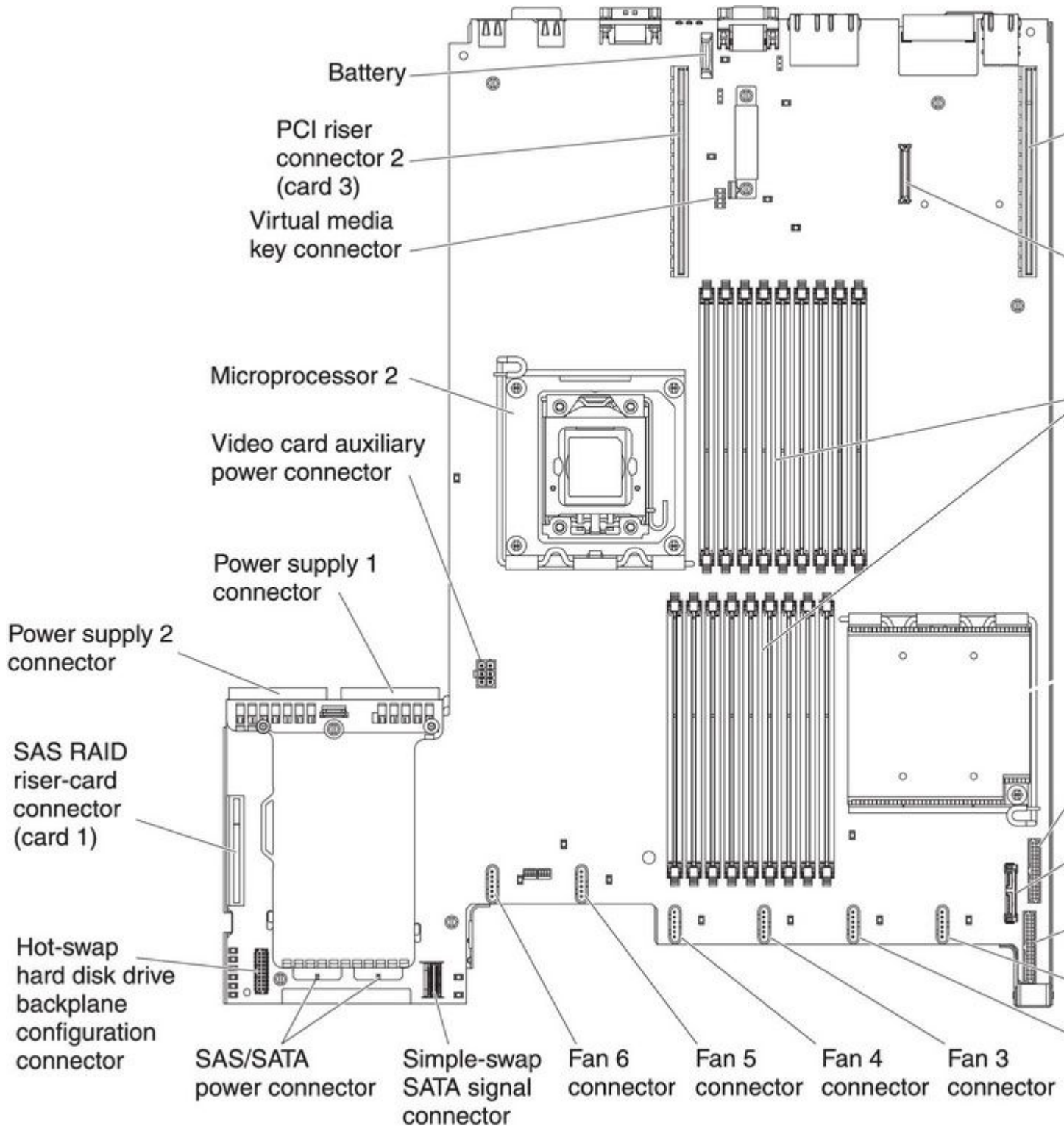


Figure 15. System-board internal connectors

System-board external connectors

The following illustration shows the external connectors on the system board.

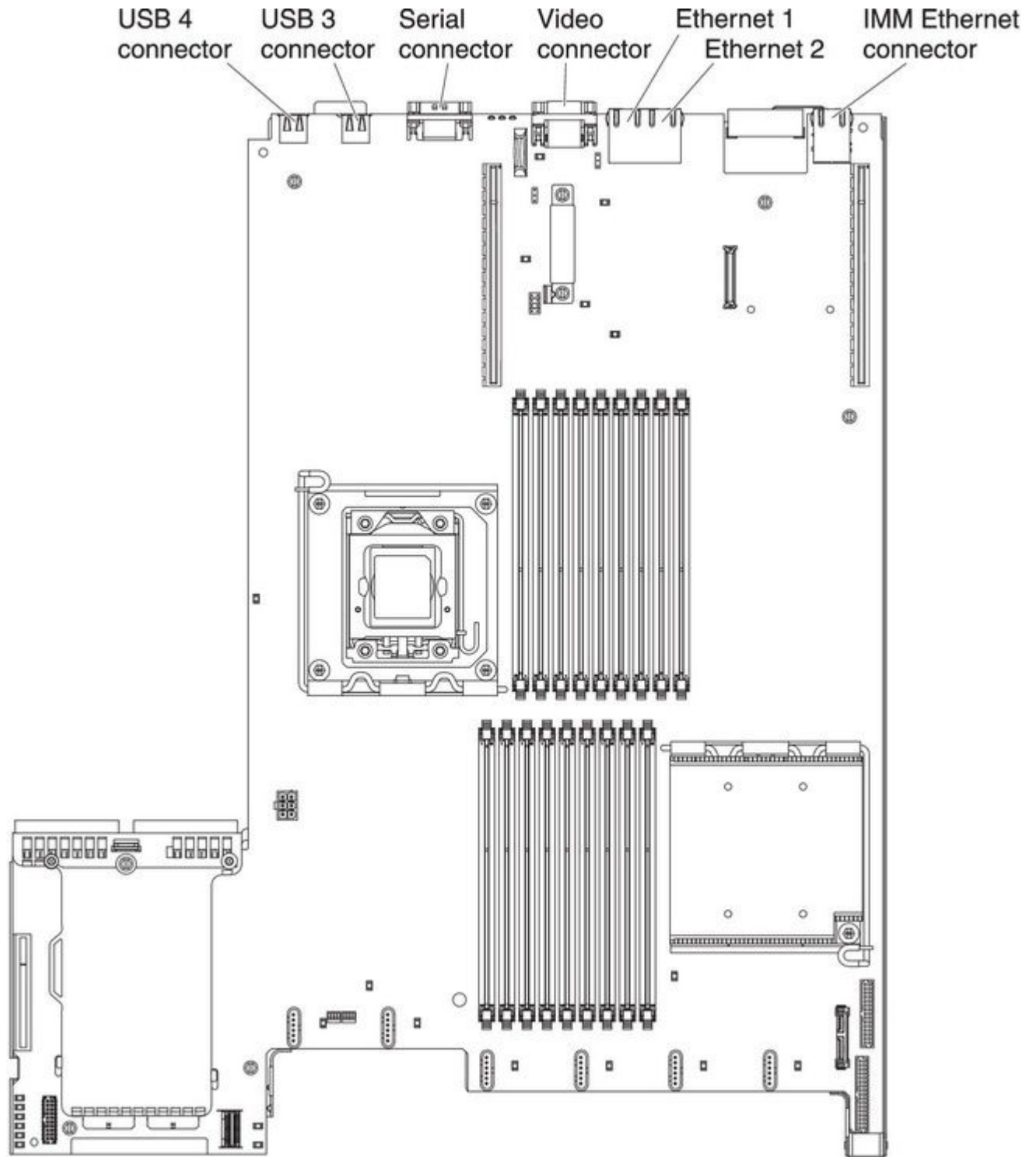


Figure 16. System-board external connectors

System-board switches and jumpers

The following illustration shows the location and description of the switches and jumpers.

Note: If there is a clear protective sticker on the top of the switch blocks, you must remove and discard it to access the switches.

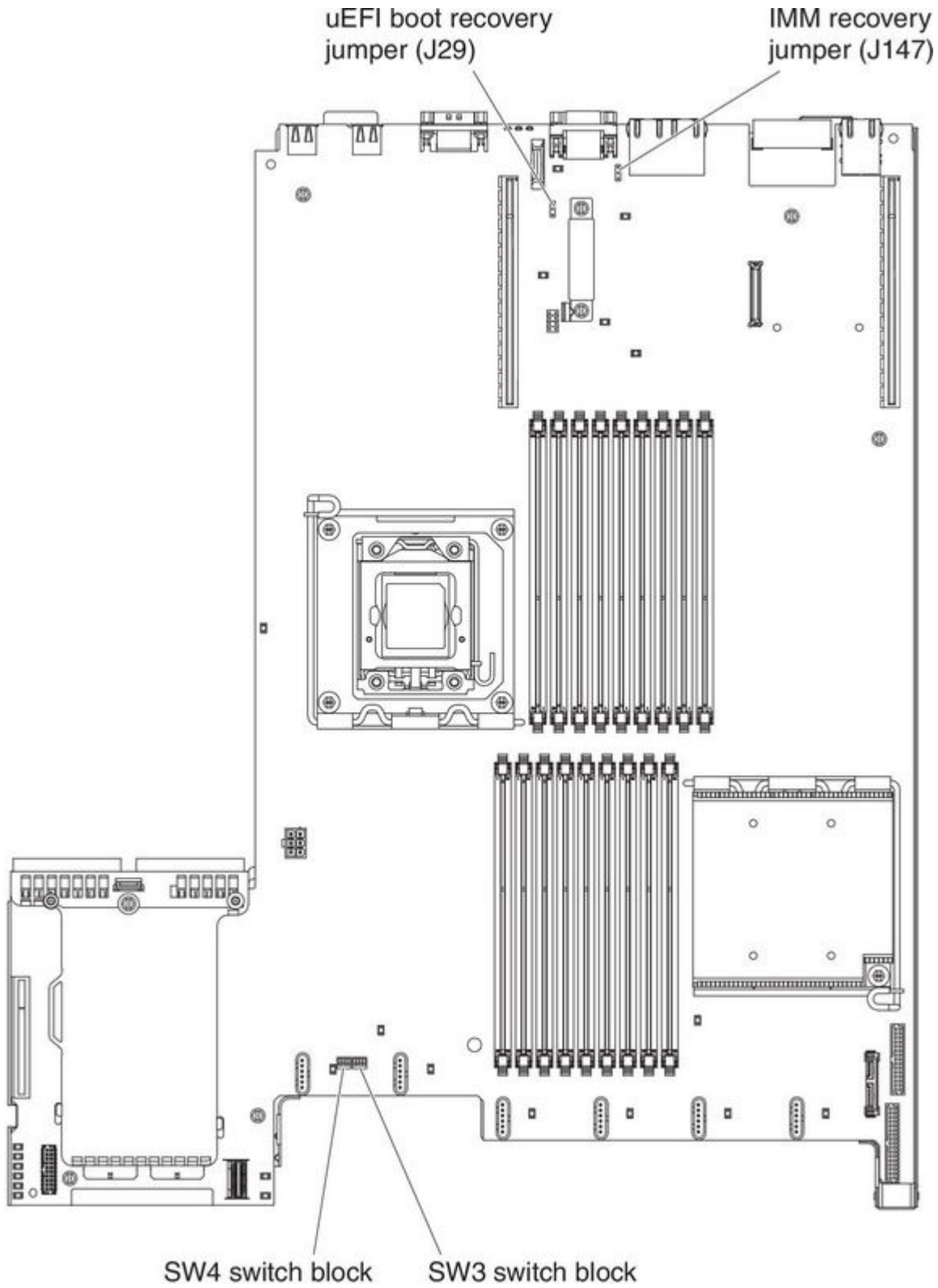


Figure 17. System-board switches and jumpers

Table 6. System board jumpers

| Jumper number | Jumper name | Jumper setting |
|--|---------------------------|--|
| J29 | UEFI boot recovery jumper | <ul style="list-style-type: none"> • Pins 1 and 2: Normal (default) Loads the primary server firmware ROM page. • Pins 2 and 3: Loads the secondary (backup) server firmware ROM page. |
| J147 | IMM recovery jumper | <ul style="list-style-type: none"> • Pins 1 and 2: Normal (default) Loads the primary IMM firmware ROM page. • Pins 2 and 3: Loads the secondary (backup) IMM firmware ROM page. |
| <p>1. If no jumper is present, the server responds as if the pins are set to 1 and 2.</p> <p>2. Changing the position of the UEFI boot recovery jumper (J29) from pins 1 and 2 to pins 2 and 3 before the server is turned on alters which flash ROM page is loaded. Do not change the jumper pin position after the server is turned on. This can cause an unpredictable problem.</p> | | |

The following table describes the functions of the SW3 switch block on the system board.

Table 7. System board SW3 switch block definition

| Switch number | Default position | Description |
|---------------|------------------|---|
| 1 | Off | Clear CMOS memory. When this switch is toggled to On, it clears the data in CMOS memory. |
| 2 | Off | Trust Platform Module (TPM) physical presence. Turning this switch to the on position indicates a physical presence to the TPM. |
| 3 | Off | Reserved. |
| 4 | Off | Reserved. |

The following table describes the functions of the SW4 switch block on the system board.

Table 8. System board SW4 switch block definition

| Switch number | Default position | Description |
|---------------|------------------|--|
| 1 | Off | <p>Power-on password override. Changing the position of this switch bypasses the power-on password check the next time the server is turned on and starts the Setup utility so that you can change or delete the power-on password. You do not have to move the switch back to the default position after the power-on password is overridden.</p> <p>Changing the position of this switch does not affect the administrator password check if an administrator password is set.</p> |

Table 8. System board SW4 switch block definition (continued)

| Switch number | Default position | Description |
|---------------|------------------|---|
| | | See “Passwords” on page 121 for additional information about passwords. |
| 2 | Off | When you toggle this switch On and then Off, you force a power-on, which overrides the power-on and power-off button on the server and they become nonfunctional. |
| 3 | Off | (Trained service technician only) Forced power permission. Changing the position of this switch overrides the IMM power-on checking process. |
| 4 | Off | Reserved. |

Important:

1. Before you change any switch settings or move any jumpers, turn off the server; then, disconnect all power cords and external cables. Review the information in “Safety” on page iii, “Installation guidelines” on page 43, “Handling static-sensitive devices” on page 45, and “Turning off the server” on page 31.
2. Any system-board switch or jumper blocks that are not shown in the illustrations in this document are reserved.

System-board LEDs

The following illustration shows the light-emitting diodes (LEDs) on the system board.

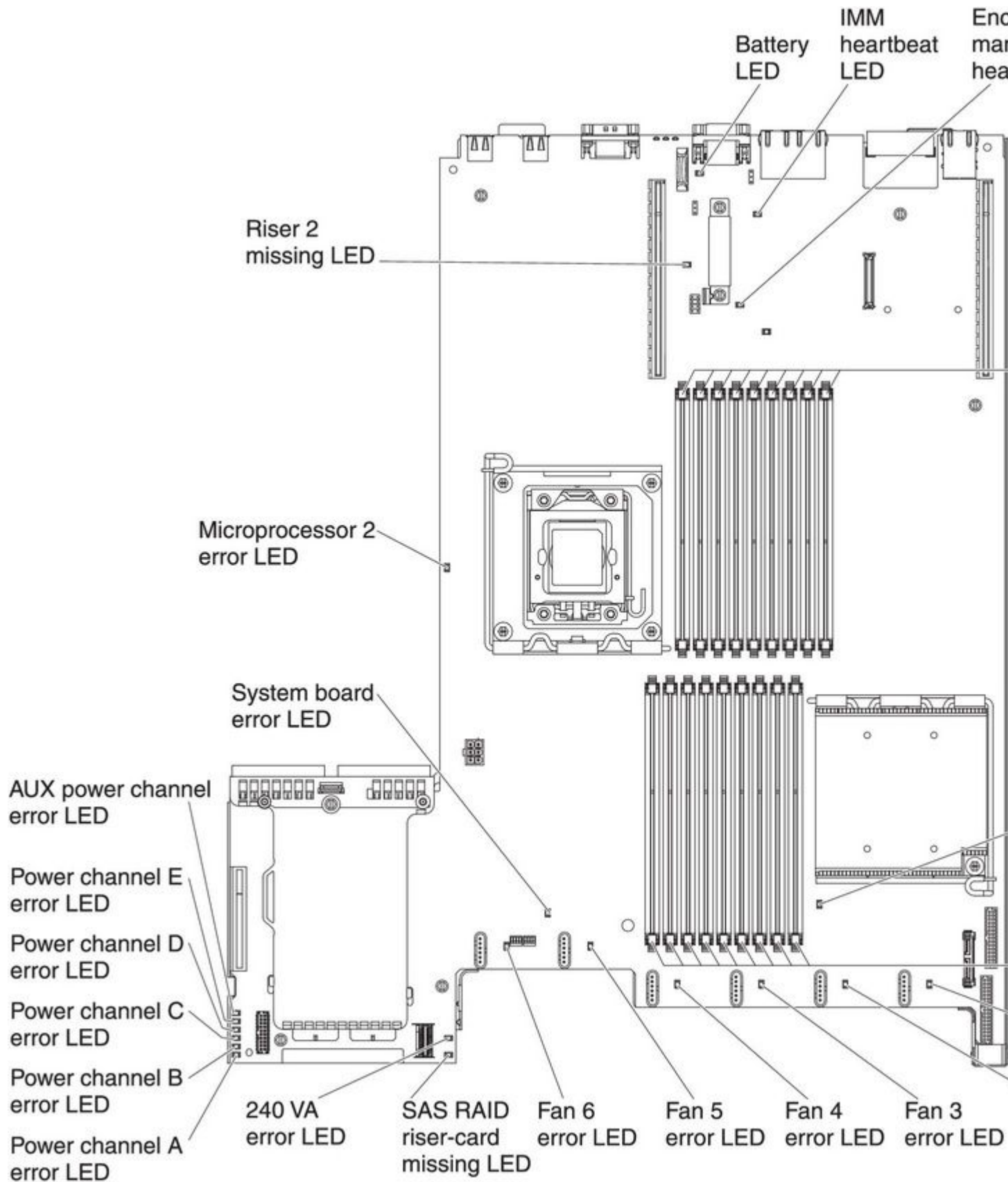


Figure 18. System-board LEDs

System-board optional device connectors

The following illustration shows the connectors for user-installable options.

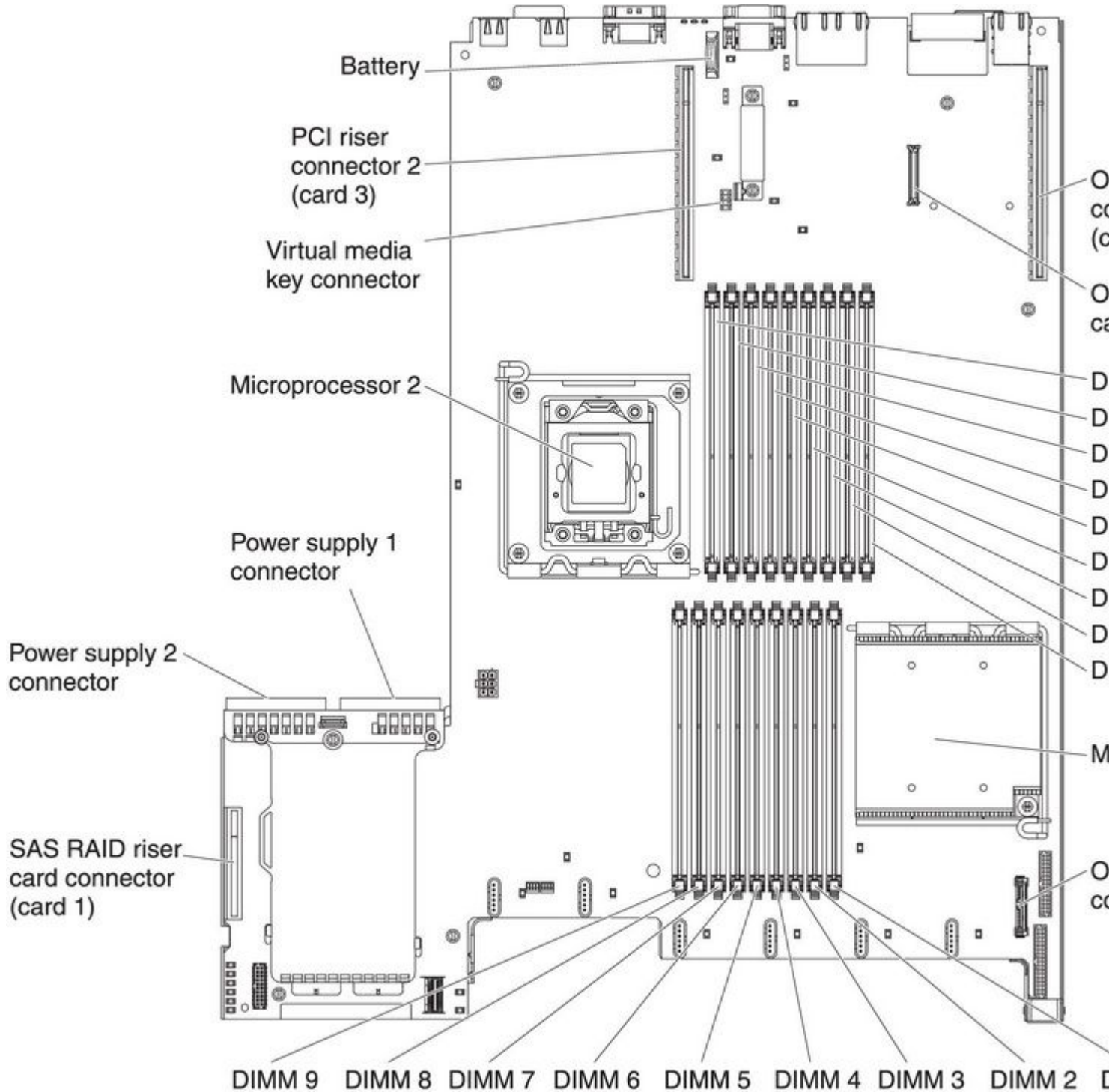


Figure 19. System-board optional device connectors

Installation guidelines

Use this information for installation.

Attention: Static electricity that is released to internal server components when the server is powered-on might cause the system to halt, which might result in the loss of data. To avoid this potential problem, always use an electrostatic-discharge wrist strap or other grounding system when removing or installing a hot-swap device.

Before you install optional devices, read the following information:

- Read the safety information in “Safety” on page iii, the guidelines in “Working inside the server with the power on” on page 44, and “Handling static-sensitive devices” on page 45. This information will help you work safely.
- Make sure that the devices that you are installing are supported. For a list of supported optional devices for the server, see <http://www.ibm.com/systems/info/x86servers/serverproven/compat/us/>.
- When you install your new server, take the opportunity to download and apply the most recent firmware updates. This step will help to ensure that any known issues are addressed and that your server is ready to function at maximum levels of performance. To download firmware updates for your server, go to <http://www.ibm.com/support/fixcentral/>.

Important: Some cluster solutions require specific code levels or coordinated code updates. If the device is part of a cluster solution, verify that the latest level of code is supported for the cluster solution before you update the code.

For additional information about tools for updating, managing, and deploying firmware, see the ToolsCenter for System x and BladeCenter at <http://publib.boulder.ibm.com/infocenter/toolsctr/v1r0/>.

- Before you install optional hardware, make sure that the server is working correctly. Start the server, and make sure that the operating system starts, if an operating system is installed, or that a 19990305 error code is displayed, indicating that an operating system was not found but the server is otherwise working correctly. If the server is not working correctly, see the *Problem Determination and Service Guide* on the IBM System x Documentation CD for diagnostic information.
- Observe good housekeeping in the area where you are working. Place removed covers and other parts in a safe place.
- If you must start the server while the server cover is removed, make sure that no one is near the server and that no tools or other objects have been left inside the server.
- Do not attempt to lift an object that you think is too heavy for you. If you have to lift a heavy object, observe the following precautions:
 - Make sure that you can stand safely without slipping.
 - Distribute the weight of the object equally between your feet.
 - Use a slow lifting force. Never move suddenly or twist when you lift a heavy object.
 - To avoid straining the muscles in your back, lift by standing or by pushing up with your leg muscles.
- Make sure that you have an adequate number of properly grounded electrical outlets for the server, monitor, and other devices.
- Back up all important data before you make changes to disk drives.
- Have a small flat-blade screwdriver, a small Phillips screwdriver, and a T8 torx screwdriver available.
- You do not have to turn off the server to install or replace hot-swap power supplies, hot-swap fans, or hot-plug Universal Serial Bus (USB) devices. However, you must turn off the server before you perform any steps that involve removing or installing adapter cables and you must disconnect the power source from the server before you perform any steps that involve removing or installing a riser card.

- Blue on a component indicates touch points, where you can grip the component to remove it from or install it in the server, open or close a latch, and so on.
- Orange on a component or an orange label on or near a component indicates that the component can be hot-swapped, which means that if the server and operating system support hot-swap capability, you can remove or install the component while the server is running. (Orange can also indicate touch points on hot-swap components.) See the instructions for removing or installing a specific hot-swap component for any additional procedures that you might have to perform before you remove or install the component.
- When you are finished working on the server, reinstall all safety shields, guards, labels, and ground wires.

System reliability guidelines

To help ensure proper system cooling and system reliability, make sure that the following requirements are met.

To help ensure proper system cooling and system reliability, make sure that the following requirements are met:

- Each of the drive bays has a drive or a filler panel and electromagnetic compatibility (EMC) shield installed in it.
- If the server has redundant power, each of the power-supply bays has a power supply installed in it.
- There is adequate space around the server to allow the server cooling system to work properly. Leave approximately 50 mm (2.0 in.) of open space around the front and rear of the server. Do not place objects in front of the fans. For proper cooling and airflow, replace the server cover before you turn on the server.
- You have followed the cabling instructions that come with optional adapters.
- You have replaced a failed fan within 48 hours.
- You have replaced a hot-swap fan within 30 seconds of removal.
- You have replaced a hot-swap drive within 2 minutes of removal.
- You do not operate the server without the air baffle installed. Operating the server without the air baffle might cause the microprocessor to overheat.
- Microprocessor socket 2 always contains either a microprocessor baffle or a microprocessor and heat sink.
- You have installed the sixth fan when you installed the second microprocessor option.

Working inside the server with the power on

Use this information when working inside the server with the power on.

Attention: Static electricity that is released to internal server components when the server is powered-on might cause the server to halt, which might result in the loss of data. To avoid this potential problem, always use an electrostatic-discharge wrist strap or other grounding system when you work inside the server with the power on.

The server supports hot-plug, hot-add, and hot-swap devices and is designed to operate safely while it is turned on and the server cover is removed. Follow these guidelines when you work inside a server that is turned on:

- Avoid wearing loose-fitting clothing on your forearms. Button long-sleeved shirts before working inside the server; do not wear cuff links while you are working inside the server.
- Do not allow your necktie or scarf to hang inside the server.
- Remove jewelry, such as bracelets, necklaces, rings, and loose-fitting wrist watches.
- Remove items from your shirt pocket, such as pens and pencils, that could fall into the server as you lean over it.

- Avoid dropping any metallic objects, such as paper clips, hairpins, and screws, into the server.

Handling static-sensitive devices

Use this information to handle static-sensitive devices.

Attention: Static electricity can damage the server and other electronic devices. To avoid damage, keep static-sensitive devices in their static-protective packages until you are ready to install them.

To reduce the possibility of damage from electrostatic discharge, observe the following precautions:

- Limit your movement. Movement can cause static electricity to build up around you.
- The use of a grounding system is recommended. For example, wear an electrostatic-discharge wrist strap, if one is available. Always use an electrostatic-discharge wrist strap or other grounding system when working inside the server with the power on.
- Handle the device carefully, holding it by its edges or its frame.
- Do not touch solder joints, pins, or exposed circuitry.
- Do not leave the device where others can handle and damage it.
- While the device is still in its static-protective package, touch it to an unpainted metal surface on the outside of the server for at least 2 seconds. This drains static electricity from the package and from your body.
- Remove the device from its package and install it directly into the server without setting down the device. If it is necessary to set down the device, put it back into its static-protective package. Do not place the device on the server cover or on a metal surface.
- Take additional care when handling devices during cold weather. Heating reduces indoor humidity and increases static electricity.

Internal cable routing and connectors

Use this information to view the cable connection and connectors.

The following illustration shows the internal routing and connectors for the two SAS signal cables (in server models with eight drive bays).

Notes:

1. To connect the SAS signal cables, make sure that you first connect the signal cable, and then the power cable and configuration cable.
2. To disconnect the SAS signal cables, make sure that you first disconnect the power cable, and then the signal cable and configuration cable.

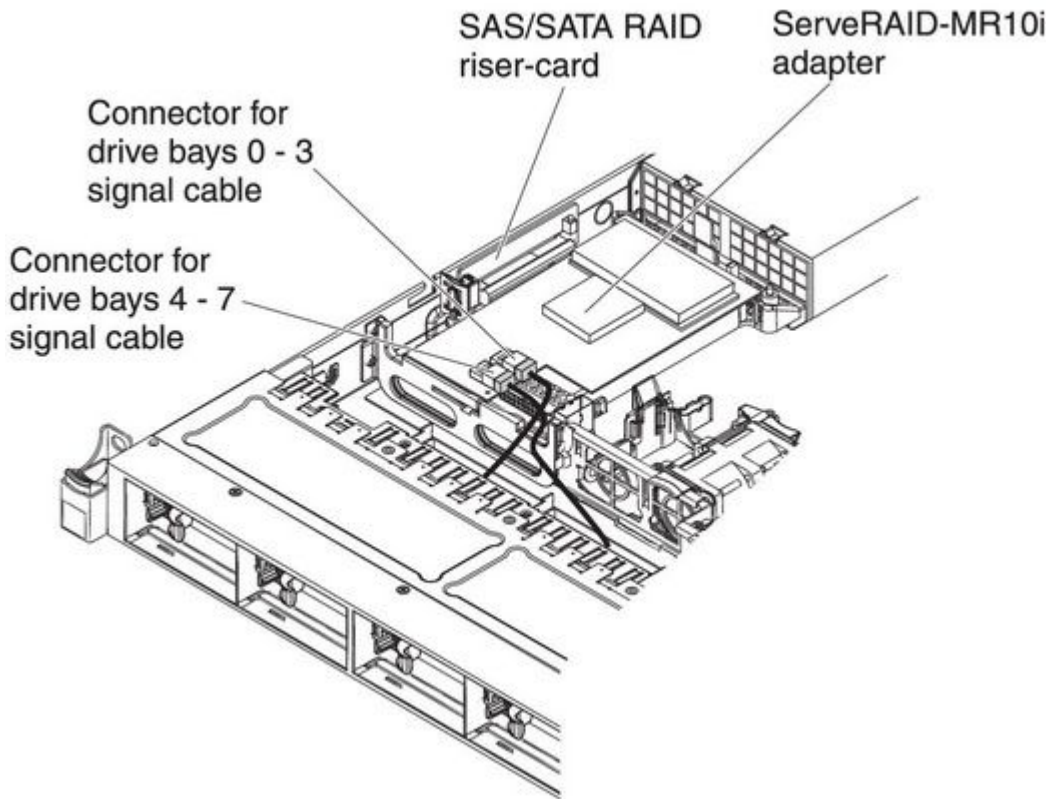


Figure 20. ServeRAID adapter cable connection

The following illustration shows the internal routing and connector for the optional optical drive cable.

Attention: To disconnect the optional optical drive cable, you must first press the connector release tab, and then disconnect the cable from the connector on the system board. Do not disconnect the cable by using excessive force.

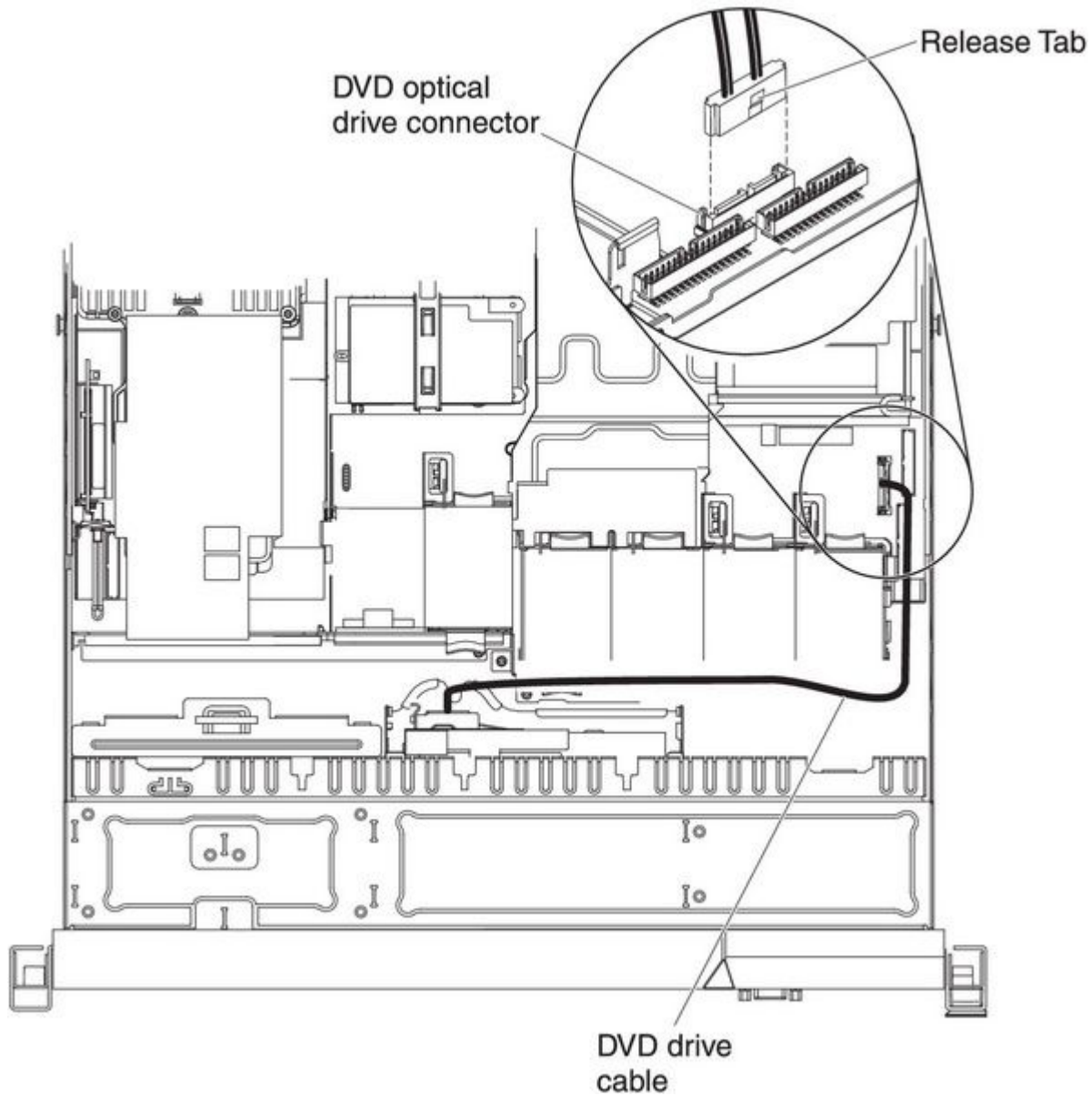


Figure 21. DVD drive cable connection

The following illustration shows the internal routing and connector for the operator information panel cable. The following notes describe additional information you must consider when you install or remove the operator information panel cable:

- You may remove the optional optical drive cable to obtain more room before you install or remove the operator information panel cable.
- To remove the operator information panel cable, slightly press the cable toward the chassis; then, pull to remove the cable from the connector on the system board. Pulling the cable out of the connector by excessive force might cause damage to the cable or connector.
- To connect the operator information panel cable on the system board, press evenly on the cable. Pressing on one side of the cable might cause damage to the cable or connector.

Attention: Failing to install or remove the cable with care may damage the connectors on the system board. Any damage to the connectors may require replacing the system board.

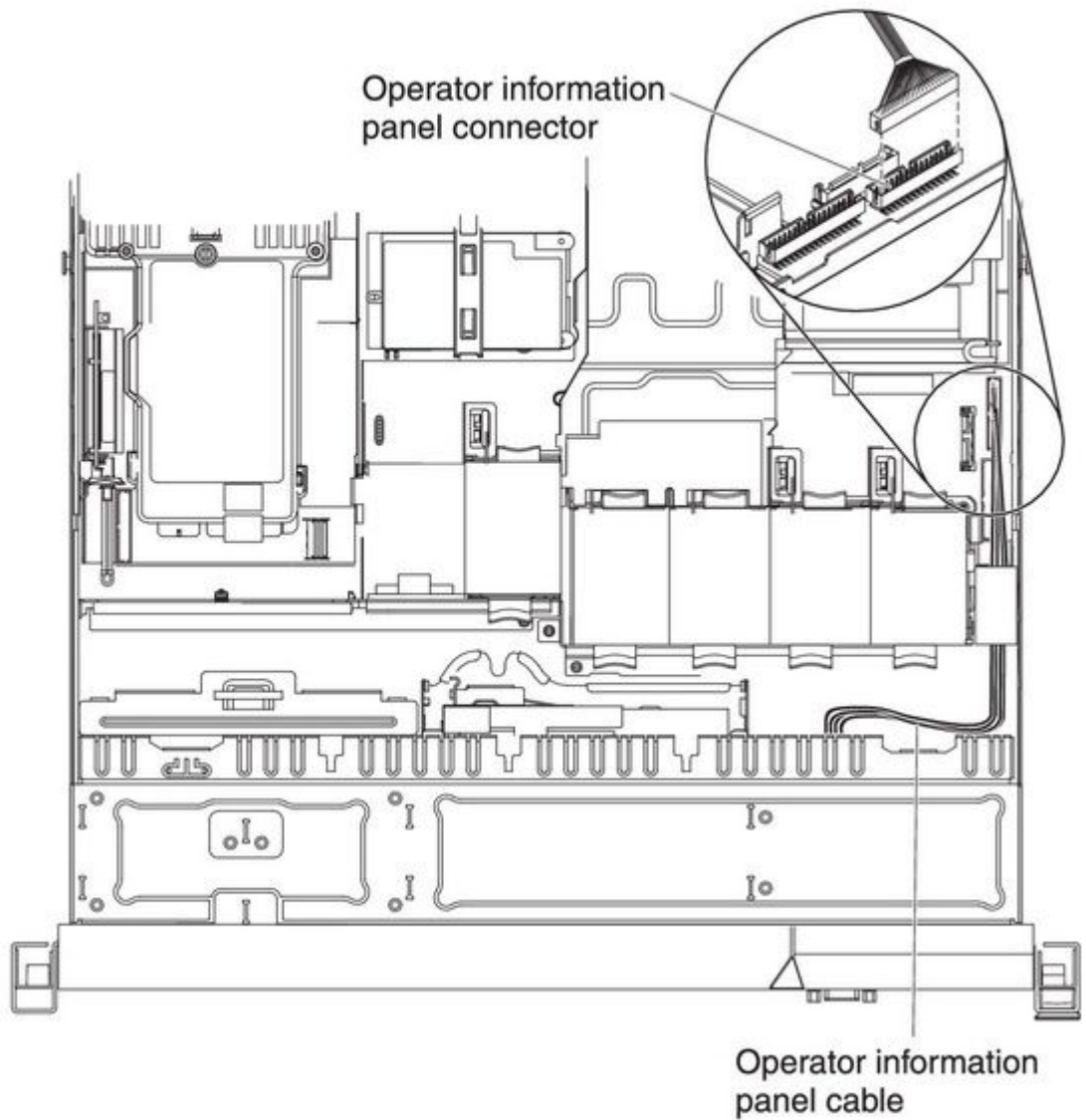


Figure 22. Operator information panel cable connection

The following illustration shows the internal routing and connector for the USB/video cable. The following notes describes other information you must consider when you install or remove the USB/video cable:

- You may remove the optional optical drive cable to obtain more room before you install or remove the operator information panel cable.
- The USB/video cable is routed under the video cable and then both the USB and video cables are routed under the cable retention tab and the top cover latch receptacle.

- To remove the USB/video cable, slightly press the cable toward the chassis; then, pull to remove the cable from the connector on the system board. Pulling the cable out of the connector by excessive force might cause damage to the cable or connector.
- To connect the USB/video cable on the system board, press evenly on the cable. Pressing on one side of the cable might cause damage to the cable or connector.

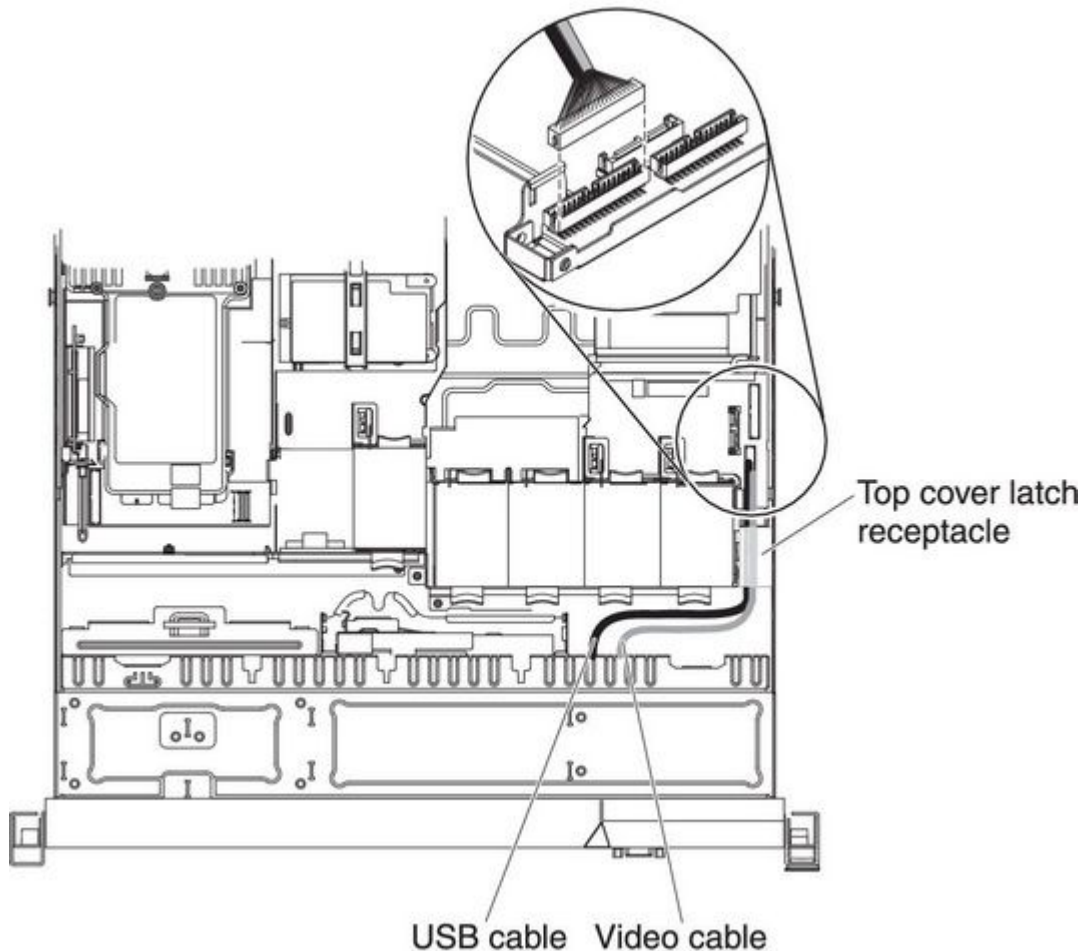


Figure 23. USB/video cable connection

The following illustration shows the internal routing for the SATA power cable and signal cable.

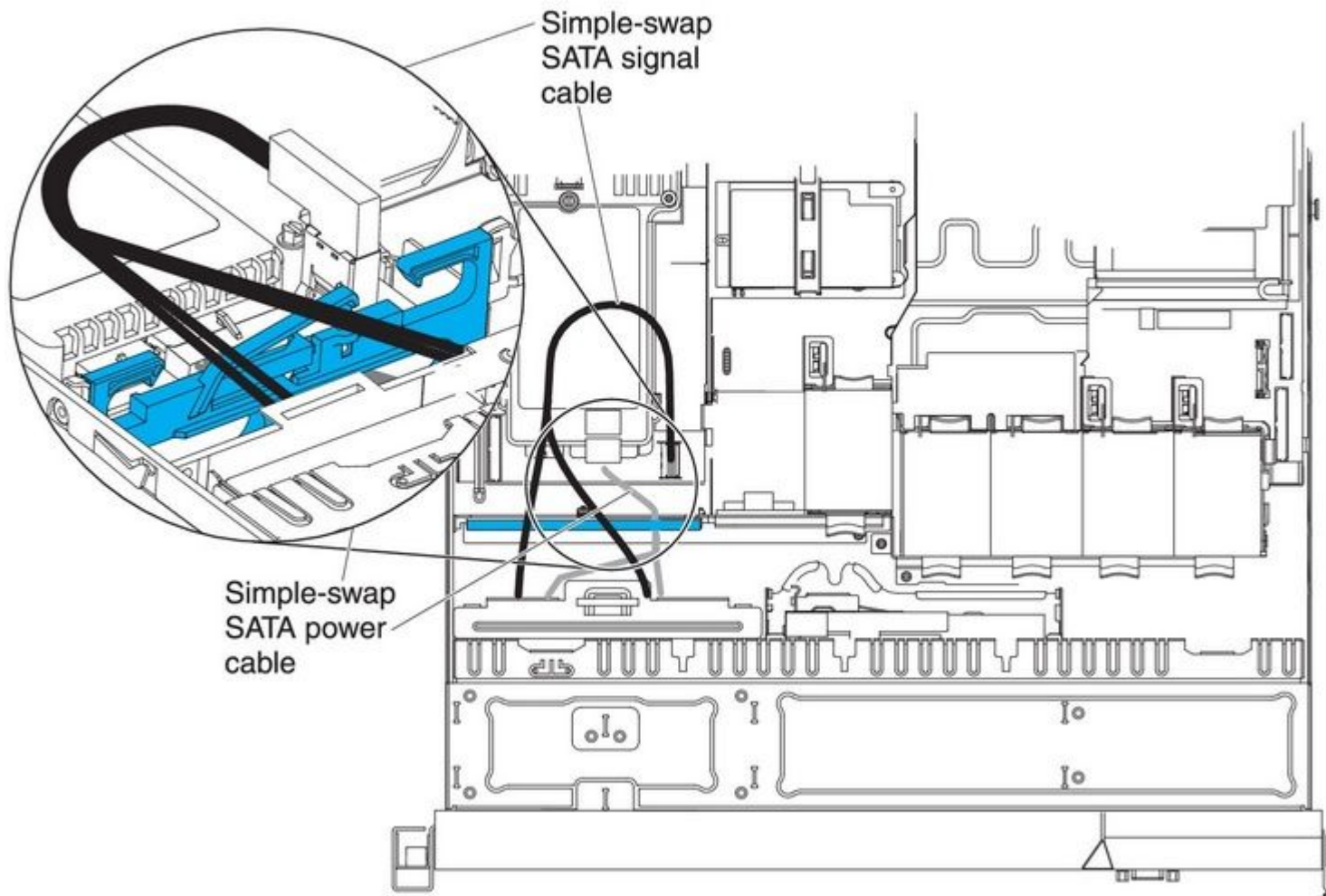


Figure 24. Simple-swap backplate assembly cable connection

The following illustration shows the internal routing for the SATA power cable, the SATA signal cable, and the configuration cable.

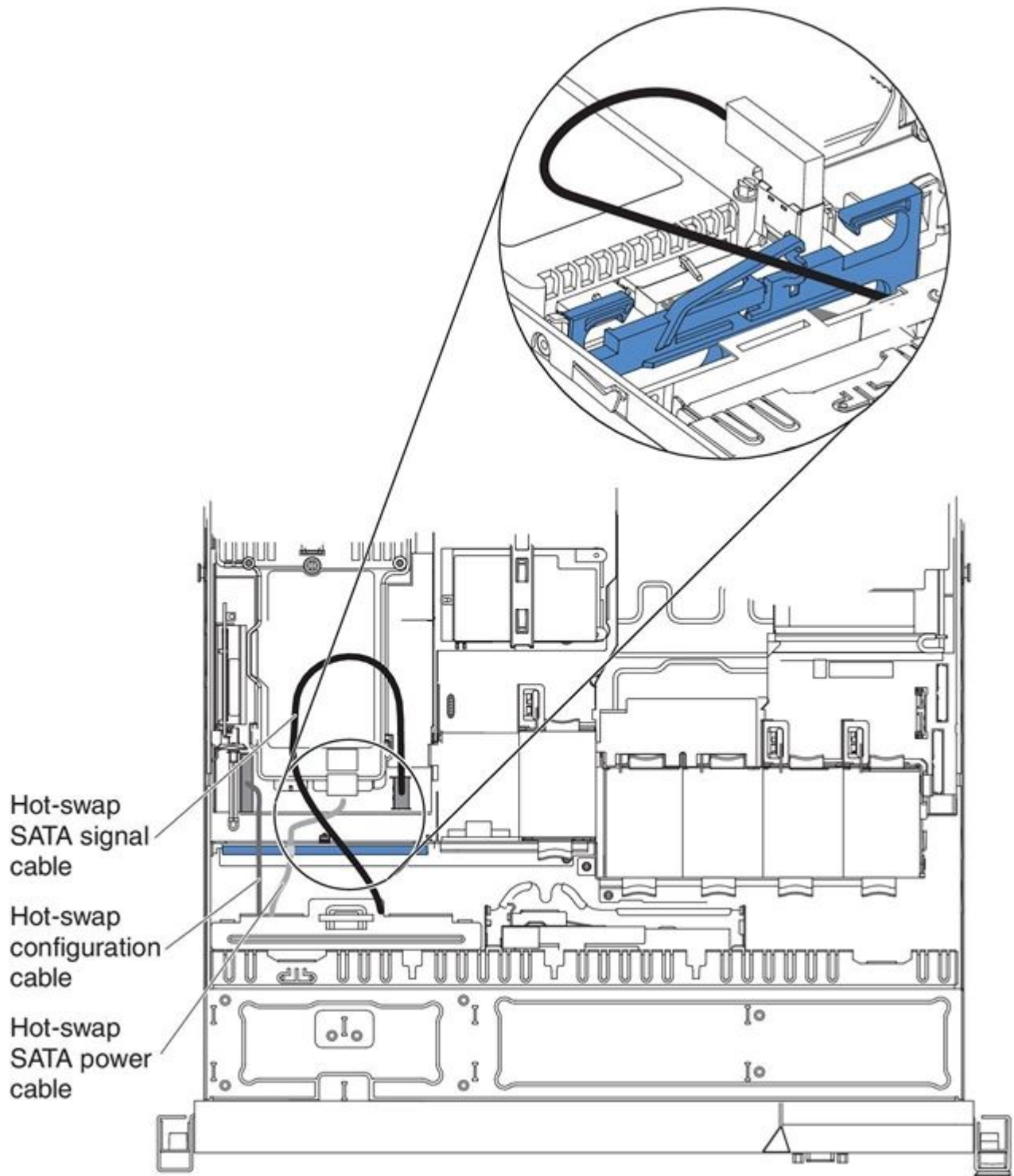


Figure 25. Hot-swap backplane cable connection

Removing the cover

Use this information to remove the cover.

To remove the server cover, complete the following steps:

- Step 1. Read the safety information that begins on “Safety” on page iii and “Installation guidelines” on page 43.
- Step 2. Turn off the server and peripheral devices and disconnect the power cords and all external cables, if necessary.

Note: When you disconnect the power source from the server, you lose the ability to view the LEDs because the LEDs are not lit when the power source is removed. Before you disconnect the power source, make a note of which LEDs are lit, including the LEDs that are lit on the operation information panel, on the light path diagnostics panel, and LEDs inside the server on the system board.

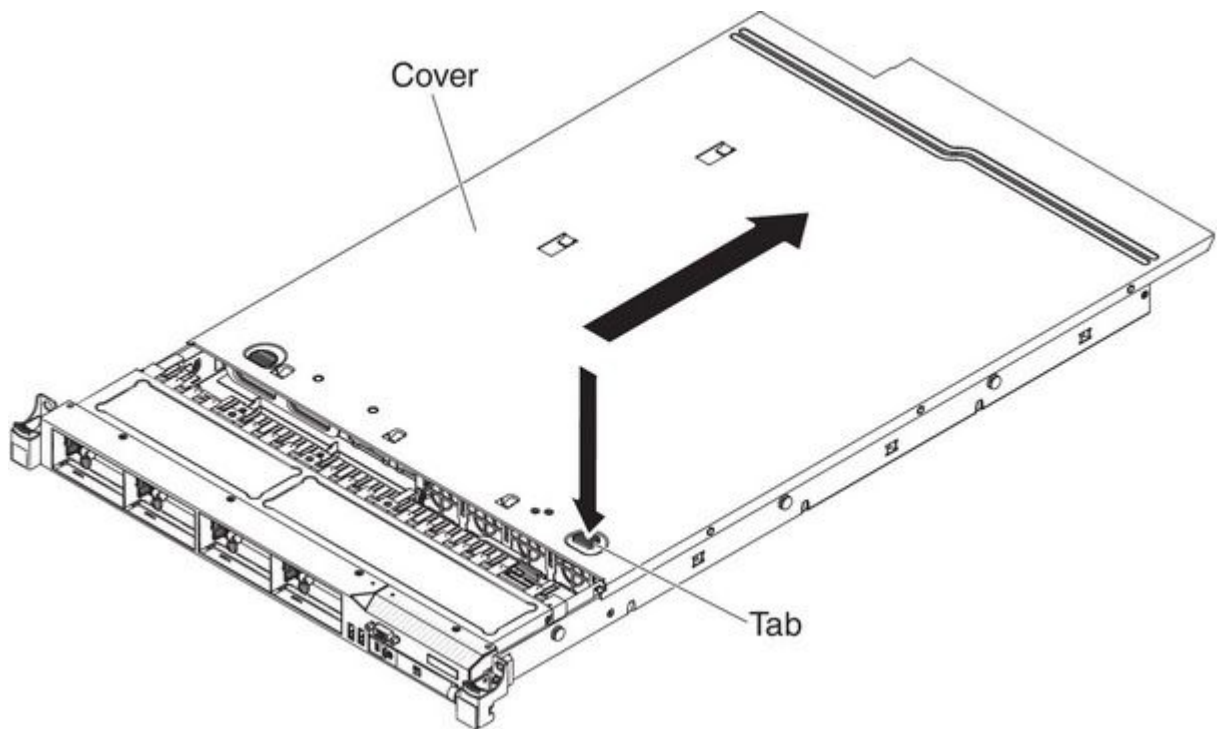


Figure 26. Cover removal

- Step 3. If the server has been installed in a rack, slide the server out from the rack enclosure.
- Step 4. Press down firmly on the blue tab on the top (near the front of the server) of the cover and slide the cover toward the rear of the server until the cover has disengaged from the chassis.
- Step 5. Lift the server cover off the server and set it aside.

Attention: For proper cooling and airflow, replace the server cover before you turn on the server.

Removing the DIMM air baffle

Use this information to remove the DIMM air baffle.

To remove the DIMM air baffle, complete the following steps:

- Step 1. Read the safety information that begins on “Safety” on page iii and “Installation guidelines” on page 43.
- Step 2. Turn off the server and peripheral devices and disconnect all power cords and external cables if necessary.
- Step 3. Grasp the DIMM air baffle and lift the baffle up, making sure that the pin comes out of the pin hole on the system board to the left of DIMM connector 8.

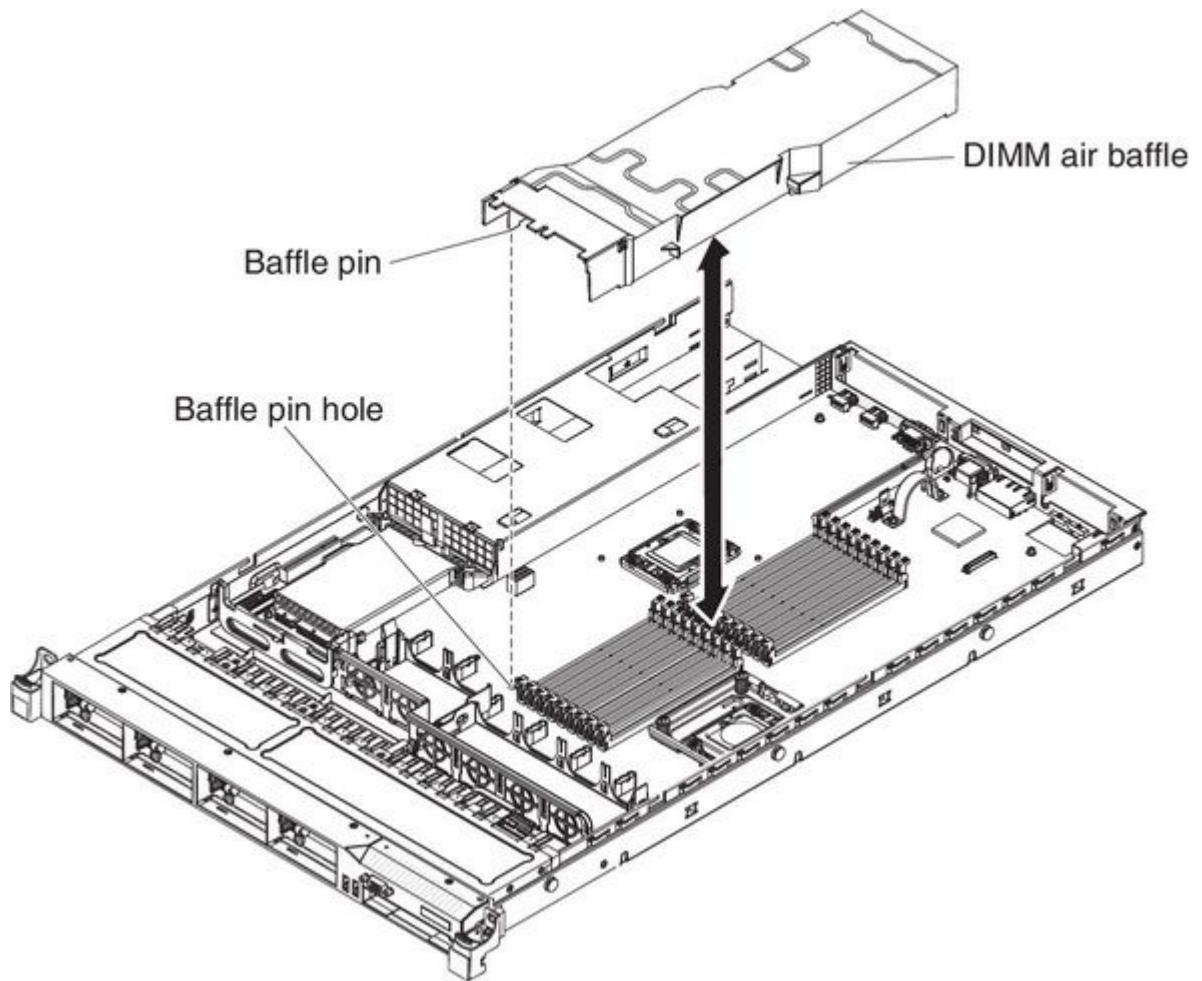


Figure 27. DIMM air baffle removal

- Step 4. Remove it from the server and set it aside.

Attention: For proper cooling and airflow, replace the air baffle before you turn on the server. Operating the server with an air baffle removed might damage server components.

Removing the microprocessor 2 air baffle

Use this information to remove the microprocessor 2 air baffle.

To remove the microprocessor 2 air baffle, complete the following steps:

- Step 1. Read the safety information that begins on “Safety” on page iii and “Installation guidelines” on page 43.
- Step 2. Turn off the server and peripheral devices and disconnect the power cords and all external cables.
- Step 3. Lift the air baffle up, making sure that the tab comes out of the hole on the side of the power-supply cage; then, remove the air baffle from the server and set it aside.

Attention: For proper cooling and airflow, replace the air baffle before you turn on the server. Operating the server with the air baffle removed might damage server components.

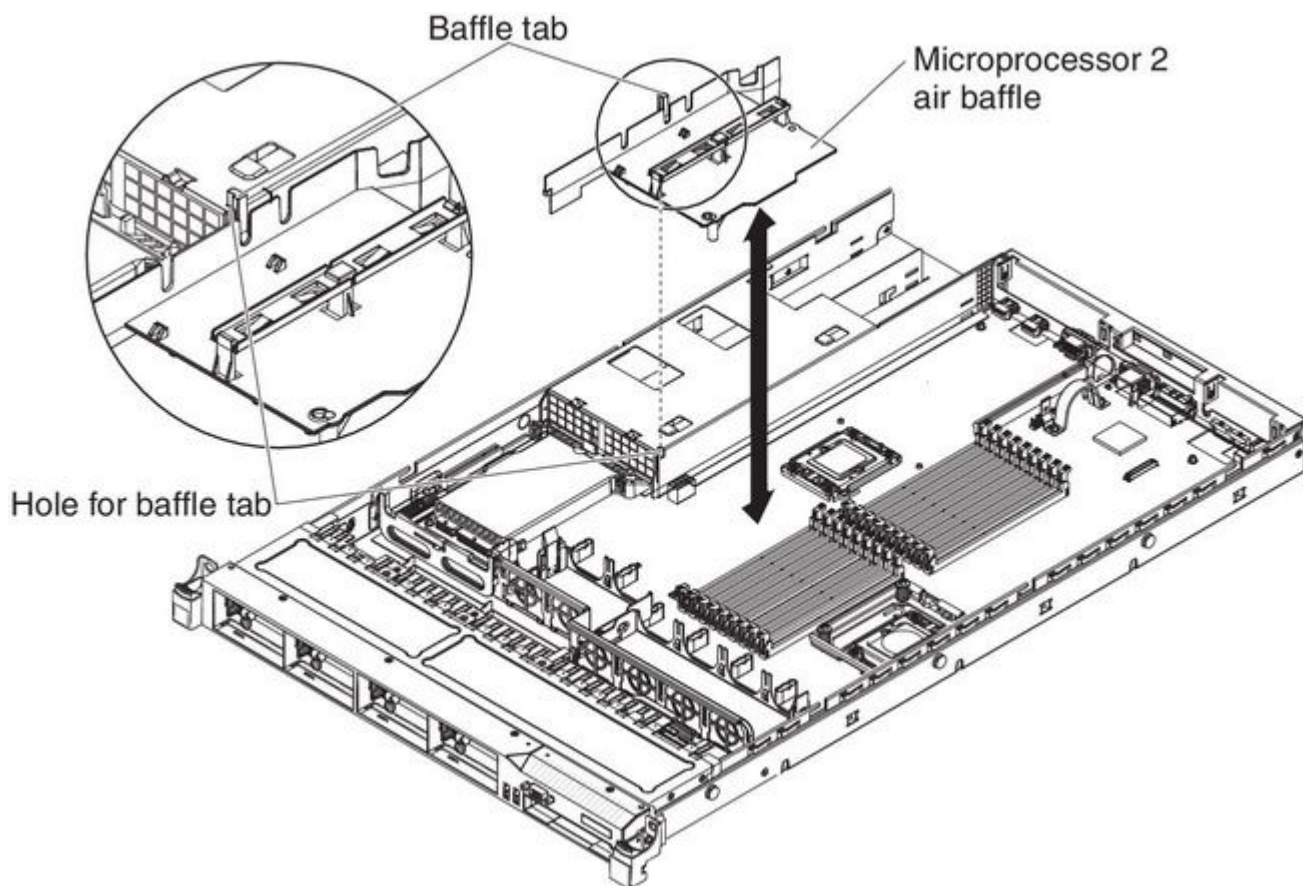


Figure 28. Microprocessor 2 air baffle removal

Installing a memory module

The following notes describe the types of DIMMs that the server supports and other information that you must consider when you install DIMMs.

- When you install or remove DIMMs, the server configuration information changes. When you restart the server, the system displays a message that indicates that the memory configuration has changed.
- The server supports only industry-standard double-data-rate 3 (DDR3), 800, 1066, or 1333 MHz, PC3-10600R-999, registered or unbuffered, synchronous dynamic random-access memory (SDRAM) dual inline memory modules (DIMMs) with error correcting code (ECC). See <http://www.ibm.com/supportportal/> for a list of supported memory modules for the server.
 - The specifications of a DDR3 DIMM are on a label on the DIMM, in the following format.
gggeRxff-PC3-wwwwwm-aa-bb-cc

where:

- *ggg* is the total capacity of the DIMM (for example, 1GB, 2GB, or 4GB)
- *e* is the number of ranks
 - 1 = single-rank
 - 2 = dual-rank
 - 4 = quad-rank
- *ff* is the device organization (bit width)
 - 4 = x4 organization (4 DQ lines per SDRAM)
 - 8 = x8 organization
 - 16 = x16 organization
- *wwwww* is the DIMM bandwidth, in MBps
 - 6400 = 6.40 GBps (PC3-800 SDRAMs, 8-byte primary data bus)
 - 8500 = 8.53 GBps (PC3-1066 SDRAMs, 8-byte primary data bus)
 - 10600 = 10.66 GBps (PC3-1333 SDRAMs, 8-byte primary data bus)
 - 12800 = 12.80 GBps (PC3-1600 SDRAMs, 8-byte primary data bus)
- *m* is the DIMM type
 - E = Unbuffered DIMM (UDIMM) with ECC (x72-bit module data bus)
 - R = Registered DIMM (RDIMM)
 - U = Unbuffered DIMM with no ECC (x64-bit primary data bus)
- *aa* is the CAS latency, in clocks at maximum operating frequency
- *bb* is the JEDEC SPD Revision Encoding and Additions level
- *cc* is the reference design file for the design of the DIMM
- *d* is the revision number of the reference design of the DIMM

Note: To determine the type of a DIMM, see the label on the DIMM. The information on the label is in the format *xxxxx nRxxx PC3-xxxx-xx-xx-xxx*. The numeral in the sixth numerical position indicates whether the DIMM is single-rank ($n=1$), dual-rank ($n=2$), or quad-rank ($n=4$).

- The following rules apply to DDR3 DIMM speed as it relates to the number of DIMMs in a channel:
 - When you install 1 DIMM per channel, the memory runs at 1333 MHz
 - When you install 2 DIMMs per channel, the memory runs at 1066 MHz
 - When you install 3 DIMMs per channel, the memory runs at 800 MHz
 - All channels in a server run at the fastest common frequency
 - Do not install registered and unbuffered DIMMs in the same server
- The maximum memory speed is determined by the combination of the microprocessor, DIMM speed, and the number of DIMMs installed in each channel.
- In two-DIMM-per-channel configuration, a server with an Intel Xeon X5600 series microprocessor automatically operates with a maximum memory speed of up to 1333 MHz when one of the following conditions is met:
 - Two 1.5 V single-rank or dual-rank RDIMMs are installed in the same channel. In the Setup utility, **Memory speed** is set to **Max performance** mode
 - Two 1.35 V single-rank or dual-rank RDIMMs are installed in the same channel. In the Setup utility, **Memory speed** is set to **Max performance** and **LV-DIMM power** is set to **Enhance performance** mode. The 1.35 V RDIMMs will function at 1.5 V

- The server supports a maximum of 18 single-rank or dual-rank RDIMMs. The server supports up to 12 single-rank or dual-rank UDIMMs or quad-rank RDIMMs.
- The server supports three single-rank or dual-rank DIMMs per channel. The server supports a maximum of two quad-rank RDIMMs per channel. The following table shows an example of the maximum amount of memory that you can install using ranked DIMMs:

Table 9. Maximum memory installation using ranked DIMMs

| Number of DIMMs | DIMM type | DIMM size | Total memory |
|-----------------|--------------------|-----------|--------------|
| 12 | Single-rank UDIMMs | 2 GB | 24 GB |
| 12 | Dual-rank UDIMMs | 4 GB | 48 GB |
| 18 | Single-rank RDIMMs | 2 GB | 36 GB |
| 18 | Dual-rank RDIMMs | 2 GB | 36 GB |
| 18 | Dual-rank RDIMMs | 4 GB | 72 GB |
| 18 | Dual-rank RDIMMs | 8 GB | 144 GB |
| 12 | Quad-rank RDIMMs | 16 GB | 192 GB |
| 18 | Dual-rank RDIMMs | 16 GB | 288 GB |

- The RDIMM options that are available for the server are 2 GB, 4 GB, 8 GB, and 16 GB. The server supports a minimum of 2 GB and a maximum of 288 GB of system memory using RDIMMs. **For 32-bit operating systems only:** Some memory is reserved for various system resources and is unavailable to the operating system. The amount of memory that is reserved for system resources depends on the operating system, the configuration of the server, and the configured PCI devices.
- The UDIMM options that are available for the server are 2 GB and 4 GB. The server supports a minimum of 2 GB and a maximum of 48 GB of system memory using UDIMMs.

Note: The amount of usable memory is reduced depending on the system configuration. A certain amount of memory must be reserved for system resources. To view the total amount of installed memory and the amount of configured memory, run the Setup utility. For additional information, see Chapter 3 “Configuring the server ” on page 117.

- A minimum of one DIMM must be installed for each microprocessor. For example, you must install a minimum of two DIMMs if the server has two microprocessors installed. However, to improve system performance, install a minimum of three DIMMs for each microprocessor.
- DIMMs in the same channel must be the same type (RDIMM or UDIMM) to ensure that the server will operate correctly.
- When you install one quad-rank RDIMM in a channel, install it in the DIMM connector furthest away from the microprocessor.
- Do not install one quad-rank RDIMM in one channel and three RDIMMs in another channel.

The following illustration shows the location of the DIMM connectors on the system board.

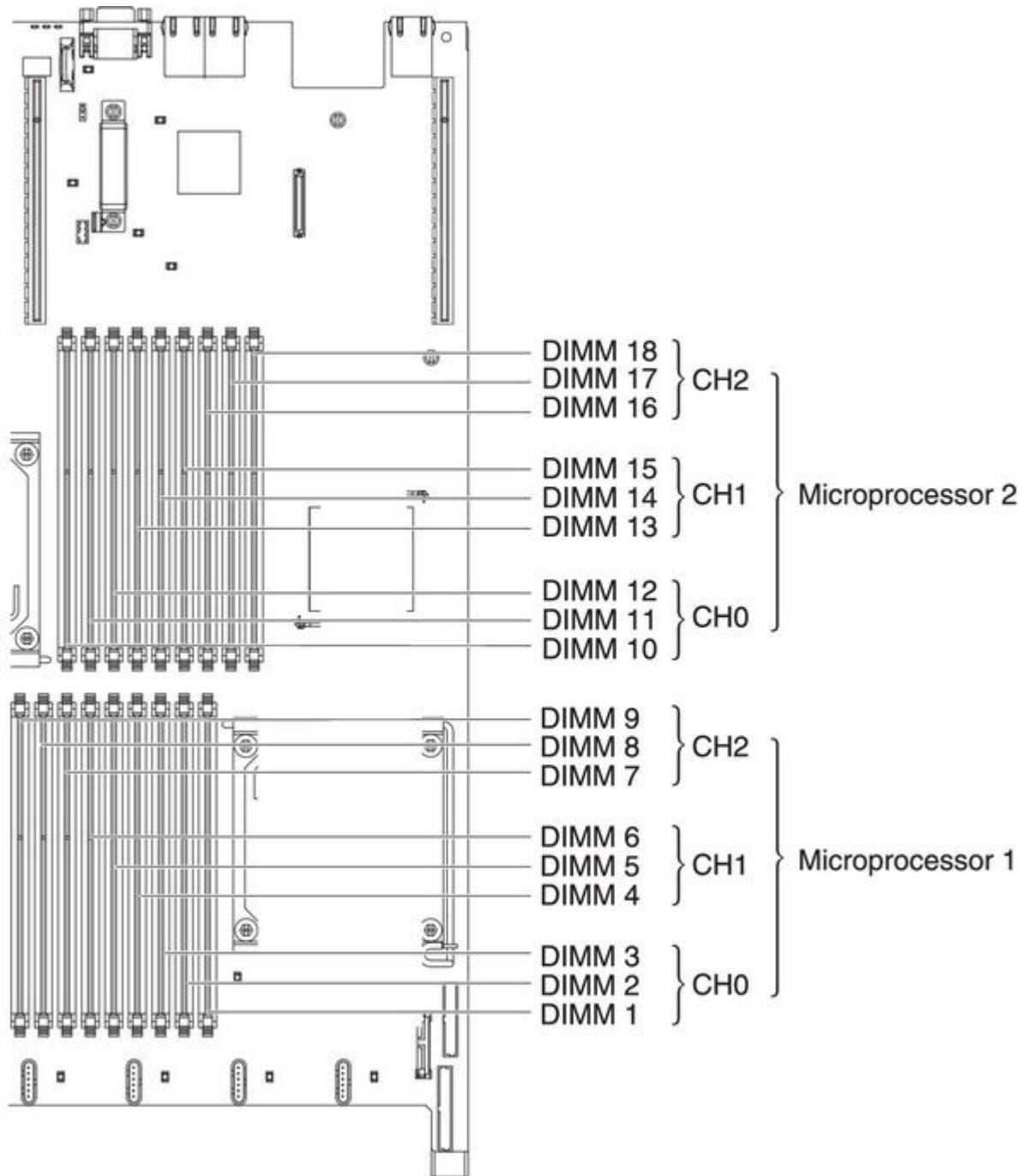


Figure 29. DIMM connectors location

DIMM installation sequence

Depending on the server model, the server may come with a minimum of one 2 GB or 4 GB DIMM installed in slot 3.

When you install additional DIMMs, install them in the order shown in the following table to optimize system performance. In non-mirroring mode, all three channels on the memory interface for each microprocessor can be populated in any order and have no matching requirements.

Table 10. Non-mirroring (normal) mode DIMM installation sequence

| Installed microprocessor | DIMM connector population sequence |
|--------------------------|------------------------------------|
| Microprocessor socket 1 | 3, 6, 9, 2, 5, 8, 1, 4, 7 |
| Microprocessor socket 2 | 12, 15, 18, 11, 14, 17, 10, 13, 16 |

Memory mirroring

Memory-mirroring mode replicates and stores data on two pairs of DIMMs within two channels simultaneously. If a failure occurs, the memory controller switches from the primary pair of memory DIMMs to the backup pair of DIMMs.

To enable memory mirroring through the Setup utility, select **System Settings → Memory**. For more information, see “Using the Setup utility” on page 118. When you use the memory mirroring feature, consider the following information:

- When you use memory mirroring, you must install a pair of DIMMs at a time. One DIMM must be in channel 0, and the mirroring DIMM must be in the same slot in channel 1. The two DIMMs in each pair must be identical in size, type, and rank (single or dual), and organization, but not in speed. The channels run at the speed of the slowest DIMM in any of the channels.
- Channel 2, DIMM connectors 7, 8, 9, 16, 17, and 18 are not used in memory-mirroring mode.
- The maximum available memory is reduced to half of the installed memory when memory mirroring is enabled. For example, if you install 64 GB of memory using RDIMMs, only 32 GB of addressable memory is available when you use memory mirroring.

The following diagram shows the memory channel interface layout with the DIMM installation sequence for mirroring mode. The numbers within the boxes indicate the DIMM population sequence in pairs within the channels, and the numbers next to the boxes indicate the DIMM connectors within the channels. For example, the following illustration shows the first pair of DIMMs (indicated by ones (1) inside the boxes) should be installed in DIMM connector 1 on channel 0 and DIMM connector 2 on channel 1. DIMM connectors 3, 6, 9, 12, 15, and 18 on channel 2 are not used in memory-mirroring mode.

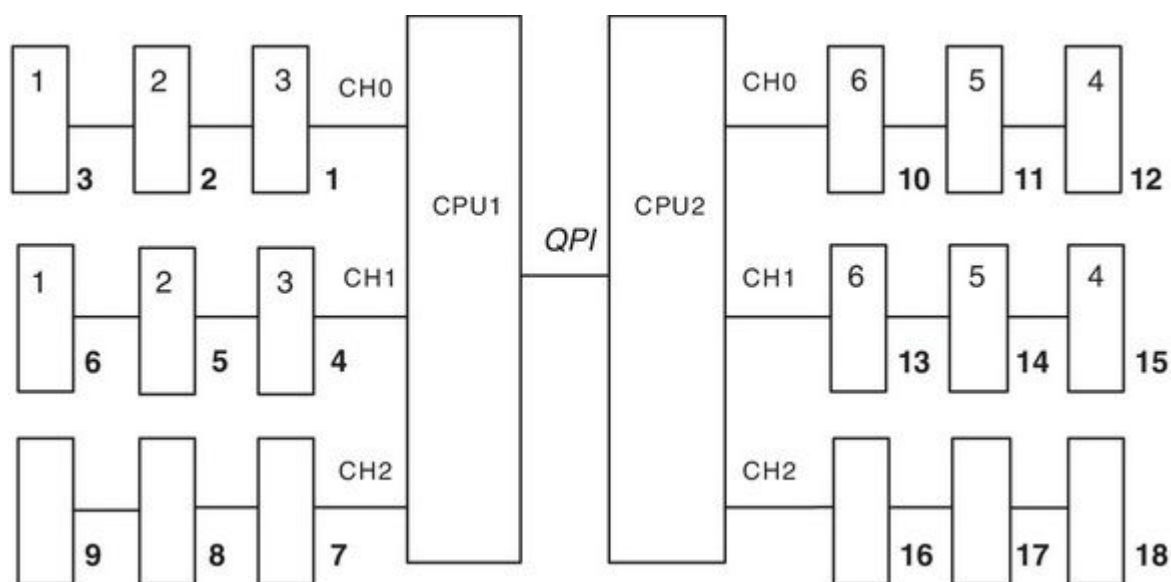


Figure 30. Memory channel interface layout

The following table lists the DIMM connectors on each memory channel.

Table 11. Connectors on each memory channel

| Memory channel | DIMM connector |
|----------------|---------------------|
| Channel 0 | 1, 2, 3, 10, 11, 12 |
| Channel 1 | 4, 5, 6, 13, 14, 15 |
| Channel 2 | 7, 8, 9, 16, 17, 18 |

The following illustration shows the memory connector layout that is associated with each microprocessor. For example, DIMM connectors 10, 11, 12, 13, 14, 15, 16, 17, and 18 (DIMM connectors are shown underneath the boxes) are associated with microprocessor 2 (CPU2) and DIMM connectors 1, 2, 3, 4, 5, 6, 7, 8, and 9 are associated with microprocessor 1 (CPU1). The numbers within the boxes indicate the installation sequence of the DIMM pairs. For example, the first DIMM pair (indicated within the boxes by ones (1)) should be installed in DIMM connectors 1 and 2, which is associated with microprocessor 1 (CPU1).

Note: You can install DIMMs for microprocessor 2 as soon as you install microprocessor 2; you do not have to wait until all of the DIMM slots for microprocessor 1 are filled.

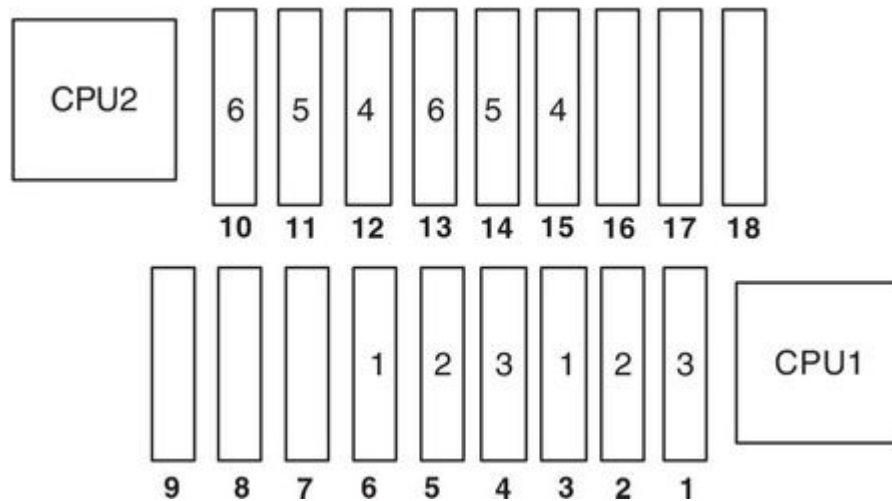


Figure 31. Memory connectors associated with each microprocessor for memory mirroring

The following table shows the installation sequence for installing DIMMs in memory-mirroring mode:

Table 12. Memory mirroring mode DIMM population sequence

| Number of DIMMs | Number of installed microprocessor | DIMM connector |
|--|------------------------------------|----------------|
| First pair of DIMMs | 1 | 3, 6 |
| Second pair of DIMMs | 1 | 2, 5 |
| Third pair of DIMMs | 1 | 1, 4 |
| Fourth pair of DIMMs | 2 | 12, 15 |
| Fifth pair of DIMMs | 2 | 11, 14 |
| Sixth pair of DIMMs | 2 | 10, 13 |
| DIMM connectors 7, 8, 9, 16, 17, and 18 are not used in memory-mirroring mode. | | |

Online-spare memory

The memory online-spare feature disables the failed memory from the system configuration and activates an online-spare DIMM to replace the failed active DIMM.

You can enable either online-spare memory or memory mirroring in the Setup utility (see “Using the Setup utility” on page 118). When you use the memory online-spare feature, consider the following information:

- The memory online-spare feature is supported on server models with an Intel Xeon™ 5600 series microprocessor.
- When you enable the memory online-spare feature, you must install three DIMMs per microprocessor at a time. The first DIMM must be in channel 0, the second DIMM in channel 1, and the third DIMM in channel 2. The DIMMs must be identical in size, type, rank, and organization, but not in speed. The channels run at the speed of the slowest DIMM in any of the channels.
- The maximum available memory is reduced to 2/3 of the installed memory when memory online-spare mode is enabled. For example, if you install 72 GB of memory using RDIMMs, only 48 GB of addressable memory is available when you use memory online-spare.

The following table shows the installation sequence for installing DIMMs for each microprocessor in memory online-spare mode:

Table 13. Memory online-spare mode DIMM population sequence

| Installed Microprocessor | DIMM connector |
|--------------------------|------------------------------------|
| Microprocessor 1 | 3, 6, 9 |
| | 3, 6, 9, 2, 5, 8 |
| | 3, 6, 9, 2, 5, 8, 1, 4, 7 |
| Microprocessor 2 | 12, 15, 18, |
| | 12, 15, 18, 11, 14, 17, |
| | 12, 15, 18, 11, 14, 17, 10, 13, 16 |

Installing a DIMM

Use this information to install a DIMM.

To install a DIMM, complete the following steps:

- Step 1. Read the safety information that begins on “Safety” on page iii and “Installation guidelines” on page 43.
- Step 2. Turn off the server and peripheral devices and disconnect the power cords and all external cables, if necessary.
- Step 3. Remove the cover (see “Removing the cover” on page 51).
- Step 4. Open the retaining clip on each end of the DIMM connector.

Attention: To avoid breaking the retaining clips or damaging the DIMM connectors, open and close the clips gently.

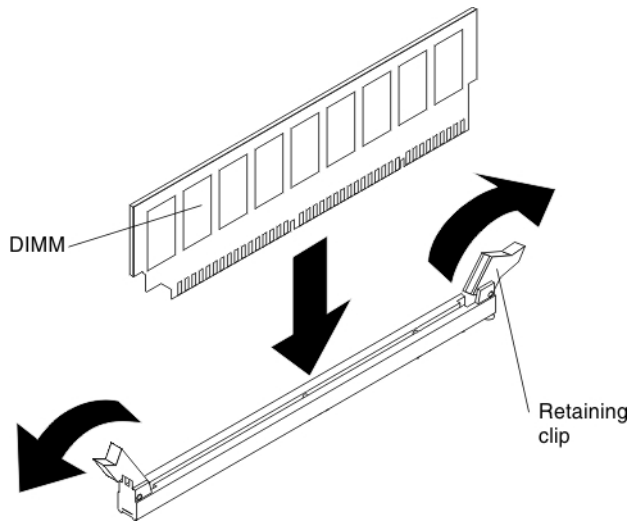


Figure 32. DIMM installation

- Step 5. Touch the static-protective package that contains the DIMM to any unpainted metal surface on the outside of the server. Then, remove the DIMM from the package.
- Step 6. Turn the DIMM so that the DIMM keys align correctly with the connector.
- Step 7. Insert the DIMM into the connector by aligning the edges of the DIMM with the slots at the ends of the DIMM connector (see “System-board optional device connectors” on page 42 for the locations of the DIMM connectors).
- Step 8. Firmly press the DIMM straight down into the connector by applying pressure on both ends of the DIMM simultaneously. The retaining clips snap into the locked position when the DIMM is firmly seated in the connector.

Note: If there is a gap between the DIMM and the retaining clips, the DIMM has not been correctly inserted; open the retaining clips, remove the DIMM, and then reinsert it.

If you have other devices to install or remove, do so now. Otherwise, go to “Completing the installation” on page 112.

Installing drives

The following notes describe the type of drives that the server supports and other information that you must consider when you install a drive.

- Make sure that the devices that you are installing are supported. For a list of supported optional devices for the server, see <http://www.ibm.com/systems/info/x86servers/serverproven/compat/us/>.
- Locate the documentation that comes with the drive and follow those instructions in addition to the instructions in this chapter.
- Make sure that you have all the cables and other equipment that are specified in the documentation that comes with the drive.
- Select the bay in which you want to install the drive.
- The server supports one optional ultra-slim SATA optical drive.
- Check the instructions that come with the drive to determine whether you have to set any switches or jumpers on the drive. If you are installing a SAS or SATA hard disk drive, be sure to set the SAS or SATA ID for that device.

- The hot-swap server models support up to eight 2.5-inch hot-swap SAS or hot-swap SATA hard disk drives. The simple-swap server models support up to four 2.5-inch simple-swap SATA hard disk drives.
- The electromagnetic interference (EMI) integrity and cooling of the server are protected by having all bays and PCI and PCI Express slots covered or occupied. When you install a drive, PCI, or PCI Express adapter, save the EMC shield and filler panel from the bay or PCI adapter or PCI Express adapter slot cover in the event that you later remove the device.

Installing a hot-swap hard disk drive

Use this information to install a hot-swap hard disk drive.

To install a 2.5-inch hot-swap SAS or SATA hard disk drive, complete the following steps.

Note: If you have only one hard disk drive, you must install it in the upper-left bay.

- Step 1. Read the safety information that begins on “Safety” on page iii and “Installation guidelines” on page 43.
- Step 2. Remove the filler panel from the empty drive bay.
- Step 3. Touch the static-protective package that contains the drive to any unpainted metal surface on the server; then, remove the drive from the package and place it on a static-protective surface.
- Step 4. Install the hard disk drive in the drive bay:
 - a. Make sure that the tray handle is in the open (unlocked) position.
 - b. Align the drive assembly with the guide rails in the bay.

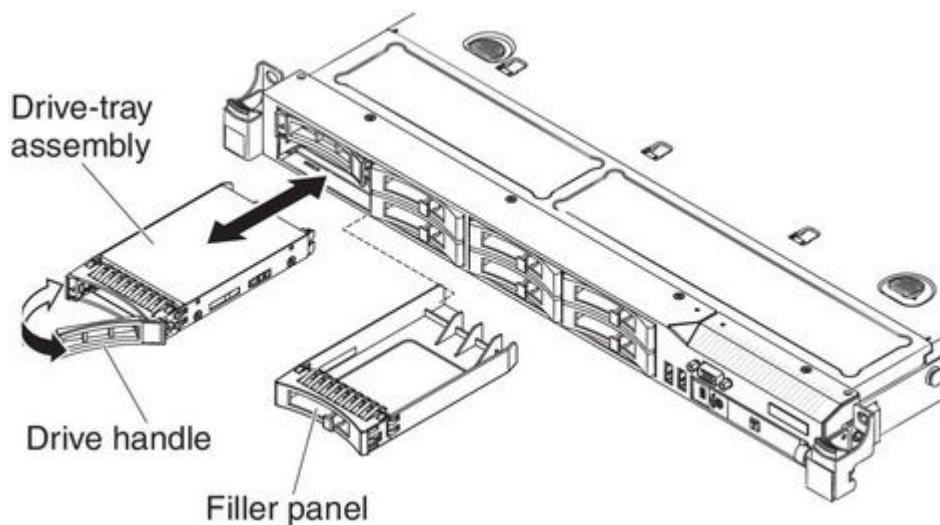


Figure 33. Hot-swap hard disk drive installation

- c. Gently push the drive assembly into the bay until the drive stops.
- d. Rotate the tray handle to the closed (locked) position.
- e. Check the hard disk drive status LED to verify that the hard disk drive is operating correctly. If the amber hard disk drive status LED for a drive is lit continuously, that drive is faulty and must be replaced. If the green hard disk drive activity LED is flashing, the drive is being accessed.

Note: If the server is configured for RAID operation using a ServeRAID adapter, you might have to reconfigure your disk arrays after you install hard disk drives. See the ServeRAID

adapter documentation for additional information about RAID operation and complete instructions for using the ServeRAID adapter.

Step 5. If you are installing additional hot-swap hard disk drives, do so now.

If you have other devices to install or remove, do so now. Otherwise, go to “Completing the installation” on page 112.

IDs for hot-swap hard disk drives

The hot-swap-drive ID that is assigned to each drive is printed on the front of the server.

The following illustration shows the location of the IDs of the hard disk drives. The ID numbers and the drive bay numbers are the same.

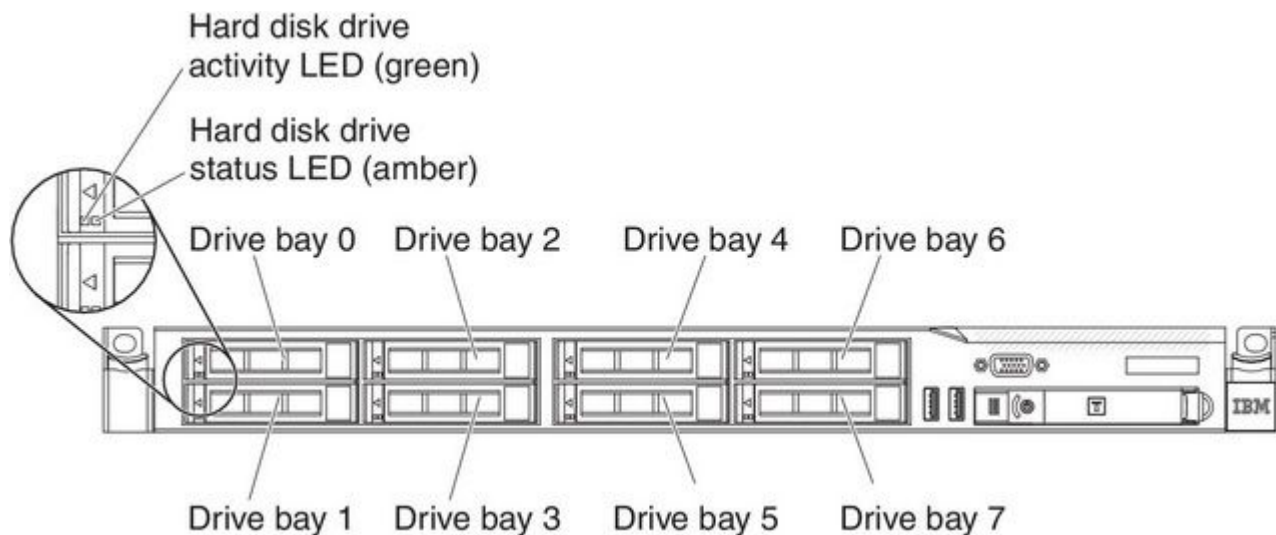


Figure 34. Hot-swap hard disk drive IDs

Installing a simple-swap hard disk drive

Use this information to install a simple-swap hard disk drive.

Some server models support 2.5-inch simple-swap SATA hard disk drives that are accessible from the front of the server. You must turn off the server before installing simple-swap drives in the server. Before you install a simple-swap SATA hard disk drive, read the following information.

- Make sure that the devices that you are installing are supported. For a list of supported optional devices for the server, see <http://www.ibm.com/systems/info/x86servers/serverproven/compat/us/>.
- Locate the documentation that comes with the hard disk drive and follow those instructions in addition to the instructions in this chapter.
- Make sure that you have all the cables and other equipment that are specified in the documentation that comes with the drive.
- Select the bay in which you want to install the drive.
- Check the instructions that come with the drive to determine whether you have to set any switches or jumpers on the drive. If you are installing a SATA device, be sure to set the SATA ID for that device.
- You can install up to four 2.5-inch simple-swap SATA hard disk drives in the server. Do not install hot-swap drives into a simple-swap server model, it is not supported.

- The sequence for installing the hard disk drives is to install the drives starting from bay 0, 1, 2, and 3.
- Simple-swap models of the server do not support the Hypervisor USB flash device and the installation of the SAS/SATA riser card is not supported.
- The simple-swap server models are available only in non-RAID configurations.
- The electromagnetic interference (EMI) integrity and cooling of the server are protected by having all bays and PCI and PCI Express slots covered or occupied. When you install a drive, PCI, or PCI Express adapter, save the EMC shield and filler panel from the bay or PCI or PCI Express adapter slot cover in the event that you later remove the device.

To install a 2.5-inch simple-swap SATA hard disk drive, complete the following steps:

- Step 1. Read the safety information that begins on “Safety” on page iii and “Installation guidelines” on page 43.
- Step 2. Turn off the server and peripheral devices and disconnect the power cords and all external cables.
- Step 3. Remove the filler panel from the empty drive bay.
- Step 4. Touch the static-protective package that contains the drive to any unpainted metal surface on the server; then, remove the drive from the package and place it on a static-protective surface.
- Step 5. Install the hard disk drive in the drive bay:
 - a. Grasp the black drive handle and slide the blue release latch to the right and align the drive assembly with the guide rails in the bay.

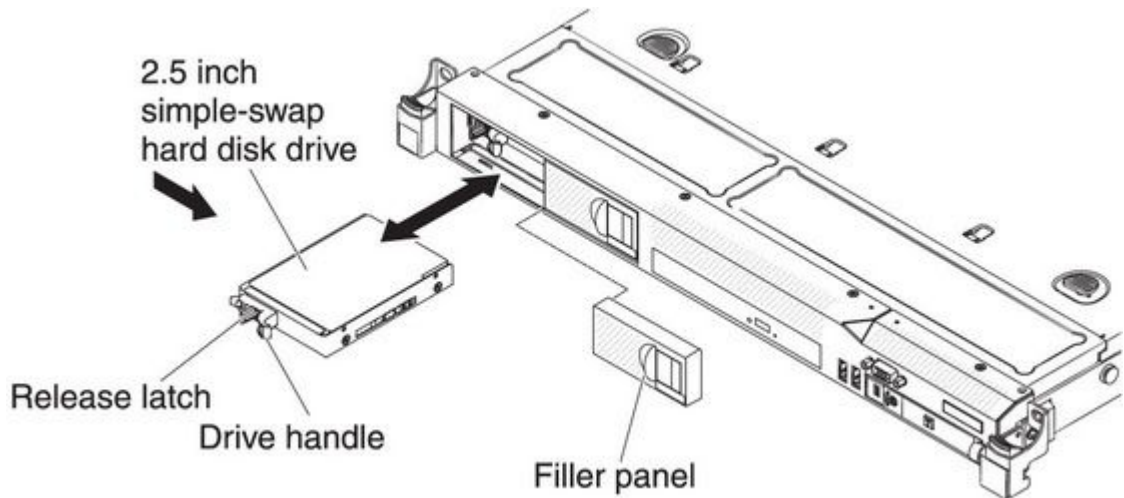


Figure 35. Simple-swap hard disk drive installation

- b. Gently push the drive assembly into the bay until the drive stops.
- Step 6. Reinstall the drive bay filler panel that you remove earlier.
- Step 7. If you are installing additional simple-swap hard disk drives, do so now.
- Step 8. Turn on the peripheral devices and the server.

If you have other devices to install or remove, do so now. Otherwise, go to “Completing the installation” on page 112.

IDs for simple-swap hard disk drives

The simple-swap-drive ID that is assigned to each drive is printed on the front of the server.

The following illustration shows the location of the IDs of the hard disk drives. The ID numbers and the drive bay numbers are the same.

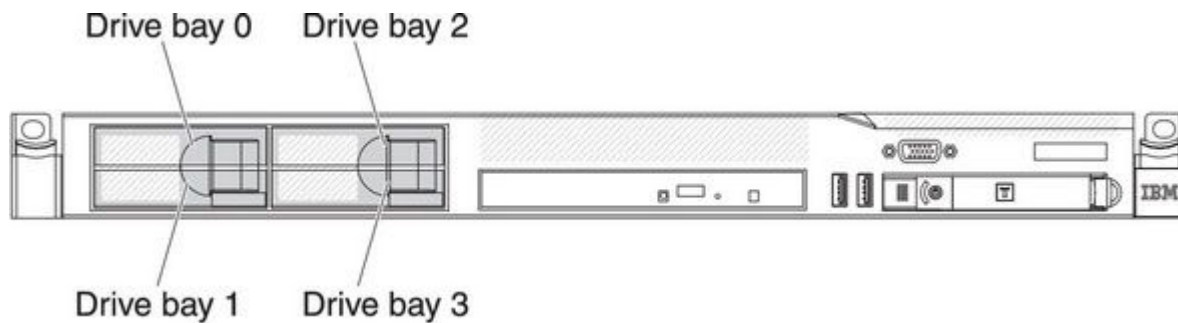


Figure 36. Simple-swap hard disk drive IDs

Installing an optional DVD drive

Use this information to install an optional DVD drive.

Note: If your server does not come with a DVD drive bay, you can purchase and install the optical drive cage and bezel option. The option includes the components that allow you to install an optional DVD drive in your server (see “Installing the DVD enablement kit” on page 99).

To install an optional DVD drive, complete the following steps:

- Step 1. Read the safety information that begins on “Safety” on page iii and “Installation guidelines” on page 43.
- Step 2. Turn off the server and peripheral devices and disconnect the power cords and all external cables.
- Step 3. Remove the cover (see “Removing the cover” on page 51).
- Step 4. Remove the optical drive filler panel if it is installed. Locate the blue release tab on the rear of the optical drive filler panel; then, while you press the tab, push the optical drive filler panel out of the drive bay. Save the optical drive filler panel for future use.

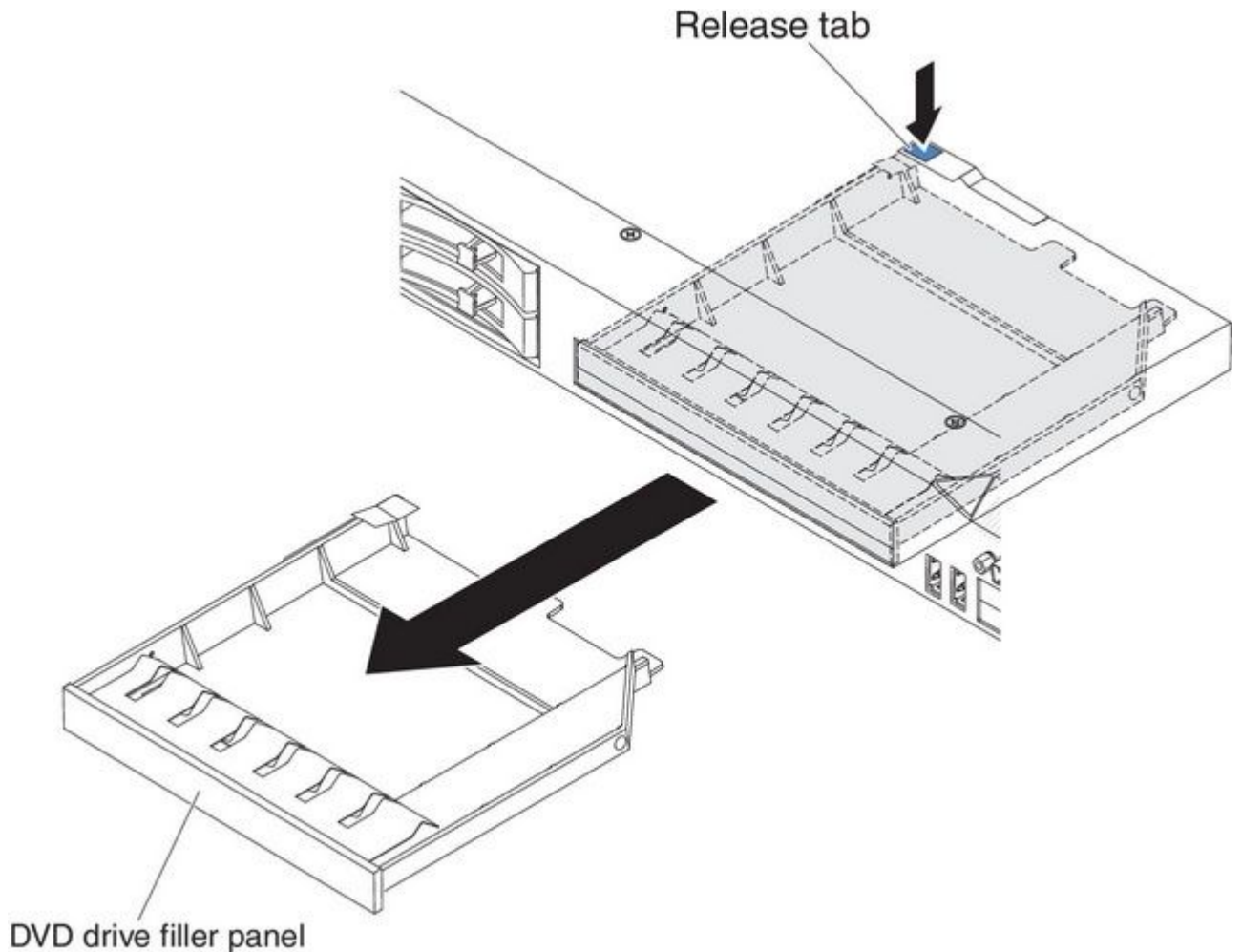


Figure 37. DVD drive filler panel removal

Step 5. Remove the retention clip from the side of the optical drive filler panel.

Note: If you are installing a drive that contains a laser, observe the following safety precaution.

Statement 3



CAUTION:

When laser products (such as CD-ROMs, DVD drives, fiber optic devices, or transmitters) are installed, note the following:

- Do not remove the covers. Removing the covers of the laser product could result in exposure to hazardous laser radiation. There are no serviceable parts inside the device.
- Use of controls or adjustments or performance of procedures other than those specified herein might result in hazardous radiation exposure.



Some laser products contain an embedded Class 3A or Class 3B laser diode. Note the following.

Laser radiation when open. Do not stare into the beam, do not view directly with optical instruments, and avoid direct exposure to the beam.



Class 1 Laser Product
Laser Klasse 1
Laser Class 1
Luokan 1 Laserlaite
Appareil À Laser de Classe 1

- Step 6. Touch the static-protective package that contains the new optical drive to any unpainted metal surface on the server; then, remove the optical drive from the package and place it on a static-protective surface.
- Step 7. Follow the instructions that come with the DVD drive to set any jumpers or switches.
- Step 8. Attach the drive retention clip that you removed from the optical drive filler panel to the side of the DVD drive.

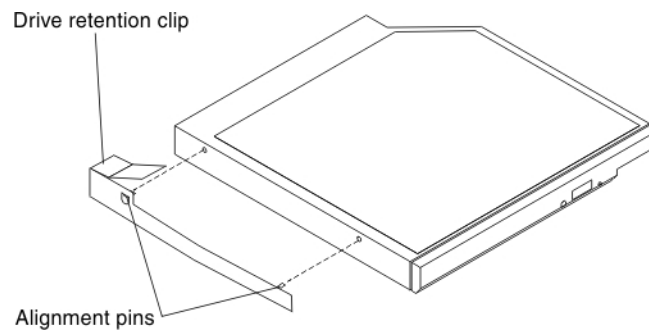


Figure 38. DVD drive retention clip installation

- Step 9. Align the drive in the drive bay and slide the drive into the optical drive bay until the drive clicks into place.

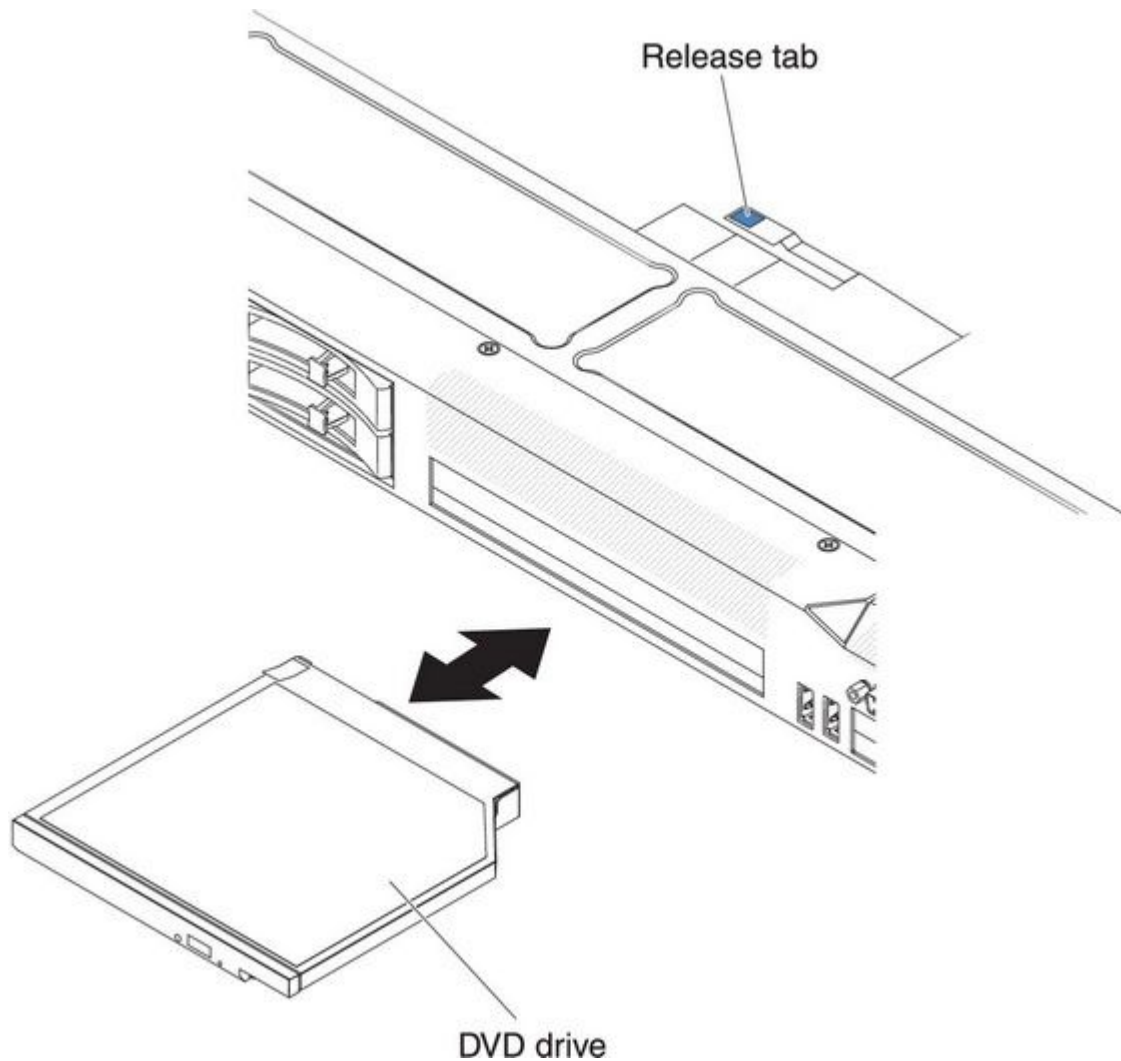


Figure 39. DVD drive installation

If you have other devices to install or remove, do so now. Otherwise, go to “Completing the installation” on page 112.

Replacing a PCI riser-card assembly

Use this information to replace a PCI riser-card assembly.

Note: A PCI riser-card assembly must be installed in slot 2 even if you do not install an adapter.

To replace a PCI riser-card assembly, complete the following steps:

- Step 1. Read the safety information that begins on “Safety” on page iii and “Installation guidelines” on page 43.
- Step 2. Turn off the server and peripheral devices and disconnect the power cords and all external cables.
- Step 3. Remove the cover (see “Removing the cover” on page 51).

- Step 4. If an adapter is installed in the riser-card assembly, disconnect any cables that are connected to the adapter.
- Step 5. Grasp the rear of the riser-card assembly from the rear and lift it out of the PCI riser-card slot on the system board.

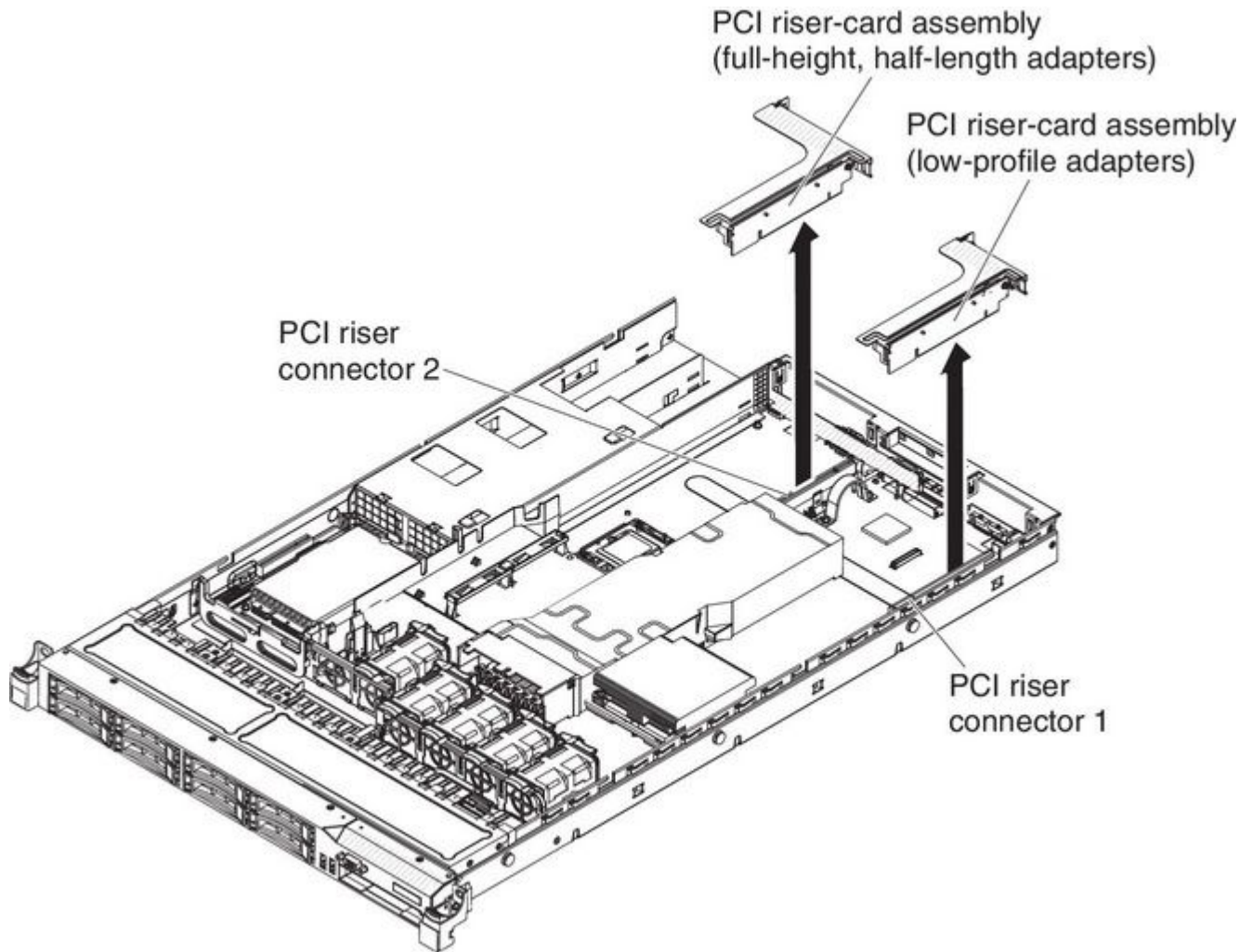


Figure 40. PCI riser-card assembly removal

- Step 6. Remove the adapter, if one is present, from the riser-card assembly.
- Step 7. Set the adapter and riser-card assembly aside.
- Step 8. Install the adapter in the new PCI riser-card assembly (see “Installing an adapter” on page 70).
- Step 9. Set any jumpers or switches on the adapter as directed by the adapter manufacturer.
- Step 10. If you are installing the PCI riser-card assembly on PCI slot connector 1 on the system board, remove the PCI filler panel from the rear of the server.
- Step 11. Align the PCI riser-card assembly with the PCI slot connector on the system board; then, press down firmly until the riser-card assembly is seated correctly in the connector on the system board.

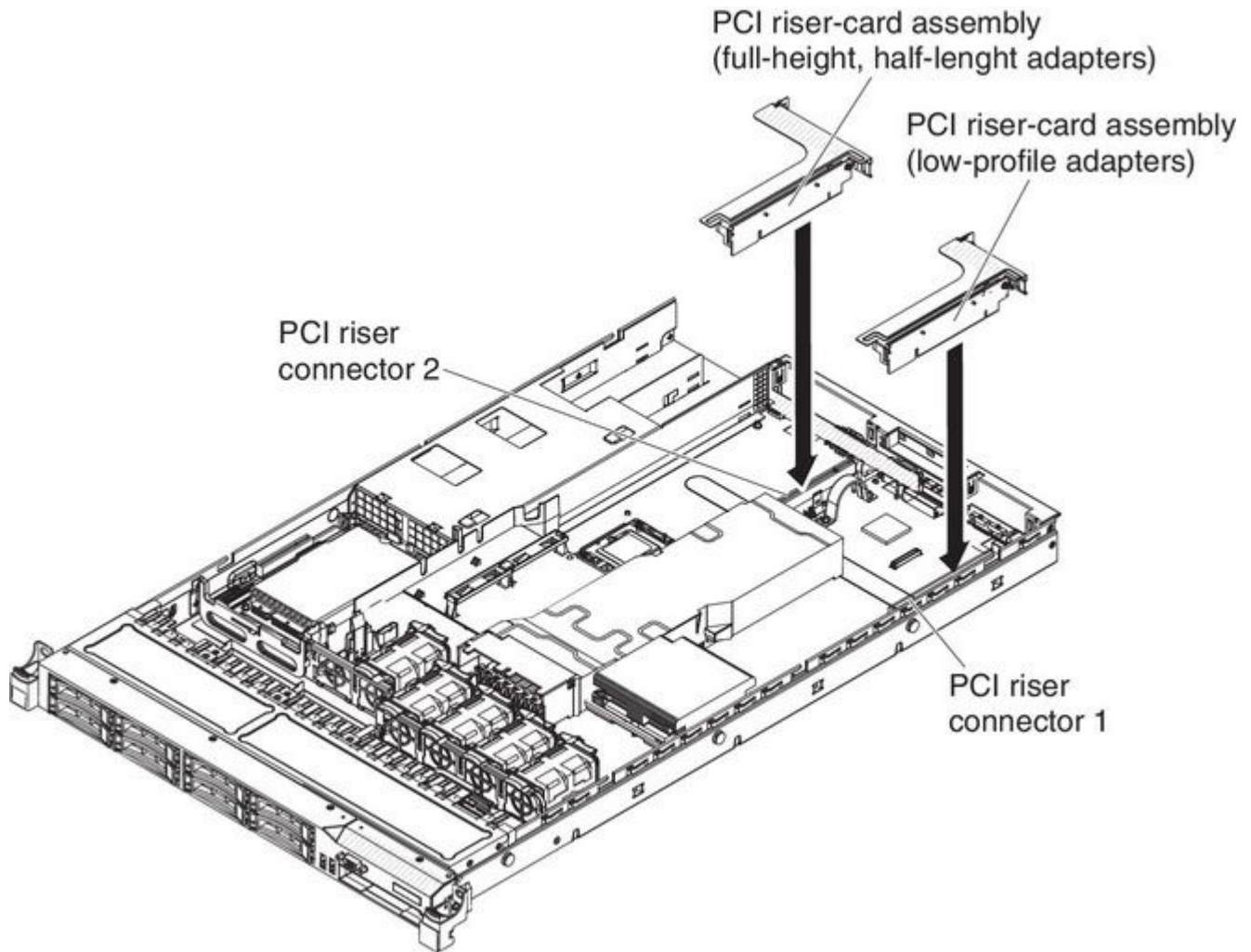


Figure 41. PCI riser-card assembly installation

Installing an adapter

Use this information to install an adapter.

The following notes describe the types of adapters that the server supports and other information that you must consider when you install an adapter:

- To confirm that the server supports the adapter that you are installing, see <http://www.ibm.com/systems/info/x86servers/serverproven/compat/us/>.
- Locate the documentation that comes with the adapter and follow those instructions in addition to the instructions in this section.
- The server provides one SAS/SATA RAID riser-card slot on the system board. See “System-board optional device connectors” on page 42 for the location of the SAS/SATA RAID riser-card slot. The ServeRAID-BR10i v2, ServeRAID-M1015, ServeRAID-M5014, or ServeRAID-M5015 adapter comes installed on some models of the server. You can replace the IBM ServeRAID SAS/SATA adapter with an optional IBM ServeRAID SAS/SATA adapter in the slot. For configuration information, see the ServeRAID documentation at <http://www.ibm.com/supportportal/>.

Important: To ensure that any of your ServeRAID 10i, 10is, or 10M adapters function properly on UEFI-based servers, make sure that the adapter firmware level is updated to at least 11.x.x-XXX , and the supporting drivers.

Attention: Some cluster solutions require specific code levels or coordinated code updates. If the device is part of a cluster solution, verify that the latest level of code is supported for the cluster solution before you update the code.

- Do not set the maximum digital video adapter resolution above 1600 x 1200 at 75 Hz for an LCD monitor. This is the highest resolution that is supported for any add-on video adapter that you install in the server.
- Any high-definition video-out connector or stereo connector on any add-on video adapter is not supported
- The server does not support full-length adapters.
- When you install any PCI adapter, the power cords must be disconnected from the power source before you remove the PCI Express riser-card assembly and the PCI-X riser-card assembly. Otherwise, the active power management event signal will be disabled by the system-board logic, and the Wake on LAN feature might not work. However, after the server is powered-on locally, the active power manager active power management event signal will be enabled by the system-board logic.
- If you switch the PCI adapter from slot 1 riser assembly to slot 2, you will need to remove the screw from the standard bracket and then replace the standard bracket with the low-profile bracket.
- The server provides two PCI riser-card slots on the system board. A PCI riser assembly with a bracket is installed in slot 2. The following information describes the PCI riser-card slots and the type of adapters that the riser cards support:
 - Standard models of the server come with two PCI Express riser-card assemblies installed. If you want to replace them with PCI-X riser-card assemblies, you must order the PCI-X riser-card assembly option, which includes the bracket.
 - A PCI Express riser-card assembly has a black connector and supports PCI Express adapters, and a PCI-X riser-card assembly has a white (light in color) connector and supports PCI-X adapters.
 - PCI riser slot 1 (the farthest slot from the power supplies). This slot supports only low-profile adapters.
 - PCI riser slot 2 (the closest slot to the power supplies). This slot supports only full-height, half-length adapters.

The following table lists the supported configurations for the PCI riser-card slot.

Table 14. PCI riser slots supported configurations

| PCI riser-card slot number | Configuration 1 | Configuration 2 | Configuration 3 | Configuration 4 |
|----------------------------|---|---|--|---|
| Slot 1 | PCI Express Gen 2 (x16) card with a PCI Express riser card with a low-profile bracket | PCI Express Gen 2 (x16) card with a PCI Express riser card with a low-profile bracket | PCI-X 1.0a 64-bit/133 MHz card with a PCI-X riser card with a low-profile bracket | PCI-X 1.0a 64-bit/133 MHz card with a PCI-X riser card with a low-profile bracket |
| Slot 2 | PCI Express Gen 2 (x16) card with a PCI Express riser card with a standard bracket | PCI-X 1.0a 64-bit/133 MHz card with a PCI-X riser card with a standard bracket | PCI Express Gen 2 (x16) card with a PCI Express riser card with a standard bracket | PCI-X 1.0a 64-bit/133 MHz card with a PCI-X riser card with a standard bracket |

Notes:

1. The instructions in this section apply to any PCI adapter (for example, video graphics adapters or network adapters).
2. Do not set the maximum digital video adapter resolution above 1600 x 1200 at 75 Hz for an LCD monitor. This is the highest resolution that is supported for any add-on video adapter that you install in the server.

3. Any high-definition video-out connector or stereo connector on any add-on video adapter is not supported.

To install an adapter, complete the following steps:

- Step 1. Read the safety information that begins on “Safety” on page iii and “Installation guidelines” on page 43.
- Step 2. Turn off the server and peripheral devices and disconnect all power cords.
- Step 3. Remove the cover (see “Removing the cover” on page 51).
- Step 4. Follow the cabling instructions, if any come with the adapter. Route the adapter cables before you install the adapter.
- Step 5. Insert the adapter into the riser-card assembly, aligning the edge connector on the adapter with the connector on the riser-card assembly. Press the edge of the connector *firmly* into the riser-card assembly. Make sure that the adapter snaps into the riser-card assembly securely.

Attention: When you install an adapter, make sure that the adapter is correctly seated in the riser-card assembly and that the riser-card assembly is securely seated in the riser-card connector on the system board before you turn on the server. An incorrectly seated adapter might cause damage to the system board, the riser-card assembly, or the adapter.

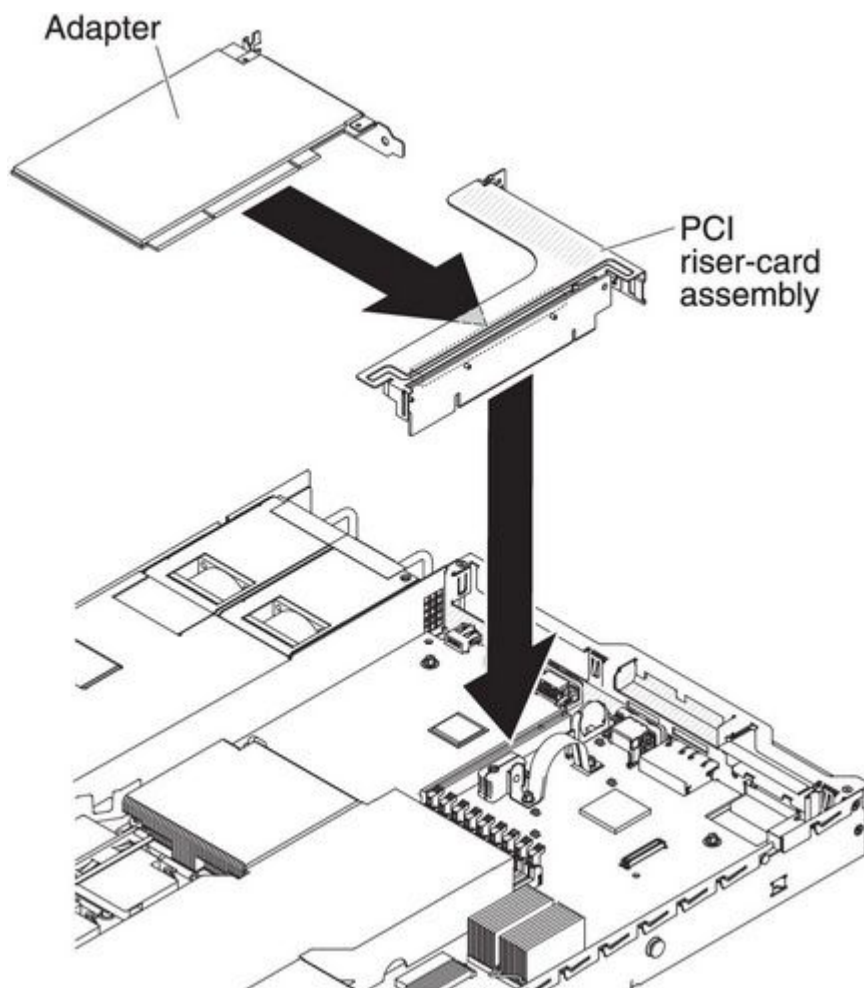


Figure 42. Adapter installation

- Step 6. Install the riser-card assembly in the server (see “Replacing a PCI riser-card assembly” on page 68).
- Step 7. Perform any configuration tasks that are required for the adapter.

If you have other devices to install or remove, do so now. Otherwise, go to “Completing the installation” on page 112.

Replacing a PCI Express assembly with a PCI-X assembly

Use this information to replace a PCI Express assembly with a PCI-X assembly.

The server comes with one PCI riser-card assembly installed in slot 2. You can replace a PCI Express riser-card assembly with a PCI-X riser-card assembly.

To replace a PCI Express riser-card assembly with a PCI-X riser-card assembly, complete the following steps:

- Step 1. Read the safety information that begins on “Safety” on page iii and “Installation guidelines” on page 43.
- Step 2. Turn off the server and peripheral devices and disconnect all power cords.
- Step 3. Remove the cover (see “Removing the cover” on page 51).
- Step 4. Remove the PCI Express riser-card assembly from the system board:
 - a. If an adapter is installed in the riser-card assembly, disconnect any cables that are connected to the adapter.
 - b. Grasp the riser-card assembly at the rear edge and lift it from the riser-card connector on the system board.
 - c. Remove the adapter, if one is present, from the riser-card assembly.
 - d. Store the riser-card assembly and the adapter in a safe place for possible future use.
- Step 5. Install a PCI-X adapter into the new PCI-X riser-card assembly. See “Installing an adapter” on page 70 for more information. Set any jumpers or switches on the adapter as directed by the adapter manufacturer.

Note: You might have to replace the brackets when you replace a PCI Express assembly with a PCI-X assembly.

- Step 6. Insert the PCI-X riser-card assembly into the riser-card connector on the system board. Make sure that it is fully seated.

If you have other devices to install or remove, do so now. Otherwise, go to “Completing the installation” on page 112.

Replacing a PCI-X assembly with a PCI Express assembly

Use this information to replace a PCI-X assembly with a PCI Express assembly.

The server comes with one PCI riser-card assembly installed in slot 2. You can replace a PCI-X riser-card assembly with a PCI Express riser-card assembly.

To replace a PCI-X riser-card assembly with a PCI Express riser-card assembly, complete the following steps:

- Step 1. Read the safety information that begins on “Safety” on page iii and “Installation guidelines” on page 43.
- Step 2. Turn off the server and peripheral devices and disconnect all power cords.

- Step 3. Remove the cover (see “Removing the cover” on page 51).
- Step 4. Remove the PCI-X riser-card assembly from the system board:
- If an adapter is installed in the riser-card assembly, disconnect any cables that are connected to the adapter.
 - Grasp the riser-card assembly at the rear edge and lift it from the riser-card connector on the system board.
 - Remove the adapter, if one is present, from the riser-card assembly.
 - Store the riser-card assembly and the adapter in a safe place for possible future use.
- Step 5. Install a PCI Express adapter in the PCI Express riser-card assembly. See “Installing an adapter” on page 70 for more information. Set any jumpers or switches on the adapter as directed by the adapter manufacturer.
- Note:** You might have to replace the bracket when you replace a PCI-X assembly with a PCI Express assembly.
- Step 6. Insert the PCI Express riser-card assembly into the riser-card connector on the system board. Make sure that it is fully seated.

If you have other devices to install or remove, do so now. Otherwise, go to “Completing the installation” on page 112.

Installing a ServeRAID SAS/SATA controller on the SAS/SATA RAID riser card

Use this information to install a ServeRAID SAS/SATA controller on the SAS/SATA RAID riser card.

To install a SAS/SATA adapter on the SAS/SATA RAID riser card, complete the following steps:

- Read the safety information that begins on “Safety” on page iii and “Installation guidelines” on page 43.
- Make sure that the server is turned off, all external cables and power cords are disconnected, and the cover has been removed.
- If you are installing a new or replacement SAS/SATA adapter, touch the static-protective package that contains the new SAS/SATA adapter to any unpainted metal surface on the server. Then, remove the new SAS/SATA adapter from the package.
- Align the SAS/SATA adapter so that the keys align correctly with the connector on the SAS/SATA RAID riser-card assembly.

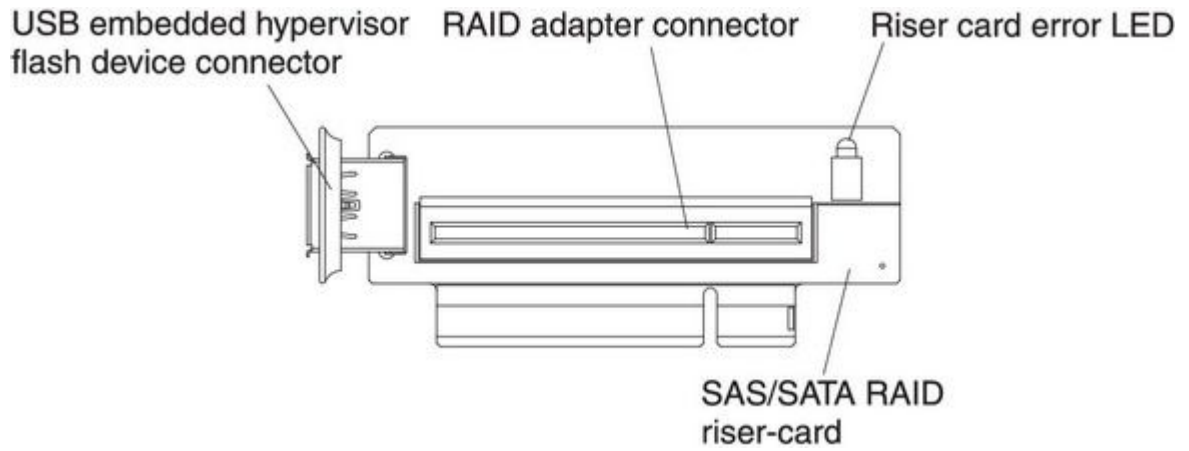


Figure 43. RAID adapter connector

Step 5. Insert the SAS/SATA adapter into the connector on the SAS/SATA RAID riser card until it is firmly seated.

Attention: Incomplete insertion might cause damage to the server or the adapter.

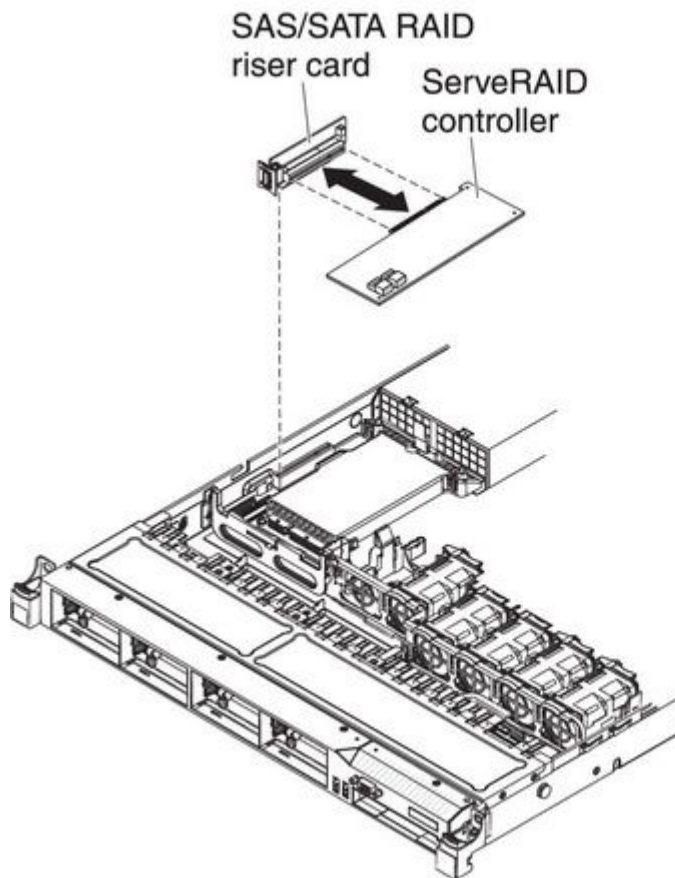


Figure 44. ServeRAID controller installation

Step 6. Align the SAS RAID riser-card assembly keys correctly with the connector on the system board and press down on the assembly until it is seated firmly into the connector on the system board.

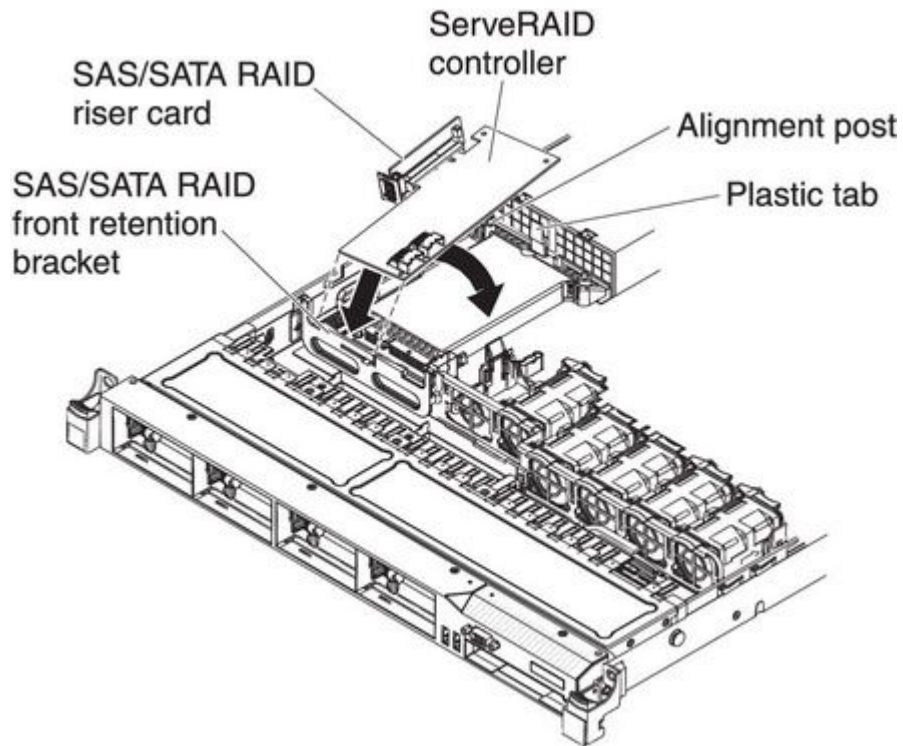


Figure 45. ServeRAID controller installation

Step 7. Route the signal cables from the drive backplane over the blue adapter retention bracket.

Step 8. Connect the signal cables to the SAS/SATA adapter:

- **ServeRAID-BR10il v2 adapter:** Take the signal cable that is attached to the drive backplane for drive bays 0 through 3 and connect it to the SAS/SATA connector on the ServeRAID adapter.

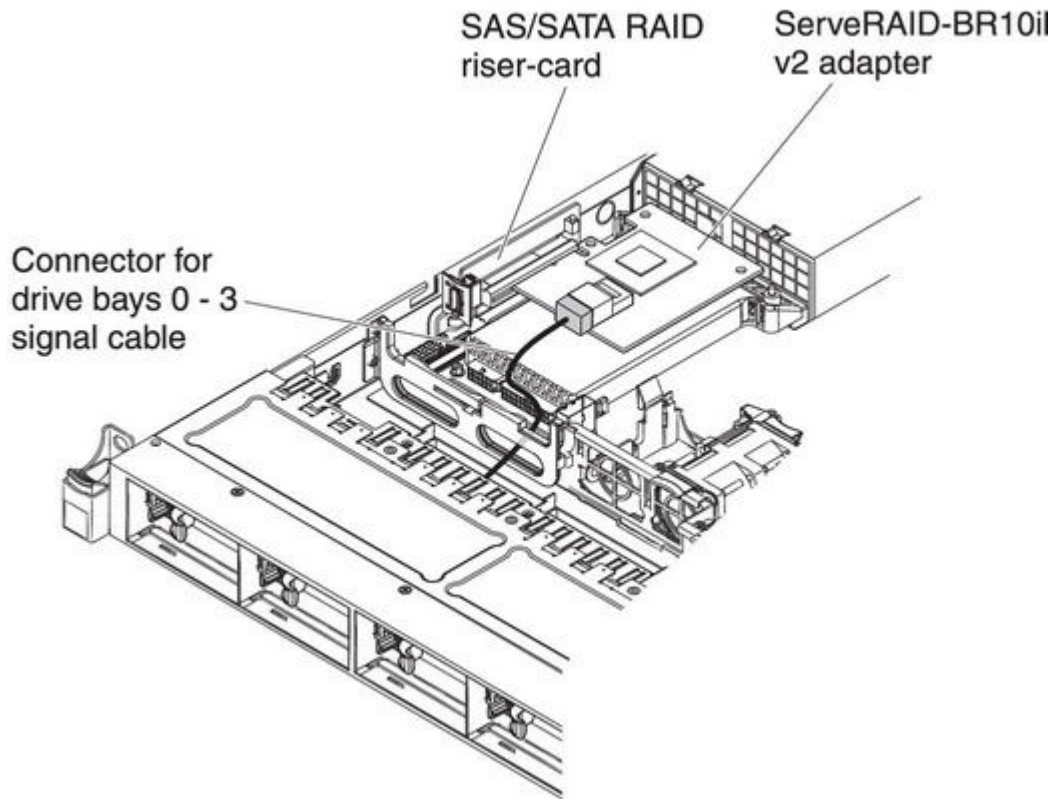


Figure 46. ServeRAID-BR10i v2 adapter cable connection

- **ServeRAID-BR10i, ServeRAID-M1015, ServeRAID-M5014, or ServeRAID-M5015 adapter:** Take the signal cable that is attached to the drive backplane for drive bays 4 through 7 and connect it to the ServeRAID adapter connector that is closest to the power supply cage. Connect the other signal cable so that is attached to the drive backplane for drive bays 0 through 3 and connect it to the other connector on the adapter.

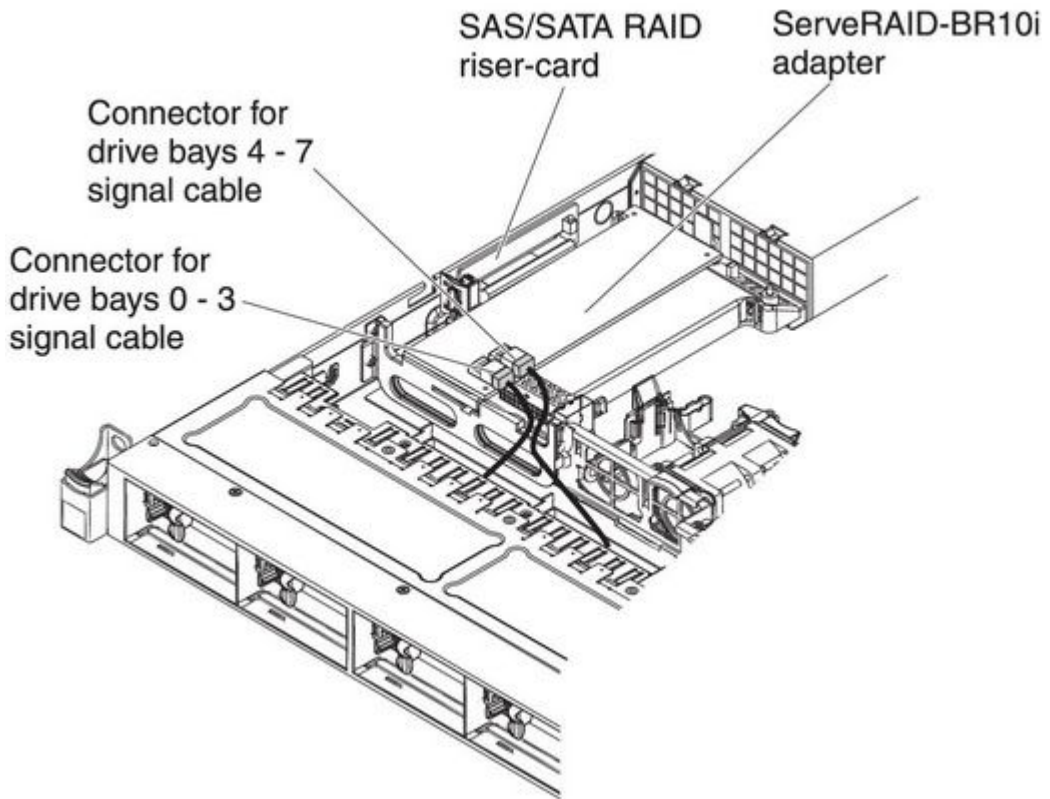


Figure 47. ServeRAID-BR10i adapter cable connection

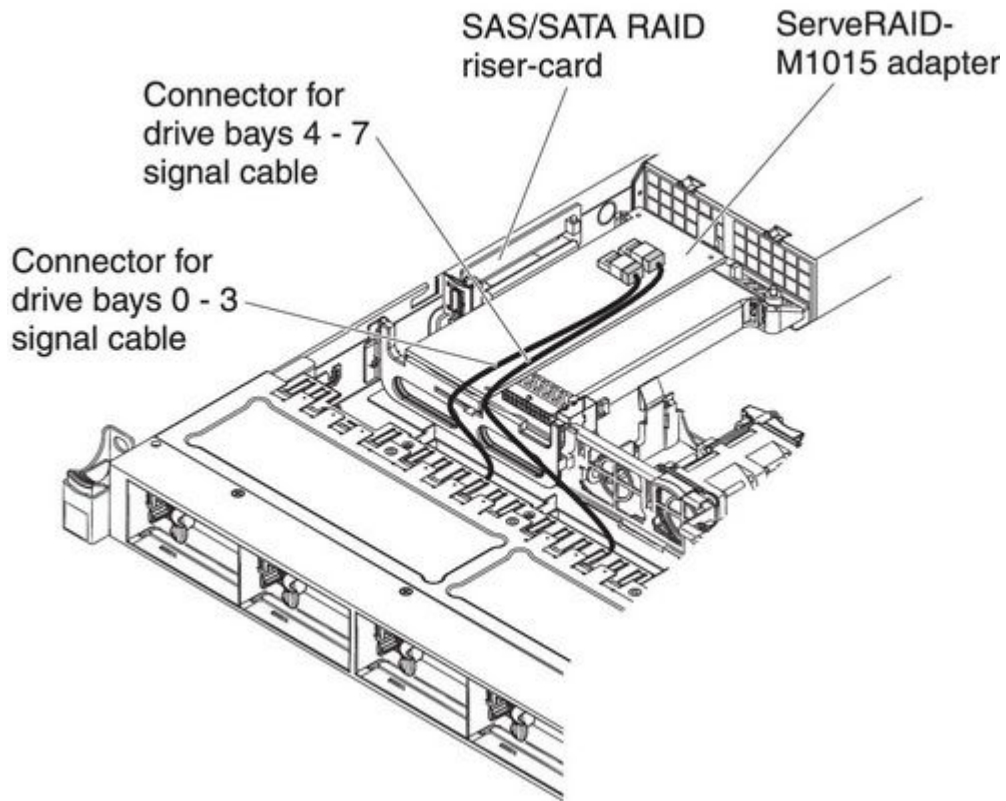


Figure 48. ServeRAID-M5015 adapter cable connection

- **ServeRAID-M10i adapter:** Take the signal cable that is attached to the drive backplane for drive bays 0 through 3 and connect it to the connector on the ServeRAID adapter connector that is closest to the power-supply cage. Connect the other signal cable so that is attached to the drive backplane for drive bays 4 and 7 and connect it to the other connector on the adapter.

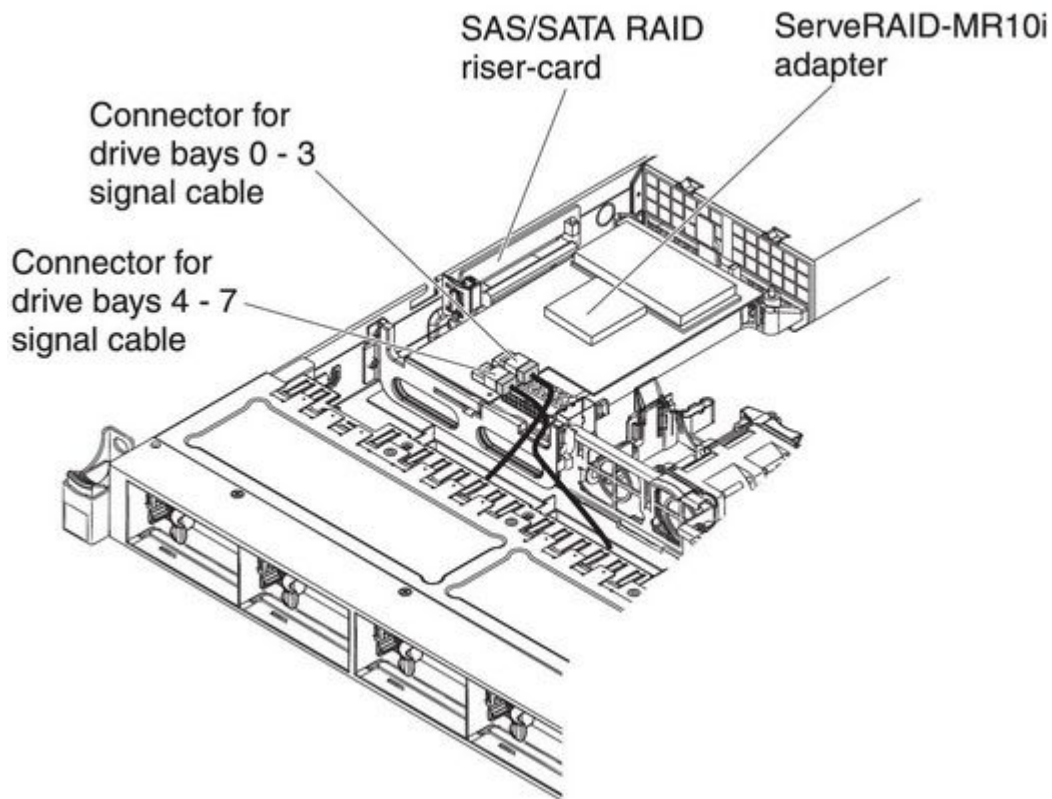


Figure 49. ServeRAID-M10i adapter cable connection

If you have other devices to install or remove, do so now. Otherwise, go to “Completing the installation” on page 112.

Installing an optional ServeRAID adapter advanced feature key

Use this information to install an optional ServeRAID adapter advanced feature key.

To install an optional ServeRAID adapter advanced feature key, complete the following steps:

- Step 1. Read the safety information that begins on “Safety” on page iii and “Installation guidelines” on page 43.
- Step 2. Turn off the server and peripheral devices and disconnect all power cords.
- Step 3. Remove the cover (see “Removing the cover” on page 51).
- Step 4. Align the upgrade key with the connector on the ServeRAID adapter and push it into the connector until it is firmly seated.

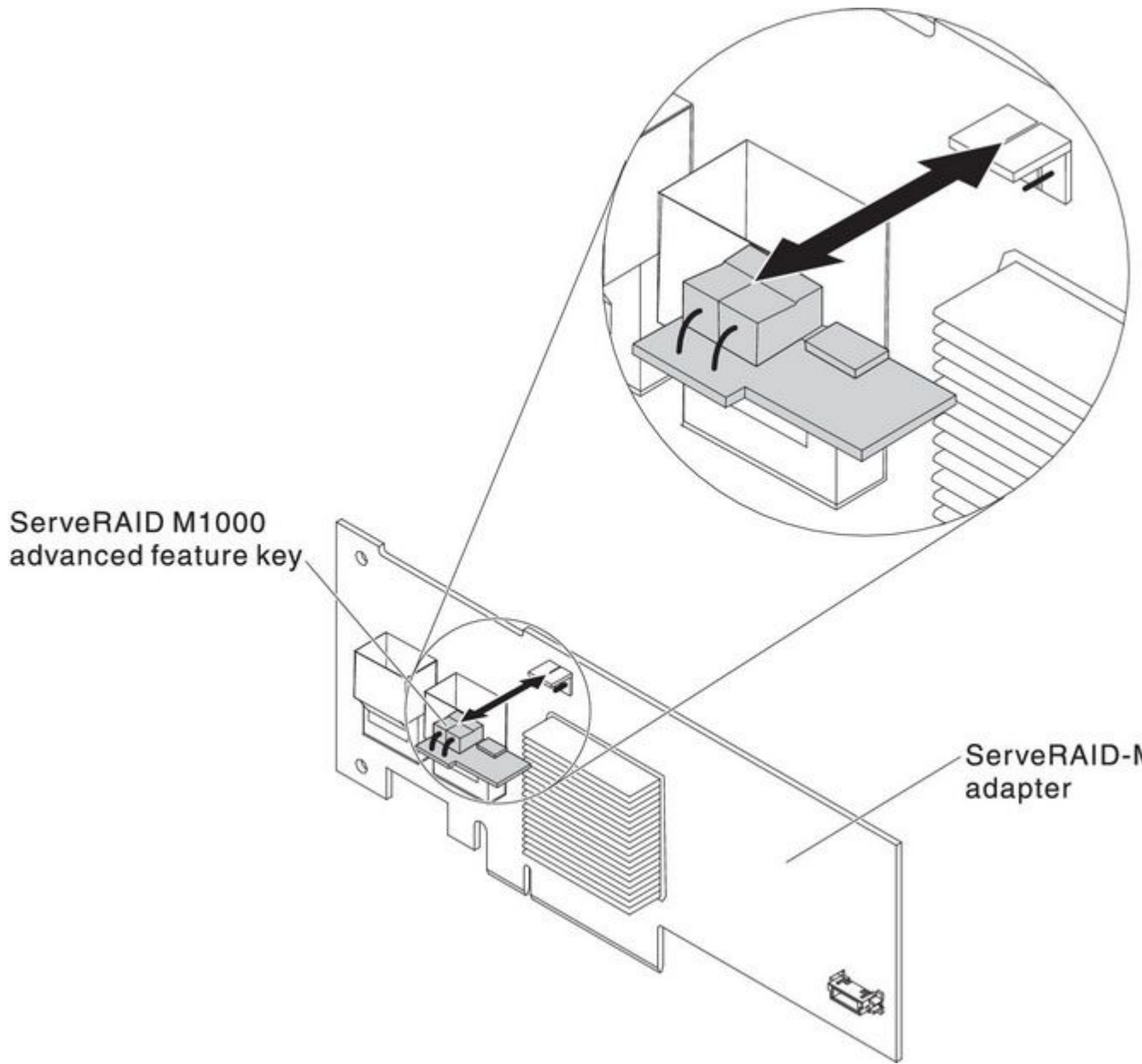


Figure 50. ServeRAID M1000 advanced feature key installation

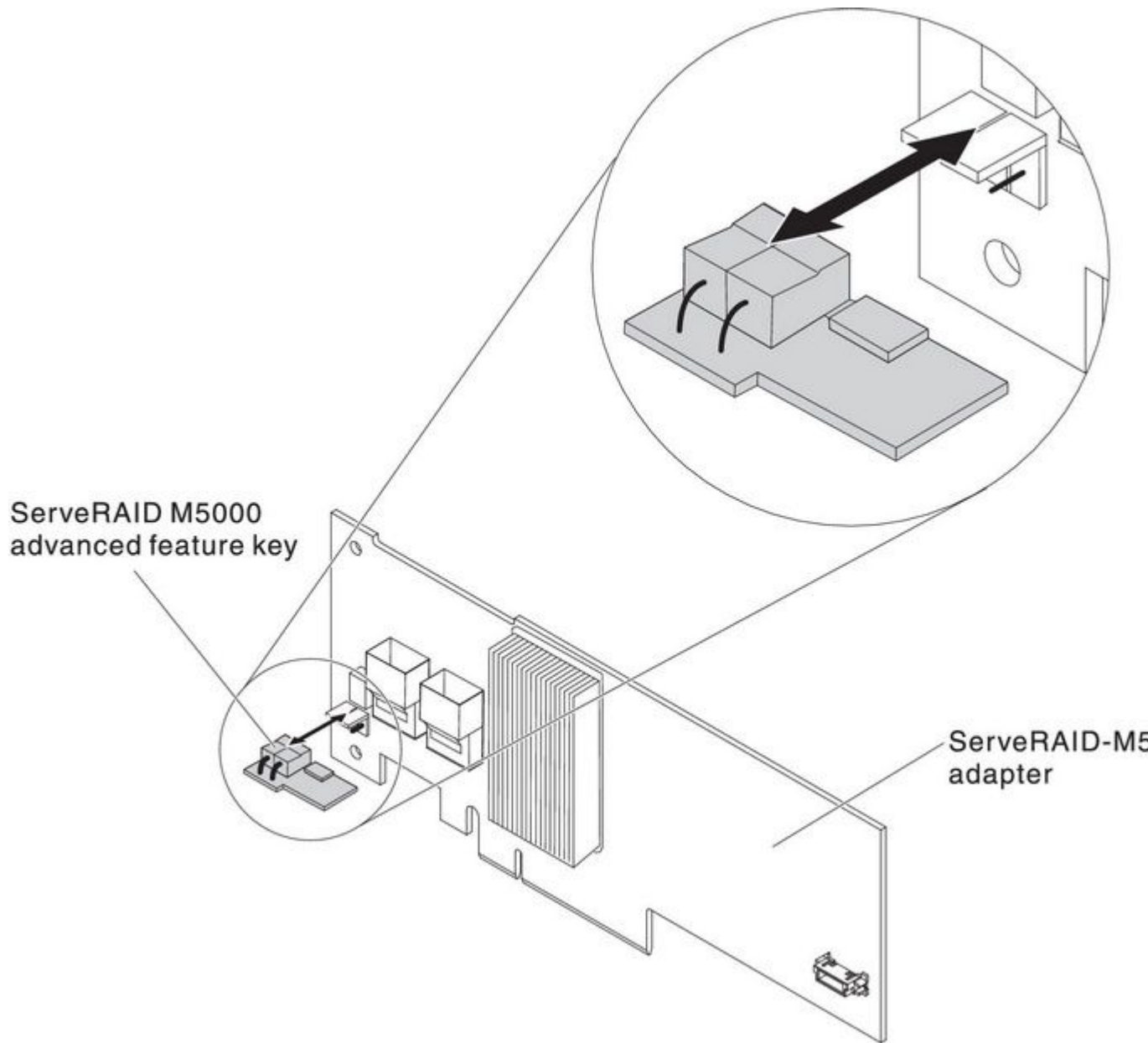


Figure 51. ServeRAID M5000 advanced feature key installation

If you have other devices to install or remove, do so now. Otherwise, go to “Completing the installation” on page 112.

Installing a hot-swap fan assembly

Use this information to install a hot-swap fan assembly.

The server comes standard with five dual-motor hot-swap cooling fans.

Attention: To ensure proper operation, replace a failed hot-swap fan within 30 seconds.

To install an additional hot-swap fan, complete the following steps:

- Step 1. Read the safety information that begins on “Safety” on page iii and “Installation guidelines” on page 43.
- Step 2. Remove the cover (see “Removing the cover” on page 51).
- Step 3. Touch the static-protective package that contains the new fan to any unpainted metal surface on the server. Then, remove the new fan from the package.

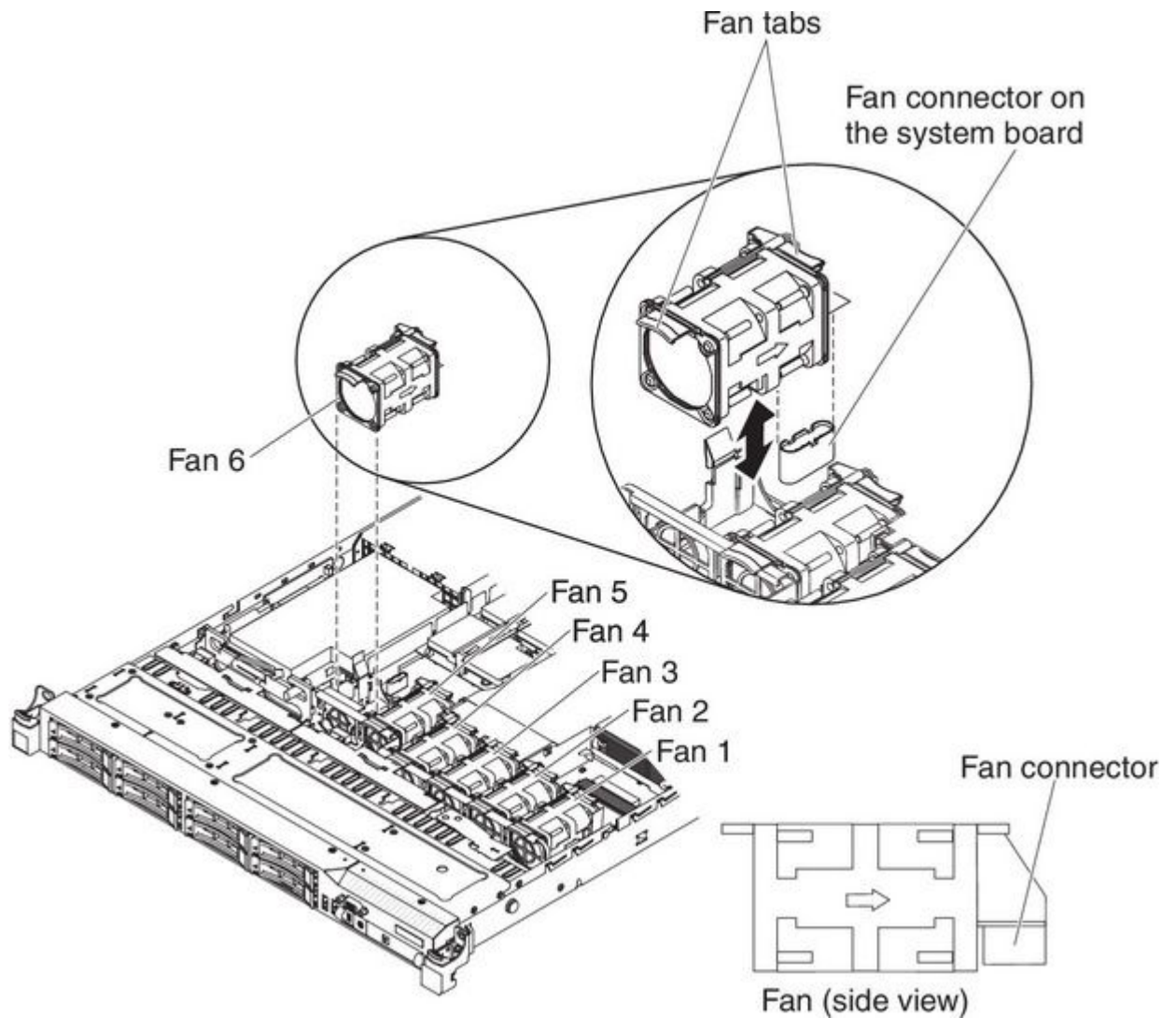


Figure 52. Fan installation

- Step 4. Orient the fan over the fan slot in the fan assembly bracket so that the fan connector aligns with the connector on the system board.

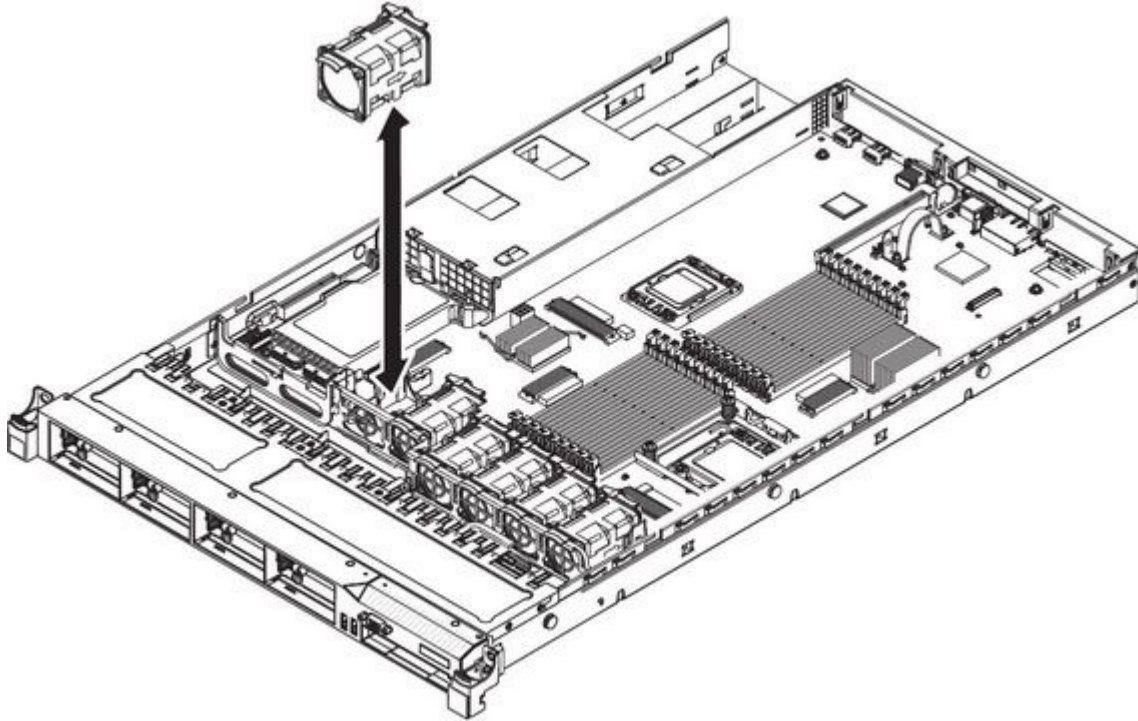


Figure 53. Fan installation

Step 5. Insert the fan into the fan slot in the fan assembly bracket and press it down until it is seated correctly in the slot and the fan connector is seated correctly in the connector on the system board.

If you have other devices to install or remove, do so now. Otherwise, go to “Completing the installation” on page 112.

Installing a hot-swap ac power supply

Use this information to install a hot-swap ac power supply.

The following notes describe the type of ac power supply that the server supports and other information that you must consider when you install a power supply:

- Make sure that the devices that you are installing are supported. For a list of supported optional devices for the server, see <http://www.ibm.com/systems/info/x86servers/serverproven/compat/us/>.
- Before you install an additional power supply or replace a power supply with one of a different wattage, you may use the IBM Power Configurator utility to determine current system power consumption. For more information and to download the utility, go to <http://www.ibm.com/systems/bladecenter/resources/powerconfig.html>.
- The server comes with one hot-swap 12-volt output power supply that connects to power supply bay 1. The input voltage is 110 V ac or 220 V ac auto-sensing.
- You cannot mix 460-watt and 675-watt power supplies, high-efficiency and non-high-efficiency power supplies, or ac and dc power supplies in the server.
- The following information applies when you install 460-watt power supplies in the server:
 - A warning message is generated if the total power consumption exceeds 400 watts and the server only has one operational 460-watt power supply. In this case, the server can still operate under normal

condition. Before you install additional components in the server, you must install an additional power supply

- The server automatically shuts down if the total power consumption exceeds the total power supply output capacity
- You can enable the power capping feature in the Setup utility to control and monitor power consumption in the server (see “Setup utility menu choices” on page 119)

The following table shows the system status when you install 460-watt power supplies in the server:

Table 15. System status with 460-watt power supplies installed

| Total system power consumption (in watts) | Number of 460-watt power supplies installed | | |
|---|---|-------------------------|------------------------|
| | One | Two | Two with one failure |
| < 400 | Normal | Normal, redundant power | Normal |
| 400 ~ 460 | Normal, status warning | Normal, redundant power | Normal, status warning |
| > 460 | System shutdown | Normal | System shutdown |

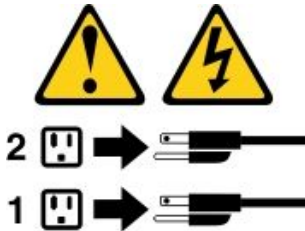
- Power supply 1 is the default/primary power supply. If power supply 1 fails, you must replace the power supply immediately.
- You can order an optional power supply for redundancy.
- These power supplies are designed for parallel operation. In the event of a power-supply failure, the redundant power supply continues to power the system. The server supports a maximum of two power supplies.
- For instructions on how to install a hot-swap dc power supply, refer to the documentation that comes with the dc power supply.

Statement 5



CAUTION:

The power control button on the device and the power switch on the power supply do not turn off the electrical current supplied to the device. The device also might have more than one power cord. To remove all electrical current from the device, ensure that all power cords are disconnected from the power source.



Statement 8



CAUTION:

Never remove the cover on a power supply or any part that has the following label attached.



Hazardous voltage, current, and energy levels are present inside any component that has this label attached. There are no serviceable parts inside these components. If you suspect a problem with one of these parts, contact a service technician.

To install a hot-swap power supply, complete the following steps:

- Step 1. Read the safety information that begins on “Safety” on page iii and “Installation guidelines” on page 43.
- Step 2. Touch the static-protective package that contains the hot-swap power supply to any unpainted metal surface on the server; then, remove the power supply from the package and place it on a static-protective surface.
- Step 3. If you are installing a hot-swap power supply into an empty bay, remove the power-supply filler panel from the power-supply bay.

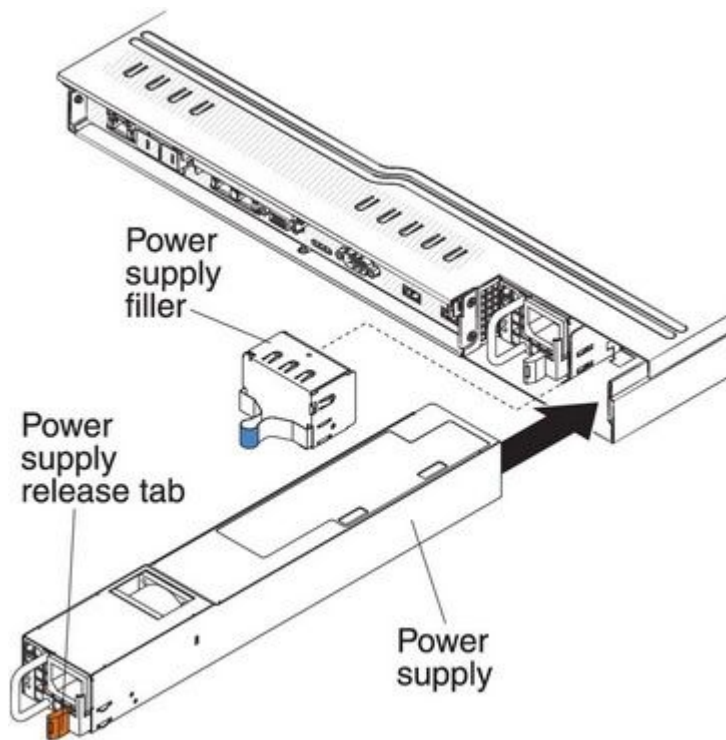


Figure 54. Power supply installation

- Step 4. Grasp the handle on the rear of the power supply and slide the power supply forward into the power-supply bay until it clicks. Make sure that the power supply connects firmly into the power-supply connector.
- Attention:** Do not install 460-watt and 675-watt power supplies, high-efficiency and non-high-efficiency power supplies, or ac and dc power supplies in the server.
- Step 5. Route the power cord through the handle so that it does not accidentally become unplugged.
- Step 6. Connect the power cord for the new power supply to the power-cord connector on the power supply.
- Step 7. Connect the other end of the power cord to a properly grounded electrical outlet.
- Step 8. Make sure that the ac power LED and the dc power LED on the ac power supply are lit, indicating that the power supply is operating correctly. The two green LEDs are to the right of the power-cord connector.
- Step 9. If you are replacing a power supply with one of a different wattage, apply the power information label provided with the new power supply over the existing power information label on the server.



Figure 55. Power information label

- Step 10. (IBM Business Partners only) Restart the server. Confirm that it starts correctly and recognizes the newly installed devices, and make sure that no error LEDs are lit.
- Step 11. (IBM Business Partners only) Complete the additional steps in “Instructions for IBM Business Partners” on page 33.

Installing a USB embedded hypervisor flash device

Use this information to install a USB embedded hypervisor flash device.

To install a hypervisor flash device, complete the following steps:

- Step 1. Read the safety information that begins on “Safety” on page iii and “Installation guidelines” on page 43.
- Step 2. Turn off the server and peripheral devices and disconnect the power cords.

- Step 3. Remove the cover (see “Removing the cover” on page 51).
- Step 4. Align the flash device with the connector on the SAS/SATA RAID riser-card assembly and push it into the connector until it is firmly seated.
- Step 5. Slide the blue lockbar toward the flash device to the locked position until it is seated firmly.

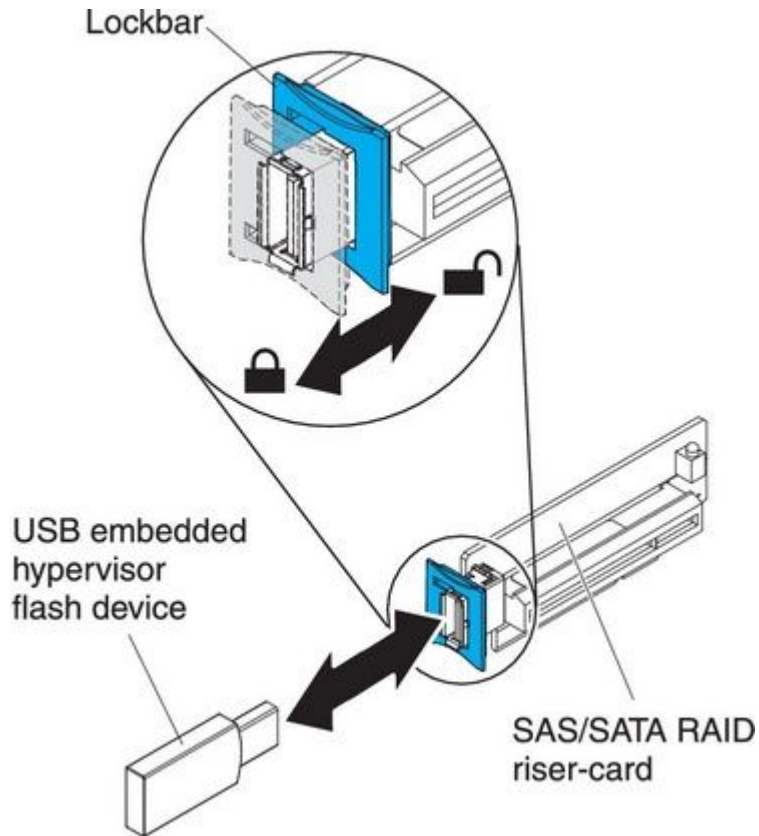


Figure 56. USB embedded hypervisor flash device installation

If you have other devices to install or remove, do so now. Otherwise, go to “Completing the installation” on page 112.

Installing the virtual media key

Use this information to install the virtual media key.

To install the virtual media key, complete the following steps:

- Step 1. Read the safety information that begins on “Safety” on page iii and “Installation guidelines” on page 43.
- Step 2. Turn off the server and peripheral devices and disconnect the power cords.
- Step 3. Remove the cover (see “Removing the cover” on page 51).
- Step 4. Align the virtual media key with the mounting tab and slide it down the tab onto the connector on the system board. Press the virtual media key down into the connector until it is firmly seated on the system board.

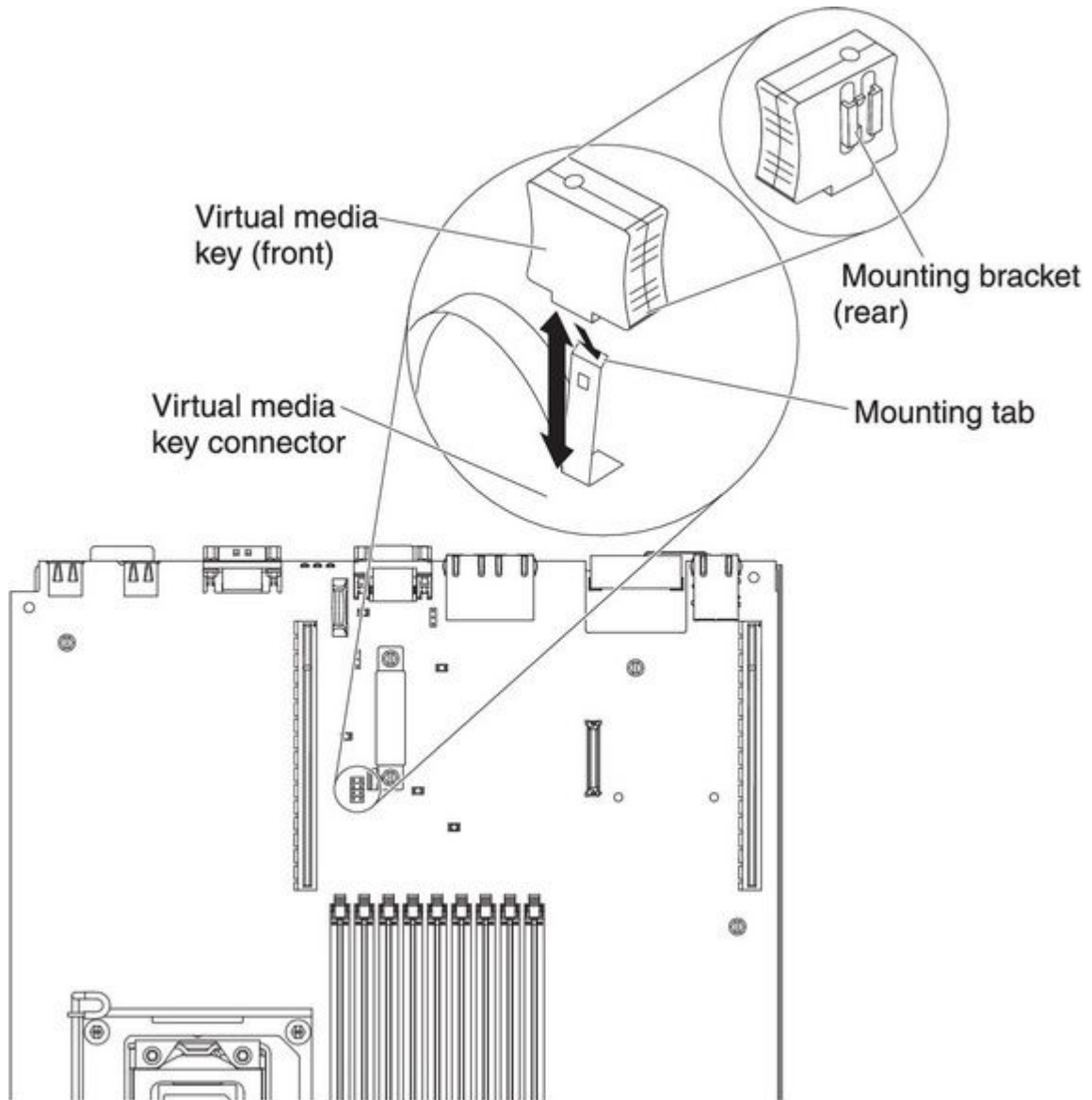


Figure 57. Virtual media key installation

If you have other devices to install or remove, do so now. Otherwise, go to “Completing the installation” on page 112.

Installing the optional two-port Ethernet adapter

Use this information to install the optional two-port Ethernet adapter.

To install the Ethernet adapter, complete the following steps:

- Step 1. Read the safety information that begins on “Safety” on page iii and “Installation guidelines” on page 43.
- Step 2. Turn off the server and peripheral devices and disconnect the power cords.
- Step 3. Remove the cover (see “Removing the cover” on page 51).

- Step 4. Remove the PCI riser-card assembly (if installed) from PCI riser connector 1 (see “Replacing a PCI riser-card assembly” on page 68).
- Step 5. Attach the rubber stopper on the chassis, along the edge of the system board, as shown in the following illustration.

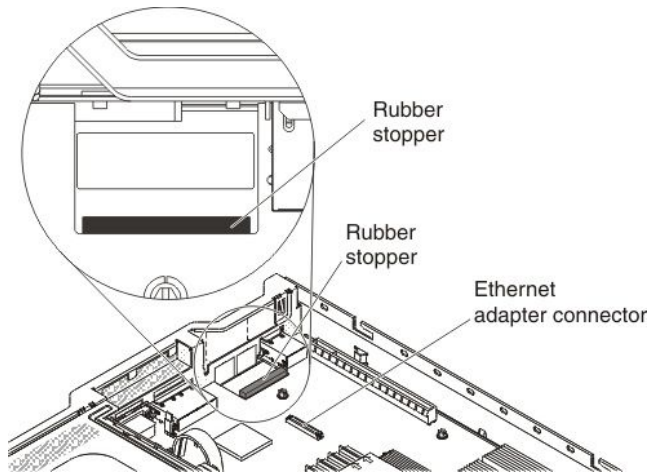


Figure 58. Rubber stopper

- Step 6. Remove the adapter filler panel on the rear of the chassis (if it has not been removed already).

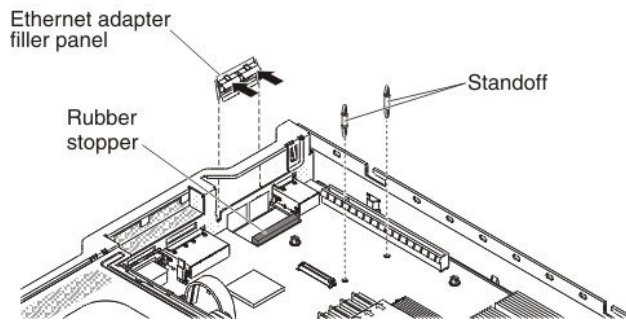


Figure 59. Filler panel removal

- Step 7. Install the two standoffs on the system board.
- Step 8. Insert the bottom tabs of the metal clip into the port openings from outside the chassis.

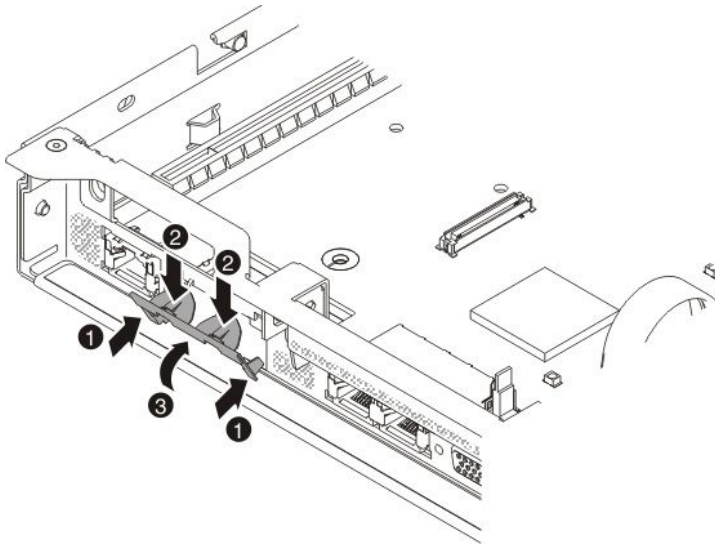


Figure 60. Metal clip installation

Step 9. While you slightly press the top of the metal clip, rotate the metal clip toward the front of the server until the metal clip clicks into place. Make sure the metal clip is securely engaged on the chassis.

Attention: Pressing the top of the metal clip with excessive force may cause damage to the metal clip.

Step 10. Touch the static-protective package that contains the new adapter to any unpainted metal surface on the server. Then, remove the adapter from the package.

Step 11. Align the adapter with the adapter connector on the system board; then, tilt the adapter so that the port connectors on the adapter line up with the port openings on the chassis.

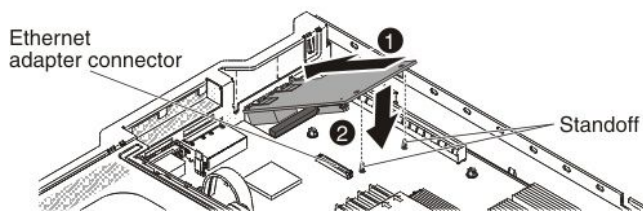


Figure 61. Adapter installation

Step 12. Slide the port connectors on the adapter into the port openings on the chassis; then, press the adapter firmly until the two standoffs engage the adapter. Make sure the adapter is securely seated on the connector on the system board. Make sure the port connectors on the adapter do not set on the rubber stopper. The following illustration shows the side view of the adapter in the server.

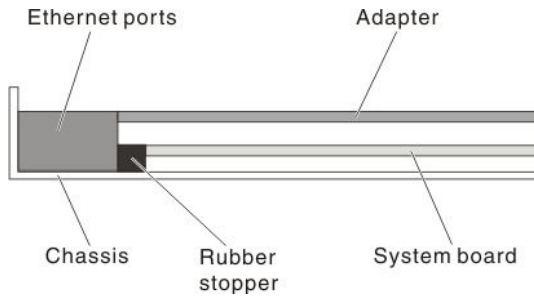


Figure 62. Adapter installation

Attention: Make sure the port connectors on the adapter are aligned properly with the chassis on the rear of the server. An incorrectly seated adapter might cause damage to the system board or the adapter.

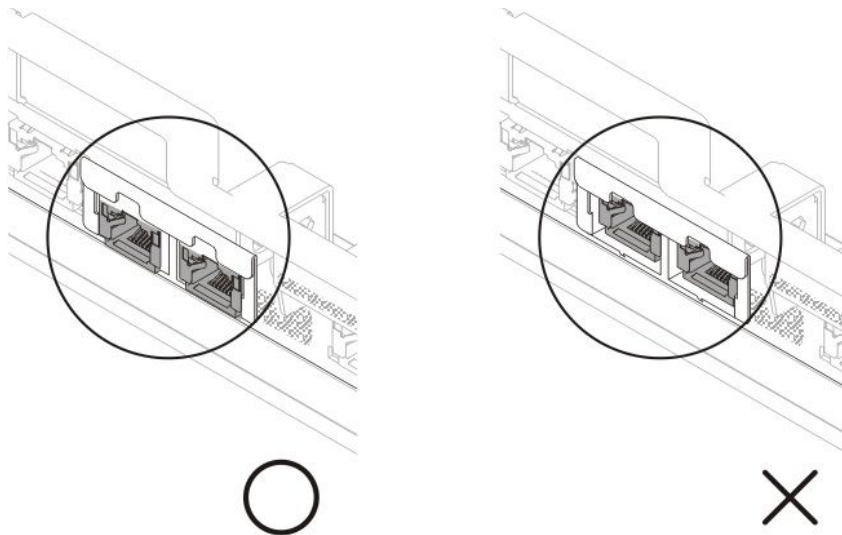


Figure 63. Port connectors

Step 13. Reinstall the PCI riser-card assembly in PCI riser connector 1 if you have removed it previously (see “Replacing a PCI riser-card assembly” on page 68).

If you have other devices to install or remove, do so now. Otherwise, go to “Completing the installation” on page 112.

Installing a RAID adapter battery remotely in the server

Use this information to install a RAID adapter battery remotely in the server.

The batteries must be installed only on top of the microprocessor 2 air baffle. To install a RAID adapter battery in the server, complete the following steps:

- Step 1. Read the safety information that begins on “Safety” on page iii and “Installation guidelines” on page 43.
- Step 2. Turn off the server and peripheral devices and disconnect the power cords.

Step 3. Remove the cover (see “Removing the cover” on page 51).

Note: Steps Step 4 “” on page 93 through Step 5 “” on page 93 apply to a RAID adapter that is already installed in the server riser-card. If no RAID adapter is installed, skip to step Step 6 “” on page 93.

Step 4. Remove the riser-card assembly from the server and set it aside (see “Replacing a PCI riser-card assembly” on page 68).

Step 5. Remove the adapter from the riser-card assembly.

Step 6. If a battery and battery carrier are attached to the RAID adapter, disconnect the battery carrier cable from the battery and remove the three screws that secure the battery carrier to the adapter. Set the battery and battery carrier aside.

Note: If your battery and battery carrier are attached with a clip, squeeze the clip on the side of the battery carrier to remove the battery from the battery carrier.

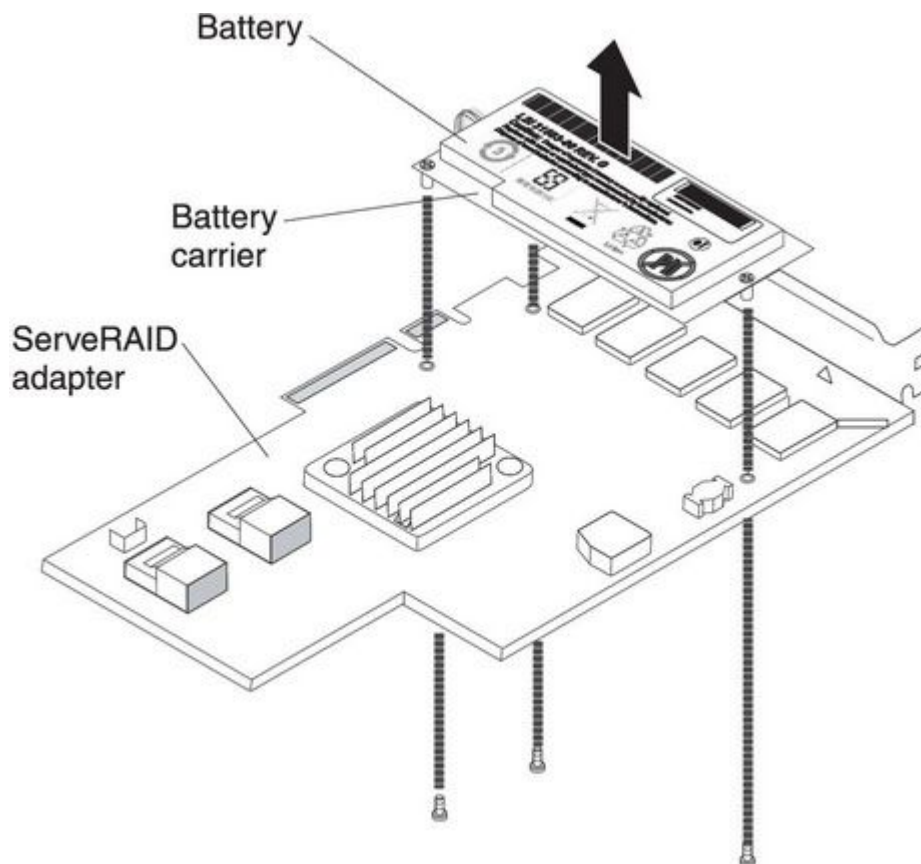


Figure 64. Battery removal

Step 7. Install the interposer card in the interposer card connector on the RAID adapter:

- a. Remove the interposer card and the screw from the bag.
- b. Rotate the plastic standoff on the interposer card so that it aligns with the hole on the RAID adapter; then, align the connector on interposer card with the interposer card connector on the RAID adapter.

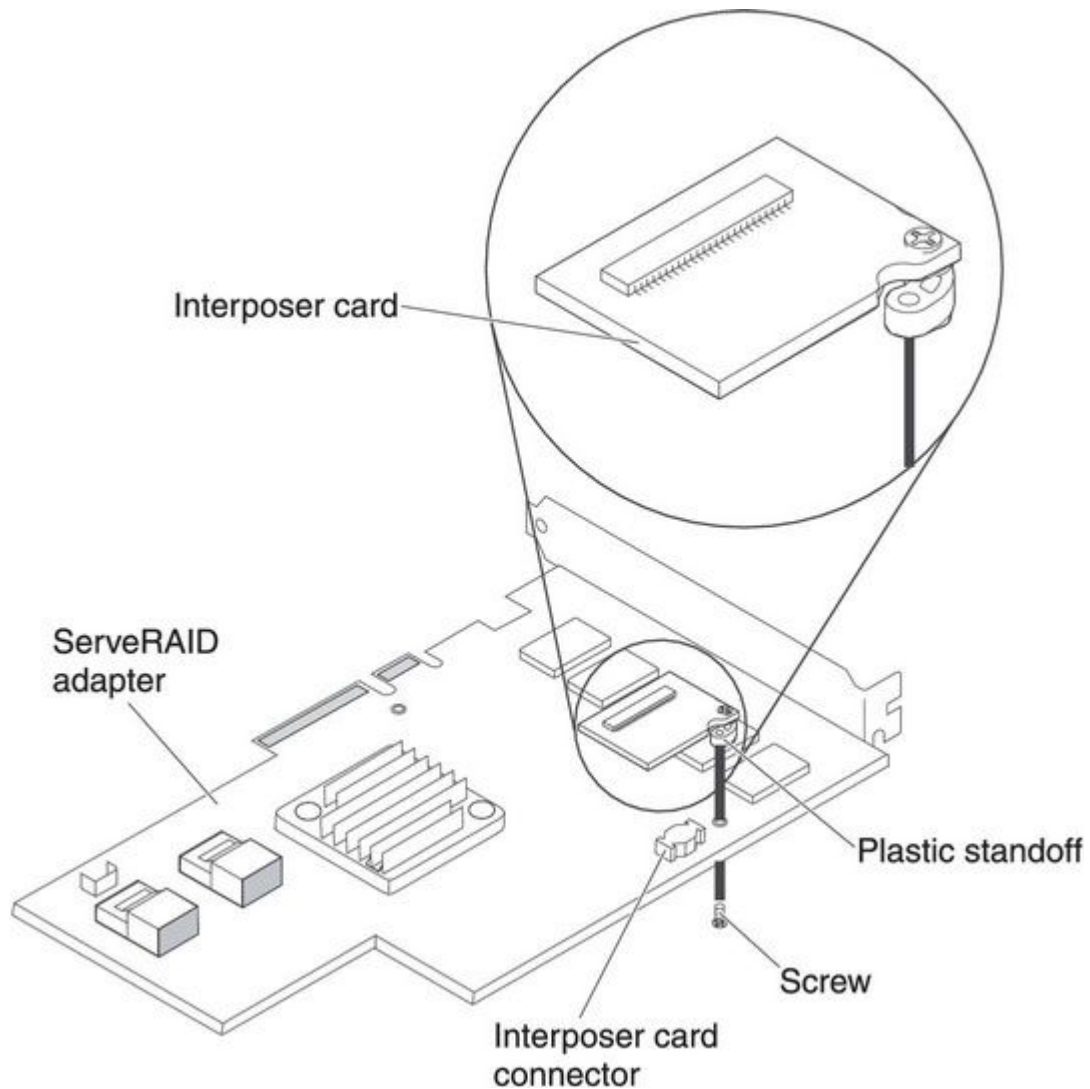


Figure 65. Interposer card installation

- c. Press the interposer card down onto the interposer card connector on the RAID adapter until it is firmly seated.
- d. From underneath the RAID adapter, insert the screw that you took from the bag and tighten the screw to secure the interposer card to the RAID adapter.

Step 8. Connect one end of the remote batter cable to the interposer card.

Attention: To avoid damage to the hardware, make sure that the black dot on the remote battery cable connector faces away from the interposer card on the adapter. Do not force the remote battery cable into the connector.

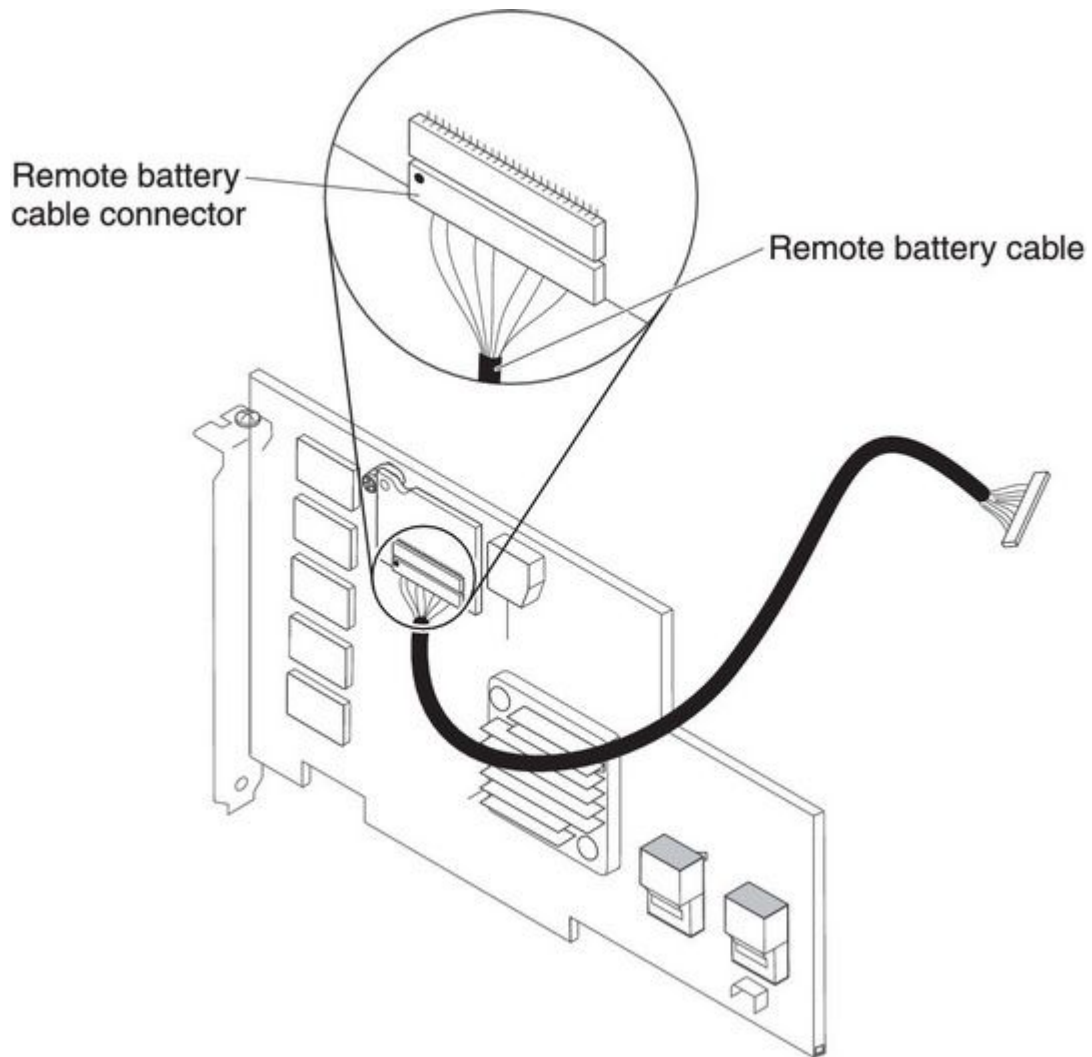


Figure 66. Cable connection

- Step 9. Install the RAID adapter on the riser-card and install the riser-card assembly in the server (see “Replacing a PCI riser-card assembly” on page 68).
- Step 10. Route the remote battery cable as shown in the illustration, depending on the PCI slot in which the RAID adapter is installed.

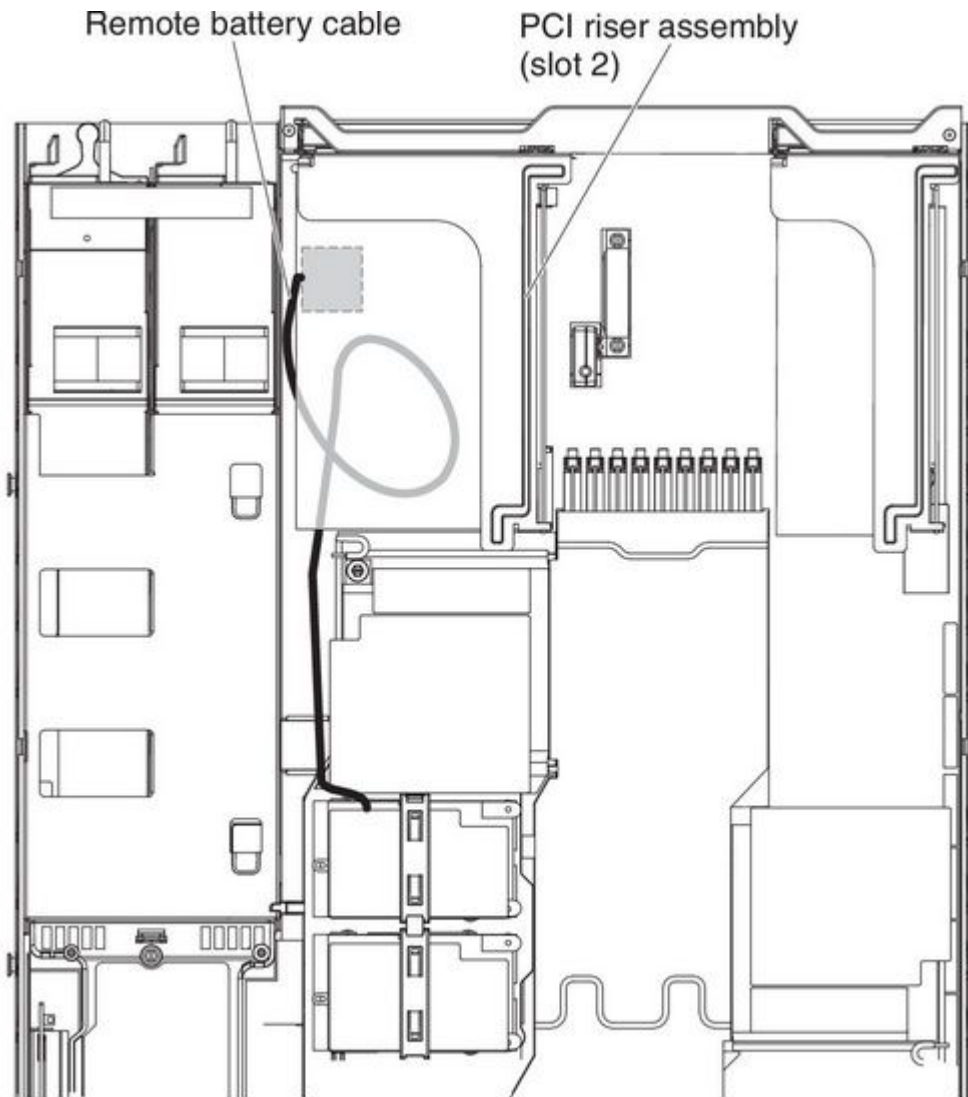


Figure 67. Cable connection

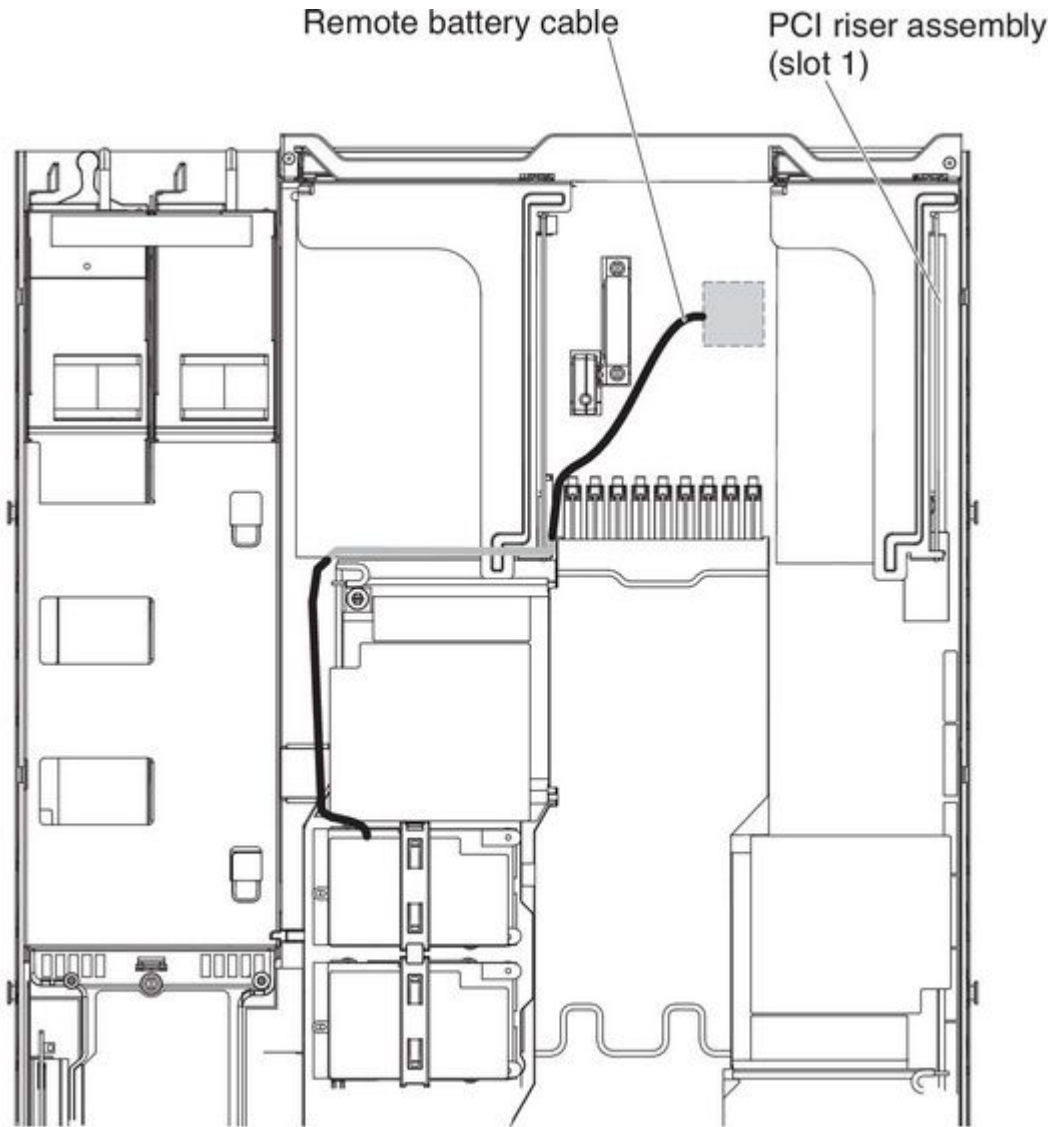


Figure 68. Cable connection

Step 11. Route the remote battery cable through the notches on the microprocessor 2 air baffle.

Attention: Make sure that the cable is not pinched and does not cover any connectors or obstruct any components on the system board.

Step 12. Connect the other end of the remote battery cable to the remote battery cable connector on the battery carrier.

Attention: To avoid damage to the hardware, make sure that the black dot on the remote battery cable connector faces away from the interposer card on the adapter. Do not force the remote battery cable into the connector.

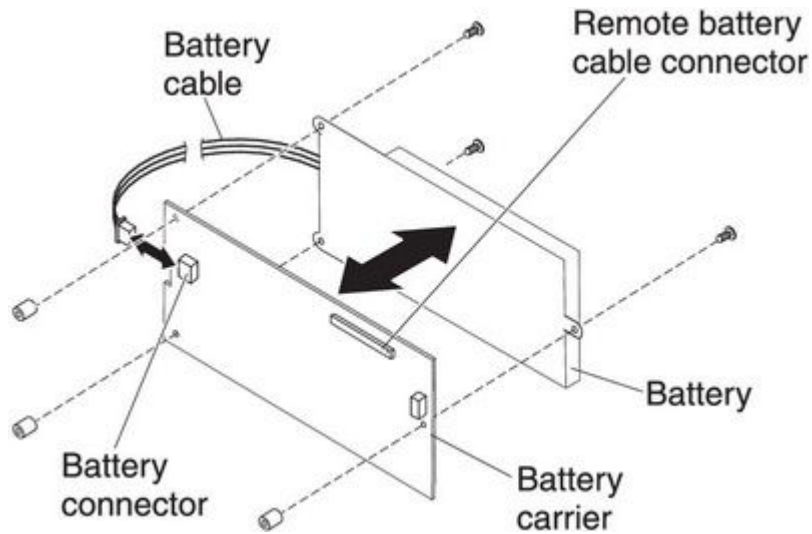


Figure 69. Cable connection

Step 13. Install the battery on the microprocessor 2 air baffle:

- a. Connect the battery cable to the battery cable connector on the battery carrier.
- b. Place the battery carrier in the battery mounting slot on the microprocessor 2 air baffle and ensure that battery carrier posts align with the rings on the battery mounting slot so that the battery carrier is secure in the slot.

Note: The positioning of the remote battery depends on the type of remote battery that you install. The long edge of the battery might fit the recessed rings either parallel or perpendicular to the front bezel.

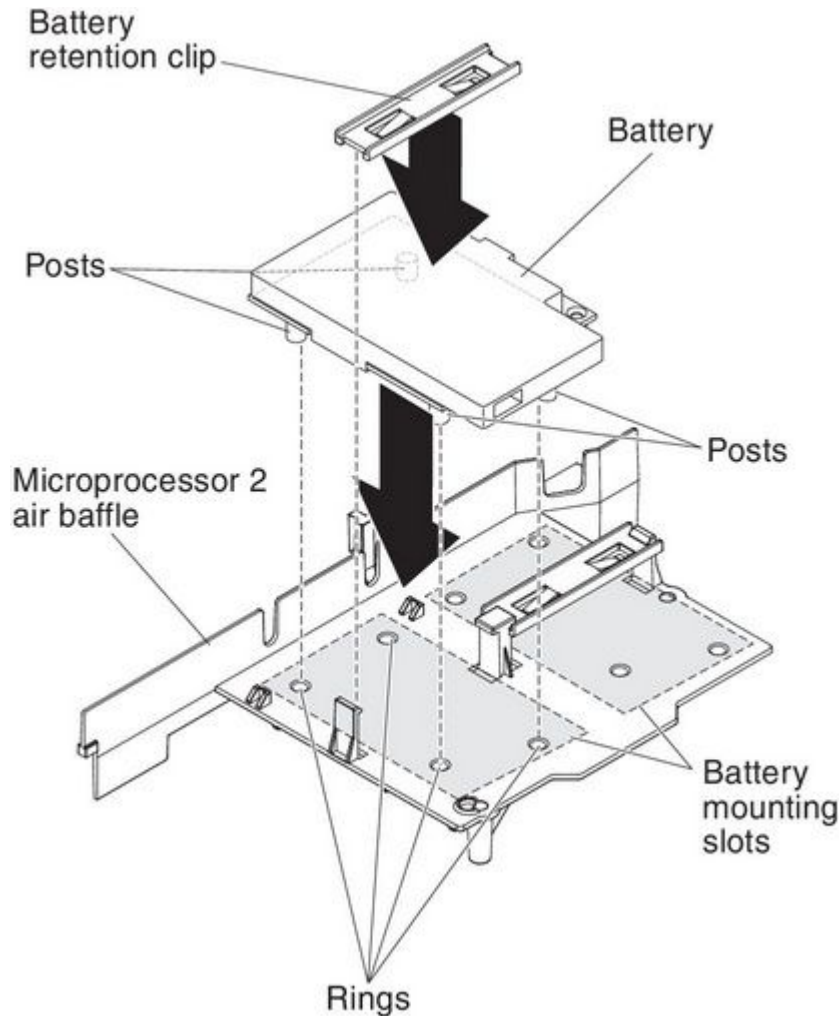


Figure 70. Battery installation

- c. Take the battery retention clip and place it underneath the other tab while pressing release tab toward the front of the server; then, press it down until it snaps in place to hold the battery carrier firmly in place.

If you have other devices to install or remove, do so now. Otherwise, go to “Completing the installation” on page 112.

Installing the DVD enablement kit

Use this information to install the DVD enablement kit.

The IBM System x3550 M3 DVD enablement kit is used to install an optical drive cage in a server with less than four hard disk drives. The optional optical drive cage is installed in the bays for hot-swap hard disk drives 5 to 8.

The DVD enablement option kit contains the following components:

- One optical drive cage
- One optical drive bay filler panel

- One SATA cable
- One retention bracket
- One bezel and screws

To install the DVD enablement kit, complete the following steps:

- Step 1. Read the safety information that begins on “Safety” on page iii and “Installation guidelines” on page 43.
- Step 2. Turn off the server and peripheral devices and disconnect the power cords.
- Step 3. Remove the cover (see “Removing the cover” on page 51).
- Step 4. Remove the hard disk drives and filler panels from the hard disk drive bays.
- Step 5. Remove the screws from the bezel.

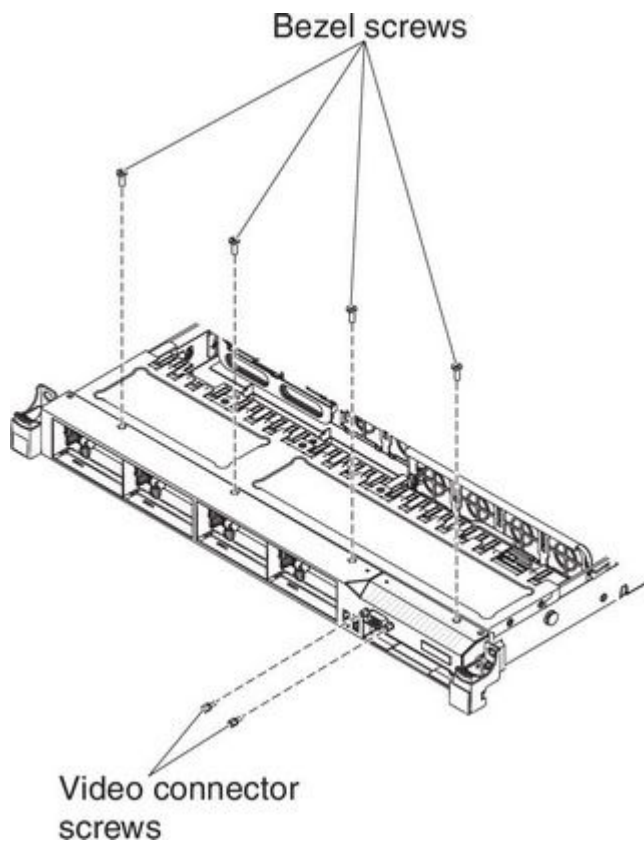


Figure 71. Screws removal

- Step 6. Remove the screws from the video connector.
- Step 7. Pull the top of the bezel out slightly; then, rotate it downward until the tabs on the bottom of the bezel disengages from the chassis and set it aside.
- Step 8. Slide the optical drive cage forward into the optical drive bay until the screw holes on the drive cage align with the screw holes on the chassis.

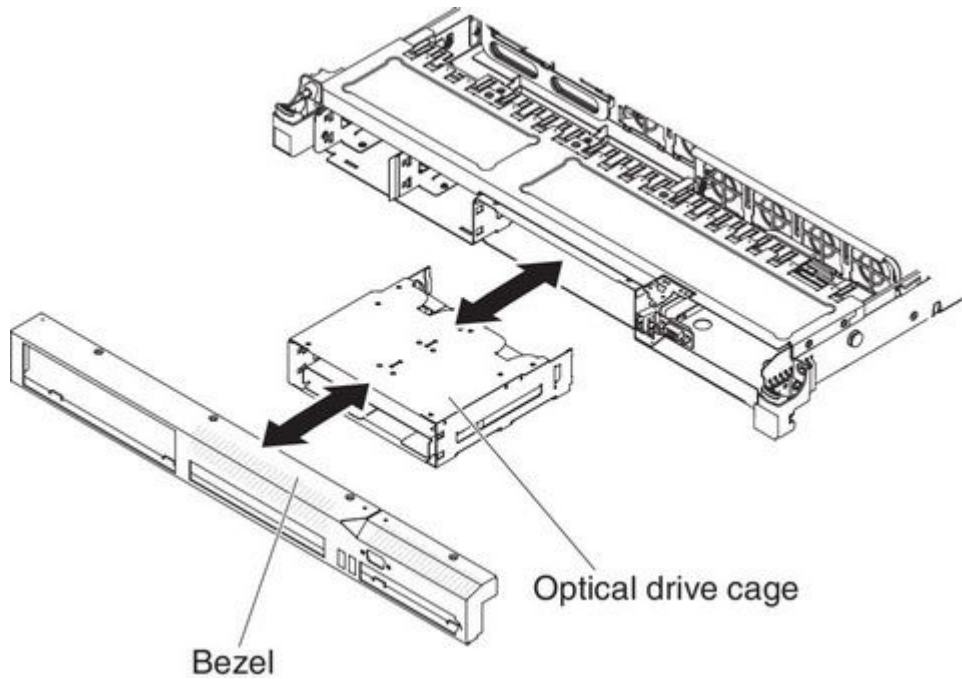


Figure 72. Optical drive cage installation

- Step 9. Insert the tabs on the bottom of the bezel into the holes on the chassis.
- Step 10. Reinstall the bezel screws and the video connector screws.
- Step 11. Align the cable connector with the connector on the rear of the optical drive cage and press the cable connector into the optical drive cage connector until it is firmly seated.
- Step 12. Pull the cable connector latch up and hold it there while you slide the cable connector to the left; then, slide the cable connector latch down to lock the cable in place.

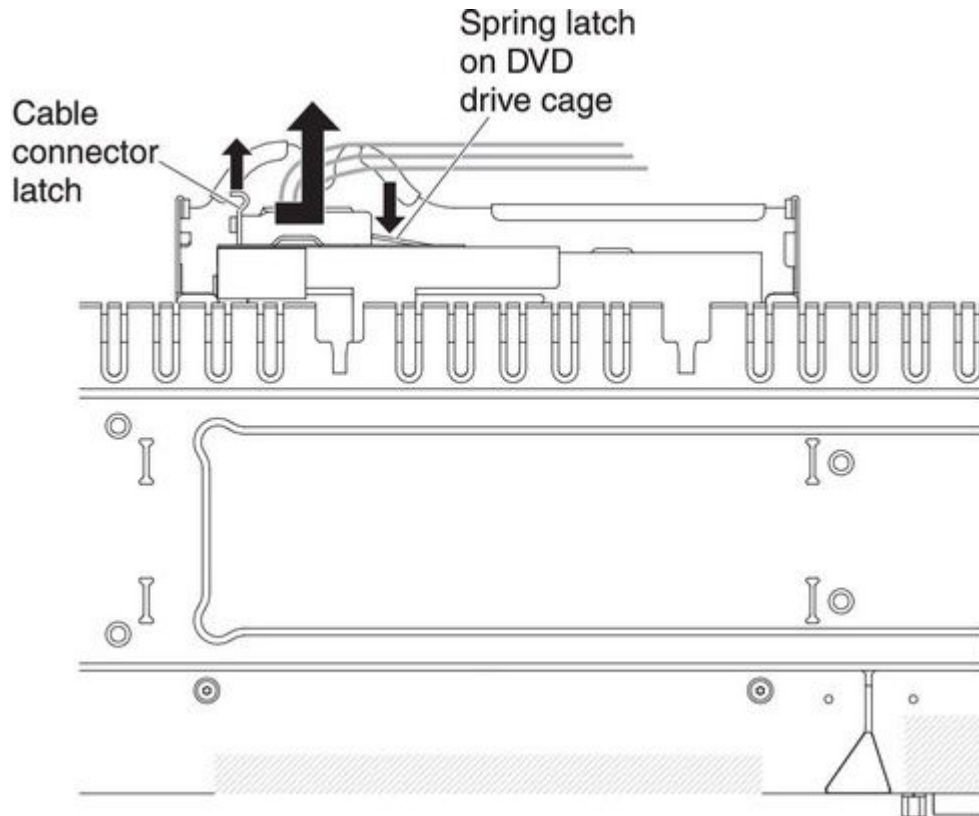


Figure 73. DVD drive cable installation

Step 13. Connect the other end of the DVD cable to the connector on the system board. The following illustration shows the cable routing for the DVD cable: The DVD cable should go on the top of the operation information panel cable (in the middle) and the Video/USB cable (on the bottom) when all three cables are installed in the server.

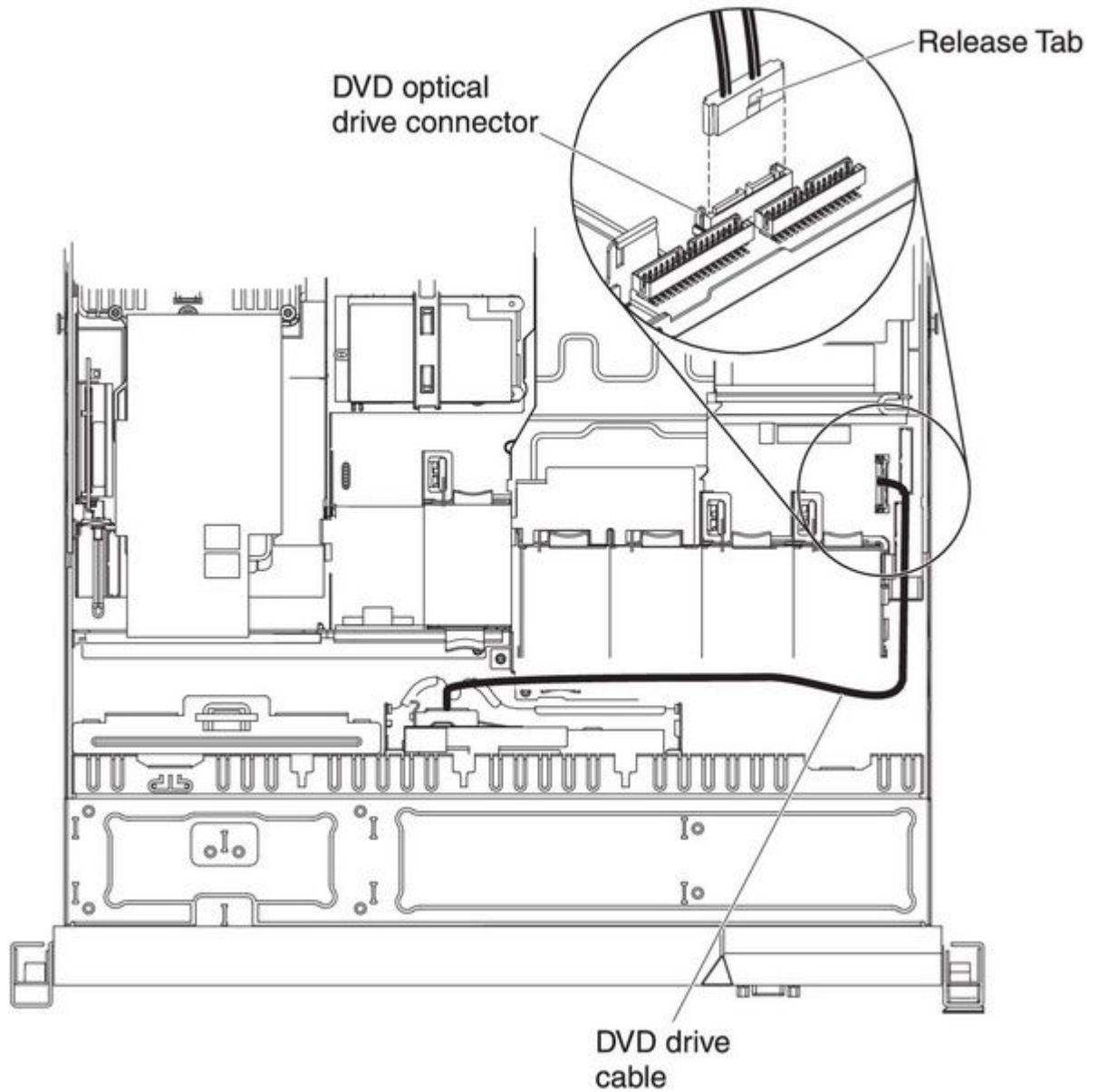


Figure 74. DVD drive cable connection

If you have other devices to install or remove, do so now. Otherwise, go to “Completing the installation” on page 112.

Installing a SAS/SATA 4 Pac HDD option

Use this information to install a SAS/SATA 4 Pac HDD option.

You can install an IBM System x3550 M3 hot-swap SAS/SATA 4 Pac HDD option to add four additional 2.5-inch hot-swap hard disk drives in the server. See <http://www.ibm.com/systems/info/x86servers/serverproven/compat/us/> for a list of supported optional devices. To order a SAS/SATA 4 Pac HDD option, contact your IBM sales representative or IBM reseller.

The SAS/SATA 4 Pac HDD option kit contains the following components:

- One 2.5-inch hard disk drive backplane (with bracket)
- Four drive bay filler panels
- One SAS signal cable
- One 4 Pac hard disk drive cage and screws
- One bezel (depending on the option you purchase)

To install a SAS/SATA 4 Pac HDD option, complete the following steps:

- Step 1. Read the safety information that begins on “Safety” on page iii and “Installation guidelines” on page 43.
- Step 2. Turn off the server and peripheral devices and disconnect the power cords.
- Step 3. Remove the cover (see “Removing the cover” on page 51).
- Step 4. Remove the hard disk drives and filler panels from the hard disk drive bays.
- Step 5. Remove the screws from the bezel.

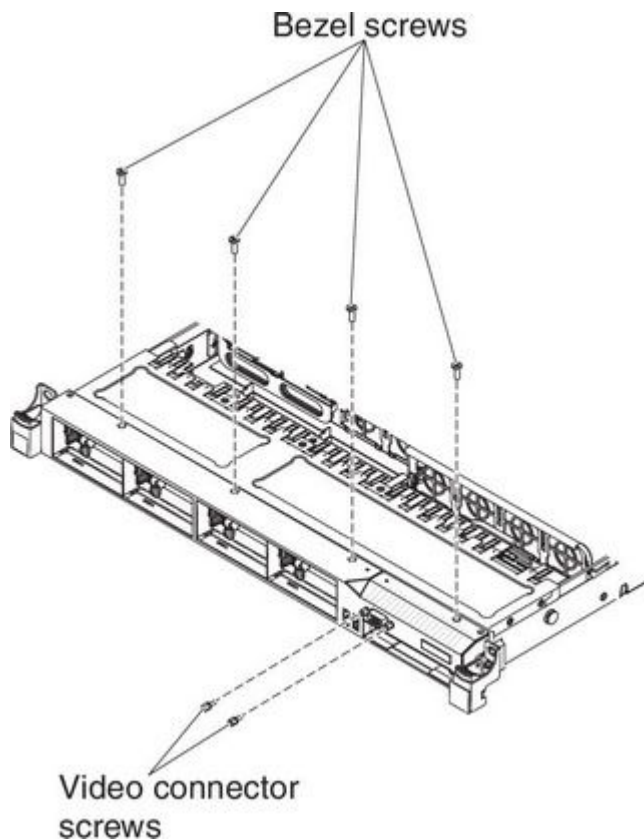


Figure 75. Screws removal

- Step 6. Remove the screws from the video connector.
- Step 7. Pull the top of the bezel out slightly; then, rotate it downward until the tabs on the bottom of the bezel disengages from the chassis and set it aside.
- Step 8. Slide the hot-swap hard disk drive cage forward into the server until the screw holes on the drive cage align with the screw holes on the chassis.

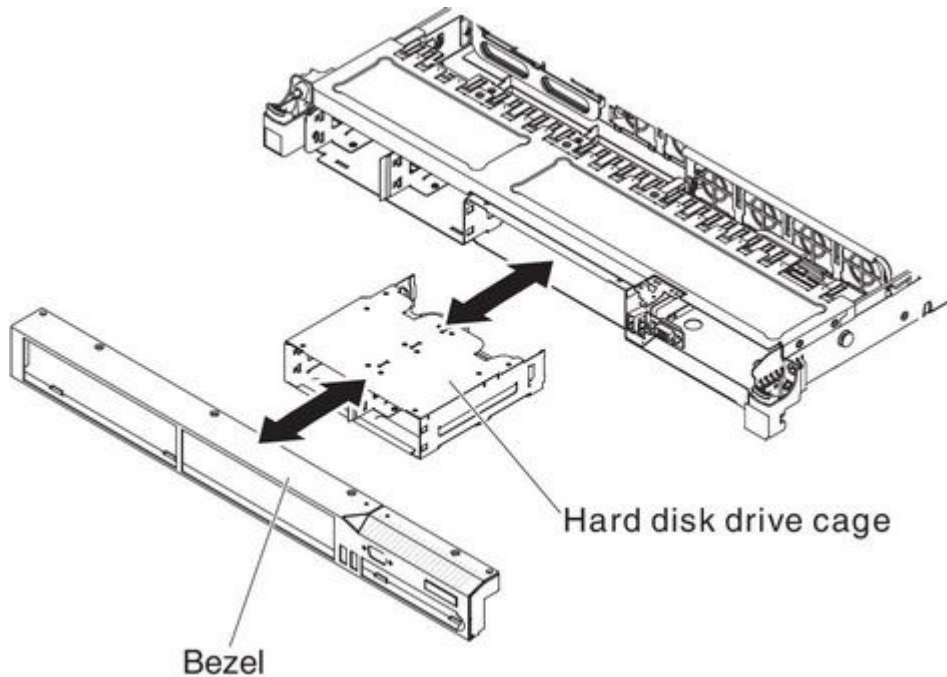


Figure 76. Hard disk drive cage installation

- Step 9. Insert the tabs on the bottom of the bezel into the holes on the chassis.
- Step 10. Reinstall the bezel screws and the video connector screws.
- Step 11. Align the sides of the hard disk drive backplane with the slots on the backplane bracket.
- Step 12. Insert the hard disk drive backplane into the slots on the backplane bracket and push the hard disk drive backplane down until the backplane is fully seated.

Note: You can reconnect the cables to the hard disk drive backplane before installing the backplane onto the brackets or you can connect the cables after you install the backplane, if that is easier for you.

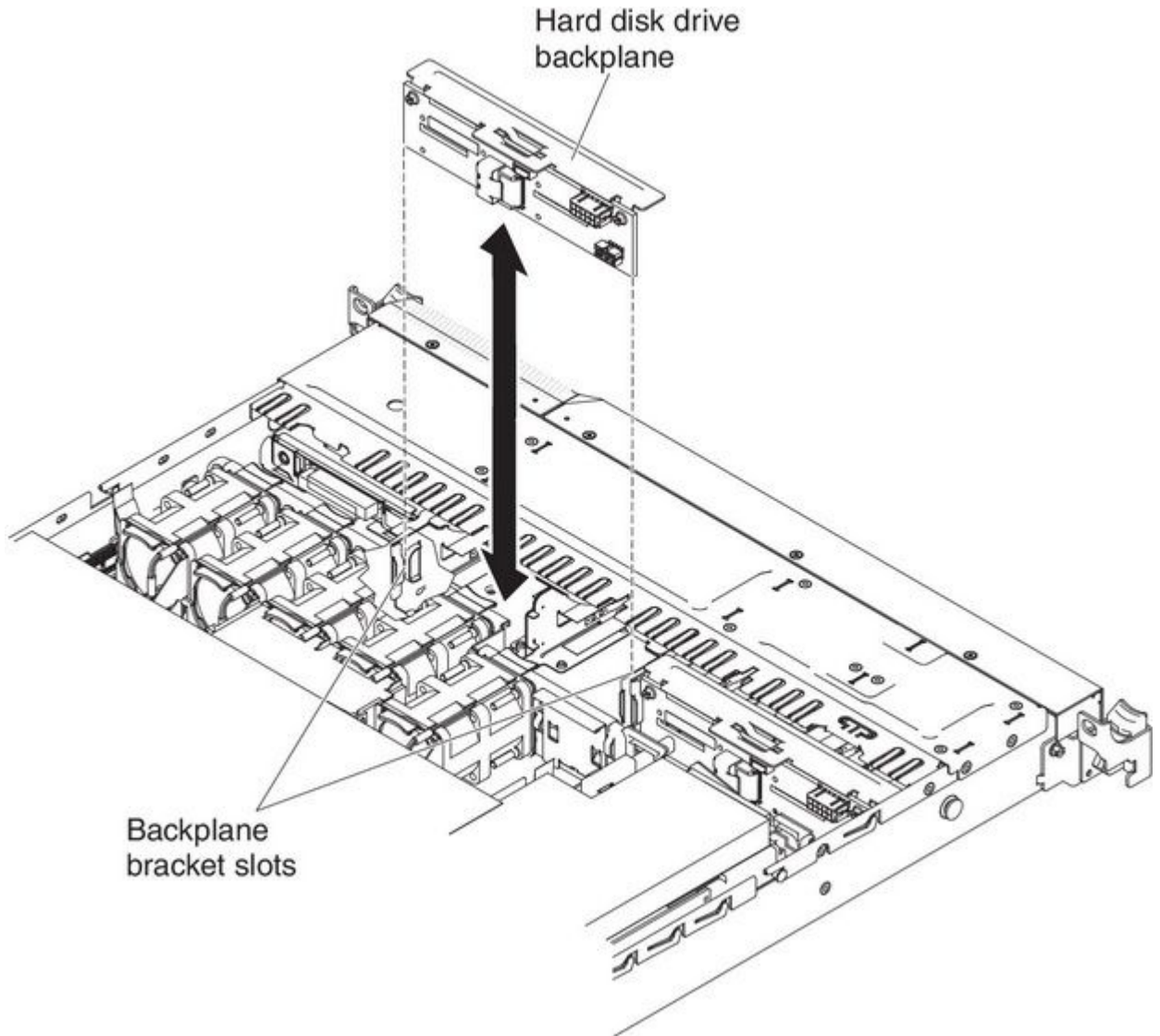


Figure 77. Hard disk drive backplane installation

Step 13. Connect the SATA power cable, the SATA signal cable, and the configuration cable to the hard disk drive backplane (see “Internal cable routing and connectors” on page 45).

Note: The configuration cable will not be shipped with this option. The configuration cable is already installed from the system board to the original backplane, this cable is two drops chained cable. Connect the end of this cable to the newly-added 4 Pac HDD backplane.

Step 14. Connect the other end of the SATA signal cable to the connector on the SAS/SATA adapter (see Step 8 “” on page 76).

Step 15. Reinstall the hard disk drives and filler panels.

If you have other devices to install or remove, do so now. Otherwise, go to “Completing the installation” on page 112.

Installing a second microprocessor and heat sink

Use this information to install a second microprocessor and heat sink.

The following notes describe the type of microprocessor that the server supports and other information that you must consider when you install a microprocessor and heat sink:

- Microprocessors are to be installed only by trained service technicians.

Important: Always use the microprocessor installation tool to remove a microprocessor. Failing to use the microprocessor installation tool may damage the microprocessor sockets on the system board. Any damage to the microprocessor sockets may require replacing the system board.

- To confirm that the server supports the adapter that you are installing, see <http://www.ibm.com/systems/info/x86servers/serverproven/compat/us/>.
 - Microprocessors are to be installed only by trained service technicians.
 - The server supports up to two IntelXeon multi-core microprocessors.
 - Do not install an Intel Xeon™ 5500 series microprocessor and an Intel Xeon™ 5600 series microprocessor in the same server.
 - Do not mix dual-core, quad-core, and six-core microprocessors in the same server.
 - The first microprocessor must always be installed in microprocessor socket 1 on the system board.
 - When one microprocessor is installed, a heat sink filler is not required for microprocessor socket 2, however, the microprocessor 2 air baffle, the sixth fan, and the DIMM air baffle must be installed to provide proper system cooling.
 - Do not remove the first microprocessor from the system board when you install the second microprocessor.
 - When you install the second microprocessor, you must also install additional memory and the sixth fan. See “Installing a memory module” on page 54 for details about the installation sequence.
 - To ensure proper server operation when you install an additional microprocessor, use microprocessors that have the same QuickPath Interconnect (QPI) link speed, integrated memory controller frequency, core frequency, power segment, internal cache size, and type.
 - Mixing microprocessors of different stepping levels within the same server model is supported.
 - When mixing microprocessors with different stepping levels within the same server model, you do not have to install the microprocessor with lowest stepping level and features in microprocessor socket 1.
 - Both microprocessor voltage regulator modules are integrated on the system board.
 - If you have to replace a microprocessor, call for service.
 - Read the documentation that comes with the microprocessor to determine whether you have to update the UEFI firmware. To download the most current level of UEFI firmware for the server, go to <http://www.ibm.com/support/fixcentral/>.
 - The microprocessor speeds are automatically set for this server; therefore, you do not have to set any microprocessor frequency-selection jumpers or switches.
 - If the thermal-grease protective cover (for example, a plastic cap or tape liner) is removed from the heat sink, do not touch the thermal grease on the bottom of the heat sink or set down the heat sink. For details, see the information about thermal grease in the *Problem and Determination Service Guide*.
- Note:** Removing the heat sink from the microprocessor destroys the even distribution of the thermal grease and requires replacing the thermal grease.
- To order an additional optional microprocessor, contact your IBM marketing representative or authorized reseller.

To install an additional microprocessor and heat sink, complete the following steps:

- Step 1. Read the safety information that begins on “Safety” on page iii and “Installation guidelines” on page 43.
- Step 2. Turn off the server and peripheral devices and disconnect the power cords and all external cables.
- Step 3. Remove the cover (see “Removing the cover” on page 51).
- Step 4. Locate microprocessor socket 2 on the system board.
- Step 5. Remove the microprocessor 2 air baffle (see “Removing the microprocessor 2 air baffle” on page 53).
- Step 6. Install the microprocessor:
 - a. Press down and out on the release lever on microprocessor socket 2 and lift up the microprocessor release lever until it stops in the fully open position.
 - b. Lift the hinged microprocessor bracket frame into an open position and remove the microprocessor dust cover, tape, or label from the surface of the microprocessor socket, if one is present. Store the dust cover in a safe place.

Attention: When you handle static-sensitive devices, take precautions to avoid damage from static electricity. For details about handling these devices, see “Handling static-sensitive devices” on page 45.

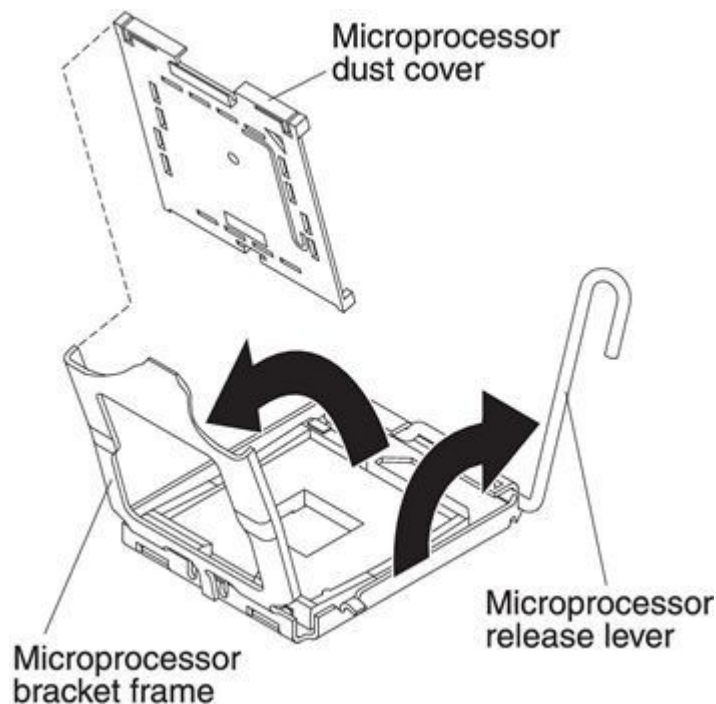


Figure 78. Dust cover removal

- c. Locate the microprocessor installation tool that comes with the new microprocessor.

Note: The microprocessor installation tool assembly comes with the microprocessor and microprocessor cover attached to the tool. The microprocessor comes protected between the tool and the microprocessor cover.

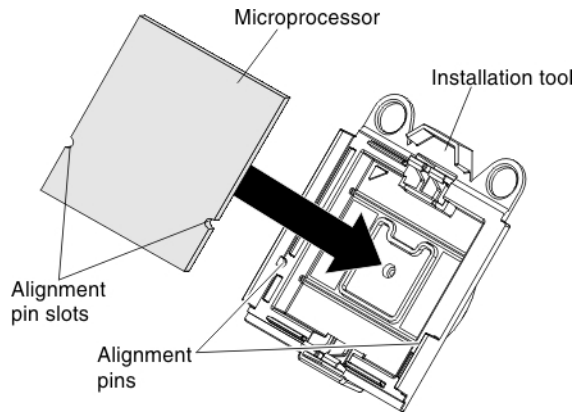


Figure 79. Microprocessor alignment

- d. Remove the microprocessor installation tool assembly from the package.

Note: Do not rotate the handle on the tool until you are ready to install the microprocessor into the microprocessor socket.

- e. Remove the cover from the bottom of the microprocessor installation tool. Press both microprocessor cover release tabs outward (in opposite directions as shown in the illustration) and remove the microprocessor installation tool with the microprocessor attached.

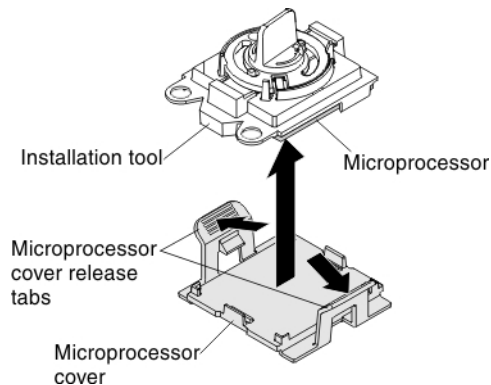


Figure 80. Microprocessor cover removal

- f. Carefully align the microprocessor installation tool over the microprocessor socket.

Attention: The microprocessor fits only one way on the socket. You must place a microprocessor straight down on the socket to avoid damaging the pins on the socket. The pins on the socket are fragile. Any damage to the pins may require replacing the system board.

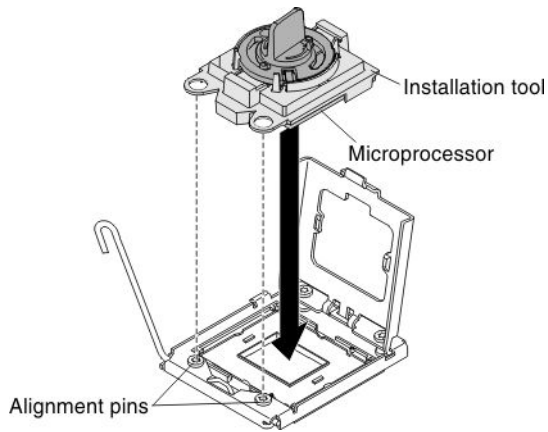


Figure 81. Microprocessor installation

- g. Twist the handle on the microprocessor tool counterclockwise to insert the microprocessor into the socket.

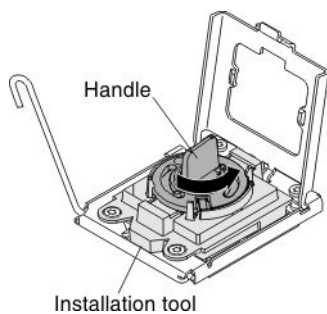


Figure 82. Installation tool handle adjustment

- h. Close the microprocessor bracket frame.
- i. Carefully close the microprocessor release lever to the closed position to secure the microprocessor in the socket.

Step 7. Install the heat sink:

- a. Remove the plastic protective cover from the bottom of the heat sink.
- b. Align the heat sink on top of the microprocessor with the thermal grease side down.

Attention: Do not touch the thermal grease on the bottom of the heat sink after you remove the plastic cover. Touching the thermal grease will contaminate it. See “Thermal grease” on page 111 for more information.

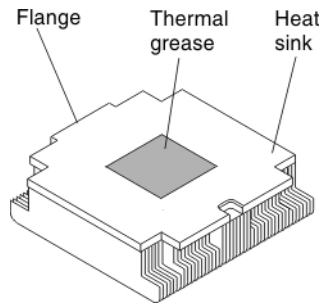


Figure 83. Thermal grease

- c. Lower the rear flange of the heat sink into the opening in the retainer bracket and press down firmly on the front of the heat sink until it is seated securely.

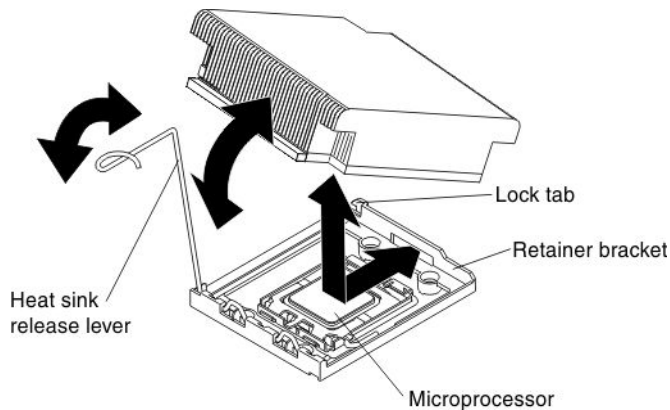


Figure 84. Heat sink installation

- d. Rotate the heat-sink release lever to the closed position and hook it underneath the lock tab.

Step 8. Reinstall the microprocessor 2 air baffle (see “Installing the microprocessor 2 air baffle” on page 113).

Step 9. Install the sixth fan (see “Installing a hot-swap fan assembly” on page 82).

If you have other devices to install or remove, do so now. Otherwise, go to “Completing the installation” on page 112.

Thermal grease

The thermal grease must be replaced whenever the heat sink has been removed from the top of the microprocessor and is going to be reused or when debris is found in the grease.

When you are installing the heat sink on the same microprocessor that is was removed from, make sure that the following requirements are met:

- The thermal grease on the heat sink and microprocessor is not contaminated.
- Additional thermal grease is not added to the existing thermal grease on the heat sink and microprocessor.

Notes:

- Read the safety information that begins on “Safety” on page iii.

- Read the “Installation guidelines” on page 43.
- Read “Handling static-sensitive devices” on page 45.

To replace damaged or contaminated thermal grease on the microprocessor and heat sink, complete the following steps:

- Step 1. Place the heat sink on a clean work surface.
- Step 2. Remove the cleaning pad from its package and unfold it completely.
- Step 3. Use the cleaning pad to wipe the thermal grease from the bottom of the heat sink.

Note: Make sure that all of the thermal grease is removed.

- Step 4. Use a clean area of the cleaning pad to wipe the thermal grease from the microprocessor; then, dispose of the cleaning pad after all of the thermal grease is removed.
- Step 5. Use the thermal-grease syringe to place 9 uniformly spaced dots of 0.02 mL each on the top of the microprocessor. The outermost dots must be within approximately 5 mm of the edge of the microprocessor; this is to ensure uniform distribution of the grease.

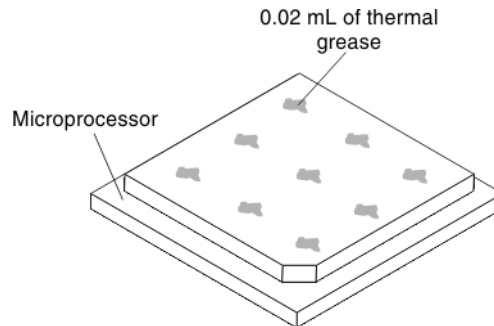


Figure 85. Thermal grease distribution

Note: If the grease is properly applied, approximately half of the grease will remain in the syringe.



Figure 86. Syringe

- Step 6. Install the heat sink onto the microprocessor.

Completing the installation

Use this information to complete the installation.

To complete the installation, complete the following steps:

- Step 1. If you removed any air baffles, reinstall them (see “Installing the microprocessor 2 air baffle” on page 113 and “Installing the DIMM air baffle” on page 114).
- Step 2. If you removed the cover, replace it (see “Installing the cover” on page 114).

- Step 3. Install the server in the rack cabinet (see the *Rack Installation Instructions* that come with the server for instructions).
- Step 4. Reconnect the cables and power cords (see “Connecting the cables” on page 115).
- Step 5. Update the server configuration (see “Updating the server configuration” on page 116).
- Step 6. Slide the server back into the rack, if necessary.
- Step 7. Start the server. Confirm that it starts correctly and recognizes the newly installed devices, and make sure that no error LEDs are lit.
- Step 8. (IBM Business Partners only) Complete the additional steps in “Instructions for IBM Business Partners” on page 33.

Installing the microprocessor 2 air baffle

Use this information to install the microprocessor 2 air baffle.

To install the air baffle, complete the following steps:

- Step 1. Read the safety information that begins on “Safety” on page iii and “Installation guidelines” on page 43.
- Step 2. Align the microprocessor 2 air baffle tab with the hole on the side of the power-supply cage; then insert the tab into the hole on the cage (make sure that the front end of the air baffle is lined up with the blue touch point tab on the left side of fan 6). Press the air baffle down until it is securely seated.

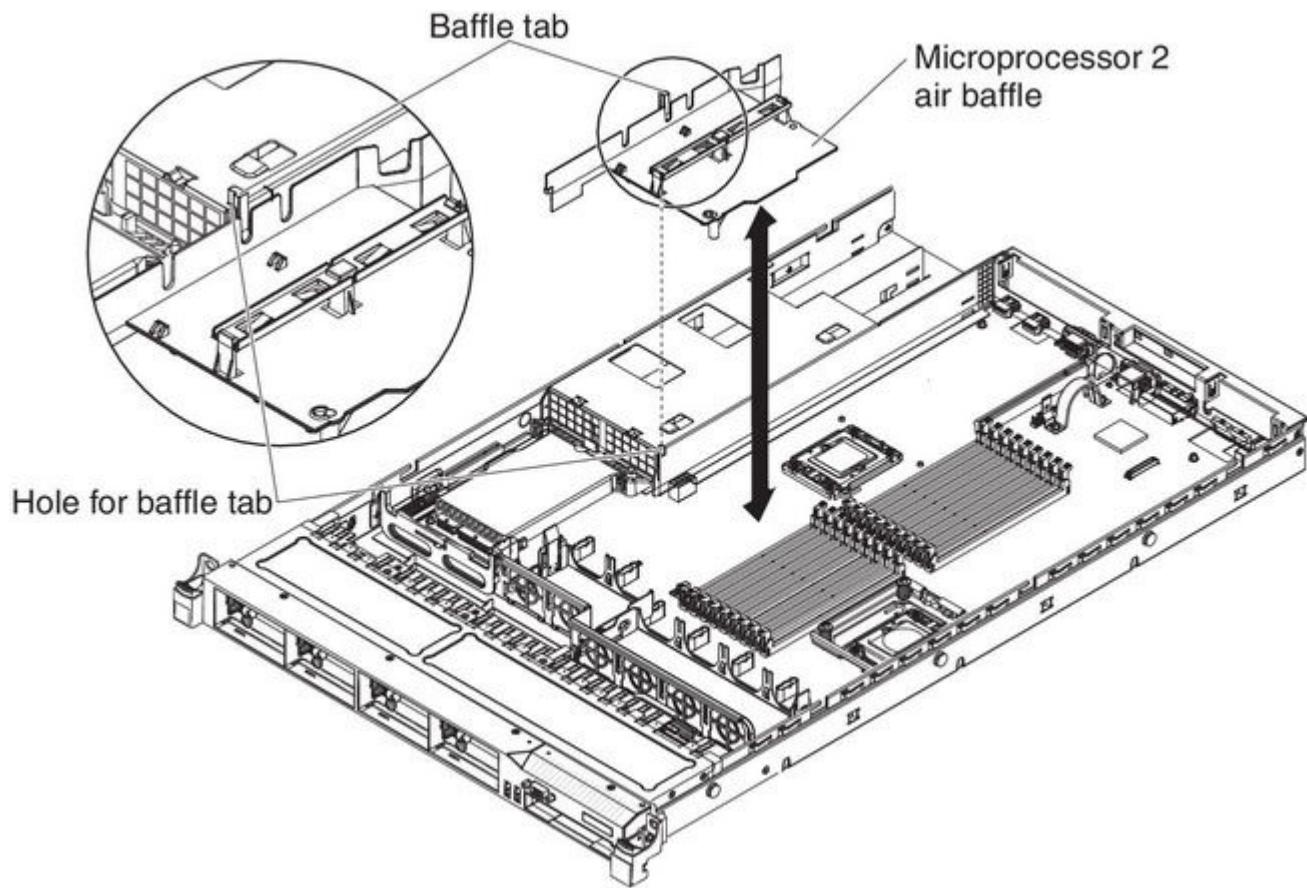


Figure 87. Microprocessor 2 air baffle installation

Installing the DIMM air baffle

Use this information to install the DIMM air baffle.

To install the DIMM air baffle, complete the following steps:

- Step 1. Align the DIMM air baffle over the DIMMs so that the baffle pin on the left side of the air baffle aligns with the pin hole next to DIMM connector 8 on the system board, and lower it into the server.

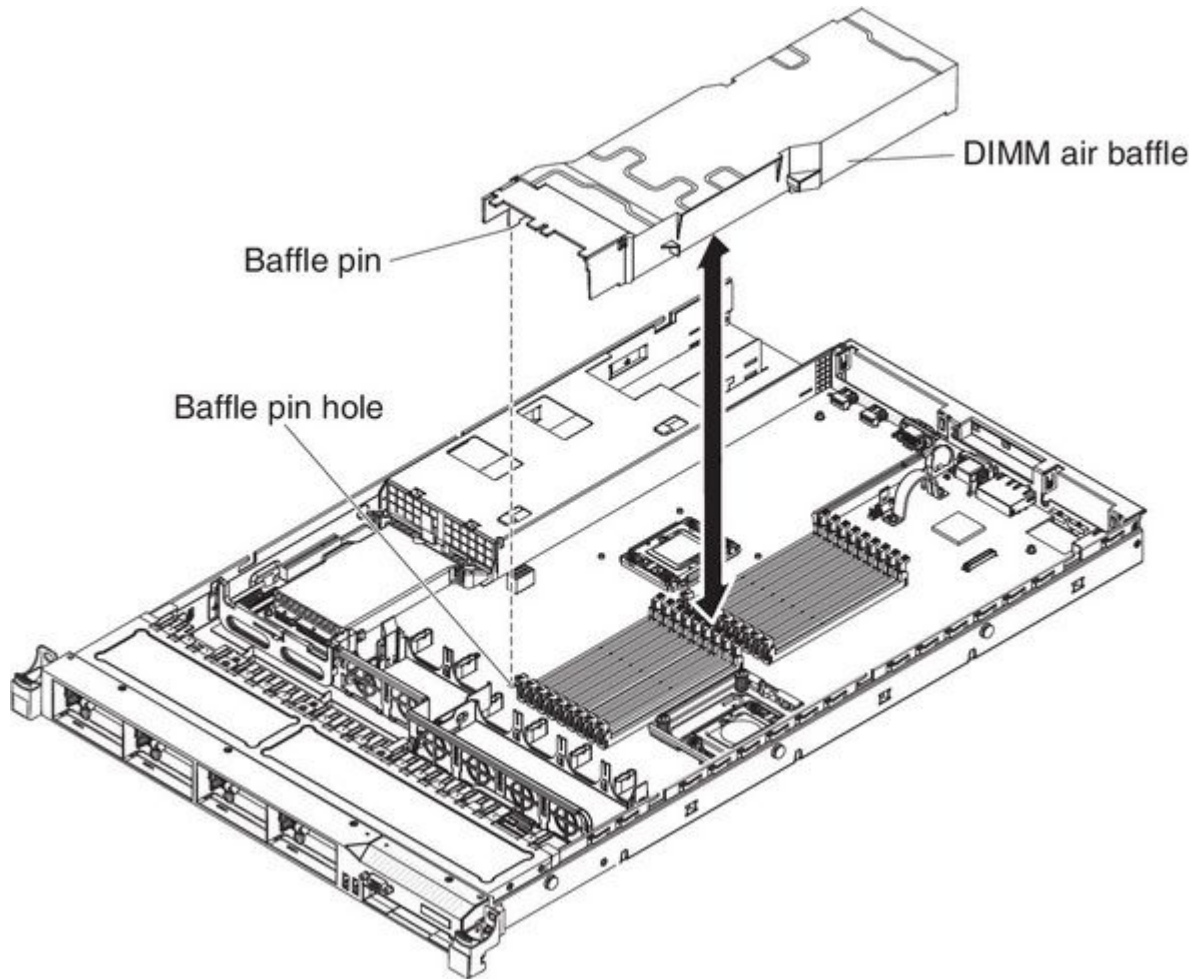


Figure 88. DIMM air baffle installation

Installing the cover

Use this information to install the cover.

To install the server cover, complete the following steps:

- Step 1. Make sure that all cables, adapters, and other components are installed and seated correctly and that you have not left loose tools or parts inside the server. Also, make sure that all internal cables are correctly routed.

Important: Before you slide the cover forward, make sure that all the tabs on both the front, rear, and side of the cover engage the chassis correctly. If all the tabs do not engage the chassis correctly, it will be very difficult to remove the cover later.

Step 2. Position the cover on top of the server.

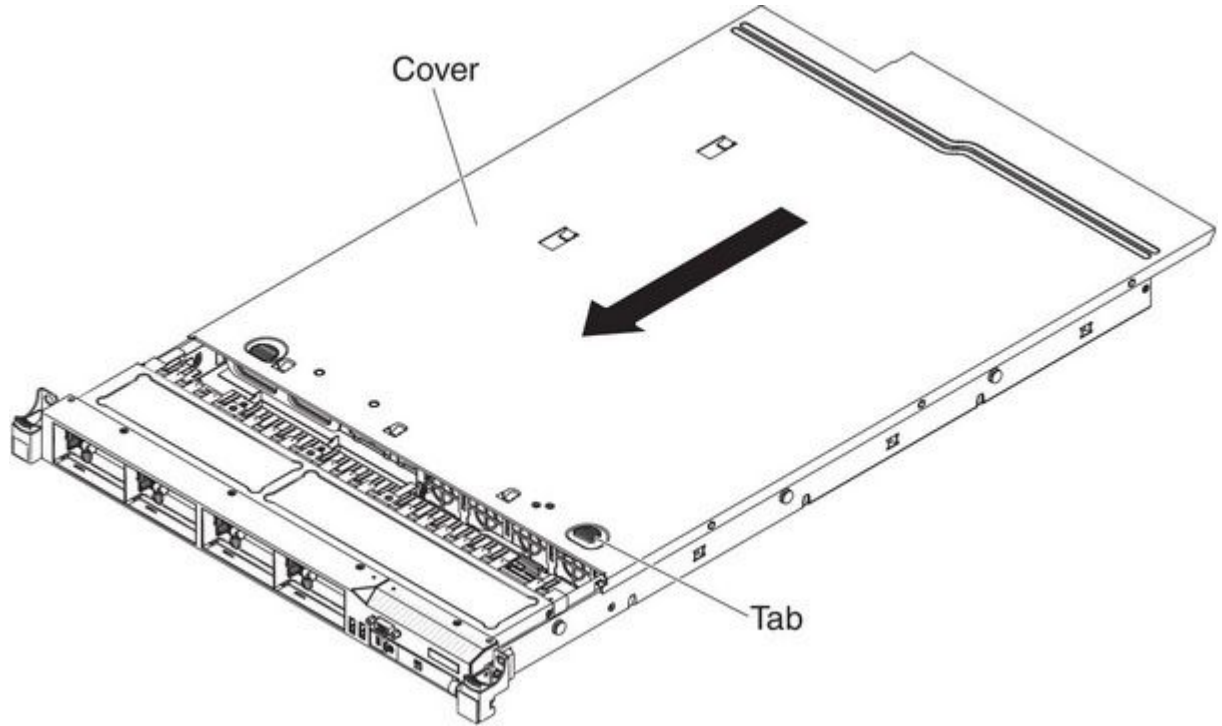


Figure 89. Cover installation

Step 3. Slide the cover toward the front of the server.

Step 4. Make sure that the cover correctly engages all the inset tabs on the server.

Step 5. Slide the server all the way into the rack until it latches.

Step 6. Reconnect the external cables and power cords.

Connecting the cables

The following illustrations show the locations of the input and output connectors of the server.

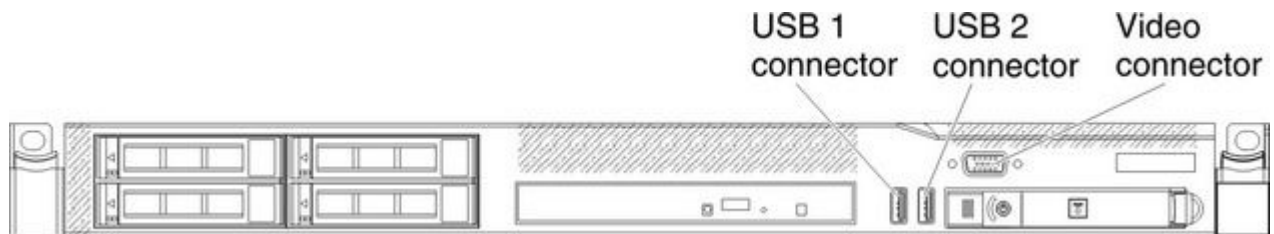


Figure 90. Front of server

The following illustration shows the locations of the input and output connectors on the rear of the server.

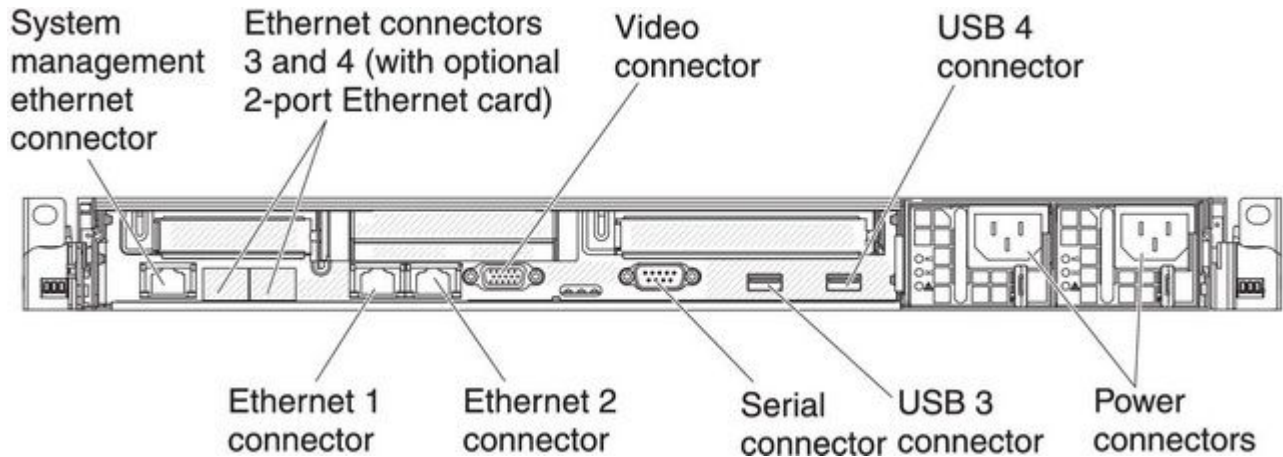


Figure 91. Rear of server

You must turn off the server before you connect or disconnect cables.

See the documentation that comes with any external devices for additional cabling instructions. It might be easier for you to route cables before you connect the devices to the server.

Updating the server configuration

When you start the server for the first time after you add or remove a device, you might receive a message that the configuration has changed. The Setup utility starts automatically so that you can save the new configuration settings.

Some optional devices have device drivers that you must install. For information about installing device drivers, see the documentation that comes with each device.

If the server has an optional RAID adapter and you have installed or removed a hard disk drive, see the documentation that comes with the RAID adapter for information about reconfiguring the disk arrays.

For information about configuring the integrated Gigabit Ethernet controller, see “Configuring the Gigabit Ethernet controller” on page 131.

Chapter 3. Configuring the server

The following configuration programs come with the server:

The *ServerGuide* program provides software-setup tools and installation tools that are designed for the server. Use this CD during the installation of the server to configure basic hardware features, such as an integrated SAS/SATA controller with RAID capabilities, and to simplify the installation of your operating system. For information about using this CD, see “Using the ServerGuide Setup and Installation CD” on page 124.

In addition to the *ServerGuide Setup and Installation CD*, you can use the following configuration programs to customize the server hardware:

- **Setup utility**The Setup utility is part of the basic input/output system firmware. Use it to change interrupt request (IRQ) settings, change the startup-device sequence, set the date and time, and set passwords. For information about using this program, see “Using the Setup utility” on page 118.
- **Boot Manager program**The Boot Manager program is part of the server firmware. Use it to override the startup sequence that is set in the Setup utility and temporarily assign a device to be first in the startup sequence. For more information about using this program, see “Using the Boot Manager program” on page 124.
- **Integrated Management Module**Use the integrated management module (IMM) for configuration, to update the firmware and sensor data record/field replaceable unit (SDR/FRU) data, and to remotely manage a network. For information about using these programs, see “Using the integrated management module” on page 126.
- **VMware ESXi embedded hypervisor**The VMware ESXi embedded hypervisor is available on the server models that come with an installed USB embedded hypervisor flash device. The USB flash device is installed in the USB connector on the SAS/SATA RAID riser-card. Hypervisor is virtualization software that enables multiple operating systems to run on a host system at the same time. For more information about using the embedded hypervisor, see “Using the embedded hypervisor” on page 129.
- **Remote presence capability and blue-screen capture**The remote presence and blue-screen capture feature are integrated into the Integrated Management Module (IMM). The virtual media key is required to enable the remote presence functions. When the optional virtual media key is installed in the server, it activates the remote presence functions. Without the virtual media key, you will not be able to access the network remotely to mount or unmount drives or images on the client system. However, you will still be able to access the host graphical user interface through the Web interface without the Virtual Media Key. You can order the optional IBM Virtual Media Key, if one did not come with your server. For more information about how to enable the remote presence function, see “Using the remote presence capability and blue-screen capture” on page 127.
- **Ethernet controller configuration**For information about configuring the Ethernet controller, see “Configuring the Gigabit Ethernet controller” on page 131.
- **IBM Advanced Settings Utility (ASU) program**Use this program as an alternative to the Setup utility for modifying UEFI settings. Use the ASU program online or out of band to modify UEFI settings from the command line without the need to restart the server to access the Setup utility. For more information about using this program, see “IBM Advanced Settings Utility program” on page 133.
- **LSI Configuration Utility program**Use the LSI Configuration Utility program to configure the integrated SAS/SATA controller with RAID capabilities and the devices that are attached to it. For information about using this program, see “Using the LSI Configuration Utility program” on page 131.

The following table lists the different server configurations and the applications that are available for configuring and managing RAID arrays.

Table 16. Server configuration and applications for configuring and managing RAID arrays

| Server configuration | RAID array configuration (before operating system is installed) | RAID array management (after operating system is installed) |
|---|--|---|
| ServeRAID-BR10i adapter (LSI 1068E) | LSI Utility (Setup utility, press Ctrl+C), ServerGuide | MegaRAID Storage Manager (for monitoring storage only) |
| ServeRAID-BR10il v2 adapter (LSI 1064E) | LSI Utility (Setup utility, press Ctrl+C), ServerGuide | MegaRAID Storage Manager (MSM), Director |
| ServeRAID-MR10i adapter (LSI 1078) | MegaRAID BIOS Configuration Utility (press Ctrl+H to start), ServerGuide | MegaRAID Storage Manager (MSM), Director |
| ServeRAID-M5014 adapter (LSI SAS2108) | MegaCLI (Command Line Interface), ServerGuide | MegaRAID Storage Manager (MSM), Director |
| ServeRAID-M5015 adapter (LSI SAS2108) | MegaCLI (Command Line Interface), ServerGuide | MegaRAID Storage Manager (MSM), Director |
| ServeRAID-M1015 adapter (LSI SAS2008) | MegaCLI (Command Line Interface), ServerGuide | MegaRAID Storage Manager (MSM), Director |

Using the Setup utility

Use these instructions to start the Setup utility.

Use the Unified Extensible Firmware Interface (UEFI), formerly BIOS, Setup utility to perform the following tasks:

- View configuration information
- View and change assignments for devices and I/O ports
- Set the date and time
- Set the startup characteristics of the server and the order of startup devices
- Set and change settings for advanced hardware features
- View, set, and change settings for power-management features
- View and clear error logs
- Change interrupt request (IRQ) settings
- Resolve configuration conflicts

Starting the Setup utility

Use this information to start the Setup utility.

To start the Setup utility, complete the following steps:

Step 1. Turn on the server.

Note: Approximately 20 to 40 seconds after the server is connected to power, the power-control button becomes active.

Step 2. When the prompt <F1> Setup is displayed, press F1. If you have set an administrator password, you must type the administrator password to access the full Setup utility menu. If you do not type the administrator password, a limited Setup utility menu is available.

Step 3. Select settings to view or change.

Setup utility menu choices

Use the Setup utility main menu to view and configure server configuration data and settings.

The following choices are on the Setup utility main menu for the UEFI. Depending on the version of the firmware, some menu choices might differ slightly from these descriptions.

- **System Information**

Select this choice to view information about the server. When you make changes through other choices in the Setup utility, some of those changes are reflected in the system information; you cannot change settings directly in the system information. This choice is on the full Setup utility menu only.

- **System Summary:** Select this choice to view configuration information, including the ID, speed, and cache size of the microprocessors, machine type and model of the server, the serial number, the system UUID, and the amount of installed memory. When you make configuration changes through other options in the Setup utility, the changes are reflected in the system summary; you cannot change settings directly in the system summary.
- **Product Data:** Select this choice to view the system-board identifier, the revision level or issue date of the firmware, the integrated management module and diagnostics code, and the version and date.

This choice is on the full Setup utility menu only.

- **System Settings**

Select this choice to view or change the server component settings.

- **Processors:** Select this choice to view or change the processor settings.
- **Memory:** Select this choice to view or change the memory settings.
- **Devices and I/O Ports:** Select this choice to view or change assignments for devices and input/output (I/O) ports. You can configure the serial ports, configure remote console redirection, enable or disable integrated Ethernet controllers, the SAS/SATA controller, SATA optical drive channels, PCI slots, and video controller. If you disable a device, it cannot be configured, and the operating system will not be able to detect it (this is equivalent to disconnecting the device).
- **Power:** Select this choice to view or change power capping to control consumption, processors, and performance states.
- **Operating Modes:** Select this choice to view or change the operating profile (performance and power utilization).
- **Legacy Support:** Select this choice to view or set legacy support.
 - **Force Legacy Video on Boot:** Select this choice to force INT video support, if the operating system does not support UEFI video output standards.
 - **Rehook INT 19h:** Select this choice to enable or disable devices from taking control of the boot process. The default is **Disable**.
 - **Legacy Thunk Support:** Select this choice to enable or disable UEFI to interact with PCI mass storage devices that are non-UEFI compliant.
- **Integrated Management Module:** Select this choice to view or change the settings for the integrated management module.
 - **POST Watchdog Timer:** Select this choice to view or enable the POST watchdog timer.
 - **POST Watchdog Timer Value:** Select this choice to view or set the POST loader watchdog timer value.
 - **Reboot System on NMI:** Enable or disable restarting the system whenever a nonmaskable interrupt (NMI) occurs. **Disabled** is the default.
 - **Commands on USB Interface Preference:** Select this choice to enable or disable the Ethernet over USB interface on IMM.

- **Network Configuration:** Select this choice to view the system management network interface port, the IMM MAC address, the current IMM IP address, and host name; define the static IMM IP address, subnet mask, and gateway address, specify whether to use the static IP address or have DHCP assign the IMM IP address, save the network changes, and reset the IMM.
- **Reset IMM to Defaults:** Select this choice to view or reset IMM to the default settings.
- **Reset IMM:** Select this choice to reset IMM.
- **System Security:** Select this choice to view or configure Trusted Platform Module (TPM) support.
- **Adapters and UEFI Drivers:** Select this choice to view information about the UEFI 1.10 and UEFI 2.0 compliant adapters and drivers installed in the server.
- **Video**Select this choice to view or configure the video device options.

Note: The configuration forms for UEFI 2.1 and greater compliant add-on video devices might be located here.

- **Date and Time**

Select this choice to set the date and time in the server, in 24-hour format (*hour:minute:second*).

This choice is on the full Setup utility menu only.

- **Start Options**

Select this choice to view or change the start options, including the startup sequence, keyboard NumLock state, PXE boot option, and PCI device boot priority. Changes in the startup options take effect when you start the server.

The startup sequence specifies the order in which the server checks devices to find a boot record. The server starts from the first boot record that it finds. If the server has Wake on LAN hardware and software and the operating system supports Wake on LAN functions, you can specify a startup sequence for the Wake on LAN functions. For example, you can define a startup sequence that checks for a disc in the CD-RW/DVD drive, then checks the hard disk drive, and then checks a network adapter.

This choice is on the full Setup utility menu only.

- **Boot Manager**

Select this choice to view, add, delete, or change the device boot priority, boot from a file, select a one-time boot, or reset the boot order to the default setting.

- **System Event Logs**

Select this choice to enter the System Event Manager, where you can view the error messages in the system event logs. You can use the arrow keys to move between pages in the error log.

The system event logs contain all event and error messages that have been generated during POST, by the systems-management interface handler, and by the system service processor. Run the diagnostic programs to get more information about error codes that occur.

Important: If the system-error LED on the front of the server is lit but there are no other error indications, clear the IMM system-event log. Also, after you complete a repair or correct an error, clear the IMM system-event log to turn off the system-error LED on the front of the server.

- **POST Event Viewer:** Select this choice to enter the POST event viewer to view the POST error messages.
- **System Event Log:** Select this choice to view the IMM system event log.
- **Clear System Event Log:** Select this choice to clear the IMM system event log.

- **User Security**

Select this choice to set, change, or clear passwords. See “Passwords” on page 121 for more information.

This choice is on the full and limited Setup utility menu.

- **Set Power-on Password:** Select this choice to set or change a power-on password. For more information, see “Power-on password” on page 121 for more information.
- **Clear Power-on Password:** Select this choice to clear a power-on password. For more information, see “Power-on password” on page 121 for more information.
- **Set Administrator Password:** Select this choice to set or change an administrator password. An administrator password is intended to be used by a system administrator; it limits access to the full Setup utility menu. If an administrator password is set, the full Setup utility menu is available only if you type the administrator password at the password prompt. For more information, see “Administrator password” on page 124.
- **Clear Administrator Password:** Select this choice to clear an administrator password. For more information, see “Administrator password” on page 124.
- **Save Settings**
Select this choice to save the changes that you have made in the settings.
- **Restore Settings**
Select this choice to cancel the changes that you have made in the settings and restore the previous settings.
- **Load Default Settings**
Select this choice to cancel the changes that you have made in the settings and restore the factory settings.
- **Exit Setup**
Select this choice to exit from the Setup utility. If you have not saved the changes that you have made in the settings, you are asked whether you want to save the changes or exit without saving them.

Passwords

From the **User Security** menu choice, you can set, change, and delete a power-on password and an administrator password.

The **User Security** choice is on the full Setup utility menu only.

If you set only a power-on password, you must type the power-on password to complete the system startup and to have access to the full Setup utility menu.

An administrator password is intended to be used by a system administrator; it limits access to the full Setup utility menu. If you set only an administrator password, you do not have to type a password to complete the system startup, but you must type the administrator password to access the Setup utility menu.

If you set a power-on password for a user and an administrator password for a system administrator, you must type the power-on password to complete the system startup. A system administrator who types the administrator password has access to the full Setup utility menu; the system administrator can give the user authority to set, change, and delete the power-on password. A user who types the power-on password has access to only the limited Setup utility menu; the user can set, change, and delete the power-on password, if the system administrator has given the user that authority.

Power-on password

If a power-on password is set, when you turn on the server, you must type the power-on password to complete the system startup. You can use any combination of 6 - 20 printable ASCII characters for the password.

When a power-on password is set, you can enable the Unattended Start mode, in which the keyboard and mouse remain locked but the operating system can start. You can unlock the keyboard and mouse by typing the power-on password.

If you forget the power-on password, you can regain access to the server in any of the following ways:

- If an administrator password is set, type the administrator password at the password prompt. Start the Setup utility and reset the power-on password.
- Remove the battery from the server and then reinstall it.
- Change the position of the power-on password switch (enable switch 1 of the system board switch block (SW4) to bypass the power-on password check (see Table 8 “System board SW4 switch block definition” on page 39 for more information).

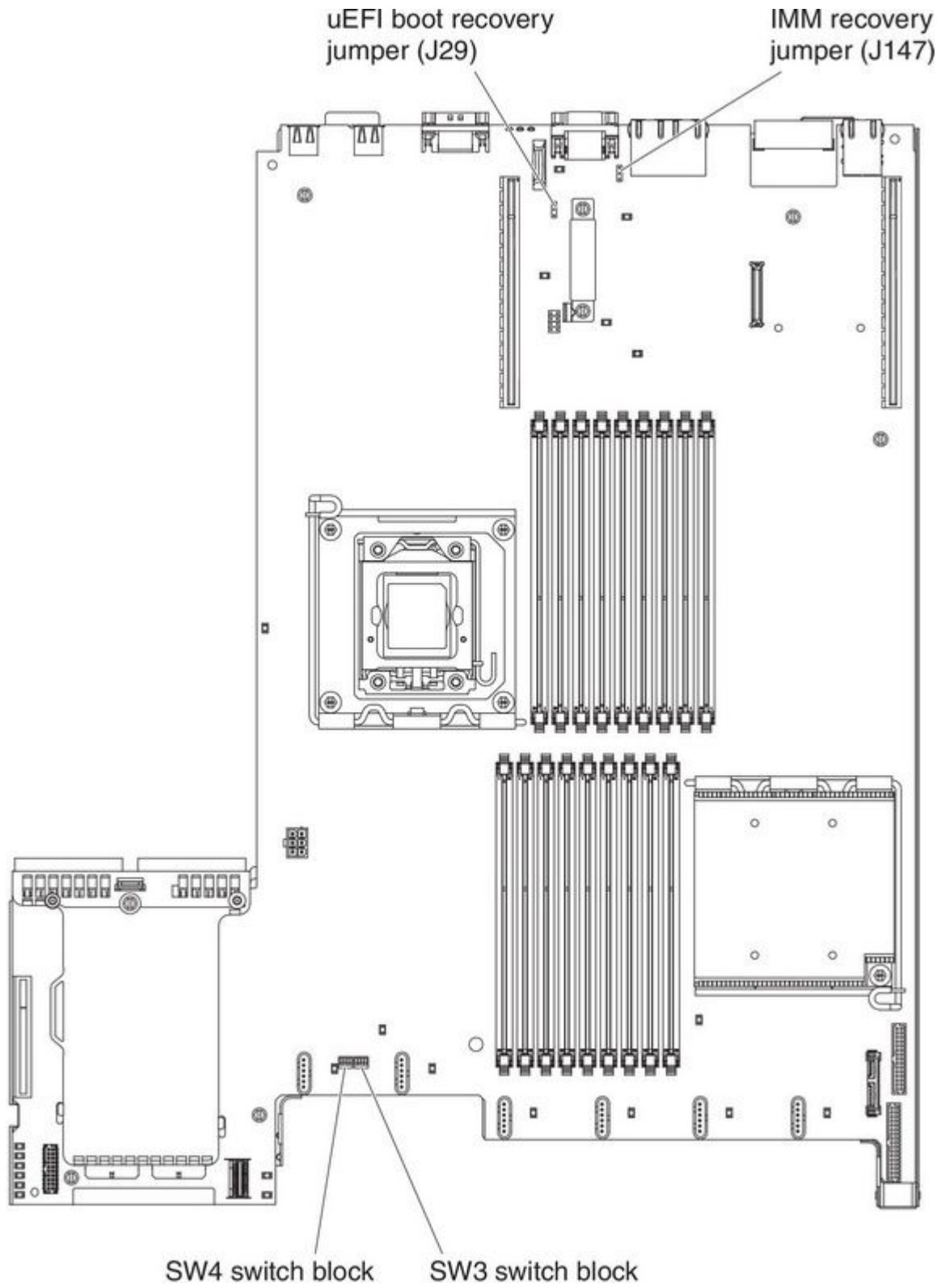


Figure 92. System-board switches and jumpers

Attention: Before you change any switch settings or move any jumpers, turn off the server; then, disconnect all power cords and external cables. See the safety information that begins “Safety” on page iii. Do not change settings or move jumpers on any system-board switch or jumper blocks that are not shown in this document.

The default for all of the switches on switch block (SW4) is Off.

While the server is turned off, move switch 1 of the switch block (SW4) to the On position to enable the power-on password override. You can then start the Setup utility and reset the power-on password. You do not have to return the switch to the previous position.

The power-on password override switch does not affect the administrator password.

Administrator password

If an administrator password is set, you must type the administrator password for access to the full Setup utility menu. You can use any combination of 6 to 20 printable ASCII characters for the password.

Attention: If you set an administrator password and then forget it, there is no way to change, override, or remove it. You must replace the system board.

Using the Boot Manager program

The Boot Manager program is a built-in, menu-driven configuration utility program that you can use to temporarily redefine the first startup device without changing settings in the Setup utility.

To use the Boot Manager program, complete the following steps:

- Step 1. Turn off the server.
- Step 2. Restart the server.
- Step 3. When the prompt <F12> Select Boot Device is displayed, press F12. If a bootable USB mass storage device is installed, a submenu item (**USB Key/Disk**) is displayed.
- Step 4. Use the Up arrow and Down arrow keys to select an item from the **Boot Selection Menu** and press Enter.

The next time the server starts, it returns to the startup sequence that is set in the Setup utility.

Starting the backup server firmware

The system board contains a backup copy area for the server firmware. This is a secondary copy of the server firmware that you update only during the process of updating the server firmware. If the primary copy of the server firmware becomes damaged, use this backup copy.

The system board contains a backup copy area for the server firmware (formerly BIOS firmware). This is a secondary copy of the server firmware that you update only during the process of updating the server firmware. If the primary copy of the server firmware becomes damaged, use this backup copy.

To force the server to start from the backup copy of the server firmware, turn off the server; then, place the J29 jumper in the backup position (pins 2 and 3).

Use the backup copy of the server firmware until the primary copy is restored. After the primary copy is restored, turn off the server; then, move the J29 jumper back to the primary position (pins 1 and 2).

Using the ServerGuide Setup and Installation CD

Use this information as an overview for using the ServerGuide Setup and Installation CD.

The *ServerGuide Setup and Installation* CD provides software setup tools and installation tools that are designed for your server. The ServerGuide program detects the server model and hardware options that are installed and uses that information during setup to configure the hardware. The ServerGuide program simplifies operating-system installations by providing updated device drivers and, in some cases, installing them automatically. To download the CD, go to <http://www.ibm.com/support/entry/portal/docdisplay?Indocid=SERV-GUIDE> and click **IBM Service and Support Site**.

The ServerGuide program has the following features:

- An easy-to-use interface
- Diskette-free setup, and configuration programs that are based on detected hardware
- ServeRAID Manager program, which configures your ServeRAID adapter
- Device drivers that are provided for your server model and detected hardware
- Operating-system partition size and file-system type that are selectable during setup

Note: Changes are made periodically to the IBM Web site. The actual procedure might vary slightly from what is described in this document.

ServerGuide features

This information provides an overview of the ServerGuide features.

Features and functions can vary slightly with different versions of the ServerGuide program. To learn more about the version that you have, start the *ServerGuide Setup and Installation* CD and view the online overview. Not all features are supported on all server models.

The ServerGuide program requires a supported IBM server with an enabled startable (bootable) CD drive. In addition to the *ServerGuide Setup and Installation* CD, you must have your operating-system CD to install the operating system.

The ServerGuide program performs the following tasks:

- Sets system date and time
- Detects the RAID adapter or controller and runs the SAS/SATA RAID configuration program
- Checks the microcode (firmware) levels of a ServeRAID adapter and determines whether a later level is available from the CD
- Detects installed hardware options and provides updated device drivers for most adapters and devices
- Provides diskette-free installation for supported Windows operating systems
- Includes an online readme file with links to tips for your hardware and operating-system installation

Setup and configuration overview

ServerGuide setup and configuration overview

When you use the *ServerGuide Setup and Installation* CD, you do not need setup diskettes. You can use the CD to configure any supported IBM server model. The setup program provides a list of tasks that are required to set up your server model. On a server with a ServeRAID adapter or SAS/SATA controller with RAID capabilities, you can run the SAS RAID configuration program to create logical drives.

Note: Features and functions can vary slightly with different versions of the ServerGuide program.

When you start the *ServerGuide Setup and Installation* CD, the program prompts you to complete the following tasks:

- Select your language.

- Select your keyboard layout and country.
- View the overview to learn about ServerGuide features.
- View the readme file to review installation tips for your operating system and adapter.
- Start the operating-system installation. You will need your operating-system CD.

Important: Before you install a legacy operating system (such as VMware) on a server with an LSI SAS controller, you must first complete the following steps:

1. Update the device driver for the LSI SAS controller to the latest level.
2. In the Setup utility, set **Legacy Only** as the first option in the boot sequence in the **Boot Manager** menu.
3. Using the LSI Configuration Utility program, select a boot drive.

For detailed information and instructions, go to <http://www.ibm.com/support/entry/portal/docdisplay?Indocid=MIGR-5083225>.

Typical operating-system installation

ServerGuide typical operating-system installation

The ServerGuide program can reduce the time it takes to install an operating system. It provides the device drivers that are required for your hardware and for the operating system that you are installing. This section describes a typical ServerGuide operating-system installation.

Note: Features and functions can vary slightly with different versions of the ServerGuide program.

1. After you have completed the setup process, the operating-system installation program starts. (You will need your operating-system CD to complete the installation.)
2. The ServerGuide program stores information about the server model, service processor, hard disk drive controllers, and network adapters. Then, the program checks the CD for newer device drivers. This information is stored and then passed to the operating-system installation program.
3. The ServerGuide program presents operating-system partition options that are based on your operating-system selection and the installed hard disk drives.
4. The ServerGuide program prompts you to insert your operating-system CD and restart the server. At this point, the installation program for the operating system takes control to complete the installation.

Installing your operating system without using ServerGuide

Use this information to install the operating system on the server without using ServerGuide.

If you have already configured the server hardware and you are not using the ServerGuide program to install your operating system, go to <http://www.ibm.com/supportportal/> to download the latest operating-system installation instructions from the IBM website.

Using the integrated management module

The integrated management module (IMM) is a second generation of the functions that were formerly provided by the baseboard management controller hardware. It combines service processor functions, video controller, and remote presence function in a single chip.

The IMM supports the following basic system management features:

- Environmental monitor with fan speed control for temperature, voltages, fan failure, and power supply failure.
- Light path diagnostics LEDs indicators to report errors that occur with fans, power supplies, microprocessor, hard disk drives, and system errors.

- DIMM error assistance. The Unified Extensible Firmware Interface (UEFI) disables a failing DIMM that is detected during POST, and the IMM lights the associated system error LED and the failing DIMM error LED.
- System event log (SEL).
- ROM-based IMM firmware flash updates.
- Auto Boot Failure Recovery (ABR).
- A virtual media key, which enables remote presence support (remote video, remote keyboard/mouse, and remote storage).
- Automatic microprocessor disable on failure and restart in a two-microprocessor configuration when one microprocessor signals an internal error.
- Nonmaskable interrupt (NMI) detection and reporting.
- Automatic Server Restart (ASR) when POST is not complete or the operating system hangs and the operating system watchdog timer times-out. The IMM might be configured to watch for the operating system watchdog timer and reboot the system after a timeout, if the ASR feature is enabled. Otherwise, the IMM allows the administrator to generate a nonmaskable interrupt (NMI) by pressing an NMI button on the light path diagnostics panel for an operating-system memory dump. ASR is supported by IPMI.
- Intelligent Platform Management Interface (IPMI) Specification V2.0 and Intelligent Platform Management Bus (IPMB) support.
- Invalid system configuration (CNFG) LED support.
- Serial port redirection over telnet or ssh.
- Serial over LAN (SOL).
- Active Energy Manager
- Query power-supply input power.
- PECI 2 support.
- Power/reset control (power-on, hard and soft shutdown, hard and soft reset, schedule power control).
- Alerts (in-band and out-of-band alerting, PET traps - IPMI style, SNMP, e-mail).
- Operating-system failure blue screen capture.
- Command-line interface.
- Configuration save and restore.
- PCI configuration data.
- Boot sequence manipulation.

The IMM also provides the following remote server management capabilities through the OSA SMBridge management utility program:

- **Command-line interface (IPMI Shell)**The command-line interface provides direct access to server management functions through the IPMI 2.0 protocol. Use the command-line interface to issue commands to control the server power, view system information, and identify the server. You can also save one or more commands as a text file and run the file as a script.
- **Serial over LAN**Establish a Serial over LAN (SOL) connection to manage servers from a remote location. You can remotely view and change the UEFI settings, restart the server, identify the server, and perform other management functions. Any standard Telnet client application can access the SOL connection.

Using the remote presence capability and blue-screen capture

The remote presence and blue-screen capture features are integrated functions of the integrated management module (IMM).

When the optional IBM Virtual Media Key is installed in the server, it activates the remote presence functions. The virtual media key is required to enable the integrated remote presence and blue-screen capture features. Without the virtual media key, you will not be able to access the network remotely to mount or unmount drives or images on the client system. However, you can still access the Web interface without the key.

After the virtual media key is installed in the server, it is authenticated to determine whether it is valid. If the key is not valid, you receive a message from the Web interface (when you attempt to start the remote presence feature) indicating that the hardware key is required to use the remote presence feature.

The virtual media key has an LED. When this LED is lit and green, it indicates that the key is installed and functioning correctly. When the LED is not lit, it indicates that the key might not be installed correctly.

The remote presence feature provides the following functions:

- Remotely viewing video with graphics resolutions up to 1600 x 1200 at 75 Hz, regardless of the system state
- Remotely accessing the server, using the keyboard and mouse from a remote client
- Mapping the CD or DVD drive, diskette drive, and USB flash drive on a remote client, and mapping ISO and diskette image files as virtual drives that are available for use by the server
- Uploading a diskette image to the IMM memory and mapping it to the server as a virtual drive

The blue-screen capture feature captures the video display contents before the IMM restarts the server when the IMM detects an operating-system hang condition. A system administrator can use the blue-screen capture to assist in determining the cause of the hang condition.

Enabling the remote presence feature

Use this information to enable the remote presence feature.

To enable the remote presence feature, complete the following steps:

Step 1. Install the virtual media key into the dedicated slot on the system board (see “System-board optional device connectors” on page 42).

Step 2. Turn on the server.

Note: Approximately 20 to 40 seconds after the server is connected to power, the power-control button becomes active.

Obtaining the IP address for the IMM

To access the web interface, you need the IP address for IMM. You can obtain the IMM IP address through the Setup utility. The server comes with a default IP address for the IMM of 192.168.70.125.

To locate the IP address, complete the following steps:

Step 1. Turn on the server.

Note: Approximately 20 to 40 seconds after the server is connected to power, the power-control button becomes active.

Step 2. When the prompt <F1> Setup is displayed, press F1. (This prompt is displayed on the screen for only a few seconds. You must press F1 quickly.) If you have set both a power-on password and an administrator password, you must type the administrator password to access the full Setup utility menu.

Step 3. From the Setup utility main menu, select **System Settings**.

- Step 4. On the next screen, select **Integrated Management Module**.
- Step 5. On the next screen, select **Network Configuration**.
- Step 6. Find the IP address and write it down.
- Step 7. Exit from the Setup utility.

Logging on to the Web interface

Use this information to log on to the web interface.

To log onto the Web interface to use the remote presence functions, complete the following steps:

- Step 1. Open a Web browser on a computer that connects to the server and in the **Address** or **URL** field, type the IP address or host name of the IMM to which you want to connect.

Note: The IMM defaults to DHCP. If a DHCP host is not available, the IMM assigns a static IP address of 192.168.70.125.
- Step 2. On the Login page, type the user name and password. If you are using the IMM for the first time, you can obtain the user name and password from your system administrator. All login attempts are documented in the event log.

Note: The IMM is set initially with a user name of USERID and password of PASSWORD (password with a zero, not the letter O). You have read/write access. You must change the default password the first time you log on.
- Step 3. On the Welcome page, type a timeout value (in minutes) in the field that is provided. The IMM will log you off of the Web interface if your browser is inactive for the number of minutes that you entered for the timeout value.
- Step 4. Click **Continue** to start the session. The System Health page provides a quick view of the system status.

Using the embedded hypervisor

The VMware ESXi embedded hypervisor is available on server models that come with an installed USB embedded hypervisor flash device.

The USB flash device comes installed in the USB connector on the SAS/SATA RAID riser card (see the following illustration). Hypervisor is virtualization software that enables multiple operating systems to run on a host system at the same time. The USB flash device is required to activate the hypervisor functions.

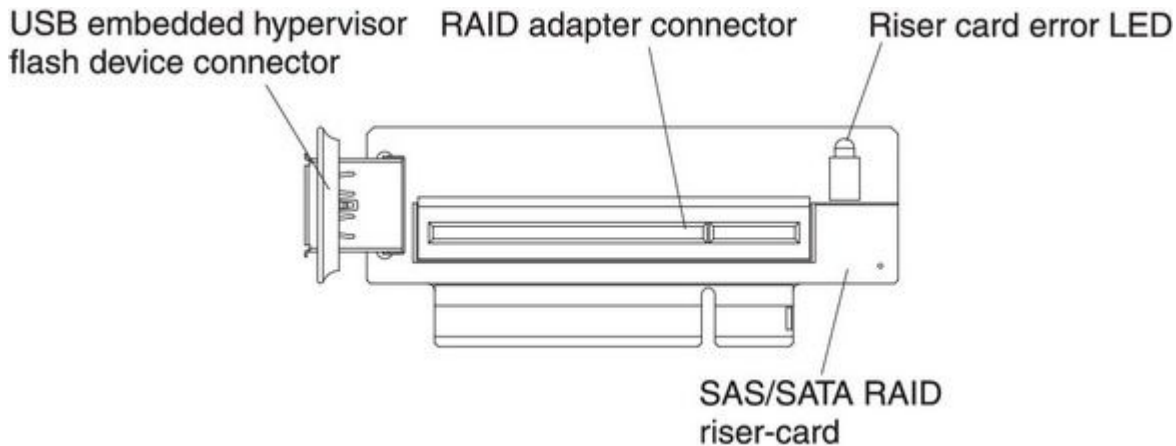


Figure 93. USB embedded hypervisor flash device connector

To start using the embedded hypervisor functions, you must add the USB flash device to the boot order in the Setup utility.

To add the USB flash device to the boot order, complete the following steps:

Step 1. Turn on the server.

Note: Approximately 20 to 40 seconds after the server is connected to power, the power-control button becomes active.

Step 2. When the prompt <F1> Setup is displayed, press F1.

Step 3. From the Setup utility main menu, select **Boot Manager**.

Step 4. Select **Add Boot Option → Embedded Hypervisor**. Press Enter, and then select Esc.

Step 5. Select **Change Boot Order** and then select **Commit Changes**; then, press Enter.

Step 6. Select **Save Settings** and then select **Exit Setup**.

Recovering the flash device image

If the embedded hypervisor flash device image becomes corrupt, you can use the *VMware Recovery* CD to recover the flash device image.

To recover the flash device image, complete the following steps:

Step 1. Turn on the server.

Note: Approximately 20 to 40 seconds after the server is connected to power, the power-control button becomes active.

Step 2. Insert the VMware Recovery CD into the CD or DVD drive.

Step 3. Follow the instructions on the screen.

For additional information and instructions, see the *ESXi Embedded and vCenter Server Setup Guide* at http://www.vmware.com/pdf/vsphere4/r40_u1/vsp_40_u1_esxi_e_vc_setup_guide.pdf.

Enabling the Broadcom Gigabit Ethernet Utility program

The Broadcom Gigabit Ethernet Utility program is part of the server firmware.

You can use it to configure the network as a startable device, and you can customize where the network startup option appears in the startup sequence. Enable and disable the Broadcom Gigabit Ethernet Utility program from the Setup utility.

Configuring the Gigabit Ethernet controller

The Ethernet controllers are integrated on the system board. They provide an interface for connecting to a 10 Mbps, 100 Mbps, or 1 Gbps network and provide full-duplex (FDX) capability, which enables simultaneous transmission and reception of data on the network.

If the Ethernet ports in the server support auto-negotiation, the controllers detect the data-transfer rate (10BASE-T, 100BASE-TX, or 1000BASE-T) and duplex mode (full-duplex or half-duplex) of the network and automatically operate at that rate and mode.

You do not have to set any jumpers or configure the controllers. However, you must install a device driver to enable the operating system to address the controllers.

To find device drivers and information about configuring the Ethernet controllers, go to <http://www.ibm.com/supportportal/>.

Using the LSI Configuration Utility program

Use the LSI Configuration Utility program to configure and manage redundant array of independent disks (RAID) arrays.

Be sure to use this program as described in this document.

- Use the LSI Configuration Utility program to perform the following tasks:
 - Perform a low-level format on a hard disk drive
 - Create an array of hard disk drives with or without a hot-spare drive
 - Set protocol parameters on hard disk drives

The integrated SAS/SATA controller with RAID capabilities supports RAID arrays. You can use the LSI Configuration Utility program to configure RAID 1 (IM), RAID 1E (IME), and RAID 0 (IS) for a single pair of attached devices. If you install the optional ServeRAID-MR10i SAS/SATA controller, it provides RAID levels 0, 1, 5, 6, 10, 50, and 60 support. If you install a different type of RAID adapter, follow the instructions in the documentation that comes with the adapter to view or change settings for attached devices.

In addition, you can download an LSI command-line configuration program from <http://www.ibm.com/supportportal/>.

When you are using the LSI Configuration Utility program to configure and manage arrays, consider the following information:

- The integrated SAS/SATA controller with RAID capabilities supports the following features:
 - Integrated Mirroring (IM) with hot-spare support (also known as RAID 1) Use this option to create an integrated array of two disks plus up to two optional hot spares. All data on the primary disk can be migrated.
 - Integrated Mirroring Enhanced (IME) with hot-spare support (also known as RAID 1E) Use this option to create an integrated mirror enhanced array of three to eight disks, including up to two optional hot spares. All data on the array disks will be deleted.
 - Integrated Striping (IS) (also known as RAID 0) Use this option to create an integrated striping array of two to eight disks. All data on the array disks will be deleted.

- Hard disk drive capacities affect how you create arrays. The drives in an array can have different capacities, but the RAID controller treats them as if they all have the capacity of the smallest hard disk drive.
- If you use an integrated SAS/SATA controller with RAID capabilities to configure a RAID 1 (mirrored) array after you have installed the operating system, you will lose access to any data or applications that were previously stored on the secondary drive of the mirrored pair.
- If you install a different type of RAID controller, see the documentation that comes with the controller for information about viewing and changing settings for attached devices.

Starting the LSI Configuration Utility program

Use this information to start the LSI Configuration Utility program.

To start the LSI Configuration Utility program, complete the following steps:

Step 1. Turn on the server.

Note: Approximately 20 to 40 seconds after the server is connected to power, the power-control button becomes active.

Step 2. When the prompt <F1 Setup> is displayed, press F1. If you have set an administrator password, you are prompted to type the password.

Step 3. Select **System Settings → Adapters and UEFI drivers**.

Step 4. Select **Please refresh this page on the first visit** and press Enter.

Step 5. Select **LSIcontroller_driver_name Driver** and press Enter, where *controller_driver_name* is the name of the SAS/SATA controller driver. For the SAS/SATA controller driver name, see the documentation that comes with your controller.

Step 6. To perform storage-management tasks, follow the procedures in the documentation that comes with the SAS/SATA controller.

When you have finished changing settings, press Esc to exit from the program; select **Save** to save the settings that you have changed.

Formatting a hard disk drive

Low-level formatting removes all data from the hard disk. If there is data on the disk that you want to save, back up the hard disk before you perform this procedure.

Note: Before you format a hard disk, make sure that the disk is not part of a mirrored pair.

To format a drive, complete the following steps:

Step 1. From the list of adapters, select the controller (channel) for the drive that you want to format and press Enter.

Step 2. Select **SAS Topology** and press Enter.

Step 3. Select **Direct Attach Devices** and press Enter.

Step 4. To highlight the drive that you want to format, use the Up Arrow and Down Arrow keys. To scroll left and right, use the Left Arrow and Right Arrow keys or the End key. Press Alt+D.

Step 5. To start the low-level formatting operation, select **Format** and press Enter.

Creating a RAID array of hard disk drives

Use this information to create a RAID array of hard disk drives.

To create a RAID array of hard disk drives, complete the following steps:

- Step 1. From the list of adapters, select the controller (channel) for the drives that you want to mirror.
- Step 2. Select **RAID Properties**.
- Step 3. Select the type of array that you want to create.
- Step 4. Use the arrow keys to highlight the first drive in the pair; then, press the Minus (-) or Plus (+) key to change the mirror value to **Primary**.
- Step 5. Continue to select the next drive using the Minus (-) or Plus (+) key until you have selected all the drives for your array.
- Step 6. Press C to create the disk array.
- Step 7. Select **Apply changes and exit menu** to create the array.

IBM Advanced Settings Utility program

The IBM Advanced Settings Utility (ASU) program is an alternative to the Setup utility for modifying UEFI settings.

Use the ASU program online or out of band to modify UEFI settings from the command line without the need to restart the system to access the Setup utility.

You can also use the ASU program to configure the optional remote presence features or other IMM settings. The remote presence features provide enhanced systems-management capabilities.

In addition, the ASU program provides limited settings for configuring the IPMI function in the IMM through the command-line interface.

Use the command-line interface to issue setup commands. You can save any of the settings as a file and run the file as a script. The ASU program supports scripting environments through a batch-processing mode.

For more information and to download the ASU program, go to <http://www.ibm.com/support/entry/portal/docdisplay?Indocid=TOOL-ASU>.

Updating Systems Director

If you plan to use Systems Director to manage the server, you must check for the latest applicable Systems Director updates and interim fixes.

Note: Changes are made periodically to the Lenovo website. The actual procedure might vary slightly from what is described in this document.

Installing a newer version

To locate and install a newer version of Systems Director, complete the following steps:

- Step 1. Check for the latest version of Systems Director:
 - a. Go to <http://www.ibm.com/systems/management/director/downloads.html>.
 - b. If a newer version of Systems Director than what comes with the server is shown in the drop-down list, follow the instructions on the web page to download the latest version.
- Step 2. Install the Systems Director program.

Installing updates with your management server is connected to the Internet

If your management server is connected to the Internet, to locate and install updates and interim fixes, complete the following steps:

- Step 1. Make sure that you have run the Discovery and Inventory collection tasks.
- Step 2. On the Welcome page of the Systems Director web interface, click **View updates**.
- Step 3. Click **Check for updates**. The available updates are displayed in a table.
- Step 4. Select the updates that you want to install, and click Install to start the installation wizard.

Installing updates with your management server is not connected to the Internet

If your management server is not connected to the Internet, to locate and install updates and interim fixes, complete the following steps:

- Step 1. Make sure that you have run the Discovery and Inventory collection tasks.
- Step 2. On a system that is connected to the Internet, go to <http://www.ibm.com/support/fixcentral/>.
- Step 3. From the **Product family** list, select **Systems Director**.
- Step 4. From the **Product** list, select **Systems Director**.
- Step 5. From the **Installed version** list, select the latest version, and click **Continue**.
- Step 6. Download the available updates.
- Step 7. Copy the downloaded files to the management server.
- Step 8. On the management server, on the Welcome page of the Systems Director web interface, click the **Manage** tab, and click **Update Manager**.
- Step 9. Click **Import updates** and specify the location of the downloaded files that you copied to the management server.
- Step 10. Return to the Welcome page of the Web interface, and click **View updates**.
- Step 11. Select the updates that you want to install, and click **Install** to start the installation wizard.

The UpdateXpress System Pack Installer

The UpdateXpress System Pack Installer detects supported and installed device drivers and firmware in the server and installs available updates.

For additional information and to download the UpdateXpress System Pack Installer, go to the ToolsCenter for System x and BladeCenter at <http://publib.boulder.ibm.com/infocenter/toolsctr/v1r0/> and click **UpdateXpress System Pack Installer**.

Appendix A. Getting help and technical assistance

If you need help, service, or technical assistance or just want more information about Lenovo products, you will find a wide variety of sources available from Lenovo to assist you.

Use this information to obtain additional information about Lenovo and Lenovo products, and determine what to do if you experience a problem with your Lenovo system or optional device.

Note: This section includes references to IBM web sites and information about obtaining service. IBM is Lenovo's preferred service provider for the System x, Flex System, and NeXtScale System products.

Before you call

Before you call, make sure that you have taken these steps to try to solve the problem yourself.

If you believe that you require warranty service for your Lenovo product, the service technicians will be able to assist you more efficiently if you prepare before you call.

- Check all cables to make sure that they are connected.
- Check the power switches to make sure that the system and any optional devices are turned on.
- Check for updated software, firmware, and operating-system device drivers for your Lenovo product. The Lenovo Warranty terms and conditions state that you, the owner of the Lenovo product, are responsible for maintaining and updating all software and firmware for the product (unless it is covered by an additional maintenance contract). Your service technician will request that you upgrade your software and firmware if the problem has a documented solution within a software upgrade.
- If you have installed new hardware or software in your environment, check <http://www.ibm.com/systems/info/x86servers/serverproven/compat/us/> to make sure that the hardware and software is supported by your product.
- Go to <http://support.lenovo.com/> to check for information to help you solve the problem.
- Gather the following information to provide to the service technician. This data will help the service technician quickly provide a solution to your problem and ensure that you receive the level of service for which you might have contracted.
 - Hardware and Software Maintenance agreement contract numbers, if applicable
 - Machine type number (Lenovo 4-digit machine identifier)
 - Model number
 - Serial number
 - Current system UEFI and firmware levels
 - Other pertinent information such as error messages and logs
- Go to http://www.ibm.com/support/entry/portal/Open_service_request/ to submit an Electronic Service Request. Submitting an Electronic Service Request will start the process of determining a solution to your problem by making the pertinent information available to the service technicians. The IBM service technicians can start working on your solution as soon as you have completed and submitted an Electronic Service Request.

You can solve many problems without outside assistance by following the troubleshooting procedures that Lenovo provides in the online help or in the Lenovo product documentation. The Lenovo product documentation also describes the diagnostic tests that you can perform. The documentation for most systems, operating systems, and programs contains troubleshooting procedures and explanations of error

messages and error codes. If you suspect a software problem, see the documentation for the operating system or program.

Using the documentation

Information about your Lenovo system and preinstalled software, if any, or optional device is available in the product documentation. That documentation can include printed documents, online documents, readme files, and help files.

See the troubleshooting information in your system documentation for instructions for using the diagnostic programs. The troubleshooting information or the diagnostic programs might tell you that you need additional or updated device drivers or other software. Lenovo maintains pages on the World Wide Web where you can get the latest technical information and download device drivers and updates. To access these pages, go to <http://support.lenovo.com/>.

Getting help and information from the World Wide Web

Up-to-date information about Lenovo products and support is available on the World Wide Web.

On the World Wide Web, up-to-date information about Lenovo systems, optional devices, services, and support is available at <http://support.lenovo.com/>. The most current version of the product documentation is available in the following product-specific Information Centers:

Flex System products: <http://pic.dhe.ibm.com/infocenter/flexsys/information/index.jsp>

System x products: <http://www.ibm.com/systems/x/>

NeXtScale System products: <http://pic.dhe.ibm.com/infocenter/nxtscale/documentation/index.jsp>

How to send DSA data

You can use the Enhanced Customer Data Repository to send diagnostic data to IBM.

Before you send diagnostic data to IBM, read the terms of use at <http://www.ibm.com/de/support/ecurep/terms.html>.

You can use any of the following methods to send diagnostic data:

- **Standard upload:** http://www.ibm.com/de/support/ecurep/send_http.html
 - **Standard upload with the system serial number:** http://www.ecurep.ibm.com/app/upload_hw
 - **Secure upload:** http://www.ibm.com/de/support/ecurep/send_http.html#secure
 - **Secure upload with the system serial number:** https://www.ecurep.ibm.com/app/upload_hw
-

Creating a personalized support web page

You can create a personalized support web page by identifying Lenovo products that are of interest to you.

To create a personalized support web page, go to <http://www.ibm.com/support/mynotifications>. From this personalized page, you can subscribe to weekly email notifications about new technical documents, search for information and downloads, and access various administrative services.

Software service and support

Through IBM Support Line, you can get telephone assistance, for a fee, with usage, configuration, and software problems with your Lenovo products.

For more information about Support Line and other IBM services, see <http://www.ibm.com/services/> or see <http://www.ibm.com/planetwide/> for support telephone numbers. In the U.S. and Canada, call 1-800-IBM-SERV (1-800-426-7378).

Hardware service and support

IBM is Lenovo's preferred service provider for the System x, Flex System and NeXtScale System products.

You can receive hardware service through your Lenovo reseller or from IBM. To locate a reseller authorized by Lenovo to provide warranty service, go to <http://www.ibm.com/partnerworld/> and click **Business Partner Locator**. For IBM support telephone numbers, see <http://www.ibm.com/planetwide/>. In the U.S. and Canada, call 1-800-IBM-SERV (1-800-426-7378).

In the U.S. and Canada, hardware service and support is available 24 hours a day, 7 days a week. In the U.K., these services are available Monday through Friday, from 9 a.m. to 6 p.m.

Taiwan product service

Use this information to contact IBM Taiwan product service.

台灣 IBM 產品服務聯絡方式：
台灣國際商業機器股份有限公司
台北市松仁路 7 號 3 樓
電話：0800-016-888

IBM Taiwan product service contact information:

IBM Taiwan Corporation
3F, No 7, Song Ren Rd.
Taipei, Taiwan
Telephone: 0800-016-888

Appendix B. Notices

Lenovo may not offer the products, services, or features discussed in this document in all countries. Consult your local Lenovo representative for information on the products and services currently available in your area.

Any reference to a Lenovo product, program, or service is not intended to state or imply that only that Lenovo product, program, or service may be used. Any functionally equivalent product, program, or service that does not infringe any Lenovo intellectual property right may be used instead. However, it is the user's responsibility to evaluate and verify the operation of any other product, program, or service.

Lenovo may have patents or pending patent applications covering subject matter described in this document. The furnishing of this document does not give you any license to these patents. You can send license inquiries, in writing, to:

*Lenovo (United States), Inc.
1009 Think Place - Building One
Morrisville, NC 27560
U.S.A.
Attention: Lenovo Director of Licensing*

LENOVO PROVIDES THIS PUBLICATION "AS IS" WITHOUT WARRANTY OF ANY KIND, EITHER EXPRESS OR IMPLIED, INCLUDING, BUT NOT LIMITED TO, THE IMPLIED WARRANTIES OF NON-INFRINGEMENT, MERCHANTABILITY OR FITNESS FOR A PARTICULAR PURPOSE. Some jurisdictions do not allow disclaimer of express or implied warranties in certain transactions, therefore, this statement may not apply to you.

This information could include technical inaccuracies or typographical errors. Changes are periodically made to the information herein; these changes will be incorporated in new editions of the publication. Lenovo may make improvements and/or changes in the product(s) and/or the program(s) described in this publication at any time without notice.

The products described in this document are not intended for use in implantation or other life support applications where malfunction may result in injury or death to persons. The information contained in this document does not affect or change Lenovo product specifications or warranties. Nothing in this document shall operate as an express or implied license or indemnity under the intellectual property rights of Lenovo or third parties. All information contained in this document was obtained in specific environments and is presented as an illustration. The result obtained in other operating environments may vary.

Lenovo may use or distribute any of the information you supply in any way it believes appropriate without incurring any obligation to you.

Any references in this publication to non-Lenovo Web sites are provided for convenience only and do not in any manner serve as an endorsement of those Web sites. The materials at those Web sites are not part of the materials for this Lenovo product, and use of those Web sites is at your own risk.

Any performance data contained herein was determined in a controlled environment. Therefore, the result obtained in other operating environments may vary significantly. Some measurements may have been made on development-level systems and there is no guarantee that these measurements will be the same on generally available systems. Furthermore, some measurements may have been estimated through extrapolation. Actual results may vary. Users of this document should verify the applicable data for their specific environment.

Trademarks

Lenovo, the Lenovo logo, Flex System, System x, NeXtScale System, and x Architecture are trademarks of Lenovo in the United States, other countries, or both.

Intel and Intel Xeon are trademarks of Intel Corporation in the United States, other countries, or both.

Internet Explorer, Microsoft, and Windows are trademarks of the Microsoft group of companies.

Linux is a registered trademark of Linus Torvalds.

Other company, product, or service names may be trademarks or service marks of others.

Important notes

Processor speed indicates the internal clock speed of the microprocessor; other factors also affect application performance.

CD or DVD drive speed is the variable read rate. Actual speeds vary and are often less than the possible maximum.

When referring to processor storage, real and virtual storage, or channel volume, KB stands for 1 024 bytes, MB stands for 1 048 576 bytes, and GB stands for 1 073 741 824 bytes.

When referring to hard disk drive capacity or communications volume, MB stands for 1 000 000 bytes, and GB stands for 1 000 000 000 bytes. Total user-accessible capacity can vary depending on operating environments.

Maximum internal hard disk drive capacities assume the replacement of any standard hard disk drives and population of all hard-disk-drive bays with the largest currently supported drives that are available from Lenovo.

Maximum memory might require replacement of the standard memory with an optional memory module.

Each solid-state memory cell has an intrinsic, finite number of write cycles that the cell can incur. Therefore, a solid-state device has a maximum number of write cycles that it can be subjected to, expressed as total bytes written (TBW). A device that has exceeded this limit might fail to respond to system-generated commands or might be incapable of being written to. Lenovo is not responsible for replacement of a device that has exceeded its maximum guaranteed number of program/erase cycles, as documented in the Official Published Specifications for the device.

Lenovo makes no representations or warranties with respect to non-Lenovo products. Support (if any) for the non-Lenovo products is provided by the third party, not Lenovo.

Some software might differ from its retail version (if available) and might not include user manuals or all program functionality.

Recycling information

Lenovo encourages owners of information technology (IT) equipment to responsibly recycle their equipment when it is no longer needed. Lenovo offers a variety of programs and services to assist equipment owners in recycling their IT products. For information on recycling Lenovo products, go to: <http://www.lenovo.com/recycling>.

Particulate contamination

Attention: Airborne particulates (including metal flakes or particles) and reactive gases acting alone or in combination with other environmental factors such as humidity or temperature might pose a risk to the device that is described in this document.

Risks that are posed by the presence of excessive particulate levels or concentrations of harmful gases include damage that might cause the device to malfunction or cease functioning altogether. This specification sets forth limits for particulates and gases that are intended to avoid such damage. The limits must not be viewed or used as definitive limits, because numerous other factors, such as temperature or moisture content of the air, can influence the impact of particulates or environmental corrosives and gaseous contaminant transfer. In the absence of specific limits that are set forth in this document, you must implement practices that maintain particulate and gas levels that are consistent with the protection of human health and safety. If Lenovo determines that the levels of particulates or gases in your environment have caused damage to the device, Lenovo may condition provision of repair or replacement of devices or parts on implementation of appropriate remedial measures to mitigate such environmental contamination. Implementation of such remedial measures is a customer responsibility.

Table 17. Limits for particulates and gases

| Contaminant | Limits |
|-------------|--|
| Particulate | <ul style="list-style-type: none">The room air must be continuously filtered with 40% atmospheric dust spot efficiency (MERV 9) according to ASHRAE Standard 52.2¹.Air that enters a data center must be filtered to 99.97% efficiency or greater, using high-efficiency particulate air (HEPA) filters that meet MIL-STD-282.The deliquescent relative humidity of the particulate contamination must be more than 60%².The room must be free of conductive contamination such as zinc whiskers. |
| Gaseous | <ul style="list-style-type: none">Copper: Class G1 as per ANSI/ISA 71.04-1985³Silver: Corrosion rate of less than 300 Å in 30 days |

¹ ASHRAE 52.2-2008 - *Method of Testing General Ventilation Air-Cleaning Devices for Removal Efficiency by Particle Size*. Atlanta: American Society of Heating, Refrigerating and Air-Conditioning Engineers, Inc.

² The deliquescent relative humidity of particulate contamination is the relative humidity at which the dust absorbs enough water to become wet and promote ionic conduction.

³ ANSI/ISA-71.04-1985. *Environmental conditions for process measurement and control systems: Airborne contaminants*. Instrument Society of America, Research Triangle Park, North Carolina, U.S.A.

Telecommunication regulatory statement

This product may not be certified in your country for connection by any means whatsoever to interfaces of public telecommunications networks. Further certification may be required by law prior to making any such connection. Contact a Lenovo representative or reseller for any questions.

Electronic emission notices

When you attach a monitor to the equipment, you must use the designated monitor cable and any interference suppression devices that are supplied with the monitor.

Federal Communications Commission (FCC) statement

Note: This equipment has been tested and found to comply with the limits for a Class A digital device, pursuant to Part 15 of the FCC Rules. These limits are designed to provide reasonable protection against harmful interference when the equipment is operated in a commercial environment. This equipment

generates, uses, and can radiate radio frequency energy and, if not installed and used in accordance with the instruction manual, may cause harmful interference to radio communications. Operation of this equipment in a residential area is likely to cause harmful interference, in which case the user will be required to correct the interference at his own expense.

Properly shielded and grounded cables and connectors must be used in order to meet FCC emission limits. Lenovo is not responsible for any radio or television interference caused by using other than recommended cables and connectors or by unauthorized changes or modifications to this equipment. Unauthorized changes or modifications could void the user's authority to operate the equipment.

This device complies with Part 15 of the FCC Rules. Operation is subject to the following two conditions: (1) this device may not cause harmful interference, and (2) this device must accept any interference received, including interference that might cause undesired operation.

Industry Canada Class A emission compliance statement

This Class A digital apparatus complies with Canadian ICES-003.

Avis de conformité à la réglementation d'Industrie Canada

Cet appareil numérique de la classe A est conforme à la norme NMB-003 du Canada.

Australia and New Zealand Class A statement

Attention: This is a Class A product. In a domestic environment this product may cause radio interference in which case the user may be required to take adequate measures.

European Union EMC Directive conformance statement

This product is in conformity with the protection requirements of EU Council Directive 2004/108/EC on the approximation of the laws of the Member States relating to electromagnetic compatibility. Lenovo cannot accept responsibility for any failure to satisfy the protection requirements resulting from a non-recommended modification of the product, including the installation of option cards from other manufacturers.

This product has been tested and found to comply with the limits for Class A Information Technology Equipment according to European Standard EN 55022. The limits for Class A equipment were derived for commercial and industrial environments to provide reasonable protection against interference with licensed communication equipment.

Lenovo, Einsteinova 21, 851 01 Bratislava, Slovakia

Germany Class A statement

Deutschsprachiger EU Hinweis: Hinweis für Geräte der Klasse A EU-Richtlinie zur Elektromagnetischen Verträglichkeit

Deutschsprachiger EU Hinweis: Hinweis für Geräte der Klasse A EU-Richtlinie zur Elektromagnetischen Verträglichkeit Dieses Produkt entspricht den Schutzanforderungen der EU-Richtlinie 2004/108/EG (früher 89/336/EWG) zur Angleichung der Rechtsvorschriften über die elektromagnetische Verträglichkeit in den EU-Mitgliedsstaaten und hält die Grenzwerte der EN 55022 Klasse A ein.

Um dieses sicherzustellen, sind die Geräte wie in den Handbüchern beschrieben zu installieren und zu betreiben. Des Weiteren dürfen auch nur von der Lenovo empfohlene Kabel angeschlossen werden. Lenovo übernimmt keine Verantwortung für die Einhaltung der Schutzanforderungen, wenn das Produkt ohne Zustimmung der Lenovo verändert bzw. wenn Erweiterungskomponenten von Fremdherstellern ohne Empfehlung der Lenovo gesteckt/eingebaut werden.

Deutschland:

Einhaltung des Gesetzes über die elektromagnetische Verträglichkeit von Betriebsmitteln Dieses Produkt entspricht dem „Gesetz über die elektromagnetische Verträglichkeit von Betriebsmitteln“ EMVG (früher „Gesetz über die elektromagnetische Verträglichkeit von Geräten“). Dies ist die Umsetzung der EU-Richtlinie 2004/108/EG (früher 89/336/EWG) in der Bundesrepublik Deutschland.

Zulassungsbescheinigung laut dem Deutschen Gesetz über die elektromagnetische Verträglichkeit von Betriebsmitteln, EMVG vom 20. Juli 2007 (früher Gesetz über die elektromagnetische Verträglichkeit von Geräten), bzw. der EMV EG Richtlinie 2004/108/EC (früher 89/336/EWG), für Geräte der Klasse A.

Dieses Gerät ist berechtigt, in Übereinstimmung mit dem Deutschen EMVG das EG-Konformitätszeichen - CE - zu führen. Verantwortlich für die Konformitätserklärung nach Paragraf 5 des EMVG ist die Lenovo (Deutschland) GmbH, Gropiusplatz 10, D-70563 Stuttgart.

Informationen in Hinsicht EMVG Paragraf 4 Abs. (1) 4:**Das Gerät erfüllt die Schutzanforderungen nach EN 55024 und EN 55022 Klasse A.**

Nach der EN 55022: „Dies ist eine Einrichtung der Klasse A. Diese Einrichtung kann im Wohnbereich Funkstörungen verursachen; in diesem Fall kann vom Betreiber verlangt werden, angemessene Maßnahmen durchzuführen und dafür aufzukommen.“

Nach dem EMVG: „Geräte dürfen an Orten, für die sie nicht ausreichend entstört sind, nur mit besonderer Genehmigung des Bundesministers für Post und Telekommunikation oder des Bundesamtes für Post und Telekommunikation betrieben werden. Die Genehmigung wird erteilt, wenn keine elektromagnetischen Störungen zu erwarten sind.“ (Auszug aus dem EMVG, Paragraph 3, Abs. 4). Dieses Genehmigungsverfahren ist nach Paragraph 9 EMVG in Verbindung mit der entsprechenden Kostenverordnung (Amtsblatt 14/93) kostenpflichtig.

Anmerkung: Um die Einhaltung des EMVG sicherzustellen sind die Geräte, wie in den Handbüchern angegeben, zu installieren und zu betreiben.

Japan VCCI Class A statement

この装置は、クラス A 情報技術装置です。この装置を家庭環境で使用すると電波妨害を引き起こすことがあります。この場合には使用者が適切な対策を講ずるよう要求されることがあります。 VCCI-A

This is a Class A product based on the standard of the Voluntary Control Council for Interference (VCCI). If this equipment is used in a domestic environment, radio interference may occur, in which case the user may be required to take corrective actions.

Japan Electronics and Information Technology Industries Association (JEITA) statement

高調波ガイドライン準用品

Japan Electronics and Information Technology Industries Association (JEITA) Confirmed Harmonics Guidelines with Modifications (products greater than 20 A per phase)

Korea Communications Commission (KCC) statement

이 기기는 업무용(A급)으로 전자파적합기기로
서 판매자 또는 사용자는 이 점을 주의하시기
바라며, 가정외의 지역에서 사용하는 것을 목
적으로 합니다.

This is electromagnetic wave compatibility equipment for business (Type A). Sellers and users need to pay attention to it. This is for any areas other than home.

Russia Electromagnetic Interference (EMI) Class A statement

ВНИМАНИЕ! Настоящее изделие относится к классу А.
В жилых помещениях оно может создавать радиопомехи, для
снижения которых необходимы дополнительные меры

People's Republic of China Class A electronic emission statement

中华人民共和国“A类”警告声明

声明

此为A级产品，在生活环境中，该产品可能会造成无线电干扰。在这种情况下，可能需要用户对其干扰采取切实可行的措施。

Taiwan Class A compliance statement

警告使用者：
這是甲類的資訊產品，在
居住的環境中使用時，可
能會造成射頻干擾，在這
種情況下，使用者會被要
求採取某些適當的對策。

Index

4 Pac HDD option, installing 103

A

ac good LED 27
ac power LED 24
acoustical noise emissions 5
Active Energy Manager plug-in 8
active memory 8
adapter
 remote battery
 installing 92
adapter, installation 70
adapters supported 70
administrator
 password 124
administrator password 119
assistance, getting 135
attention notices 5
Australia Class A statement 142
availability 12

B

baseboard management controller 31
bays 5
before you install a legacy operating system 125
blue screen capture features 8
blue-screen capture feature
 overview 8, 128
Boot Manager program 117, 124
Broadcom Gigabit Ethernet Utility program
 enabling 131
button, presence detection 15

C

cables
 connecting 115
cabling
 internal routing 45
Canada Class A electronic emission statement 142
caution statements 5
China Class A electronic emission statement 144
Class A electronic emission notice 142
completing
 options installation 112
components
 server 33
configuration programs
 LSI Configuration Utility 117
configuring
 with ServerGuide 125
configuring hardware 117
connecting

cables 115
connector
 Ethernet 24
 Ethernet systems-management 24
 power supply 24
 serial 24
 USB 14, 24
 video
 front 14
 rear 24
connectors
 external 37
 internal 36
 internal cable routing 45
 option 42
 rear 24
contamination, particulate and gaseous 5, 141
controllers
 Ethernet 131
controls and LEDs
 on the light path diagnostics panel 16
 on the operator information panel 15
cooling 8
cover
 installing 114
 removing 52
creating
 RAID array 133
creating a personalized support web page 136
CRUs, replacing
 cover 114
custom support web page 136

D

danger statements 5
dc good LED 27
dc power LED 24
dc power supply LED errors 28
device drivers 13, 134
devices, static-sensitive
 handling 45
diagnostics program
 DSA Preboot 8
dimension 5
DIMM
 installing 60
DIMM air baffle
 installing 114
 removing 52
DIMM installation sequence
 memory mirroring 58, 60
DIMMs
 installing 54
 order of installation for non-mirroring mode 57

- documentation 4
 - CD 3
 - Documentation Browser 4
 - updates 1
 - using 136
- documentation, updated
 - finding 4
- drives 8
 - installing 61
- DSA, sending data 33, 136
- DVD
 - drive activity LED 14
 - eject button 14
- DVD drive
 - installing 65
- DVD enablement kit
 - installing 99
- Dynamic System Analysis (DSA) Preboot diagnostics program 8

E

- electrical input 5
- electronic emission Class A notice 142
- embedded hypervisor
 - using 129
- enabling 128
- enclosure management heartbeat
 - LED 29
- Enterprise X-Architecture technology 8
- environment 5
- errors
 - dc power supply LEDs 28
- Ethernet 8
 - link status LED 24
 - systems-management connector 24
- Ethernet activity
 - LED 15, 24
- Ethernet connector 24
- Ethernet controller configuration 117
- Ethernet support 8
- European Union EMC Directive conformance statement 142
- expansion bays 5

F

- fans 8
- FCC Class A notice 142
- features 5
 - ServerGuide 125
- features, remote presence and blue-screen 8
- finding
 - updated documentation 4
- firmware updates 1, 43
- firmware, server
 - starting 124
- formatting
 - hard disk drive 132

G

- gaseous contamination 5, 141
- Germany Class A statement 142
- grease, thermal 111
- guidelines
 - options installation 43
 - system reliability 44

H

- handling static-sensitive devices 45
- hard disk drive
 - formatting 132
- hard disk drive (SATA), installing (simple-swap 2.5-inch) 63
- hard disk drive activity LED 14
- hard disk drive status LED 14
- hard disk drive, installing (hot-swap 2.5-inch) 62
- hard drive activity
 - LED 15
- hardware
 - requirements 3
- hardware service and support telephone numbers 137
- hardware, configuring 117
- heat output 5
- heat sink
 - installing 107
- help
 - from the World Wide Web 136
 - from World Wide Web 136
 - sending diagnostic data 33, 136
 - sources of 135
- hot-swap disk drive, installing 2.5-inch 62
- hot-swap drive
 - SAS/SATA IDs 63
- hot-swap hard disk drive cage
 - installing 103
- humidity 5
- hypervisor flash device
 - installing 87

I

- IBM Advanced Settings Utility program
 - overview 133
- IBM Systems Director 8
 - systems management tool 13
- IDs for SAS/SATA hot-swap drives 63
- IDs for SATA simple-swap drives 65
- IMM 117, 126
- IMM heartbeat
 - LED 29
- IMM web interface 129
- important notices 5, 140
- IN OK LED 28
- IN OK power LED 24
- information center 136
- installation guidelines 43
- installation, options
 - completing 112
- installing

- 2.5-inch hot-swap hard disk drive 62
- 2.5-inch simple-swap SATA hard disk drive 63
- adapter 70
- cover 114
- DIMM 60
- DIMM air baffle 114
- DIMMs 54
- DVD drive 65
- DVD enablement kit 99
- heat sink 107
- hot-swap fan 82
- hot-swap hard disk drive cage 103
- hot-swap power supply 84
- hypervisor flash device 87
- microprocessor 107
- microprocessor 2 air baffle 113
- options 33
- RAID adapter remote battery 92
- SAS/SATA 4 Pac HDD option 103
- ServerRAID adapter advanced feature key 80
- simple-swap SATA hard disk drives 63
- two-port Ethernet adapter 89
- virtual media key 88
- installing drives 61
- instructions
 - IBM Business Partners 33
- integrated functions 5
- integrated management module
 - LED 29
 - overview 8
 - using 126
- Integrated Management Module programs 117
- internal cable routing 45
- internal connectors 36
- IP address
 - obtaining for the IMM 128

J

- Japan Class A electronic emission statement 143
- Japan Electronics and Information Technology Industries Association statement 143
- JEITA statement 143

K

- key, virtual media 8
 - installing 88
- Korea Class A electronic emission statement 144

L

- LED
 - ac power 24
 - dc power 24
 - DVD drive activity 14
 - enclosure management heartbeat 29
 - Ethernet activity 15
 - Ethernet-link status 24
 - for Ethernet activity 24

- hard disk drive activity 14
- hard disk drive status 14
- hard drive activity 15
- IMM heartbeat 29
- IN OK power 24
- integrated management module 29
- location 14
- OUT OK power 24
- power supply error
 - rear 24
- power-on 15
 - rear 24
- system information 15
- system locator 15
- system-error 15
 - rear 24
- system-locator
 - rear 24
- LED errors
 - dc power supply 28
- LEDs
 - power-supply 27
- LEDs, system pulse 29
- legacy operating system
 - requirement 125
- License Agreement for Machine Code 4
- Licenses and Attributions Documents 4
- light panel diagnostics panel
 - location 14
- light path diagnostics 8
 - LEDs 17
- light path diagnostics LEDs 17
- light path diagnostics panel
 - controls and LEDs 16
 - NMI button 16
- local area network (LAN) 8
- log on 129
- LSI Configuration Utility program
 - starting 132
 - using 131

M

- management, system 8
- memory 8
 - specifications 5
 - two-DIMM-per-channel (2DPC) 54
- memory installation sequence
 - non-mirroring mode 57
- memory mirroring
 - description 58
 - DIMM population sequence 58, 60
- memory online-spare
 - description 60
- memory support 8
- menu choices
 - Setup utility 119
- microprocessor 8
 - installing 107
 - specifications 5

- microprocessor 2 air baffle
 - installing 113
 - removing 53
- mirroring mode 58

N

- New Zealand Class A statement 142
- NMI button
 - on the light path diagnostics panel 16
- NOS installation
 - ServerGuide 126
 - without ServerGuide 126
- notes 5
- notes, important 140
- notices 139
 - electronic emission 142
 - FCC, Class A 142
- notices and statements 5

O

- obtaining
 - IP address for IMM 128
- online documentation 1
- online publications 4
- online-spare mode 60
- operator information panel
 - controls and LEDs 15
- operator information panel release latch 14
- optional optical drive
 - specifications 5
- options
 - installing 33
- OUT OK LED 28
- OUT OK power LED 24

P

- particulate contamination 5, 141
- password 121
 - administrator 121
 - power-on 121
- password, power-on
 - switch on system board 122
- PCI
 - slot 1 24
 - slot 2 24
- PCI expansion slots 5
- PCI Express riser-card assembly
 - replacing with a PCI-X riser-card assembly 73
- PCI riser slots
 - installation configurations 70
 - supported configurations 70
- PCI riser-card assembly
 - replacing 68
- PCI-X riser-card assembly
 - replacing with a PCI Express riser-card assembly 73
- People's Republic of China Class A electronic emission statement 144

- power
 - power-control button 15
 - power-on LED 30
 - server 30
 - specifications 5
 - supply 5
- power on and working inside the server 44
- power supply
 - installing 84
- power-on LED
 - rear 24
- power-on LED 15
- power-on password 119
- power-supply LEDs 27
- power-supply LEDs 27
 - AC 27
- presence detection button 15
- product service, Taiwan 137

R

- rack release latches 14
- RAID array
 - creating 133
- RAID controller
 - removing 74
- RAS features 12
- rear view 24
- redundant
 - cooling 8
 - Ethernet connection 8
 - NIC 8
- Redundant
 - Ethernet capabilities 12
 - hot-swap power supplies 12
- reliability 12
- remind button 16
- remote battery, RAID adapter
 - installing 92
- remote presence feature 8, 128
 - using 128
- Remote presence support 117
- removing
 - DIMM air baffle 52
 - microprocessor 2 air baffle 53
 - RAID controller 74
 - SAS/SATA controller 74
- replacing
 - PCI riser-card assembly 68
- replacing a PCI Express riser-card assembly
 - with a PCI-X riser-card assembly 73
- replacing a PCI-X riser-card assembly
 - with a PCI Express riser-card assembly 73
- reset button 16
- riser card
 - connector location 36
- Russia Class A electronic emission statement 144

S

- safety iii
- Safety Information 5
- safety statements iii-iv
- SAS/SATA
 - IDs for hot-swap drives 63
- SAS/SATA 4 Pac HDD option, installing 103
- SAS/SATA controller
 - removing 74
- SATA
 - IDs for simple-swap drives 65
- sending diagnostic data 33, 136
- serial connector 24
- serial number 1
- server
 - offerings 8
 - working inside with the power on 44
- Server
 - power features 30
 - server components 33
 - server configuration
 - updating 116
 - server, backup firmware
 - starting 124
 - ServeRAID adapter
 - removing 74
 - ServeRAID adapter advanced feature key
 - installing 80
 - ServeRAID support 8
 - ServerGuide
 - features 125
 - NOS installation 126
 - setup 125
 - using 125
 - ServerGuide CD 1, 8
- service and support
 - before you call 135
 - hardware 137
 - software 137
- serviceability 12
- Setup utility 117-118
 - menu choices 119
 - starting 118
 - using 118
- shutdown 31
- simple-swap drive
 - SATA IDs 65
- simple-swap front view
 - LED location 14
- simple-swap SATA disk drive (e.5-inch), installing 63
- simple-swap SATA hard disk drives
 - installing 63
- size 5
- slots
 - PCI expansion 5
- SMP 8
- software
 - requirements 3
- software service and support telephone numbers 137
- specifications 5

- standby mode 30
- starting
 - LSI Configuration Utility program 132
 - server firmware 124
 - Setup utility 118
- statements and notices 5
- static-sensitive devices
 - handling 45
- support web page, custom 136
- SW3 switch block description 38
- SW4 switch block description 38
- switch block
 - system board 38
- switches and jumpers
 - system board 38
- symmetric multiprocessing 8
- system
 - error LED front 15
 - locator LED front 15
 - system-error LED
 - rear 24
- System
 - information LED 15
- system board
 - internal connectors 36
 - power-on password switch 122
 - switches and jumpers 38
- system pulse LEDs 29
- system reliability guidelines 44
- system-board LEDs 41
- system-locator
 - LED
 - rear 24
- Systems Director
 - updating 133
- systems management 8
- systems management tool
 - IBM Systems Director 13
- systems-management
 - Ethernet connector 24

T

- Taiwan Class A electronic emission statement 144
- Taiwan product service 137
- telecommunication regulatory statement 141
- telephone numbers 137
- temperature 5
- thermal grease 111
- TOE 5
- trademarks 140
- turning off the server 31
 - baseboard management controller 31
- turning on the server 30
- two-DIMM-per-channel (2DPC)
 - requirements 54

U

- United States FCC Class A notice 142

- UpdateXpress 13, 134
- updating
 - server configuration 116
 - Systems Director 133
- USB
 - connector 14, 24
- using
 - embedded hypervisor 129
 - IMM 126
 - integrated management module 126
 - LSI Configuration Utility program 131
 - remote presence feature 128
 - Setup utility 118
- utility
 - Setup 118
- Utility program
 - IBM Advanced Settings 133
- utility, Setup 117

V

- video connector
 - front 14
 - rear 24
- video controller, integrated
 - specifications 5
- virtual media key
 - installing 88
- virtual media key, support 8
- VMware Hypervisor support 117

W

- Wake on LAN feature 30
- weight 5
- what the server offers 8
- working inside the server
 - power on 44

X

- X-Architecture technology 8



Part Number: 00KC032

Printed in China

(1P) P/N: 00KC032

