

IBM System x3550 M2 Types 4198 and 7946



Installation and User's Guide

IBM System x3550 M2 Types 4198 and 7946



Installation and User's Guide

Note: Before using this information and the product it supports, read the information in Appendix B, "Notices," on page 115, the *IBM Safety Information* and *Environmental Notices and User Guide* documents on the *IBM Documentation CD*, and the *Warranty Information* document.

The most recent version of this document is available at <http://www.ibm.com/supportportal/>.

Thirteenth Edition (July 2012)

© Copyright IBM Corporation 2012.

US Government Users Restricted Rights – Use, duplication or disclosure restricted by GSA ADP Schedule Contract with IBM Corp.

Contents

Safety	vii
Chapter 1. The System x3550 M2 server	1
The IBM System x Documentation CD	3
Hardware and software requirements	3
Using the Documentation Browser	3
Related documentation	4
Notices and statements in this document	5
Features and specifications	6
What your server offers	8
Reliability, availability, and serviceability	11
IBM Systems Director	13
The UpdateXpress System Packs	13
Server controls, LEDs, and power	14
Front view	14
Operator information panel	15
Light path diagnostics panel	16
Rear view	26
System pulse LEDs	30
Server power features	31
Chapter 2. Installing optional devices.	35
Server components	35
System-board internal connectors	36
System-board external connectors	37
System-board switches and jumpers	38
System-board LEDs	45
System-board optional device connectors	46
Installation guidelines	46
System reliability guidelines	47
Working inside the server with the power on	48
Handling static-sensitive devices	48
Removing the cover	49
Removing the microprocessor 2 air baffle	50
Removing the DIMM air baffle	51
Installing a memory module	52
Installing drives	57
Installing a hot-swap hard disk drive	58
IDs for hot-swap hard disk drives	59
Installing a simple-swap hard disk drive	59
Installing an optional CD/DVD drive	60
Replacing a PCI riser-card assembly	63
Installing an adapter	64
Replacing a PCI Express assembly with a PCI-X assembly	66
Replacing a PCI-X assembly with a PCI Express assembly	67
Replacing an IBM ServeRAID-BR10i SAS/SATA Controller	68
Installing an optional IBM ServeRAID-MR10i SAS/SATA Controller	71
Installing a second microprocessor and heat sink	73
Thermal grease	77
Installing a hot-swap ac power supply	78
Installing the virtual media key	81
Installing a USB embedded hypervisor flash device	81
Installing a RAID adapter battery remotely in the server	82

Completing the installation.	86
Replacing the DIMM air baffle	86
Replacing the microprocessor 2 air baffle	87
Replacing the cover	88
Connecting the cables	88
Updating the server configuration	89
Chapter 3. Configuring the server	91
Using the Setup utility	92
Starting the Setup utility	92
Setup utility menu choices.	93
Passwords	96
Using the Boot Manager program	99
Starting the backup server firmware	99
Using the ServerGuide Setup and Installation CD.	100
ServerGuide features	100
Setup and configuration overview	101
Typical operating-system installation	101
Installing your operating system without using ServerGuide	102
Using the integrated management module	102
Using the embedded hypervisor	103
Using the remote presence capability and blue-screen capture	104
Enabling the remote presence feature	105
Obtaining the IP address for the IMM	105
Logging on to the Web interface	105
Enabling the Broadcom Gigabit Ethernet Utility program	106
Configuring the Gigabit Ethernet controller	106
Using LSI Configuration Utility program	106
Starting the LSI Configuration Utility program	107
Formatting a hard disk drive	108
Creating a RAID array of hard disk drives	108
IBM Advanced Settings Utility program.	108
Updating IBM Systems Director	109
The UpdateXpress System Pack Installer.	110
Appendix A. Getting help and technical assistance	111
Before you call	111
Using the documentation	112
Getting help and information from the World Wide Web	112
How to send Dynamic System Analysis data to IBM	112
Creating a personalized support web page	112
Software service and support	112
Hardware service and support	113
IBM Taiwan product service	113
Appendix B. Notices	115
Trademarks.	115
Important notes	116
Particulate contamination.	117
Documentation format	117
Telecommunication regulatory statement	118
Electronic emission notices	118
Federal Communications Commission (FCC) statement	118
Industry Canada Class A emission compliance statement	118
Avis de conformité à la réglementation d'Industrie Canada	118
Australia and New Zealand Class A statement	118

European Union EMC Directive conformance statement	119
Germany Class A statement.	119
VCCI Class A statement	120
Japan Electronics and Information Technology Industries Association (JEITA) statement	120
Korea Communications Commission (KCC) statement	120
Russia Electromagnetic Interference (EMI) Class A statement	121
People's Republic of China Class A electronic emission statement	121
Taiwan Class A compliance statement	121
Index	123

Safety

Before installing this product, read the Safety Information.

قبل تركيب هذا المنتج، يجب قراءة الملاحظات الأمنية

Antes de instalar este produto, leia as Informações de Segurança.

在安装本产品之前，请仔细阅读 **Safety Information** (安全信息)。

安裝本產品之前，請先閱讀「安全資訊」。

Prije instalacije ovog produkta obavezno pročitajte Sigurnosne Upute.

Před instalací tohoto produktu si přečtěte příručku bezpečnostních instrukcí.

Læs sikkerhedsforskrifterne, før du installerer dette produkt.

Lees voordat u dit product installeert eerst de veiligheidsvoorschriften.

Ennen kuin asennat tämän tuotteen, lue turvaohjeet kohdasta Safety Information.

Avant d'installer ce produit, lisez les consignes de sécurité.

Vor der Installation dieses Produkts die Sicherheitshinweise lesen.

Πριν εγκαταστήσετε το προϊόν αυτό, διαβάστε τις πληροφορίες ασφάλειας (safety information).

לפני שתתקינו מוצר זה, קראו את הוראות הבטיחות.

A termék telepítése előtt olvassa el a Biztonsági előírásokat!

Prima di installare questo prodotto, leggere le Informazioni sulla Sicurezza.

製品の設置の前に、安全情報をお読みください。

본 제품을 설치하기 전에 안전 정보를 읽으십시오.

Пред да се инсталира овој продукт, прочитајте информацијата за безбедност.

Les sikkerhetsinformasjonen (Safety Information) før du installerer dette produktet.

Przed zainstalowaniem tego produktu, należy zapoznać się z książką "Informacje dotyczące bezpieczeństwa" (Safety Information).

Antes de instalar este produto, leia as Informações sobre Segurança.

Перед установкой продукта прочтите инструкции по технике безопасности.

Pred inštaláciou tohto zariadenia si pečítajte Bezpečnostné predpisy.

Pred namestitvijo tega proizvoda preberite Varnostne informacije.

Antes de instalar este producto, lea la información de seguridad.

Läs säkerhetsinformationen innan du installerar den här produkten.

Important:

Each caution and danger statement in this documentation is labeled with a number. This number is used to cross reference an English language caution or danger statement with translated versions of the caution or danger statement in the *Safety Information* document.

For example, if a caution statement is labeled "Statement 1," translations for that caution statement are in the *Safety Information* document under "Statement 1."

Be sure to read all caution and danger statements in this document before you perform the procedures. Read any additional safety information that comes with the server or optional device before you install the device.

Attention: Use No. 26 AWG or larger UL-listed or CSA certified telecommunication line cord.

Statement 1:



DANGER

Electrical current from power, telephone, and communication cables is hazardous.

To avoid a shock hazard:

- **Do not connect or disconnect any cables or perform installation, maintenance, or reconfiguration of this product during an electrical storm.**
- **Connect all power cords to a properly wired and grounded electrical outlet.**
- **Connect to properly wired outlets any equipment that will be attached to this product.**
- **When possible, use one hand only to connect or disconnect signal cables.**
- **Never turn on any equipment when there is evidence of fire, water, or structural damage.**
- **Disconnect the attached power cords, telecommunications systems, networks, and modems before you open the device covers, unless instructed otherwise in the installation and configuration procedures.**
- **Connect and disconnect cables as described in the following table when installing, moving, or opening covers on this product or attached devices.**

To Connect:

1. Turn everything OFF.
2. First, attach all cables to devices.
3. Attach signal cables to connectors.
4. Attach power cords to outlet.
5. Turn device ON.

To Disconnect:

1. Turn everything OFF.
2. First, remove power cords from outlet.
3. Remove signal cables from connectors.
4. Remove all cables from devices.

Statement 2:



CAUTION:

When replacing the lithium battery, use only IBM Part Number 33F8354 or an equivalent type battery recommended by the manufacturer. If your system has a module containing a lithium battery, replace it only with the same module type made by the same manufacturer. The battery contains lithium and can explode if not properly used, handled, or disposed of.

Do not:

- **Throw or immerse into water**
- **Heat to more than 100°C (212°F)**
- **Repair or disassemble**

Dispose of the battery as required by local ordinances or regulations.

Statement 3:



CAUTION:

When laser products (such as CD-ROMs, DVD drives, fiber optic devices, or transmitters) are installed, note the following:

- Do not remove the covers. Removing the covers of the laser product could result in exposure to hazardous laser radiation. There are no serviceable parts inside the device.
- Use of controls or adjustments or performance of procedures other than those specified herein might result in hazardous radiation exposure.



DANGER

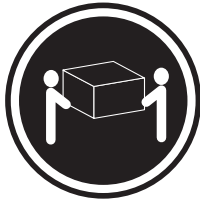
Some laser products contain an embedded Class 3A or Class 3B laser diode. Note the following.

Laser radiation when open. Do not stare into the beam, do not view directly with optical instruments, and avoid direct exposure to the beam.



Class 1 Laser Product
Laser Klasse 1
Laser Klass 1
Luokan 1 Laserlaite
Appareil À Laser de Classe 1

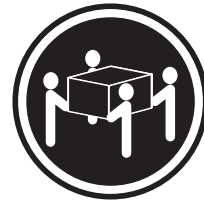
Statement 4:



≥ 18 kg (39.7 lb.)



≥ 32 kg (70.5 lb.)



≥ 55 kg (121.2 lb.)

CAUTION:

Use safe practices when lifting.

Statement 5:



CAUTION:

The power control button on the device and the power switch on the power supply do not turn off the electrical current supplied to the device. The device also might have more than one power cord. To remove all electrical current from the device, ensure that all power cords are disconnected from the power source.



Statement 6:



CAUTION:

Do not place any objects on top of a rack-mounted device unless that rack-mounted device is intended for use as a shelf.

Statement 8:



CAUTION:

Never remove the cover on a power supply or any part that has the following label attached.



Hazardous voltage, current, and energy levels are present inside any component that has this label attached. There are no serviceable parts inside these components. If you suspect a problem with one of these parts, contact a service technician.

Statement 12:



CAUTION:

The following label indicates a hot surface nearby.



Statement 26:



CAUTION:

Do not place any object on top of rack-mounted devices.



This server is suitable for use on an IT power-distribution system whose maximum phase-to-phase voltage is 240 V under any distribution fault condition.

Important: This product is not suitable for use with visual display workplace devices according to Clause 2 of the German Ordinance for Work with Visual Display Units.

Chapter 1. The System x3550 M2 server

This *Installation and User's Guide* contains information and instructions for setting up your IBM System x3550 M2 Type 4198 or 7946 server, instructions for installing some optional devices, and instructions for cabling, and configuring the server. For removing and installing optional devices, diagnostics and troubleshooting information, see the *Problem Determination and Service Guide* on the IBM System x Documentation CD, which comes with the server.

The IBM® System x3550 M2 Type 4198 or 7946 server is a 1-U-high¹ rack model server for high-volume network transaction processing. This high-performance, dual-core or quad-core server is ideally suited for networking environments that require superior microprocessor performance, input/output (I/O) flexibility, and high manageability.

Performance, ease of use, reliability, and expansion capabilities were key considerations in the design of the server. These design features make it possible for you to customize the system hardware to meet your needs today and provide flexible expansion capabilities for the future.

The server comes with a limited warranty. For information about the terms of the warranty and getting service and assistance, see the *Warranty Information* document that comes with the server.

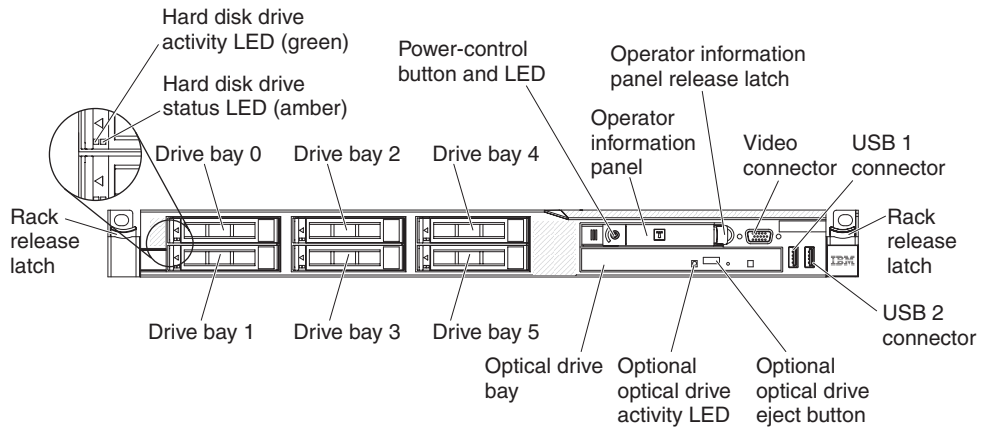
The server contains IBM X-Architecture® technologies, which help increase performance and reliability. For more information, see “What your server offers” on page 8 and “Reliability, availability, and serviceability” on page 11.

You can obtain up-to-date information about the server and other IBM server products at <http://www.ibm.com/systems/x/>. At <http://www.ibm.com/support/mysupport/>, you can create a personalized support page by identifying IBM products that are of interest to you. From this personalized page, you can subscribe to weekly e-mail notifications about new technical documents, search for information and downloads, and access various administrative services.

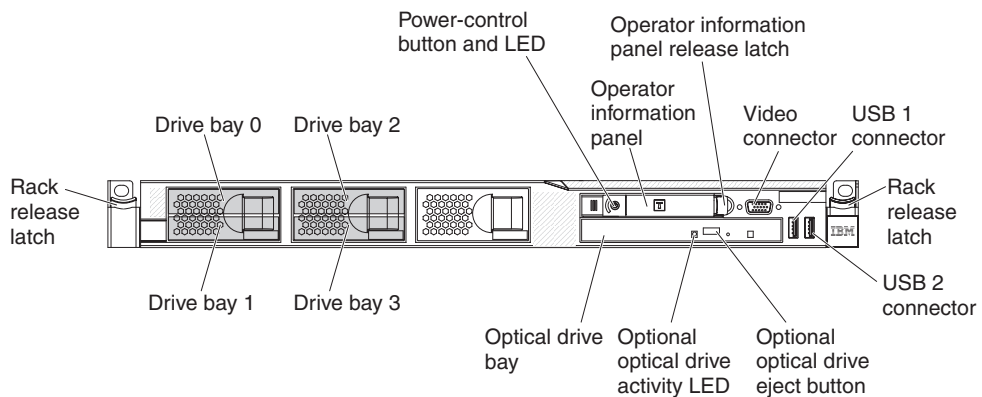
If you participate in the IBM client reference program, you can share information about your use of technology, best practices, and innovative solutions; build a professional network; and gain visibility for your business. For more information about the IBM client reference program, see <http://www.ibm.com/ibm/clientreference/>.

The hot-swap server models support six 2.5-inch hot-swap Serial Attached SCSI (SAS) hard disk drives. The illustrations in this document might differ slightly from your model.

1. Racks are marked in vertical increments of 1.75 inches each. Each increment is referred to as a unit, or a “U”. A 1-U-high device is approximately 1.75 inches tall.



The simple-swap server models support four 2.5-inch simple-swap SATA hard disk drives. The illustrations in this document might differ slightly from your model.



If firmware and documentation updates are available, you can download them from the IBM website. The server might have features that are not described in the documentation that comes with the server, and the documentation might be updated occasionally to include information about those features, or technical updates might be available to provide additional information that is not included in the server documentation. To check for updates, complete the following steps.

Note: Changes are made periodically to the IBM website. Procedures for locating firmware and documentation might vary slightly from what is described in this document.

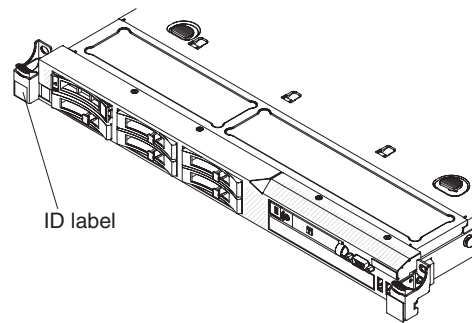
1. Go to <http://www.ibm.com/supportportal/>.
2. Under **Product support**, click **System x**.
3. Under **Popular links**, click **Software and device drivers** for firmware updates, or click **Publications lookup** for documentation updates.

Record information about the server in the following table.

Product name	IBM System x3550 M2 server
Machine type	4198 or 7946
Model number	_____
Serial number	_____

The model number and serial number are on the ID label on the front of the server, as shown in the following illustration.

Note: The illustrations in this document might differ slightly from your hardware.



You can download an IBM *ServerGuide Setup and Installation CD* to help you configure the hardware, install device drivers, and install the operating system.

For a list of supported optional devices for the server, see <http://www.ibm.com/servers/eserver/serverproven/compat/us/>.

See the *Rack Installation Instructions* document on the IBM *System x Documentation CD* for complete rack installation and removal instructions.

The IBM System x Documentation CD

The IBM *System x Documentation CD* contains documentation for the server in Portable Document Format (PDF) and includes the IBM Documentation Browser to help you find information quickly.

Hardware and software requirements

The IBM *System x Documentation CD* requires the following minimum hardware and software:

- Microsoft Windows XP, Windows 2000, or Red Hat Linux
- 100 MHz microprocessor
- 32 MB of RAM
- Adobe Acrobat Reader 3.0 (or later) or xpdf, which comes with Linux operating systems

Using the Documentation Browser

Use the Documentation Browser to browse the contents of the CD, read brief descriptions of the documents, and view documents, using Adobe Acrobat Reader or xpdf. The Documentation Browser automatically detects the regional settings in use in your server and displays the documents in the language for that region (if available). If a document is not available in the language for that region, the English-language version is displayed.

Use one of the following procedures to start the Documentation Browser:

- If Autostart is enabled, insert the CD into the CD or DVD drive. The Documentation Browser starts automatically.
- If Autostart is disabled or is not enabled for all users, use one of the following procedures:

- If you are using a Windows operating system, insert the CD into the CD or DVD drive and click **Start -> Run**. In the **Open** field, type

```
e:\win32.bat
```

where *e* is the drive letter of the CD or DVD drive, and click **OK**.

- If you are using Red Hat Linux, insert the CD into the CD or DVD drive; then, run the following command from the `/mnt/cdrom` directory:

```
sh runlinux.sh
```

Select the server from the **Product** menu. The **Available Topics** list displays all the documents for the server. Some documents might be in folders. A plus sign (+) indicates each folder or document that has additional documents under it. Click the plus sign to display the additional documents.

When you select a document, a description of the document is displayed under **Topic Description**. To select more than one document, press and hold the Ctrl key while you select the documents. Click **View Book** to view the selected document or documents in Acrobat Reader or xpdf. If you selected more than one document, all the selected documents are opened in Acrobat Reader or xpdf.

To search all the documents, type a word or word string in the **Search** field and click **Search**. The documents in which the word or word string appears are listed in order of the most occurrences. Click a document to view it, and press Ctrl+F to use the Acrobat search function, or press Alt+F to use the xpdf search function within the document.

Click **Help** for detailed information about using the Documentation Browser.

Related documentation

This *Installation and User's Guide* contains general information about the server including how to set up and cabling the server, how to install supported optional devices, and how to configure the server. The following documentation also comes with the server:

- *Environmental Notices and User Guide*
This document is in PDF on the IBM *System x Documentation* CD. It contains translated environmental notices.
- *IBM License Agreement for Machine Code*
This document is in PDF. It provides translated versions of the *IBM License Agreement for Machine Code* for your product.
- *IBM Warranty Information*
This printed document contains the warranty terms and a pointer to the IBM Statement of Limited Warranty on the IBM website.
- *Licenses and Attributions Documents*
This document is in PDF. It provides the open-source notices.
- *Problem Determination and Service Guide*
This document is in PDF on the IBM *System x Documentation* CD. It contains information to help you solve problems yourself, and it contains information for service technicians.
- *Rack Installation Instructions*
This printed document contains instructions for installing the server in a rack and comes with the rack kit.

- *Safety Information*

This document is in PDF on the IBM *System x Documentation* CD. It contains translated caution and danger statements. Each caution and danger statement that appears in the documentation has a number that you can use to locate the corresponding statement in your language in the *Safety Information* document.

Depending on the server model, additional documentation might be included on the IBM *System x Documentation* CD.

The System x and BladeCenter Tools Center is an online information center that contains information about tools for updating, managing, and deploying firmware, device drivers, and operating systems. The System x and BladeCenter Tools Center is at <http://publib.boulder.ibm.com/infocenter/toolsctr/v1r0/index.jsp>.

The server might have features that are not described in the documentation that you received with the server. The documentation might be updated occasionally to include information about those features, or technical updates might be available to provide additional information that is not included in the server documentation. These updates are available from the IBM website. To check for updates, complete the following steps.

Note: Changes are made periodically to the IBM website. The actual procedure might vary slightly from what is described in this document.

1. Go to <http://www.ibm.com/supportportal/>.
2. Under **Product support**, click **System x**.
3. Under **Popular links**, click **Publications lookup**.
4. From the **Product family** menu, select **System x3550 M2** and click **Continue**.

Notices and statements in this document

The caution and danger statements in this document are also in the multilingual *Safety Information* document, which is on the IBM *System x Documentation* CD. Each statement is numbered for reference to the corresponding statement in your language in the *Safety Information* document.

The following notices and statements are used in this document:

- **Note:** These notices provide important tips, guidance, or advice.
- **Important:** These notices provide information or advice that might help you avoid inconvenient or problem situations.
- **Attention:** These notices indicate potential damage to programs, devices, or data. An attention notice is placed just before the instruction or situation in which damage might occur.
- **Caution:** These statements indicate situations that can be potentially hazardous to you. A caution statement is placed just before the description of a potentially hazardous procedure step or situation.
- **Danger:** These statements indicate situations that can be potentially lethal or extremely hazardous to you. A danger statement is placed just before the description of a potentially lethal or extremely hazardous procedure step or situation.

Features and specifications

The following information is a summary of the features and specifications of the server. Depending on the model, some features might not be available, or some specifications might not apply.

Table 1. Features and specifications

<p>Microprocessor:</p> <ul style="list-style-type: none"> • Supports up to two Intel Xeon™ multi-core microprocessors (one installed) • Level-3 cache • QuickPath Interconnect (QPI) links speed up to 6.4 GT per second <p>Note:</p> <ul style="list-style-type: none"> • Use the Setup utility program to determine the type and speed of the microprocessors. • For a list of supported microprocessors, see http://www.ibm.com/servers/eserver/serverproven/compat/us/. <p>Memory:</p> <ul style="list-style-type: none"> • Minimum: 1 GB • Maximum: 128 GB • Type: PC3-10600R-999 (single-rank or dual-rank), 800, 1067, and 1333 MHz, ECC, DDR3 registered SDRAM DIMMs only • Slots: 16 dual inline • Supports 1 GB, 2 GB, 4 GB, and 8 GB DIMMs <p>SATA optical drives:</p> <ul style="list-style-type: none"> • CD-RW/DVD-ROM combo (optional) • DVD-ROM (optional) • Multi-burner (optional) <p>Hot-swap fans:</p> <p>The server comes standard with six dual-motor hot-swap fans.</p>	<p>Hard disk drive expansion bays (depending on the model):</p> <ul style="list-style-type: none"> • Six 2.5-inch hot-swap SAS or hot-swap SATA hard disk drive bays • Four 2.5-inch simple-swap, solid state SATA hard disk drive bays <p>PCI expansion slots:</p> <p>Supports two PCI riser slots:</p> <ul style="list-style-type: none"> • Slot 1 supports low-profile cards (PCI Express Gen2 x16 or PCI-X 1.0a 64-bit/133 MHz). • Slot 2 supports half-length, full-height cards (PCI Express Gen2 x16 or PCI-X 1.0a 64-bit/133 MHz). <p>Video controller (integrated into IMM):</p> <ul style="list-style-type: none"> • Matrox G200eV (two analog ports - one front and one rear that can be connected at the same time) <p>Note: The maximum video resolution is 1600 x 1200 at 75 Hz.</p> <ul style="list-style-type: none"> – SVGA compatible video controller – DDR2 250 MHz SDRAM video memory controller – Avocent Digital Video Compression – 16 MB of video memory (not expandable) 	<p>Power supply: Maximum of two hot-swap power supplies for redundancy support</p> <ul style="list-style-type: none"> • 675-watt ac (110 or 220 V ac auto-sensing) • 675-watt dc (-48 V or -60 V dc) <p>Environment:</p> <ul style="list-style-type: none"> • Air temperature: <ul style="list-style-type: none"> – Server on: 10°C to 35°C (50°F to 95°F); altitude: 0 to 914.4 m (3000 ft), decrease system temperature by 1.0°C for every 1000-foot increase in altitude – Server off: 5°C to 45°C (41°F to 113°F); maximum altitude: 3048 m (10000 ft) – Shipment: -40°C to 60°C (-40°F to 140°F); maximum altitude: 3048 m (10000 ft) • Humidity: <ul style="list-style-type: none"> – Server on: 8% to 80% – Server off: 8% to 80% • Particulate contamination: <p>Attention: Airborne particulates and reactive gases acting alone or in combination with other environmental factors such as humidity or temperature might pose a risk to the server. For information about the limits for particulates and gases, see “Particulate contamination” on page 117.</p> <p>Heat output:</p> <p>Approximate heat output:</p> <ul style="list-style-type: none"> • Minimum configuration: 662 Btu per hour (194 watts) • Maximum configuration: 2302 Btu per hour (675 watts)
---	---	--

Table 1. Features and specifications (continued)

<p>Integrated functions:</p> <ul style="list-style-type: none"> • Integrated Management Module (IMM), which provides service processor control and monitoring functions, video controller, and (when the optional virtual media key is installed) remote keyboard, video, mouse, and remote hard disk drive capabilities • Broadcom BCM5709 Gb Ethernet controller with TCP/IP Offload Engine (TOE) and Wake on LAN support • Five Universal Serial Bus (USB) 2.0 ports (two front and two rear of the chassis, and one on the SAS/SATA RAID riser card in which the optional USB flash device with embedded hypervisor software is installed) • Four Ethernet ports (two on system board and two additional ports when the optional IBM Dual-Port 1 Gb Ethernet Daughter Card is installed) • One System Management RJ-45 on the rear to connect to a systems management network. This system management connector is dedicated to the IMM functions. This connector is active with or without the optional IBM Virtual Media Key installed. • One serial port 	<p>RAID controllers:</p> <ul style="list-style-type: none"> • A ServeRAID-BR10i SAS/SATA adapter that provides RAID levels 0, 1, and 1E (comes standard on some hot-swap SAS and hot-swap SATA models). • An optional ServeRAID-MR10i SAS/SATA adapter that provides RAID levels 0, 1, 5, 6, 10, 50, and 60 can be ordered. • An optional ServerRAID M1015 SAS/SATA adapter that provides RAID levels 0, 1, and 10 with optional RAID 5/50 and SED (Self Encrypting Drive) upgrade can also be ordered. • An optional ServeRAID M5014 SAS/SATA adapter that provides RAID levels 0, 1, 5, 10 and 50 with optional RAID 6/60 and SED upgrade can also be ordered. • An optional ServeRAID M5015 SAS/SATA adapter that provides RAID levels 0, 1, 5, 10, and 50 with optional RAID 6/60 and SED upgrade can also be ordered. <p>Size:</p> <ul style="list-style-type: none"> • Height: 43 mm (1.69 inches, 1U) • Depth: 711 mm (28 inches) • Width: 440 mm (17.3 inches) • Maximum weight: 15.4 kg (34 lb) when fully configured <p>Acoustical noise emissions:</p> <ul style="list-style-type: none"> • Sound power, idling: 6.1 bels maximum • Sound power, operating: 6.1 bels maximum 	<p>Electrical input:</p> <ul style="list-style-type: none"> • Sine-wave input (47 - 63 Hz) required • Input voltage low range: <ul style="list-style-type: none"> – Minimum: 100 V ac – Maximum: 127 V ac • Input voltage high range: <ul style="list-style-type: none"> – Minimum: 200 V ac – Maximum: 240 V ac • Input kilovolt-amperes (kVA), approximately: <ul style="list-style-type: none"> – Minimum: 0.090 kVA – Maximum: 0.700 kVA <p>Notes:</p> <ol style="list-style-type: none"> 1. Power consumption and heat output vary depending on the number and type of optional features installed and the power-management optional features in use. 2. The sound levels were measured in controlled acoustical environments according to the procedures specified by the American National Standards Institute (ANSI) S12.10 and ISO 7779 and are reported in accordance with ISO 9296. Actual sound-pressure levels in a given location might exceed the average values stated because of room reflections and other nearby noise sources. The noise emission level stated in the declared (upper limit) sound-power level, in bels, for a random sample of system.
--	---	--

What your server offers

The server uses the following features and technologies:

- **Integrated Management Module**

The Integrated Management module (IMM) combines service processor functions, video controller, and (when an optional virtual media key is installed) remote presence function in a single chip. The IMM provides advanced service-processor control, monitoring, and alerting function. If an environmental condition exceeds a threshold or if a system component fails, the IMM lights LEDs to help you diagnose the problem, records the error in the event log, and alerts you to the problem. Optionally, the IMM also provides a virtual presence capability for remote server management capabilities. The IMM provides remote server management through the following industry-standard interfaces:

- Intelligent Platform Management Interface (IPMI) version 2.0
- Simple Network Management Protocol (SNMP) version 3
- Common Information Model (CIM)
- Web browser

For additional information, see “Using the integrated management module” on page 102.

- **UEFI-compliant server firmware**

IBM System x Server Firmware (server firmware) offers several features, including Unified Extensible Firmware Interface (UEFI) 2.1 compliance; Active Energy Manager technology; enhanced reliability, availability, and serviceability (RAS) capabilities; and basic input/output system (BIOS) compatibility support. UEFI replaces the BIOS and defines a standard interface between the operating system, platform firmware, and external devices. UEFI-compliant System x servers are capable of booting UEFI-compliant operating systems, BIOS-based operating systems, and BIOS-based adapters as well as UEFI-compliant adapters.

Note: The server does not support DOS (Disk Operating System).

- **IBM Dynamic System Analysis Preboot diagnostics programs**

The Dynamic System Analysis (DSA) Preboot diagnostics programs are stored on the integrated USB memory. It collects and analyzes system information to aid in diagnosing server problems. The diagnostic programs collect the following information about the server:

- System configuration
- Network interfaces and settings
- Installed hardware
- Light path diagnostics status
- Service processor status and configuration
- Vital product data, firmware, and UEFI (formerly BIOS) configuration
- Hard disk drive health
- RAID controller configuration
- Event logs for ServeRAID controllers and service processors

The diagnostic programs create a merged log that includes events from all collected logs. The information is collected into a file that you can send to IBM service and support. Additionally, you can view the information locally through a generated text report file. You can also copy the log to a removable media and view the log from a Web browser.

For additional information about DSA Preboot diagnostics, see the *Problem Determination and Service Guide* on the IBM System x Documentation CD

- **Dual-core or quad-core processing**

The server supports up to two Intel Xeon™ dual-core or quad-core microprocessors. The server comes with only one microprocessor installed.

- **IBM Systems Director**

IBM Systems Director is a workgroup-hardware-management tool that you can use to centrally manage System x and xSeries servers. For more information, see the IBM Systems Director Information Center at http://publib.boulder.ibm.com/infocenter/eserver/v1r2/topic/diricino_all/diricinoparent.html and “IBM Systems Director” on page 13.

- **IBM X-Architecture technology**

IBM X-Architecture technology combines proven, innovative IBM designs to make your Intel-processor-based server powerful, scalable, and reliable. For more information, see <http://www.ibm.com/servers/eserver/xseries/xarchitecture/enterprise/index.html>.

- **Active™ Memory**

The Active Memory feature improves the reliability of memory through memory mirroring. Memory mirroring mode replicates and stores data on two pairs of DIMMs within two channels simultaneously. If a failure occurs, the memory controller switches from the primary pair of memory DIMMs to the backup pair of DIMMs. For more information about installing DIMMs for memory mirroring, see “Installing a memory module” on page 52.

- **VMware ESXi embedded hypervisor**

The VMware ESXi embedded hypervisor is available on some server models. Hypervisor is virtualization software that enables multiple operating systems to run on a host system at the same time. The VMware ESXi embedded hypervisor software is provided on USB flash device that is installed in the USB connector on the SAS/SATA RAID riser card. See “Using the embedded hypervisor” on page 103 for additional information.

- **Remote presence capability and blue-screen capture**

The remote presence and blue-screen capture features are integrated functions of the Integrated Management Module (IMM) and are available with the purchase of the optional IBM Virtual Media Key. A virtual media key is required to enable the remote presence and blue-screen capture features.

The remote presence feature provides the following functions:

- Remotely viewing video with graphics resolutions up to 1600 x 1200 at 75 Hz, regardless of the system state
- Remotely accessing the server, using the keyboard and mouse from a remote client
- Mapping the CD or DVD drive, diskette drive, and USB flash drive on a remote client, and mapping ISO and diskette image files as virtual drives that are available for use by the server
- Uploading a diskette image to the IMM memory and mapping it to the server as a virtual drive

The blue-screen capture feature captures the video display contents before the IMM restarts the server when the IMM detects an operating-system hang condition. A system administrator can use the blue-screen capture to assist in determining the cause of the hang condition.

See “Using the remote presence capability and blue-screen capture” on page 104 for additional information.

– **Large system-memory capacity**

The memory bus supports up to 128 GB of system memory. The memory controller supports error correcting code (ECC) for up to 16 industry-standard PC3-10600R-999 (single-rank or dual-rank), 800, 1067, and 1333 MHz, DDR3 (third-generation double-data-rate), registered, synchronous dynamic random access memory (SDRAM) dual inline memory modules (DIMMs).

• **IBM ServerGuide Setup and Installation CD**

The *ServerGuide Setup and Installation* CD, which you can download from the Web, provides programs to help you set up the server and install a Windows operating system. The ServerGuide program detects installed optional hardware devices and provides the correct configuration programs and device drivers. For more information about the *ServerGuide Setup and Installation* CD, see “Using the ServerGuide Setup and Installation CD” on page 100.

• **Integrated network support**

The server comes with an integrated dual-port Broadcom Gigabit Ethernet controller, which supports connection to a 10 Mbps, 100 Mbps, or 1000 Mbps network. For more information, see “Configuring the Gigabit Ethernet controller” on page 106.

• **Integrated Trusted Platform Module (TPM)**

This integrated security chip performs cryptographic functions and stores private and public secure keys. It provides the hardware support for the Trusted Computing Group (TCG) specification. You can download the software to support the TCG specification, when the software is available. See http://www.ibm.com/servers/eserver/xseries/scalable_family.html for details about the TPM implementation. You can enable TPM support through the Setup utility under the **System Security** menu option.

• **Large data-storage capacity and hot-swap capability**

The hot-swap server models support a maximum of six 2.5-inch hot-swap Serial Attached SCSI (SAS) hard disk drives or hot-swap Serial ATA (SATA) hard disk drives. The simple-swap server models support a maximum of four 2.5-inch simple-swap SATA hard disk drives.

With the hot-swap feature, you can add, remove, or replace hard disk drives without turning off the server.

• **Light path diagnostics**

Light path diagnostics provides LEDs to help you diagnose problems. For more information about the light path diagnostics, see “Light path diagnostics panel” on page 16 and the *Problem Determination and Service Guide* on the IBM System x Documentation CD.

• **PCI adapter capabilities**

The server has two PCI interface slots (one supports low-profile cards, and one supports half-length, full-height cards). Both slots can support PCI Express or PCI-X adapters through an optional PCI riser card. See “Installing an adapter” on page 64 for detailed information.

• **Active Energy Manager**

The IBM Active Energy Manager solution is an IBM Systems Director plug-in that measures and reports server power consumption as it occurs. This enables you to monitor power consumption in correlation to specific software application programs and hardware configurations. You can obtain the measurement values through the systems-management interface and view them, using IBM Systems Director. For more information, including the required levels of IBM Systems Director and Active Energy Manager, see the IBM Systems Director Information

Center at http://publib.boulder.ibm.com/infocenter/eserver/v1r2/topic/dirinfo_all/dirinfoparent.html, or see <http://www.ibm.com/servers/systems/management/director/resources/>.

- **Redundant connection**

The addition of the optional Ethernet daughter card provides failover capability to a redundant Ethernet connection with the applicable application installed. If a problem occurs with the primary Ethernet connection and the optional Ethernet daughter card is installed on the server, all Ethernet traffic that is associated with the primary connection is automatically switched to the optional redundant Ethernet daughter card connection. If the applicable device drivers are installed, this switching occurs without data loss and without user intervention.

- **Redundant cooling and optional power capabilities**

The server supports a maximum of two 675-watt hot-swap power supplies and six dual-motor hot-swap fans, which provide redundancy and hot-swap capability for a typical configuration. The redundant cooling by the fans in the server enables continued operation if one of the fans fails. The server comes with one 675-watt hot-swap power supply and six fans. You can order the second optional power supply.

- **ServeRAID support**

The ServeRAID adapter provides hardware redundant array of independent disks (RAID) support to create configurations. The standard RAID adapter provides RAID levels 0, 1, and 1E. An optional RAID adapter is available for purchase that provides RAID levels 0, 1, 5, 6, 10, 50, and 60.

- **Systems-management capabilities**

The server comes with an integrated management module (IMM). When the IMM is used with the systems-management software that comes with the server, you can manage the functions of the server locally and remotely. The IMM also provides system monitoring, event recording, and network alert capability. The system-management connector on the rear of the server is dedicated to the IMM. The dedicated system-management connector provides additional security by physically separating the management network traffic from the production network. You can use the Setup utility to configure the server to use a dedicated systems-management network or a shared network.

- **TCP/IP offload engine (TOE) support**

The Ethernet controllers in the server support TOE, which is a technology that offloads the TCP/IP flow from the microprocessor and I/O subsystem to increase the speed of the TCP/IP flow. When an operating system that supports TOE is running on the server and TOE is enabled, the server supports TOE operation. See the operating-system documentation for information about enabling TOE.

Note: As of the date of this document, the Linux operating system does not support TOE.

Reliability, availability, and serviceability

Three important computer design features are reliability, availability, and serviceability (RAS). The RAS features help to ensure the integrity of the data that is stored in the server, the availability of the server when you need it, and the ease with which you can diagnose and correct problems.

Your server has the following RAS features:

- 3-year parts and 3-year labor limited warranty for machine type 7946; 4-year parts and 4-year labor limited warranty for machine type 4198.

- Automatic error retry and recovery
- Automatic restart on nonmaskable interrupt (NMI)
- Automatic restart after a power failure
- Backup basic input/output system switching under the control of the Integrated Management Module (IMM)
- Built-in monitoring for fan, power, temperature, voltage, and power-supply redundancy
- Cable-presence detection on most connectors
- Chipkill memory protection
- Diagnostic support for ServeRAID and Ethernet adapters
- Error codes and messages
- Error correcting code (ECC) L2 cache and system memory
- Hot-swap cooling fans with speed-sensing capability
- Hot-swap hard disk drives
- Information and light path diagnostics LED panels
- Integrated Management Module (IMM)
- Menu-driven setup, system configuration, and redundant array of independent disks (RAID) configuration programs
- Microprocessor built-in self-test (BIST), internal error signal monitoring, configuration checking, and microprocessor and voltage regulator module failure identification through light path diagnostics
- Memory mirroring support (memory mirroring are mutually exclusive of each other)
- Parity checking on the small computer system interface (SCSI) bus and PCI buses
- Power management: Compliance with Advanced Configuration and Power Interface (ACPI)
- Power-on self-test (POST)
- Predictive Failure Analysis (PFA) alerts on memory, SAS/SATA hard disk drives, fans, and power supplies
- Redundant Ethernet capabilities with failover support
- Redundant hot-swap power supplies and redundant hot-swap fans
- Redundant Network Interface Card (NIC) support
- Remind button to temporarily turn off the system-error LED
- Remote system problem-determination support
- ROM-based diagnostics
- ROM checksums
- Serial Presence Detection (SPD) on memory, VPD, power supply, and hard disk drives backplane
- Single-DIMM isolation of excessive correctable error or multi-bit error by the Unified Extensible Firmware Interface (UEFI)
- Standby voltage for system-management features and monitoring
- Startup (boot) from LAN through remote initial program load (RIPL) or dynamic host configuration protocol/boot protocol (DHCP/BOOTP)
- System auto-configuring from the configuration menu
- System-error logging (POST and IMM)
- Systems-management monitoring through the Inter-Integrated Circuit (IC) protocol bus
- Upgradeable POST, Unified Extensible Firmware Interface (UEFI), diagnostics, IMM firmware, and read-only memory (ROM) resident code, locally or over the LAN
- Vital product data (VPD) on microprocessors, system board, power supplies, and SAS/SATA (hot-swap hard disk drive) backplane
- Wake on LAN capability

IBM Systems Director

IBM Systems Director is a platform-management foundation that streamlines the way you manage physical and virtual systems supports multiple operating systems and virtualization technologies in IBM and non-IBM x86 platforms.

Through a single user interface, IBM Systems Director provides consistent views for viewing managed systems, determining how these systems relate to one other, and identifying their statuses, helping to correlate technical resources with business needs. A set of common tasks that are included with IBM Systems Director provides many of the core capabilities that are required for basic management, which means instant out-of-the-box business value. The common tasks include the following:

- Discovery
- Inventory
- Configuration
- System health
- Monitoring
- Updates
- Event notification
- Automation for managed systems

The IBM Systems Director web and command-line interfaces provide a consistent interface that is focused on driving these common tasks and capabilities:

- Discovering, navigating, and visualizing systems on the network with the detailed inventory and relationships to the other network resources
- Notifying users of problems that occur on systems and the ability to isolate the sources of the problems
- Notifying users when systems need updates and distributing and installing updates on a schedule
- Analyzing real-time data for systems and setting critical thresholds that notify the administrator of emerging problems
- Configuring settings of a single system and creating a configuration plan that can apply those settings to multiple systems
- Updating installed plug-ins to add new features and functions to the base capabilities
- Managing the life cycles of virtual resources

For more information, see the IBM Systems Director Information Center at http://publib.boulder.ibm.com/infocenter/eserver/v1r2/topic/dirinfo_all/dirinfoparent.html and the IBM xSeries Systems Management web page at <http://www.ibm.com/systems/management/>, which presents an overview of IBM Systems Management and IBM Systems Director.

The UpdateXpress System Packs

The UpdateXpress System Packs provide an effective and simple way to update device drivers, server firmware, and firmware of supported options contained within the server, for System x and IBM BladeCenter® servers. Each UpdateXpress System Pack contains all the online driver and firmware updates for a specific machine type and operating system combination. Use the UpdateXpress System Pack Installer to install the current UpdateXpress System Pack for your server. You can download the installer and the latest UpdateXpress System Pack for your

server from the Web at no additional cost. To download the installer or the latest UpdateXpress System Pack, go to <http://www.ibm.com/systems/support/supportsite.wss/docdisplay?Indocid=SERV-XPRESS&brandind=5000008> or complete the following steps.

Note: Changes are made periodically to the IBM website. The actual procedure might vary slightly from what is described in this document.

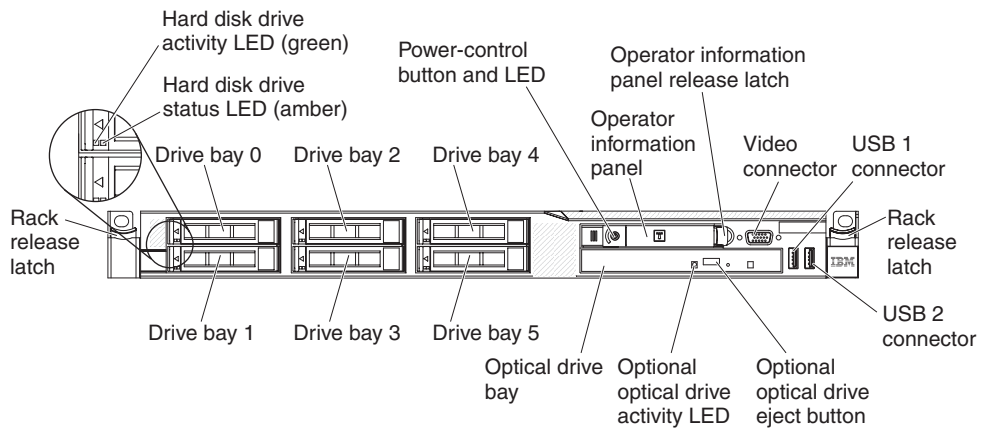
1. Go to <http://www.ibm.com/supportportal/>.
2. Under **Product support**, click **System x**.
3. Under **Popular links**, click **Software and device drivers**.
4. Under **Related downloads**, click **UpdateXpress**.

Server controls, LEDs, and power

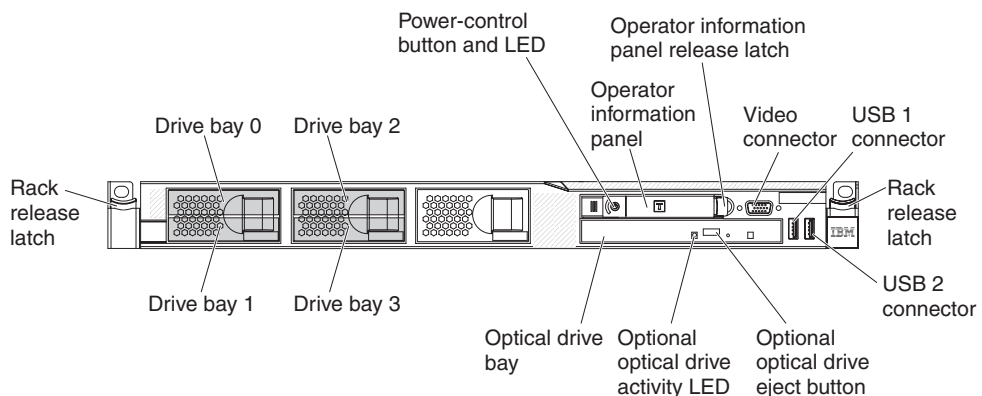
This section describes the controls and light-emitting diodes (LEDs) and how to turn the server on and off. For the locations of other LEDs on the system board, see “System-board LEDs” on page 45.

Front view

The following illustration shows the controls, LEDs, and connectors on the front of the hot-swap server model.



The following illustration shows the controls, LEDs, and connectors on the front of the simple-swap server model.



- **Rack release latches:** Press the latches on each front side of the server to remove the server from the rack.

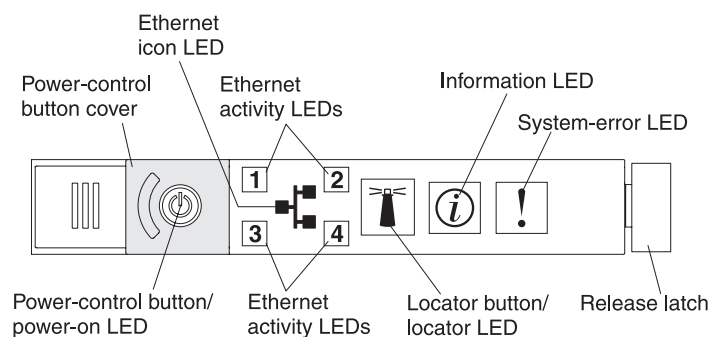
- **Hard disk drive status LEDs:** This LED is used on SAS or SATA hard disk drives. When this LED is lit, it indicates that the drive has failed. If an optional IBM ServeRAID controller is installed in the server, when this LED is flashing slowly (one flash per second), it indicates that the drive is being rebuilt. When the LED is flashing rapidly (three flashes per second), it indicates that the controller is identifying the drive.
- **Hard disk drive activity LEDs:** This LED is used on SAS or SATA hard disk drives. Each hot-swap hard disk drive has an activity LED, and when this LED is flashing, it indicates that the drive is in use.
- **Optional CD-RW/DVD eject button:** Press this button to release a DVD or CD from the optional CD/DVD drive.
- **Optional CD-RW/DVD drive activity LED:** When this LED is lit, it indicates that the optional CD-RW/DVD drive is in use.
- **Operator information panel:** This panel contains controls and LEDs that provides information about the status of the server. For information about the controls and LEDs on the operator information panel, see “Operator information panel.”
- **Operator information panel release latch:** Slide the blue release latch to the left to pull out the light path diagnostics panel and view the light path diagnostics LEDs and buttons. See “Light path diagnostics panel” on page 16 and the *Problem Determination and Service Guide* for more information about the light path diagnostics.
- **Video connector:** Connect a monitor to this connector. The video connectors on the front and rear of the server can be used simultaneously.

Note: The maximum video resolution is 1600 x 1200 at 75 Hz.

- **USB connectors:** Connect a USB device, such as a USB mouse, keyboard, or other device to any of these connectors.

Operator information panel

The following illustration shows the controls and LEDs on the operator information panel.



- **Power-control button and power-on LED:** Press this button to turn the server on and off manually or to wake the server from a reduced-power state. The states of the power-on LED are as follows:
 - Off:** Power is not present, or the power supply or the LED itself has failed.
 - Flashing rapidly (4 times per second):** The server is turned off and is not ready to be turned on. The power-control button is disabled. This will last approximately 20 to 40 seconds.
 - Flashing slowly (once per second):** The server is turned off and is ready to be turned on. You can press the power-control button to turn on the server.

Lit: The server is turned on.

Fading on and off: The server is in a reduced-power state. To wake the server, press the power-control button or use the IMM Web interface. See “Logging on to the Web interface” on page 105 for information on logging on to the IMM Web interface.

- **Ethernet activity LEDs:** When any of these LEDs is lit, they indicate that the server is transmitting to or receiving signals from the Ethernet LAN that is connected to the Ethernet port that corresponds to that LED.
- **System-locator button/LED:** Use this blue LED to visually locate the server among other servers. This LED is also used as a presence detection button. You can use IBM Systems Director to light this LED remotely. This LED is controlled by the IMM. When you press the System-locator button, the LED will blink and it will continue to blink until you press it again to turn it off. The locator button is pressed to visually locate the server among the others servers.
- **System-information LED:** When this amber LED is lit, it indicates that a noncritical event has occurred. Check the error log for additional information. See the *Problem Determination and Service Guide* on the *System x Documentation* CD for more information about error logs.
- **System-error LED:** When this amber LED is lit, it indicates that a system error has occurred. A system-error LED is also on the rear of the server. An LED on the light path diagnostics panel on the operator information panel is also lit to help isolate the error. This LED is controlled by the IMM.

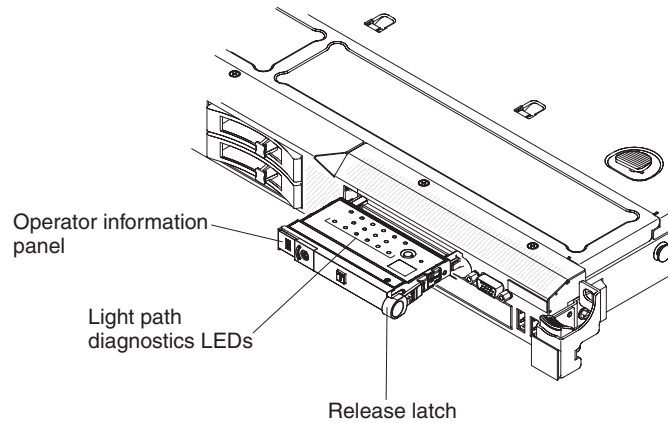
Light path diagnostics panel

The light path diagnostics panel is on the top of the operator information panel. For additional information about the LEDs on the light path diagnostics panel, see Table 2 on page 18.

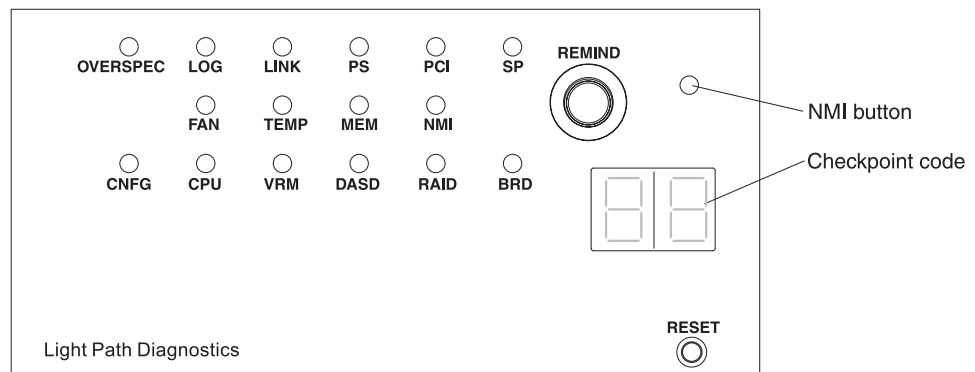
Note: The system service label on the underside of the cover also provides information about the location of the light path diagnostics LEDs.

To access the light path diagnostics panel, slide the blue release button on the operator information panel to the left. Pull forward on the unit until the hinge of the operator panel is free of the server chassis. Then pull down on the unit, so that you can view the light path diagnostics panel information.

Note: When you slide the light path diagnostics panel out of the server to check the LEDs or checkpoint codes, do not run the server continuously with light path diagnostics panel outside of the server. The panel should only be outside of the server a short time. The light path diagnostics panel must remain in the server when the server is running to ensure proper cooling.



The following illustration shows the LEDs and controls on the light path diagnostics panel.



- **Remind button:** This button places the system-error LED on the front panel into Remind mode. In Remind mode, the system-error LED flashes once every 2 seconds until the problem is corrected, the server is restarted, or a new problem occurs.

By placing the system-error LED indicator in Remind mode, you acknowledge that you are aware of the last failure but will not take immediate action to correct the problem. The remind function is controlled by the IMM.
- **NMI button:** Press this button to force a nonmaskable interrupt to the microprocessor. You might have to use a pen or the end of a straightened paper clip to press the button. It allows you to blue screen the server and take a memory dump (use this button only when directed by the IBM service support).
- **Checkpoint code display:** This display provides a checkpoint code that indicates the point at which the system stopped during the boot block and POST. A checkpoint code is either a byte or a word value that is produced by UEFI. The display does not provide error codes or suggest components to be replaced.
- **Reset button:** Press this button to reset the server and run the power-on self-test (POST). You might have to use a pen or the end of a straightened paper clip to press the button. The Reset button is in the lower-right corner of the light path diagnostics panel.

Table 2. Light path diagnostics panel LEDs

LED	Description	Action
None, but the system error LED is lit.	An error has occurred and cannot be isolated. The error is not represented by a path.	Use the Setup utility to check the system error log for information about the error.
OVER SPEC	The power supplies are using more power than their maximum rating.	<p>If the OVER SPEC LED on the light path diagnostics panel is lit, or any of the six 12 V channel error LEDs (A, B, C, D, E, or AUX) on the system board are lit, use one of the following procedures.</p> <p>If the 12 V channel A error LED is lit, complete the following steps:</p> <ol style="list-style-type: none"> 1. Turn off the server and disconnect the power from the server. 2. Remove the optical drive, fans, hard disk drives, and hard disk drive backplane. 3. Restart the server to see whether the problem remains. 4. Reinstall each device that you removed in step 2 one at a time, starting the server each time, to isolate the failing device. 5. Replace any failing device. 6. (Trained service technician only) Replace the system board. <p>If the 12 V channel B error LED is lit, complete the following steps:</p> <ol style="list-style-type: none"> 1. Turn off the server and disconnect the power from the server. 2. Remove the PCI riser card in connector 1, all DIMMs, and the microprocessor in socket 2. 3. Restart the server to see whether the problem remains. 4. Reinstall each device that you removed in step 2 one at a time, starting the server each time, to isolate the failing device. 5. Replace any failing device. 6. (Trained service technician only) Replace the system board. <p>(Continued on the next page)</p>

Table 2. Light path diagnostics panel LEDs (continued)

LED	Description	Action
OVER SPEC (Continued)	The power supplies are using more power than their maximum rating.	<p>If the 12 V channel C error LED is lit, complete the following steps:</p> <ol style="list-style-type: none"> 1. Turn off the server and disconnect the power from the server. 2. Remove the SAS/SATA RAID riser card, DIMMs in connectors 1 through 8, and the microprocessor in socket 1. <ul style="list-style-type: none"> Note: The server will not power-on when the microprocessor in socket 1 or 2 is not installed in the server. Do the following, depending on the level of your system board: <ul style="list-style-type: none"> • For the pass 8 level system board, (trained service technician only) toggle the switch block (SW4), bit 8 to allow the server to power-on. See Table 5 on page 40 for the location of the SW4 switch block on the pass 8 level system board. • For the pass 9 level system board, (trained service technician only) toggle the switch block (SW4), bit 3 to allow the server to power-on. See Table 8 on page 43 for the location of the SW4 switch block on the pass 9 level system board. 3. Restart the server to see whether the problem remains. 4. Reinstall each device that you removed in step 2 one at a time, starting the server each time, to isolate the failing device. 5. Replace any failing device. 6. (Trained service technician only) Replace the system board. <p>(Continued on the next page.)</p>

Table 2. Light path diagnostics panel LEDs (continued)

LED	Description	Action
OVER SPEC (Continued)		<p>If the 12 V channel D error LED is lit, complete the following steps:</p> <ol style="list-style-type: none"> 1. Turn off the server and disconnect the power from the server. 2. Remove the microprocessor in socket 1. Note: The server will not power-on when the microprocessor in socket 1 or 2 is not installed in the server. Do the following, depending on the level of your system board: <ul style="list-style-type: none"> • For the pass 8 level system board, (trained service technician only) toggle the switch block (SW4), bit 8 to allow the server to power-on. See Table 5 on page 40 for the location of the SW4 switch block on the pass 8 level system board. • For the pass 9 level system board, (trained service technician only) toggle the switch block (SW4), bit 3 to allow the server to power-on. See Table 8 on page 43 for the location of the SW4 switch block on the pass 9 level system board. 3. Restart the server to see whether the problem remains. 4. Reinstall the microprocessor in socket 1 and restart the server. 5. Replace any failing device. 6. (Trained service technician only) Replace the system board. <p>(Continued on the next page.)</p>

Table 2. Light path diagnostics panel LEDs (continued)

LED	Description	Action
OVER SPEC (Continued)	The power supplies are using more power than their maximum rating.	<p>If the 12 V channel E error LED is lit, complete the following steps:</p> <ol style="list-style-type: none"> 1. Turn off the server and disconnect the power from the server. 2. Remove the PCI riser card from PCI riser connector 2 and the microprocessor in socket 2. 3. Restart the server to see whether the problem remains. 4. Reinstall each device that you removed in step 2 one at a time, starting the server each time, to isolate the failing device. 5. Replace any failing device. 6. (Trained service technician only) Replace the system board. <p>If the 12 V AUX channel error LED is lit, complete the following steps:</p> <ol style="list-style-type: none"> 1. Turn off the server and disconnect the power from the server. 2. Remove all PCI Express and PCI-X cards, all PCI riser cards, the operator information panel, and the Ethernet adapter (if installed). Note: The server will not power-on when the microprocessor in socket 1 is not installed in the server. Do the following, depending on the level of your system board: <ul style="list-style-type: none"> • For the pass 8 level system board, (trained service technician only) toggle the switch block (SW4), bit 6 to allow the server to power-on. See Table 5 on page 40 for the location of the SW4 switch block on the pass 8 level system board. • For the pass 9 level system board, (trained service technician only) toggle the switch block (SW4), bit 2 to allow the server to power-on. See Table 8 on page 43 for the location of the SW4 switch block on the pass 9 level system board. 3. Restart the server to see whether the problem remains. 4. Reinstall each device that was removed in step 2 one at a time, starting the server each time, to isolate the failing device. 5. Replace any failing device. 6. (Trained service technician only) Replace the system board.
LOG	An error occurred.	Check the IMM system event log and the system-error log for information about the error. Replace any components that are identified in the error logs.

Table 2. Light path diagnostics panel LEDs (continued)

LED	Description	Action
LINK	Reserved.	
PS	Power supply 1 or 2 has failed.	<ol style="list-style-type: none"> 1. Check the power-supply that has an lit amber LED (see "Power-supply LEDs" on page 28). 2. Make sure that the power supplies are seated correctly. 3. Remove one of the power supplies to isolate the failed power supply. 4. Replace the failed power supply.
PCI	An error has occurred on a PCI bus or on the system board. An additional LED is lit next to a failing PCI slot.	<ol style="list-style-type: none"> 1. Check the LEDs on the PCI slots to identify the component that caused the error. 2. Check the system-error log for information about the error. 3. If you cannot isolate the failing adapter by using the LEDs and the information in the system-error log, remove one adapter at a time from the failing PCI bus; and restart the server after each adapter is removed. 4. Replace the following components, in the order shown, restarting the server each time: <ul style="list-style-type: none"> • PCI riser card • (Trained service technician only) Replace the system board. 5. If the failure remains, go to http://www.ibm.com/systems/support/supportsite.wss/docdisplay?brandind=5000008&Indocid=SERV-CALL.
SP	A service processor error has been detected.	<ol style="list-style-type: none"> 1. Remove power from the server; then, reconnect the server to power and restart the server. 2. Update the IMM firmware. 3. (Trained service technician only) Replace the system board, if the problem remains. 4. If the failure remains, go to http://www.ibm.com/systems/support/supportsite.wss/docdisplay?brandind=5000008&Indocid=SERV-CALL.
FAN	A fan has failed, is operating too slowly, or has been removed. The TEMP LED might also be lit.	<ol style="list-style-type: none"> 1. Reseat the failing fan, which is indicated by a lit LED near the fan connector on the system board. 2. Replace the failing fan.
TEMP	The system temperature has exceeded a threshold level. A failing fan can cause the TEMP LED to be lit.	<ol style="list-style-type: none"> 1. Make sure that the heat sink is seated correctly. 2. Determine whether a fan has failed. If it has, replace it. 3. Make sure that the room temperature is not too high. See Table 1 on page 6 for the server temperature information. 4. Make sure that the air vents are not blocked.

Table 2. Light path diagnostics panel LEDs (continued)

LED	Description	Action
MEM	When only the MEM LED is lit, a memory error has occurred. When both the MEM and CNFG LEDs are lit, the memory configuration is invalid or the PCI Option ROM is out of resource.	<ol style="list-style-type: none"> 1. If the MEM LED and the CNFG LED are lit, complete the following step: <ol style="list-style-type: none"> a. Check the system-event log in the Setup utility or IMM error messages (see the <i>Problem Determination and Service Guide</i> for more information). 2. If the CNFG LED is not lit, the system might detect a memory error. Complete the following steps to correct the problem: <ol style="list-style-type: none"> a. Update the server firmware to the latest level (see the <i>Problem Determination and Service Guide</i> for more information). b. Reseat or swap the DIMMs. c. Check the system-event log in the Setup utility or IMM error messages (see the <i>Problem Determination and Service Guide</i> for more information).
NMI	A nonmaskable interrupt has occurred, or the NMI button was pressed.	Check the system-error log for information about the error.
CNFG	A hardware configuration error has occurred.	<ol style="list-style-type: none"> 1. If the CNFG LED and the CPU LED are lit, complete the following steps to correct the problem: <ol style="list-style-type: none"> a. Check the microprocessors that were just installed to make sure that they are compatible with each other (see “Installing a second microprocessor and heat sink” on page 73 for additional information about microprocessor requirements). b. (Trained service technician only) Replace the incompatible microprocessor. c. Check the system-error logs for information about the error. Replace any components that are identified in the error log. 2. If the CNFG LED and the MEM LED are lit, complete the following step: <ol style="list-style-type: none"> a. Check the system-event log in the Setup utility or IMM error messages (see the <i>Problem Determination and Service Guide</i> for more information).

Table 2. Light path diagnostics panel LEDs (continued)

LED	Description	Action
CPU	An invalid microprocessor configuration or a microprocessor has failed (both the CPU LED and the CNFG LED might be lit).	<ol style="list-style-type: none"> 1. If the CNFG LED is lit, the system issues an invalid microprocessor configuration error. Complete the following steps to correct the problem: <ol style="list-style-type: none"> a. Check the microprocessors that were just installed to make sure that they are compatible with each other (see “Installing a second microprocessor and heat sink” on page 73 for additional information about microprocessor requirements) and use the Setup utility and select System Information → System Summary → Processor Details to verify the microprocessors information. b. (Trained service technician only) Replace the incompatible microprocessor. c. Check the system-error logs for information about the error. Replace any components that are identified in the error log. 2. If a microprocessor failure occurs, complete the following steps: <ol style="list-style-type: none"> a. (Trained service technician only) Make sure that the failing microprocessor, which is indicated by a lit LED on the system board, is installed correctly. See “Installing a second microprocessor and heat sink” on page 73 for information about installation and requirements. b. For more information, go to http://www.ibm.com/systems/support/supportsite.wss/docdisplay?brandind=5000008&Indocid=SERV-CALL.
VRM	Reserved.	

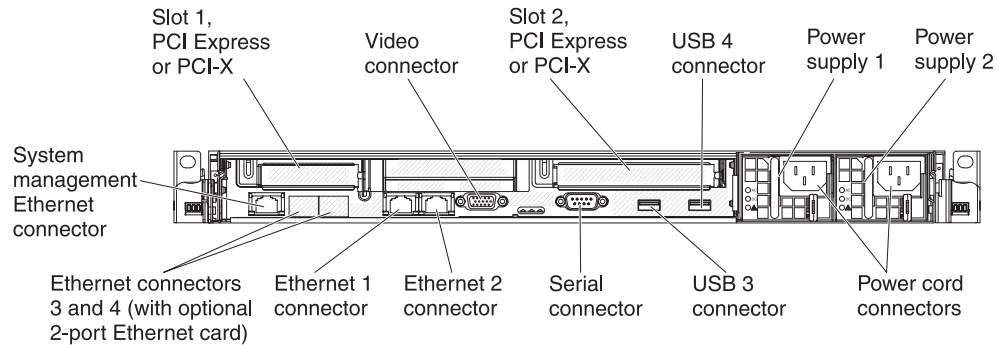
Table 2. Light path diagnostics panel LEDs (continued)

LED	Description	Action
DASD	A hard disk drive has failed or is missing.	<ol style="list-style-type: none"> 1. Check the LEDs on the hard disk drives for the drive with a lit status LED and reseal the hard disk drive. 2. Reseat the hard disk drive backplane. 3. For more information, see the "Hard disk drive problems" under the Troubleshooting tables in the <i>Problem Determination and Service Guide</i>. 4. If the error remains, replace the following components in the order listed, restarting the server after each: <ol style="list-style-type: none"> a. Replace the hard disk drive. b. Replace the hard disk drive backplane. 5. If the error remains, replace the following components one at a time, in the order listed, restarting the server after each: <ol style="list-style-type: none"> a. Replace the hard disk drive. b. Replace the hard disk drive backplane. 6. For more information, go to http://www.ibm.com/systems/support/supportsite.wss/docdisplay?brandind=5000008&Indocid=SERV-CALL.
RAID	Reserved.	
BRD	An error has occurred on the system board.	<ol style="list-style-type: none"> 1. Check the LEDs on the system board to identify the component that caused the error. The BRD LED can be lit due to any of the following reasons: <ul style="list-style-type: none"> • Battery • Missing PCI riser-card assembly • Failed voltage regulator 2. Check the system-error log for information about the error. 3. Replace any failed or missing replacement components, such as the battery or PCI riser-card assembly. 4. If a voltage regulator has failed, (trained service technician only) replace the system board.

- Follow the suggested actions in the order in which they are listed in the Action column until the problem is solved.
- See Chapter 3, "Parts listing", in the *Problem Determination and Service Guide* to determine which components are customer replaceable units (CRU) and which components are field replaceable units (FRU).
- If a action step is preceded by "(Trained service technician only)," that step must be performed only by a trained service technician.

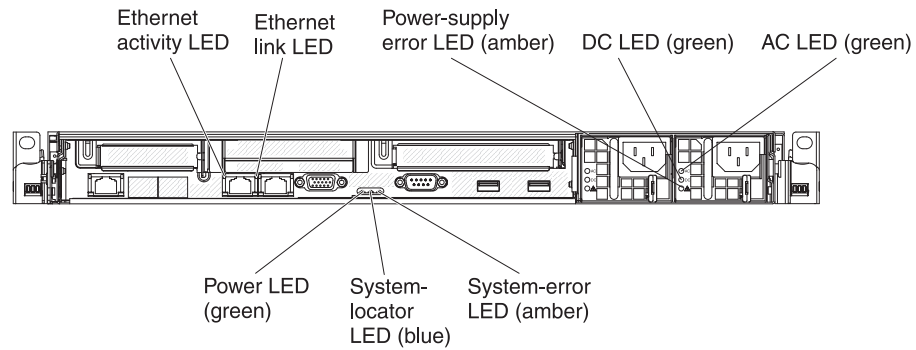
Rear view

The following illustration shows the connectors and LEDs on the rear of the server.

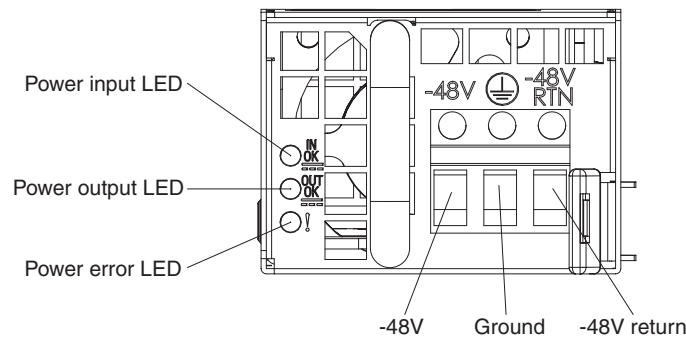


- **PCI slot 1:** Insert a low-profile PCI Express or PCI-X adapter into this slot. Standard models of the server come with two PCI Express riser assemblies. You can purchase an optional PCI-X riser-card assembly with bracket if you want to install a PCI-X adapter in this slot.
- **PCI slot 2:** Insert a half-length, full-height PCI Express or PCI-X adapter into this slot. Standard models of the server come with two PCI Express riser assemblies. You can purchase an optional PCI-X riser-card assembly with bracket if you want to install a PCI-X adapter in this slot.
- **Power cord connector:** Connect the power cord to this connector.
- **Video connector:** Connect a monitor to this connector. The video connectors on the front and rear of the server can be used simultaneously.
- **Serial connector:** Connect a 9-pin serial device to this connector. The serial port is shared with the integrated management module (IMM). The IMM can take control of the shared serial port to redirect serial traffic, using Serial over LAN (SOL).
- **USB connectors:** Connect a USB device, such as a USB mouse, keyboard, or other device to any of these connectors.
- **Systems-management Ethernet connector:** Use this connector to manage the server, using a dedicated management network. If you use this connector, the IMM cannot be accessed directly from production network. A dedicated management network provides additional security by physically separating the management network traffic from the production network. You can use the Setup utility to configure the server to use a dedicated systems management network or a shared network.
- **Ethernet connectors:** Use either of these connectors to connect the server to a network. When you use the Ethernet 1 connector, the network can be shared with the IMM through a single network cable.

The following illustration shows the LEDs on the rear of the server.



The following illustration shows the LEDs on a dc power supply.



- **Ethernet activity LEDs:** When these LEDs are lit, they indicate that the server is transmitting to or receiving signals from the Ethernet LAN that is connected to the Ethernet port.
- **Ethernet link LEDs:** When these LEDs are lit, they indicate that there is an active link connection on the 10BASE-T, 100BASE-TX, or 1000BASE-TX interface for the Ethernet port.
- **AC power LED:** Each hot-swap power supply has an ac power LED and a dc power LED. When the ac power LED is lit, it indicates that sufficient power is coming into the power supply through the power cord. During typical operation, both the ac and dc power LEDs are lit. For any other combination of LEDs, see the *Problem Determination and Service Guide* on the IBM System x Documentation CD.
- **DC power LED:** Each hot-swap power supply has a dc power LED and an ac power LED. When the dc power LED is lit, it indicates that the power supply is supplying adequate dc power to the system. During typical operation, both the ac and dc power LEDs are lit. For any other combination of LEDs, see the *Problem Determination and Service Guide* on the IBM System x Documentation CD.
- **Power-supply error LED:** When the power-supply error LED is lit, it indicates that the power supply has failed.

Note: Power supply 1 is the default/primary power supply. If power supply 1 fails, you must replace the power supply immediately.

- **System-error LED:** When this LED is lit, it indicates that a system error has occurred. An LED on the light path diagnostics panel is also lit to help isolate the error.
- **Power-on LED:** When this LED is lit and not flashing, it indicates that the server is turned on. The states of the power-on LED are as follows:

Off: Power is not present, or the power supply or the LED itself has failed.

Flashing rapidly (4 times per second): The server is turned off and is not ready to be turned on. The power-control button is disabled. This will last approximately 20 to 40 seconds.

Flashing slowly (once per second): The server is turned off and is ready to be turned on. You can press the power-control button to turn on the server.

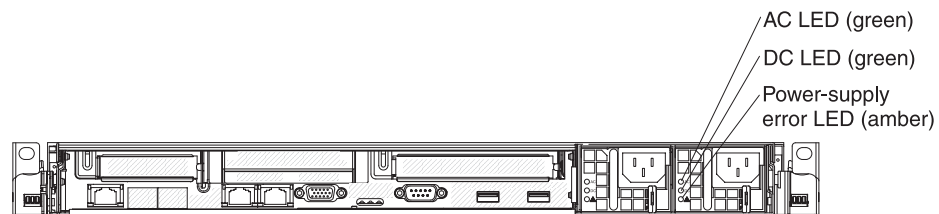
Lit: The server is turned on.

Fading on and off: The server is in a reduced-power state. To wake the server, press the power-control button or use the IMM Web interface. See “Logging on to the Web interface” on page 105 for information on logging on to the IMM Web interface.

- **System-locator LED:** Use this LED to visually locate the server among other servers. You can use IBM Systems Director to light this LED remotely.

Power-supply LEDs

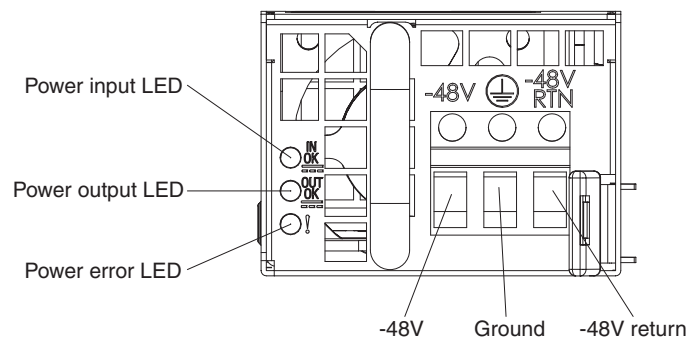
The following illustration shows the location of the power-supply LEDs on the rear of the server. See the *Problem Determination and Service Guide* for additional information about solving power-supply problems.



The following table describes the problems that are indicated by various combinations of the power-supply LEDs and the power-on LED on the operator information panel and suggested actions to correct the detected problems.

Power-supply LEDs			Description	Action	Notes
AC	DC	Error			
Off	Off	Off	No ac power to the server or a problem with the ac power source.	<ol style="list-style-type: none"> 1. Check the ac power to the server. 2. Make sure that the power cord is connected to a functioning power source. 3. Restart the server. If the error remains, check the power-supply LEDs. 4. Replace the power-supply. 	This is a normal condition when no ac power is present.
Off	Off	On	No ac power to the server or a problem with the ac power source and the power-supply had detected an internal problem.	<ul style="list-style-type: none"> • Make sure that the power cord is connected to a functioning power source. • Replace the power supply. 	This happens only when a second power supply is providing power to the server.
Off	On	Off	Faulty power-supply	Replace the power supply.	
Off	On	On	Faulty power-supply	Replace the power supply.	
On	Off	Off	Power-supply not fully seated, faulty system board, or faulty power-supply	<ol style="list-style-type: none"> 1. Reseat the power supply. 2. If the 240 V failure LED on the system board is not lit, replace the power-supply. 3. If the 240 V failure LED on the system board is lit, (trained service technician only) replace the system board. 	Typically indicates a power-supply is not fully seated.
On	Off	On	Faulty power-supply	Replace the power supply.	
On	On	Off	Normal operation		
On	On	On	Power-supply is faulty but still operational	Replace the power supply.	

The following illustration shows the locations of the power-supply LEDs on the dc power supply.



The following table describes the problems that are indicated by various combinations of the power-supply LEDs on a dc power supply and suggested actions to correct the detected problems.

DC power-supply LEDs			Description	Action	Notes
IN OK	OUT OK	Error (!)			
On	On	Off	Normal operation		
Off	Off	Off	No dc power to the server or a problem with the dc power source.	<ol style="list-style-type: none"> 1. Check the dc power to the server. 2. Make sure that the power cord is connected to a functioning power source. 3. Restart the server. If the error remains, check the power-supply LEDs. 4. Replace the power-supply. 	This is a normal condition when no dc power is present.
Off	Off	On	No dc power to the server or a problem with the dc power source and the power-supply had detected an internal problem.	<ul style="list-style-type: none"> • Make sure that the power cord is connected to a functioning power source. • Replace the power supply (see the documentation that comes with the power supply for instructions). 	
Off	On	Off	Faulty power-supply	Replace the power supply.	
Off	On	On	Faulty power-supply	Replace the power supply.	
On	Off	Off	Power-supply not fully seated, faulty system board, or faulty power-supply	<ol style="list-style-type: none"> 1. Reseat the power supply. 2. If a power channel error LED on the system board is not lit, replace the power-supply (see the documentation that comes with the power supply for instructions). 3. If a power channel error LED on the system board is lit, (trained service technician only) replace the system board. 	Typically indicates a power-supply is not fully seated.
On	Off	On	Faulty power-supply	Replace the power supply.	
On	On	On	Power-supply is faulty but still operational	Replace the power supply.	

System pulse LEDs

The following LEDs are on the system board and monitors the system power-on and power-off sequencing and boot progress (see “System-board LEDs” on page 45 for the location of these LEDs):

Table 3. System pulse LEDs

LED	Description	Action
Enclosure manager heartbeat	power-on and power-off sequencing.	<ol style="list-style-type: none"> 1. If the LED blinks at 1Hz, it is functioning properly and no action is necessary. 2. If the LED is not blinking, (trained service technician only) replace the system board.
IMM heartbeat	IMM heartbeat boot process.	<p>The following steps describe the different stages of the IMM heartbeat sequencing process.</p> <ol style="list-style-type: none"> 1. When this LED is blinking fast (approximately 4Hz), this indicates, that the IMM code is in the loading process. 2. When this LED goes off momentarily, this indicates that the IMM code has loaded completely. 3. When this LED goes off momentarily and then starts blinking slowing (approximately 1Hz), this indicates that IMM is fully operational. You can now press the power-control button to power-on the server. 4. If this LED does not blink within 30 seconds of connecting a power source to the server, complete the following steps: <ol style="list-style-type: none"> a. (Trained service technician only) use the IMM recovery jumper to recover the firmware (see Table 4 on page 39). b. (Trained service technician only) replace the system board.

Server power features

When the server is connected to power source but is not turned on, the operating system does not run, and all core logic except for the service processor (the Integrated Management Module) is shut down; however, the server can respond to requests to the service processor, such as a remote request to turn on the server. The power-on LED flashes to indicate that the server is connected to power but is not turned on.

Turning on the server

Approximately 5 seconds after the server is connected to power, one or more fans might start running to provide cooling while the server is connected to power and the power-on button LED will blink quickly. Approximately 20 to 40 seconds after the server is connected to power, the power-control button becomes active (the power-on LED will blink slowly), and one or more fans might start running to provide cooling while the server is connected to power. You can turn on the server by pressing the power-control button.

The server can also be turned on in any of the following ways:

- If a power failure occurs while the server is turned on, the server will restart automatically when power is restored.
- If your operating system supports the Wake on LAN feature, the Wake on LAN feature can turn on the server.

Note: When 4 GB or more of memory (physical or logical) is installed, some memory is reserved for various system resources and is unavailable to the operating system. The amount of memory that is reserved for system resources depends on the operating system, the configuration of the server, and the configured PCI options.

Turning off the server

When you turn off the server and leave it connected to power, the server can respond to requests to the service processor, such as a remote request to turn on the server. While the server remains connected to power, one or more fans might continue to run. To remove all power from the server, you must disconnect it from the power source.

Some operating systems require an orderly shutdown before you turn off the server. See your operating-system documentation for information about shutting down the operating system.

Statement 5:



CAUTION:

The power control button on the device and the power switch on the power supply do not turn off the electrical current supplied to the device. The device also might have more than one power cord. To remove all electrical current from the device, ensure that all power cords are disconnected from the power source.



The server can be turned off in any of the following ways:

- You can turn off the server from the operating system, if your operating system supports this feature. After an orderly shutdown of the operating system, the server will turn off automatically.
- You can press the power-control button to start an orderly shutdown of the operating system and turn off the server, if your operating system supports this feature.
- If the operating system stops functioning, you can press and hold the power-control button for more than 4 seconds to turn off the server.
- The server can be turned off by Wake on LAN feature with the following limitation:

Note: When you install any PCI adapter, the power cords must be disconnected from the power source before you remove the PCI Express riser-card assembly and the PCI-X riser-card assembly. Otherwise, the active power management event signal will be disabled by the system-board logic, and the Wake on LAN feature might not work. However, after the server is powered-on locally, the active power management event signal will be enabled by the system-board logic.

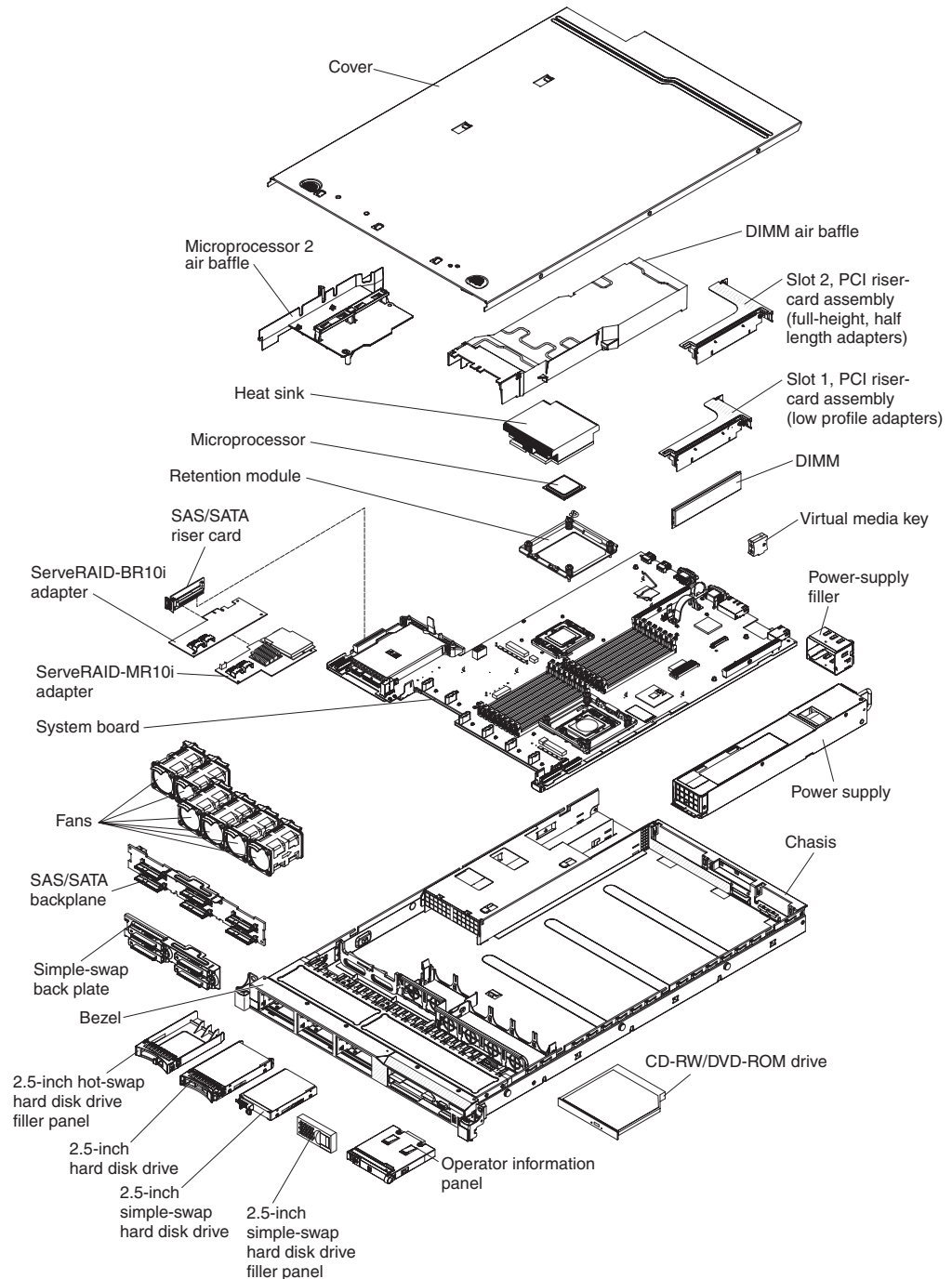
- The integrated management module (IMM) can turn off the server as an automatic response to a critical system failure.

Chapter 2. Installing optional devices

This chapter provides detailed instructions for installing optional hardware devices in the server.

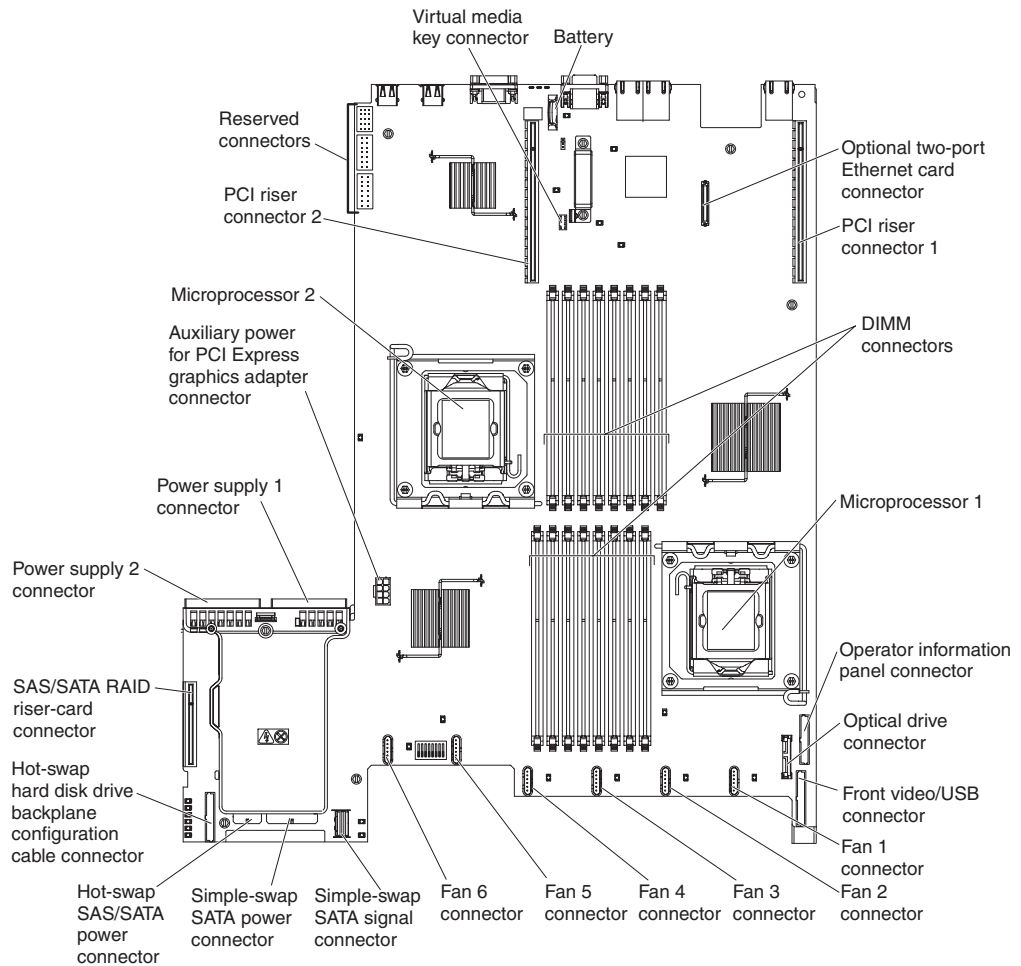
Server components

The following illustration shows the major components in the server. The illustrations in this document might differ slightly from your hardware.



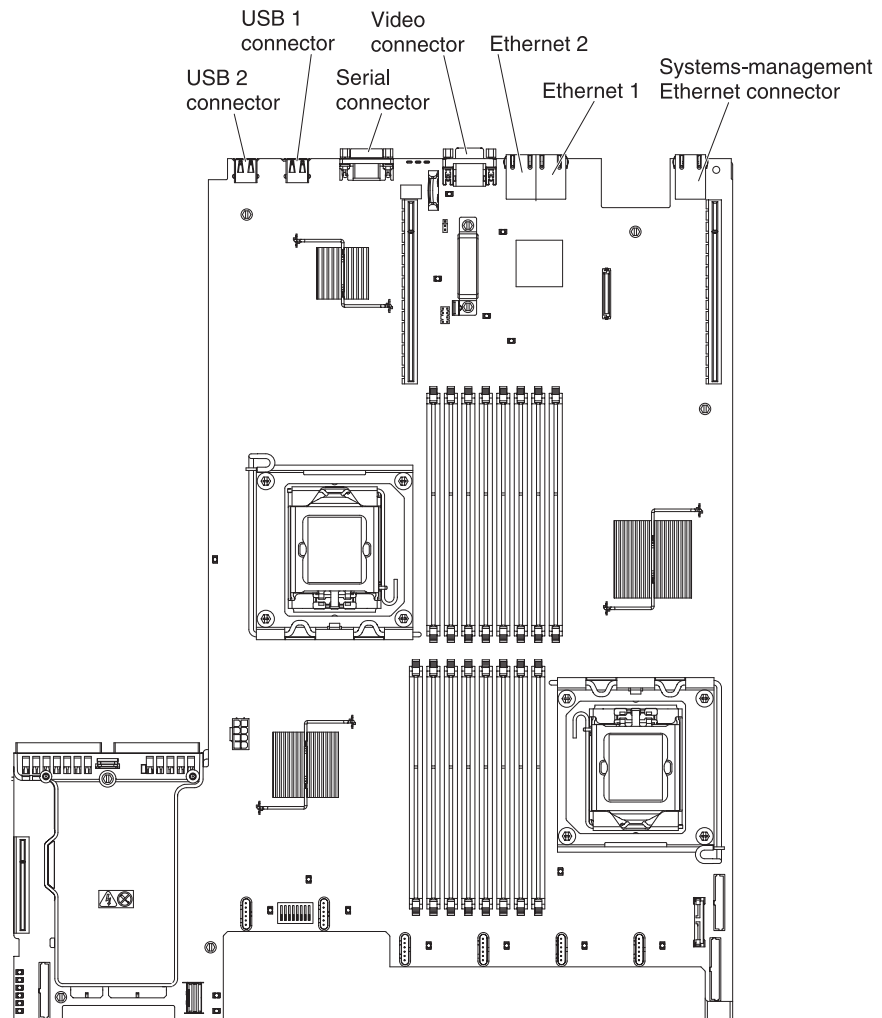
System-board internal connectors

The following illustration shows the internal connectors on the system board.



System-board external connectors

The following illustration shows the external input/output connectors on the system board.



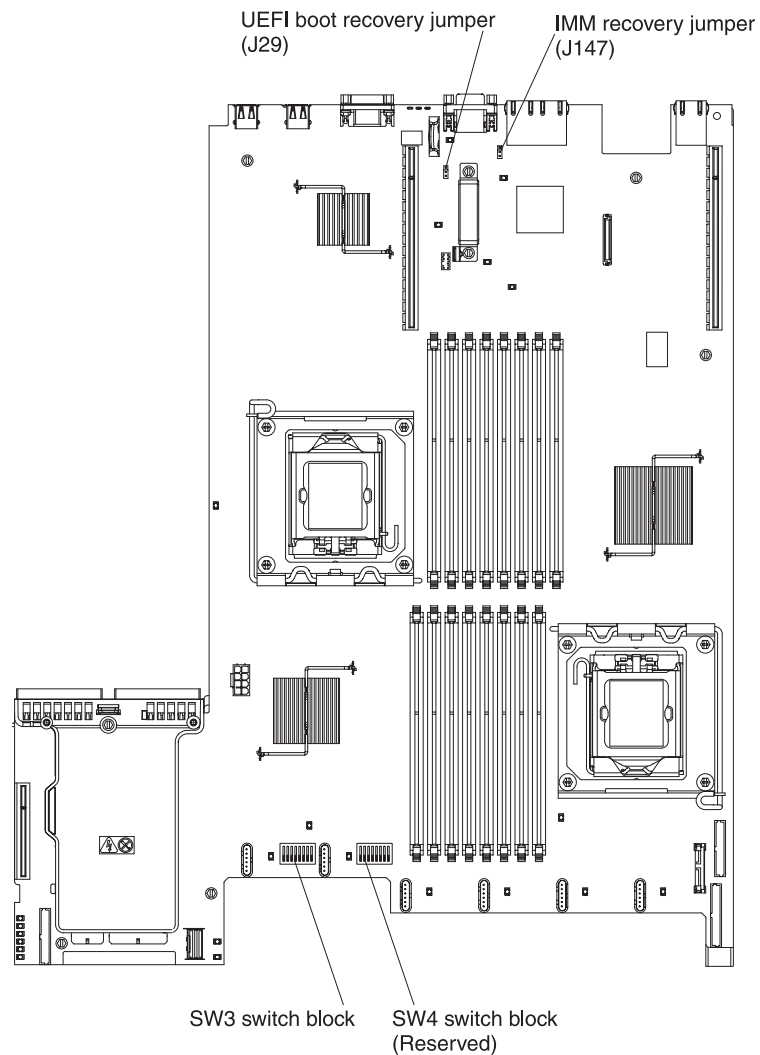
System-board switches and jumpers

Some server models come with the Pass 8 level system board or the Pass 9 level system board. The Pass 8 level system board does not have an identifying mark. The Pass 9 level system board is identifiable by P9, as indicated in the illustration in “Pass 9 level system board” on page 40. If the system board is updated in the future, it will also show the pass level on the system board. The functionality of the two system boards are equivalent except the switch blocks. The functions of the switch blocks on each of these system boards will differ, depending on the level of the system board that is installed in your server. The following sections describe the switches and jumpers for each of these system boards.

Pass 8 level system board

If your server has the Pass 8 level system board, the following illustration shows the location and description of the switches and jumpers:

Note: If there is a clear protective sticker on the top of the switch block, you must remove and discard it to access the switch.



The following table describes the jumpers on the Pass 8 level system board.

Table 4. Pass 8 level system board jumpers

Jumper number	Jumper name	Jumper setting
J29	UEFI boot recovery jumper	<ul style="list-style-type: none"> • Pins 1 and 2: Normal (default) Loads the primary server firmware ROM page. • Pins 2 and 3: Loads the secondary (backup) server firmware ROM page.
J147	IMM recovery jumper	<ul style="list-style-type: none"> • Pins 1 and 2: Normal (default) Loads the primary IMM firmware ROM page. • Pins 2 and 3: Loads the secondary (backup) IMM firmware ROM page.
<p>Notes:</p> <ol style="list-style-type: none"> 1. If no jumper is present, the server responds as if the pins are set to 1 and 2. 2. Changing the position of the UEFI boot recovery jumper from pins 1 and 2 to pins 2 and 3 before the server is turned on alters which flash ROM page is loaded. Do not change the jumper pin position after the server is turned on. This can cause an unpredictable problem. 		

The following table describes the functions of the SW3 switch block on the Pass 8 level system board:

Table 5. Pass 8 level system board SW3 switch block definition

Switch number	Default position	Description
1	Off	Clear CMOS memory. When this switch is toggled to On, it clears the data in CMOS memory.
2	Off	Reserved.
3	Off	Reserved.
4	Off	Reserved.
5	Off	Power-on password override. Changing the position of this switch bypasses the power-on password check the next time the server is turned on and starts the Setup utility so that you can change or delete the power-on password. You do not have to move the switch back to the default position after the power-on password is overridden. Changing the position of this switch does not affect the administrator password check if an administrator password is set. See "Passwords" on page 96 for additional information about passwords.
6	Off	When you toggle this switch On and then Off, you force a power-on, which overrides the power-on and power-off button on the server and they become nonfunctional.
7	Off	Reserved.
8	Off	Reserved.

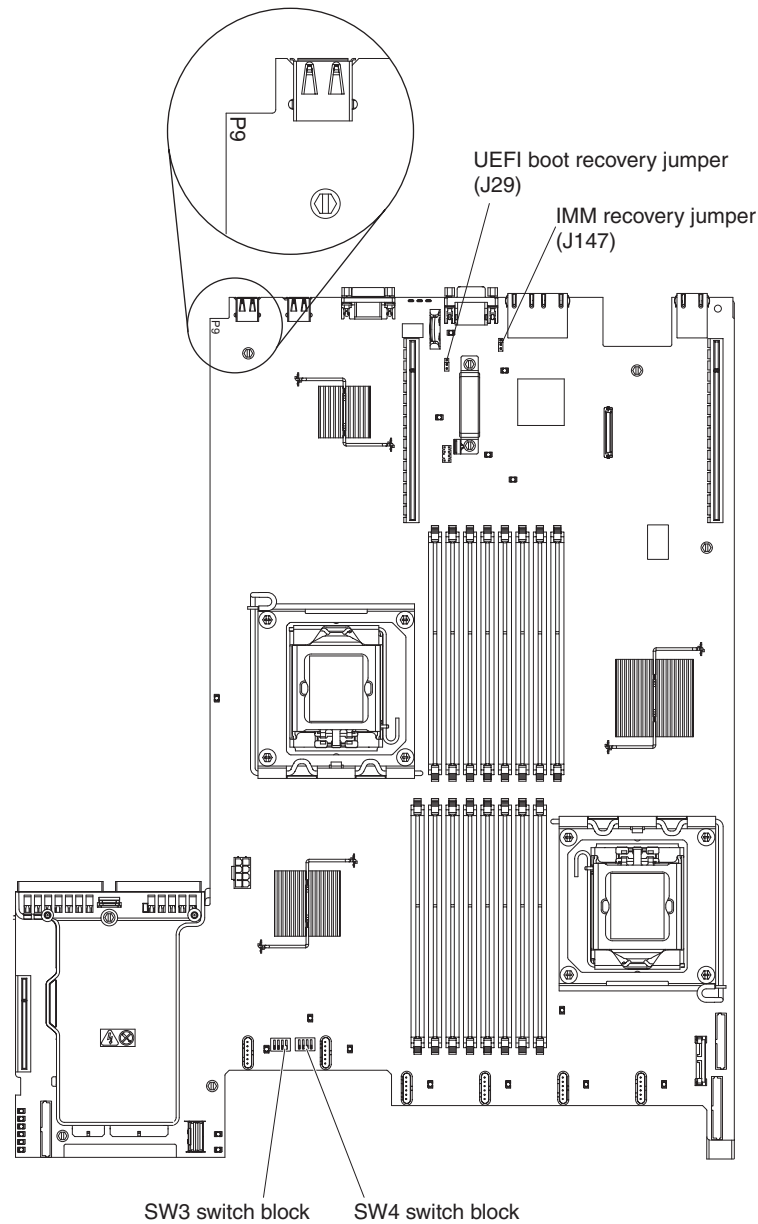
Important:

1. Before you change any switch settings or move any jumpers, turn off the server; then, disconnect all power cords and external cables. Review the information in vii, "Installation guidelines" on page 46, "Handling static-sensitive devices" on page 48, and "Turning off the server" on page 32.
2. Any system-board switch or jumper blocks that are not shown in the illustrations in this document are reserved.

Pass 9 level system board

If your server has the Pass 9 level system board, the following illustration shows the location and description of the switches and jumpers. To determine if your system board is a pass 9 level system board, you will see P9 (with a part number to the right of it) on the corner of the system board near the USB connectors on the rear of the server, as shown in the following illustration.

Note: If there is a clear protective sticker on the top of the switch blocks, you must remove and discard it to access the switches.



The following table describes the jumpers on the Pass 9 level system board.

Table 6. Pass 9 level system board jumpers

Jumper number	Jumper name	Jumper setting
J29	UEFI boot recovery jumper	<ul style="list-style-type: none"> Pins 1 and 2: Normal (default) Loads the primary server firmware ROM page. Pins 2 and 3: Loads the secondary (backup) server firmware ROM page.

Table 6. Pass 9 level system board jumpers (continued)

Jumper number	Jumper name	Jumper setting
J147	IMM recovery jumper	<ul style="list-style-type: none"> • Pins 1 and 2: Normal (default) Loads the primary IMM firmware ROM page. • Pins 2 and 3: Loads the secondary (backup) IMM firmware ROM page.
<p>Notes:</p> <ol style="list-style-type: none"> 1. If no jumper is present, the server responds as if the pins are set to 1 and 2. 2. Changing the position of the UEFI boot recovery jumper from pins 1 and 2 to pins 2 and 3 before the server is turned on alters which flash ROM page is loaded. Do not change the jumper pin position after the server is turned on. This can cause an unpredictable problem. 		

The following table describes the functions of the SW3 switch block on the Pass 9 level system board.

Table 7. Pass 9 level system board SW3 switch block definition

Switch number	Default position	Description
1	Off	Clear CMOS memory. When this switch is toggled to On, it clears the data in CMOS memory, which clears the power-on password.
2	Off	Reserved.
3	Off	Reserved.
4	Off	Reserved.

The following table describes the functions of the SW4 switch block on the Pass 9 level system board.

Table 8. Pass 9 level system board SW4 switch block definition

Switch number	Default position	Description
1	Off	<p>Power-on password override. Changing the position of this switch bypasses the power-on password check the next time the server is turned on and starts the Setup utility so that you can change or delete the power-on password. You do not have to move the switch back to the default position after the power-on password is overridden.</p> <p>Changing the position of this switch does not affect the administrator password check if an administrator password is set.</p> <p>See “Passwords” on page 96 for additional information about passwords.</p>
2	Off	When you toggle this switch On and then Off, you force a power-on, which overrides the power-on and power-off button on the server and they become nonfunctional.
3	Off	(Trained service technician only) Forced power permission. Changing the position of this switch overrides the IMM power-on checking process.
4	Off	Reserved.

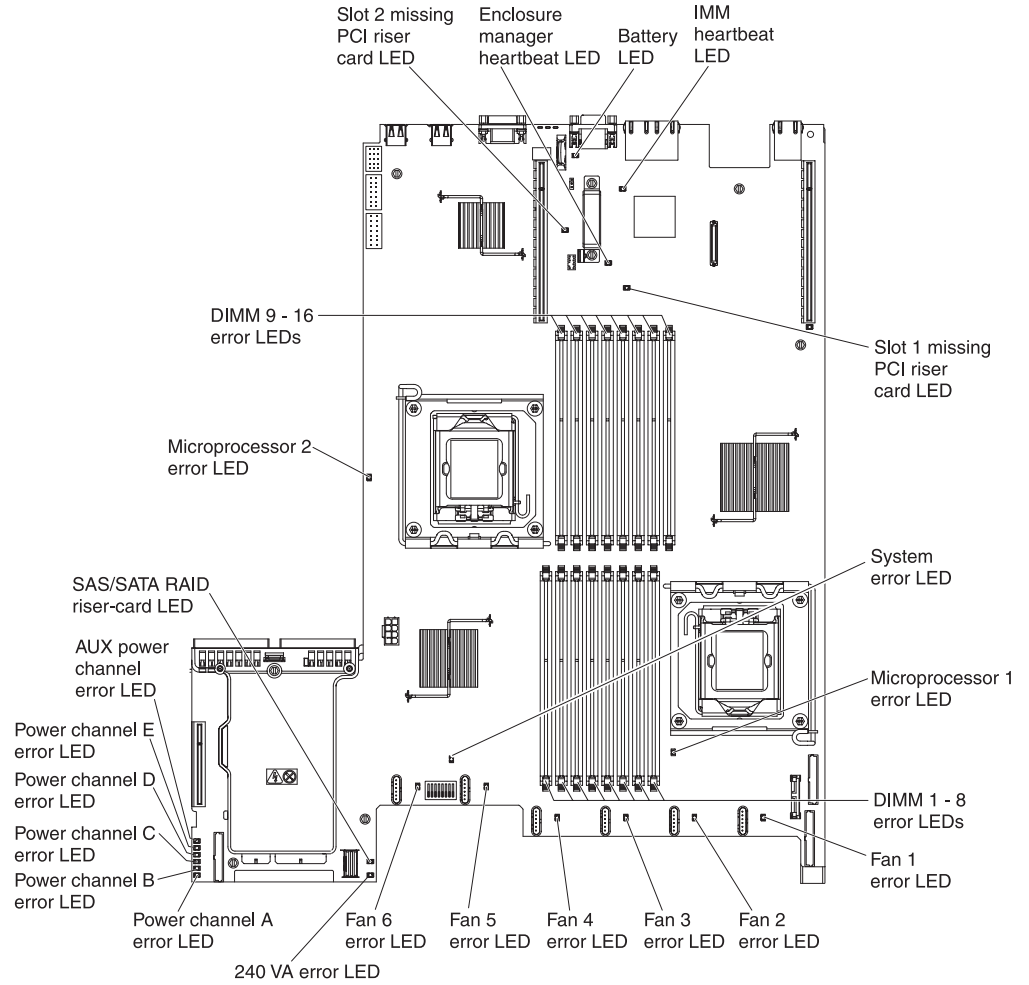
Important:

1. Before you change any switch settings or move any jumpers, turn off the server; then, disconnect all power cords and external cables. Review the information in

- vii, “Installation guidelines” on page 46, “Handling static-sensitive devices” on page 48, and “Turning off the server” on page 32.
2. Any system-board switch or jumper blocks that are not shown in the illustrations in this document are reserved.

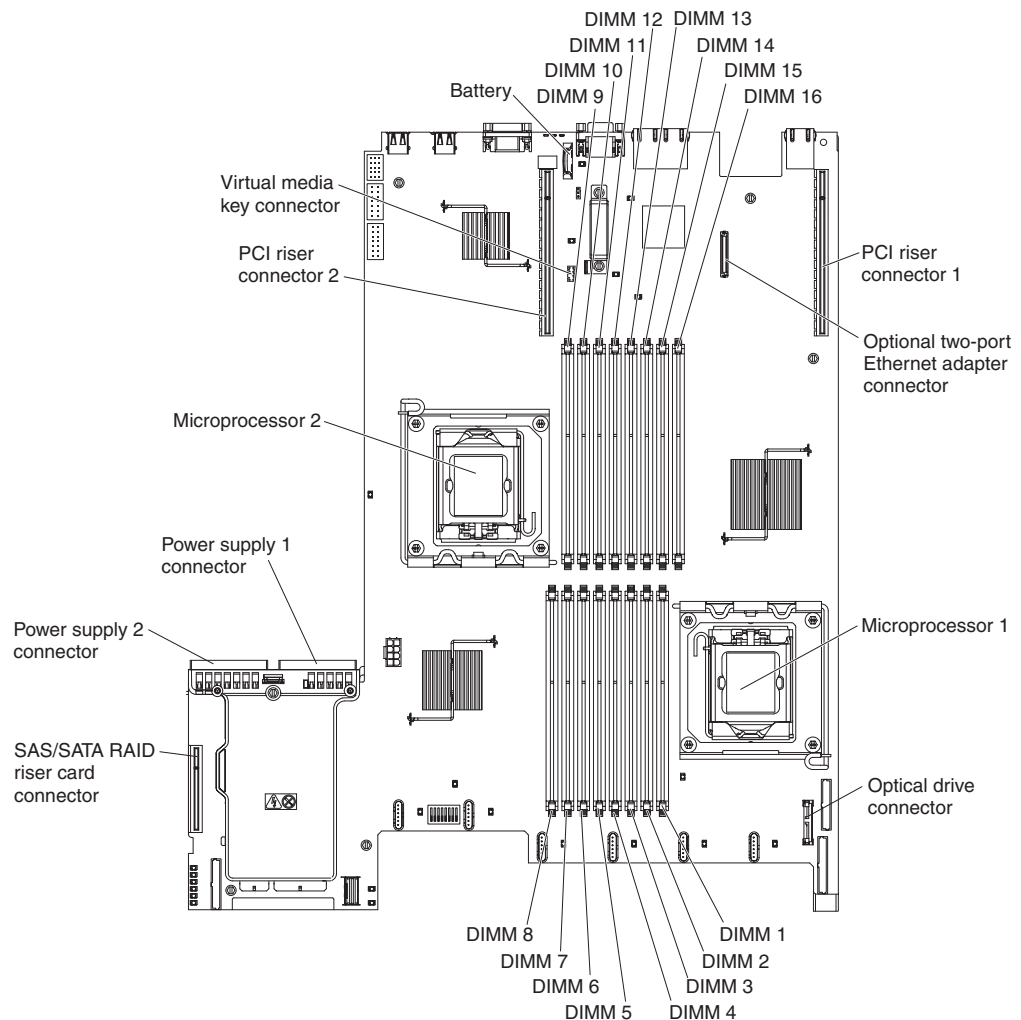
System-board LEDs

The following illustration shows the light-emitting diodes (LEDs) on the system board.



System-board optional device connectors

The following illustration shows the connectors on the system board for user-installable options.



Installation guidelines

Before you install optional devices, read the following information:

- Read the safety information that begins on page vii and the guidelines in “Working inside the server with the power on” on page 48, and “Handling static-sensitive devices” on page 48. This information will help you work safely.
- When you install your new server, take the opportunity to download and apply the most recent firmware updates. This step will help to ensure that any known issues are addressed and that your server is ready to function at maximum levels of performance. To download firmware updates for your server, complete the following steps:
 1. Go to <http://www.ibm.com/supportportal/>.
 2. Under **Product support**, click **System x**.
 3. Under **Popular links**, click **Software and device drivers**.
 4. Click **System x3550 M2** to display the matrix of downloadable files for the server.

For additional information about tools for updating, managing, and deploying firmware, see the System x and xSeries Tools Center at <http://publib.boulder.ibm.com/infocenter/toolsctr/v1r0/index.jsp>.

- Before you install optional hardware, make sure that the server is working correctly. Start the server, and make sure that the operating system starts, if an operating system is installed, or that a 19990305 error code is displayed, indicating that an operating system was not found but the server is otherwise working correctly. If the server is not working correctly, see the *Problem Determination and Service Guide* on the IBM System x Documentation CD for diagnostic information.
- Observe good housekeeping in the area where you are working. Place removed covers and other parts in a safe place.
- If you must start the server while the server cover is removed, make sure that no one is near the server and that no tools or other objects have been left inside the server.
- Do not attempt to lift an object that you think is too heavy for you. If you have to lift a heavy object, observe the following precautions:
 - Make sure that you can stand safely without slipping.
 - Distribute the weight of the object equally between your feet.
 - Use a slow lifting force. Never move suddenly or twist when you lift a heavy object.
 - To avoid straining the muscles in your back, lift by standing or by pushing up with your leg muscles.
- Make sure that you have an adequate number of properly grounded electrical outlets for the server, monitor, and other devices.
- Back up all important data before you make changes to disk drives.
- Have a small flat-blade screwdriver, a small Phillips screwdriver, and a T8 torx screwdriver available.
- You do not have to turn off the server to install or replace hot-swap power supplies, hot-swap fans, or hot-plug Universal Serial Bus (USB) devices. However, you must turn off the server before you perform any steps that involve removing or installing adapter cables and you must disconnect the power source from the server before you perform any steps that involve removing or installing a riser card.
- Blue on a component indicates touch points, where you can grip the component to remove it from or install it in the server, open or close a latch, and so on.
- Orange on a component or an orange label on or near a component indicates that the component can be hot-swapped, which means that if the server and operating system support hot-swap capability, you can remove or install the component while the server is running. (Orange can also indicate touch points on hot-swap components.) See the instructions for removing or installing a specific hot-swap component for any additional procedures that you might have to perform before you remove or install the component.
- When you are finished working on the server, reinstall all safety shields, guards, labels, and ground wires.
- For a list of supported optional devices for the server, see <http://www.ibm.com/servers/eserver/serverproven/compat/us/>.

System reliability guidelines

To help ensure proper system cooling and system reliability, make sure that the following requirements are met:

- Each of the drive bays has a drive or a filler panel and electromagnetic compatibility (EMC) shield installed in it.
- If the server has redundant power, each of the power-supply bays has a power supply installed in it.
- There is adequate space around the server to allow the server cooling system to work properly. Leave approximately 50 mm (2.0 in.) of open space around the front and rear of the server. Do not place objects in front of the fans. For proper cooling and airflow, replace the server cover before you turn on the server.
- You have followed the cabling instructions that come with optional adapters.
- You have replaced a failed fan within 48 hours.
- You have replaced a hot-swap fan within 30 seconds of removal.
- You have replaced a hot-swap drive within 2 minutes of removal.
- You do not operate the server without the air baffle installed. Operating the server without the air baffle might cause the microprocessor to overheat.
- Microprocessor socket 2 always contains either a microprocessor baffle or a microprocessor and heat sink.

Working inside the server with the power on

Attention: Static electricity that is released to internal server components when the server is powered-on might cause the server to halt, which might result in the loss of data. To avoid this potential problem, always use an electrostatic-discharge wrist strap or other grounding system when you work inside the server with the power on.

The server supports hot-plug, hot-add, and hot-swap devices and is designed to operate safely while it is turned on and the server cover is removed. Follow these guidelines when you work inside a server that is turned on:

- Avoid wearing loose-fitting clothing on your forearms. Button long-sleeved shirts before working inside the server; do not wear cuff links while you are working inside the server.
- Do not allow your necktie or scarf to hang inside the server.
- Remove jewelry, such as bracelets, necklaces, rings, and loose-fitting wrist watches.
- Remove items from your shirt pocket, such as pens and pencils, that could fall into the server as you lean over it.
- Avoid dropping any metallic objects, such as paper clips, hairpins, and screws, into the server.

Handling static-sensitive devices

Attention: Static electricity can damage the server and other electronic devices. To avoid damage, keep static-sensitive devices in their static-protective packages until you are ready to install them.

To reduce the possibility of damage from electrostatic discharge, observe the following precautions:

- Limit your movement. Movement can cause static electricity to build up around you.
- The use of a grounding system is recommended. For example, wear an electrostatic-discharge wrist strap, if one is available. Always use an electrostatic-discharge wrist strap or other grounding system when working inside the server with the power on.

- Handle the device carefully, holding it by its edges or its frame.
- Do not touch solder joints, pins, or exposed circuitry.
- Do not leave the device where others can handle and damage it.
- While the device is still in its static-protective package, touch it to an unpainted metal surface on the outside of the server for at least 2 seconds. This drains static electricity from the package and from your body.
- Remove the device from its package and install it directly into the server without setting down the device. If it is necessary to set down the device, put it back into its static-protective package. Do not place the device on the server cover or on a metal surface.
- Take additional care when handling devices during cold weather. Heating reduces indoor humidity and increases static electricity.

Removing the cover

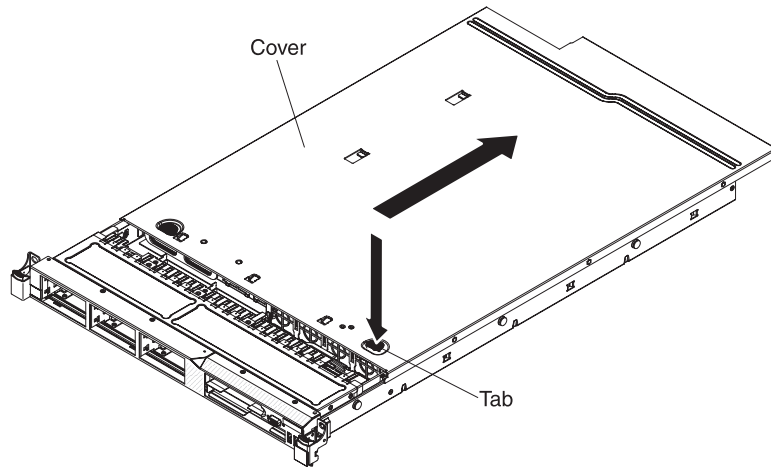
Important: Before you install optional hardware, make sure that the server is working correctly. Start the server, and make sure that the operating system starts, if an operating system is installed, or that a 19990305 error code is displayed, indicating that an operating system was not found but the server is otherwise working correctly. If the server is not working correctly, see the *Problem Determination and Service Guide* for diagnostic information.

To remove the server cover, complete the following steps:

1. Read the safety information that begins on page vii and “Installation guidelines” on page 46.
2. Turn off the server and peripheral devices and disconnect the power cords and all external cables, if necessary.

Note: When you disconnect the power source from the server, you lose the ability to view the LEDs because the LEDs are not lit when the power source is removed. Before you disconnect the power source, make a note of which LEDs are lit, including the LEDs that are lit on the operation information panel, on the light path diagnostics panel, and LEDs inside the server on the system board; then, see the *Problem Determination and Service Guide* for information about how to solve the problem.

3. If the server has been installed in a rack, slide the server out from the rack enclosure.
4. Press down firmly on the blue tab on the top of the cover (on the right side near the front of the server) and slide the cover toward the rear of the server until the cover has disengaged from the chassis.



5. Lift the server cover off the server and set it aside.

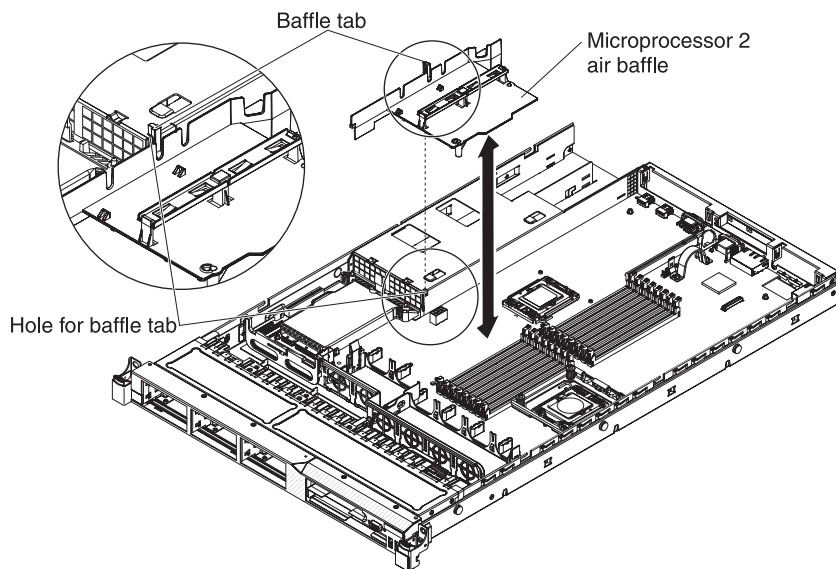
Attention: For proper cooling and airflow, replace the server cover before you turn on the server.

Removing the microprocessor 2 air baffle

To remove the microprocessor 2 air baffle, complete the following steps:

1. Read the safety information that begins on page vii and “Installation guidelines” on page 46.
2. Turn off the server and peripheral devices and disconnect the power cords and all external cables, if necessary; then, remove the cover (see “Removing the cover” on page 49).
3. Lift the air baffle up, making sure that the tab comes out of the hole on the side of the power-supply cage; then, remove it from the server and set it aside.

Attention: For proper cooling and airflow, replace the air baffle before you turn on the server. Operating the server with the air baffle removed might damage server components.



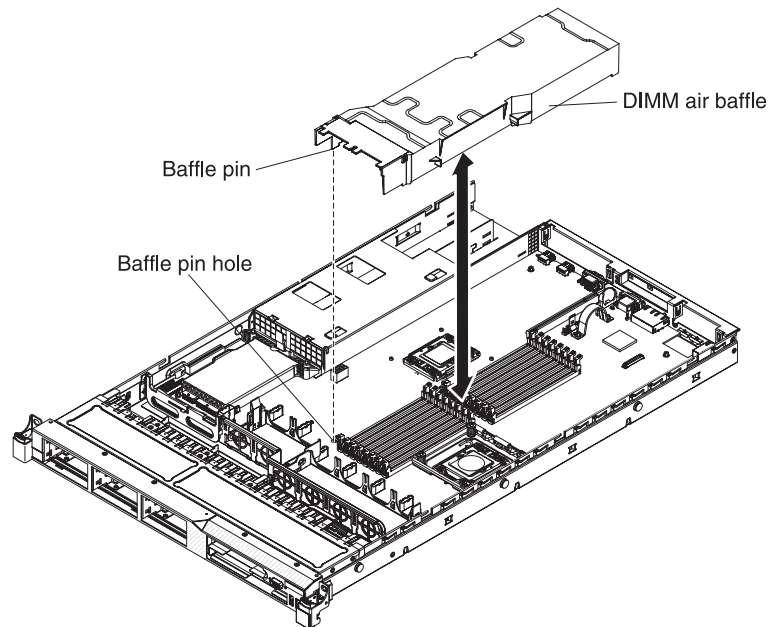
Removing the DIMM air baffle

To remove the DIMM air baffle, complete the following steps:

1. Read the safety information that begins on page vii and “Installation guidelines” on page 46.
2. Turn off the server and peripheral devices and disconnect the power cords and all external cables, if necessary; then, remove the cover (see “Removing the cover” on page 49).

Note: When you disconnect the power source from the server, you lose the ability to view the LEDs because the LEDs are not lit when the power source is removed. Before you disconnect the power source, make a note of which LEDs are lit, including the LEDs that are lit on the operation information panel, on the light path diagnostics panel, and LEDs inside the server on the system board; then, see the *Problem Determination and Service Guide* for information about how to solve the problem.

3. Grasp the DIMM air baffle and lift the baffle up, making sure that the pin comes out of the pin hole on the system board to the left of DIMM connector 8.



4. Remove it from the server and set it aside.

Attention: For proper cooling and airflow, replace the air baffle before you turn on the server. Operating the server with the air baffle removed might damage server components.

If you have other devices to install or remove, do so now. Otherwise, go to “Completing the installation” on page 86.

Installing a memory module

The following notes describe the types of dual inline memory modules (DIMMs) that the server supports and other information that you must consider when you install DIMMs (see “System-board optional device connectors” on page 46 for the location of the DIMM connectors):

- The server supports only industry-standard double-data-rate 3 (DDR3), 800, 1066, or 1333 MHz, PC3-10600R-999 (single-rank or dual-rank), registered, synchronous dynamic random-access memory (SDRAM) dual inline memory modules (DIMMs) with error correcting code (ECC). See <http://www.ibm.com/servers/eserver/serverproven/compat/us/> for a list of supported memory modules for the server.
- The specifications of a DDR3 DIMM are on a label on the DIMM, in the following format.

ggg eRxff-PC3-wwwwwm-aa-bb-cc

where:

ggg is the total capacity of the DIMM (for example, 1GB, 2GB, or 4GB)

e is the number of ranks

1 = single-rank

2 = dual-rank

4 = quad-rank

ff is the device organization (bit width)

4 = x4 organization (4 DQ lines per SDRAM)

8 = x8 organization

16 = x16 organization

wwwww is the DIMM bandwidth, in MBps

6400 = 6.40 GBps (PC3-800 SDRAMs, 8-byte primary data bus)

8500 = 8.53 GBps (PC3-1066 SDRAMs, 8-byte primary data bus)

10600 = 10.66 GBps (PC3-1333 SDRAMs, 8-byte primary data bus)

12800 = 12.80 GBps PC3-1600 SDRAMs, 8-byte primary data bus)

m is the DIMM type

E = Unbuffered DIMM (UDIMM) with ECC (x72-bit module data bus)

R = Registered DIMM (RDIMM)

U = Unbuffered DIMM with no ECC (x64-bit primary data bus)

aa is the CAS latency, in clocks at maximum operating frequency

bb is the JEDEC SPD Revision Encoding and Additions level

cc is the reference design file for the design of the DIMM

d is the revision number of the reference design of the DIMM

Note: To determine the type of a DIMM, see the label on the DIMM. The information on the label is in the format xxxxx nRxxx PC3-xxxxx-xx-xx-xxx. The numeral in the sixth numerical position indicates whether the DIMM is single-rank (n=1) or dual-rank (n=2).

- The following rules apply to single-rank and dual-rank DDR3 DIMM speed as it relates to the number of DIMMs in a channel:
 - When you install 1 DIMM per channel, the memory runs at 1333 MHz
 - When you install 2 DIMMs per channel, the memory runs at 1066 MHz
 - When you install 3 DIMMs per channel, the memory runs at 800 MHz
 - All channels in a server run at the fastest common frequency
 - Mixing registered and unbuffered DIMMs is not supported
- The maximum memory speed is determined by the combination of the microprocessor, DIMM speed, and the number of DIMMs installed in each channel.

Note: If you install two supported DDR3-1333 DIMMs in each channel on server models with an Intel Xeon X5570 microprocessor, you must use the ASU tool to set the server to operate at 1333 MHz in two-DIMM-per-channel (2DPC) configuration (see the *Problem Determination and Service Guide* for more information).

- The server supports a maximum of 16 single-rank or dual-rank DIMMs.
- The server supports three single-rank or dual-rank DIMMs per channel. The following table shows an example of the maximum amount of memory that you can install, using ranked DIMMs.

Table 9. Maximum memory installation using ranked DIMMs

Number of DIMMs	DIMM type	DIMM size	Total memory
16	Single-rank DIMMs	4 GB	64 GB
16	Dual-rank DIMMs	4 GB	64 GB
16	Dual-rank DIMMs	8 GB (when available)	128 GB

- The DIMM options that are available for the server are 1 GB, 2 GB, 4 GB, and 8 GB (when available). The server supports a minimum of 1 GB and a maximum of 128 GB of system memory.

Note: The amount of usable memory is reduced depending on the system configuration. A certain amount of memory must be reserved for system resources. To view the total amount of installed memory and the amount of configured memory, run the Setup utility. For additional information, see Chapter 3, “Configuring the server,” on page 91.

- A minimum of one DIMM must be installed for each microprocessor. For example, you must install a minimum of two DIMMs if the server has two microprocessors installed. However, to improve system performance, install a minimum of three DIMMs for each microprocessor.
- The maximum operating speed of the server is determined by the slowest DIMM installed in the server.
- The server comes with a minimum of two 1 GB DIMMs, installed in slots 3 and 6. When you install additional DIMMs, install them in the order shown in the following table to optimize system performance. In non-mirroring mode, all three channels on the memory interface for each microprocessor can be populated in any order and have no matching requirements.

Table 10. Non-mirroring (normal) mode DIMM installation sequence

Installed microprocessors	DIMM connector population sequence
Microprocessor socket 1	3, 6, 8, 2, 5, 7, 1, 4
Microprocessor socket 2	11, 14, 16, 10, 13, 15, 9, 12

- The server supports memory mirroring (mirroring mode):
 - Memory-mirroring mode replicates and stores data on two pairs of DIMMs within two channels simultaneously. If a failure occurs, the memory controller switches from the primary pair of memory DIMMs to the backup pair of DIMMs. To enable memory mirroring through the Setup utility, select **System Settings** → **Memory**. For more information, see “Using the Setup utility” on page 92. When you use the memory mirroring feature, consider the following information:
 - When you use memory mirroring, you must install a pair of DIMMs at a time. One DIMM must be in channel 0, and the mirroring DIMM must be in the same slot in channel 1. The two DIMMs in each pair must be identical in size, type, and rank (single or dual) , and organization, but not in speed. The channels run at the speed of the slowest DIMM in any of the channels.
 - Channel 2, DIMM connectors 8 ,7, 15, and 16 are not used in memory-mirroring mode.
 - The maximum available memory is reduced to half of the installed memory when memory mirroring is enabled. For example, if you install 64 GB of memory, only 32 GB of addressable memory is available when you use memory mirroring.

The following diagram shows the memory channel interface layout with the DIMM installation sequence for mirroring mode. The numbers within the boxes indicate the DIMM population sequence in pairs within the channels, and the numbers next to the boxes indicate the DIMM connectors within the channels. For example, the following illustration shows the first pair of DIMMs (indicated by ones (1) inside the boxes) should be installed in DIMM connectors 3 on channel 0 and DIMM connector 6 on channel 1. DIMM connectors 7, 8, 15, and 16 on channel 2 are not used in memory-mirroring mode.

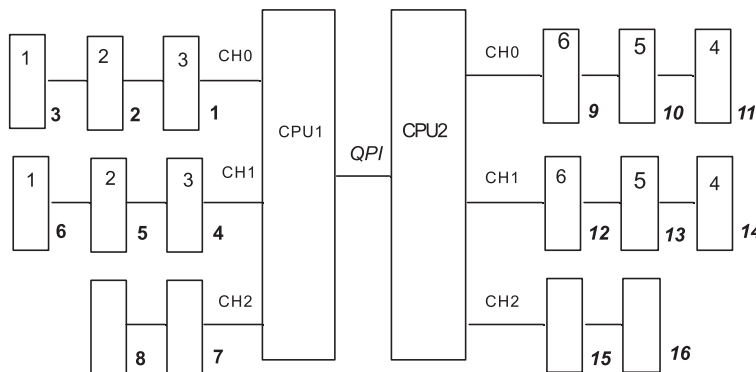


Figure 1. Memory channel interface layout

The following table lists the DIMM connectors on each memory channel.

Table 11. Connectors on each memory channel

Memory channel	DIMM connectors
Channel 0	1, 2, 3, 9, 10, 11

Table 11. Connectors on each memory channel (continued)

Memory channel	DIMM connectors
Channel 1	4, 5, 6, 12, 13, 14
Channel 2	7, 8, 15, 16

The following illustration shows the memory connector layout that is associated with each microprocessor. For example, DIMM connectors 9, 10, 11, 12, 13, 14, 15, and 16 (DIMM connectors are shown underneath the boxes) are associated with microprocessor 2 slot (CPU2) and DIMM connectors 1, 2, 3, 4, 5, 6, 7, and 8 are associated with microprocessor 1 slot (CPU1). The numbers within the boxes indicates the installation sequence of the DIMM pairs. For example, the first DIMM pair (indicated within the boxes by ones (1)) should be installed in DIMM connectors 3 and 6, which is associated with microprocessor 1 (CPU1).

Note: You can install DIMMs for microprocessor 2 as soon as you install microprocessor 2; you do not have to wait until all of the DIMM slots for microprocessor 1 are filled.

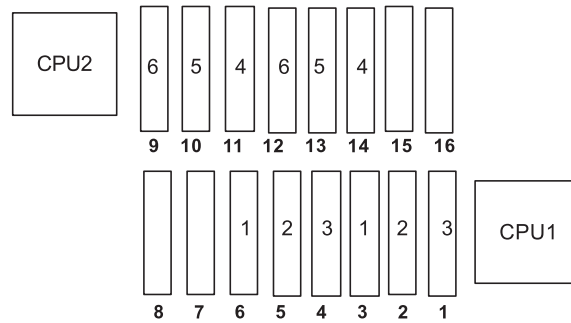


Figure 2. Memory connectors associated with each microprocessor for memory mirroring

The following table lists the installation sequence for installing DIMMs in memory-mirroring mode.

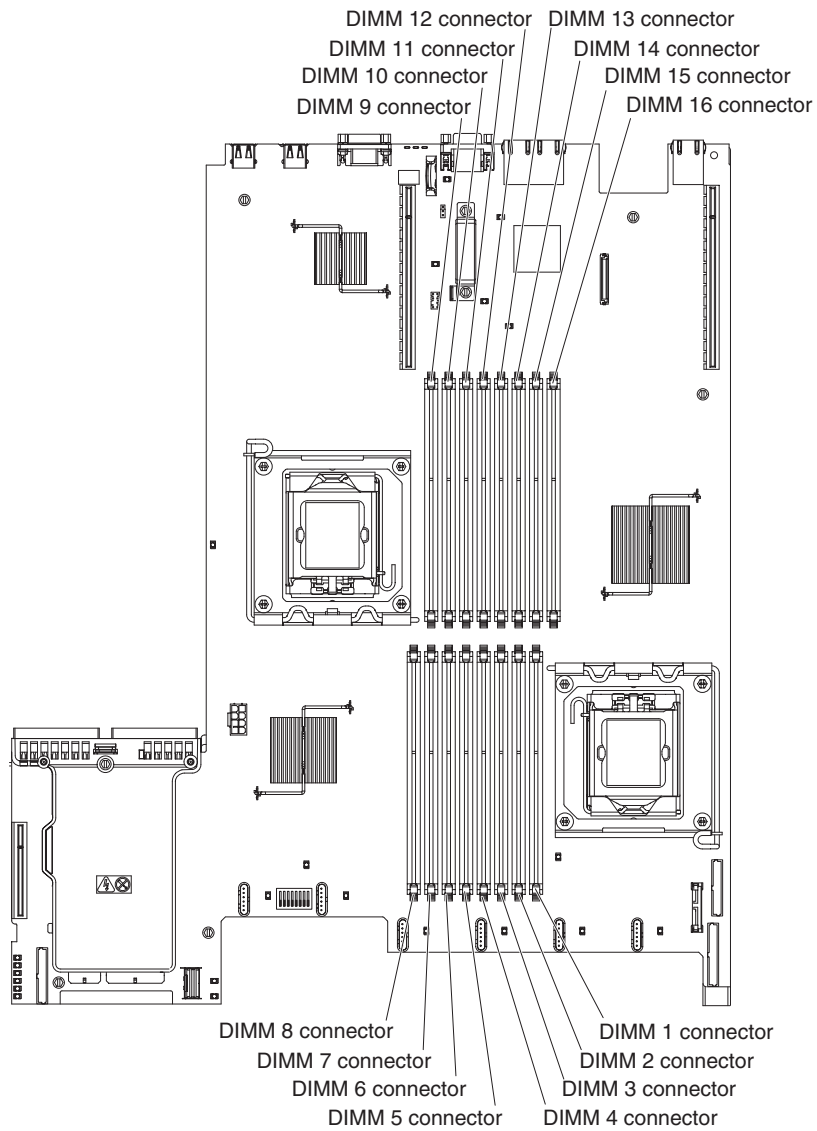
Table 12. Memory-mirroring mode DIMM population sequence

DIMMs	Number of installed microprocessors	DIMM connector
First pair of DIMMs	1	3, 6
Second pair of DIMMs	1	2, 5
Third pair of DIMMs	1	1, 4
Fourth pair of DIMMs	2	14, 11
Fifth pair of DIMMs	2	13, 10
Sixth pair of DIMMs	2	12, 9

Note: DIMM connectors 7, 8, 15, and 16 are not used in memory-mirroring mode.

- When you install or remove DIMMs, the server configuration information changes. When you restart the server, the system displays a message that indicates that the memory configuration has changed.

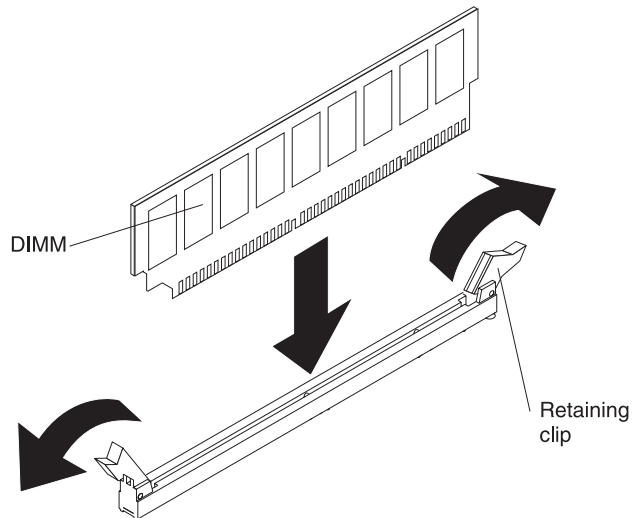
The following illustration shows the location of the DIMMs connectors on the system board.



To install a DIMM, complete the following steps:

1. Read the safety information that begins on page vii and “Installation guidelines” on page 46.
2. Turn off the server and peripheral devices and disconnect the power cords and all external cables, if necessary.
3. Remove the cover (see “Removing the cover” on page 49).
4. Open the retaining clip on each end of the DIMM connector.

Attention: To avoid breaking the retaining clips or damaging the DIMM connectors, open and close the clips gently.



5. Touch the static-protective package that contains the DIMM to any unpainted metal surface on the outside of the server. Then, remove the DIMM from the package.
6. Turn the DIMM so that the DIMM keys align correctly with the connector.
7. Insert the DIMM into the connector by aligning the edges of the DIMM with the slots at the ends of the DIMM connector (see “System-board optional device connectors” on page 46 for the locations of the DIMM connectors).
8. Firmly press the DIMM straight down into the connector by applying pressure on both ends of the DIMM simultaneously. The retaining clips snap into the locked position when the DIMM is firmly seated in the connector.

Note: If there is a gap between the DIMM and the retaining clips, the DIMM has not been correctly inserted; open the retaining clips, remove the DIMM, and then reinsert it.

If you have other devices to install or remove, do so now. Otherwise, go to “Completing the installation” on page 86.

Installing drives

The following notes describe the type of drives that the server supports and other information that you must consider when you install a drive. For a list of supported drives, see <http://www.ibm.com/servers/eserver/serverproven/compat/us/>.

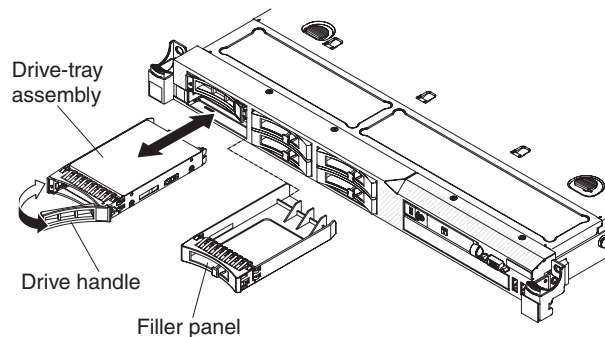
- Locate the documentation that comes with the drive and follow those instructions in addition to the instructions in this chapter.
- Make sure that you have all the cables and other equipment that are specified in the documentation that comes with the drive.
- Select the bay in which you want to install the drive.
- The server supports one ultra-slim SATA optical drive.
- Check the instructions that come with the drive to determine whether you have to set any switches or jumpers on the drive. If you are installing a SAS or SATA hard disk drive, be sure to set the SAS or SATA ID for that device.
- The hot-swap server models support six 2.5-inch hot-swap SAS or hot-swap SATA hard disk drives. The simple-swap server models support four 2.5-inch simple-swap SATA hard disk drives.
- You can mix SAS and SATA hot-swap hard disk drives in the same server as long as they are not on the same array.

- The electromagnetic interference (EMI) integrity and cooling of the server are protected by having all bays and PCI and PCI Express slots covered or occupied. When you install a drive, PCI, or PCI Express adapter, save the EMC shield and filler panel from the bay or PCI adapter or PCI Express adapter slot cover in the event that you later remove the device.
- For a complete list of supported optional devices for the server, see <http://www.ibm.com/servers/eserver/serverproven/compat/us/>.

Installing a hot-swap hard disk drive

To install a 2.5-inch hot-swap SAS or SATA hard disk drive, complete the following steps.

Note: If you have only one hard disk drive, you must install it in the upper-left bay.



1. Read the safety information that begins on page vii and “Installation guidelines” on page 46.
2. Remove the filler panel from the empty drive bay.
3. Touch the static-protective package that contains the drive to any unpainted metal surface on the server; then, remove the drive from the package and place it on a static-protective surface.
4. Install the hard disk drive in the drive bay:
 - a. Make sure that the tray handle is in the open (unlocked) position.
 - b. Align the drive assembly with the guide rails in the bay.
 - c. Gently push the drive assembly into the bay until the drive stops.
 - d. Rotate the tray handle to the closed (locked) position.
 - e. Check the hard disk drive status LED to verify that the hard disk drive is operating correctly. If the amber hard disk drive status LED for a drive is lit continuously, that drive is faulty and must be replaced. If the green hard disk drive activity LED is flashing, the drive is being accessed.

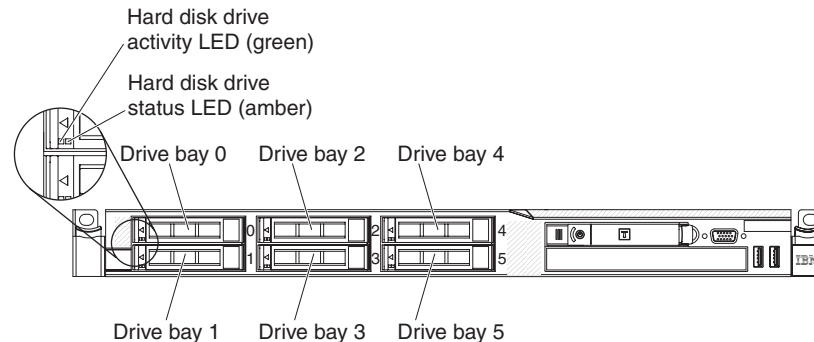
Note: If the server is configured for RAID operation using a ServeRAID adapter, you might have to reconfigure your disk arrays after you install hard disk drives. See the ServeRAID adapter documentation for additional information about RAID operation and complete instructions for using the ServeRAID adapter.

5. If you are installing additional hot-swap hard disk drives, do so now.

If you have other devices to install or remove, do so now. Otherwise, go to “Completing the installation” on page 86.

IDs for hot-swap hard disk drives

The hot-swap-drive ID that is assigned to each drive is printed on the front of the server. The following illustration shows the location of the IDs of the hard disk drives. The ID numbers and the drive bay numbers are the same.



Installing a simple-swap hard disk drive

Some server models support four 2.5-inch simple-swap SATA hard disk drives that are accessible from the front of the server. You must turn off the server before installing simple-swap drives in the server. Before you install a simple-swap SATA hard disk drive, read the following information. For a list of supported hard disk drives, see <http://www.ibm.com/servers/eserver/serverproven/compat/us/>.

- Locate the documentation that comes with the hard disk drive and follow those instructions in addition to the instructions in this chapter.
- Make sure that you have all the cables and other equipment that are specified in the documentation that comes with the drive.
- Select the bay in which you want to install the drive.
- Check the instructions that come with the drive to determine whether you have to set any switches or jumpers on the drive. If you are installing a SATA device, be sure to set the SATA ID for that device.
- You can only install four 2.5-inch simple-swap SATA hard disk drives in the server (only four drives are supported). Do not install hot-swap drives into a simple-swap server model, it is not supported.
- The sequence for installing the hard disk drives is to install the drives starting from bay 0, 1, 2, and 3.
- Simple-swap models of the server do not support the Hypervisor USB flash device and the installation of the SAS/SATA riser card is not supported.
- The simple-swap server models are available only in non-RAID configurations.
- The electromagnetic interference (EMI) integrity and cooling of the server are protected by having all bays and PCI and PCI Express slots covered or occupied. When you install a drive, PCI, or PCI Express adapter, save the EMC shield and filler panel from the bay or PCI or PCI Express adapter slot cover in the event that you later remove the device.
- For a complete list of supported optional devices for the server, see <http://www.ibm.com/servers/eserver/serverproven/compat/us/>.

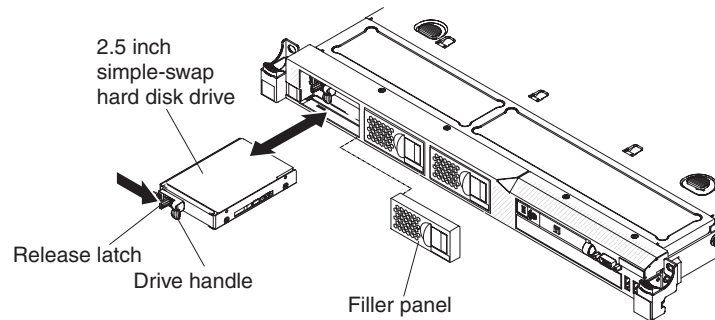
To install a 2.5-inch simple-swap SATA hard disk drive, complete the following steps:

1. Read the safety information that begins on page vii and “Installation guidelines” on page 46.

- Turn off the server and peripheral devices and disconnect the power cords and all external cables.

Note: When you disconnect the power source from the server, you lose the ability to view the LEDs because the LEDs are not lit when the power source is removed. Before you disconnect the power source, make a note of which LEDs are lit, including the LEDs that are lit on the operation information panel, on the light path diagnostics panel, and LEDs inside the server on the system board; then, see the *Problem Determination and Service Guide* for information about how to solve the problem.

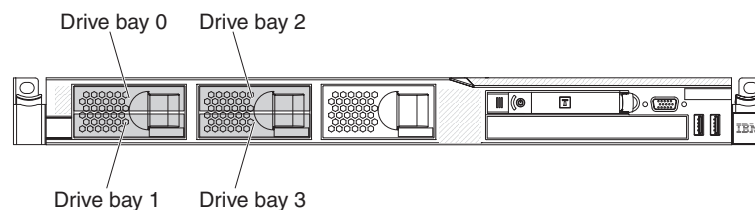
- Remove the filler panel from the empty drive bay.
- Touch the static-protective package that contains the drive to any unpainted metal surface on the server; then, remove the drive from the package and place it on a static-protective surface.
- Install the hard disk drive in the drive bay:
 - Grasp the black drive handle and slide the blue release latch to the right and align the drive assembly with the guide rails in the bay.



- Gently push the drive assembly into the bay until the drive stops.
- Reinstall the drive bay filler panel that you remove earlier.
 - If you are installing additional simple-swap hard disk drives, do so now.
 - Turn on the peripheral devices and the server.

IDs for simple-swap hard disk drives

The simple-swap-drive ID that is assigned to each drive is printed on the front of the server. The following illustration shows the location of the IDs of the hard disk drives. The ID numbers and the drive bay numbers are the same.



Installing an optional CD/DVD drive

To install an optional CD/DVD drive, complete the following steps:

- Read the safety information that begins on page vii and “Installation guidelines” on page 46.
- Turn off the server and peripheral devices and disconnect the power cords and all external cables.

Note: When you disconnect the power source from the server, you lose the ability to view the LEDs because the LEDs are not lit when the power source is removed. Before you disconnect the power source, make a note of which LEDs are lit, including the LEDs that are lit on the operation information panel, on the light path diagnostics panel, and LEDs inside the server on the system board; then, see the *Problem Determination and Service Guide* for information about how to solve the problem.

3. Remove the cover (see “Removing the cover” on page 49).
4. Disconnect the optical drive cable from the system board.
5. Remove the DVD drive filler if it is installed. locate the blue release tab on the rear of the DVD drive filler; then, while you press the tab, push the DVD drive filler out of the drive bay. Save the DVD drive filler for future use.
6. Remove the retention clip from the side of the DVD drive filler.

Note: If you are installing a drive that contains a laser, observe the following safety precaution.

Statement 3:



CAUTION:

When laser products (such as CD-ROMs, DVD drives, fiber optic devices, or transmitters) are installed, note the following:

- Do not remove the covers. Removing the covers of the laser product could result in exposure to hazardous laser radiation. There are no serviceable parts inside the device.
- Use of controls or adjustments or performance of procedures other than those specified herein might result in hazardous radiation exposure.



DANGER

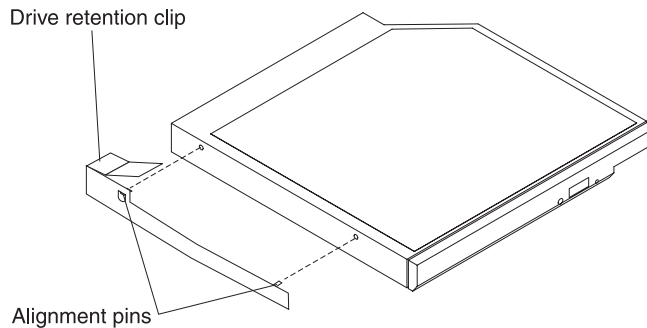
Some laser products contain an embedded Class 3A or Class 3B laser diode. Note the following.

Laser radiation when open. Do not stare into the beam, do not view directly with optical instruments, and avoid direct exposure to the beam.

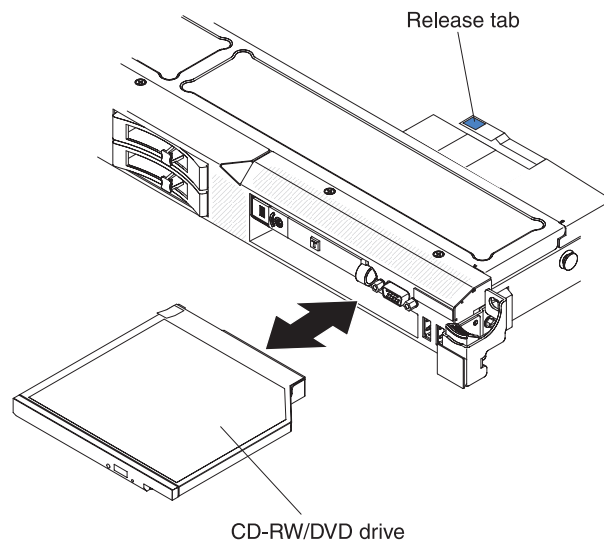


Class 1 Laser Product
Laser Klasse 1
Laser Klass 1
Luokan 1 Laserlaite
Appareil À Laser de Classe 1

7. Touch the static-protective package that contains the new optical drive to any unpainted metal surface on the server; then, remove the optical drive from the package and place it on a static-protective surface.
8. Follow the instructions that come with the drive to set any jumpers or switches.
9. Attach the drive retention clip that you removed from the drive filler panel to the side of the new drive.



10. Align the drive in the drive bay and slide the drive into the CD/DVD drive bay until the drive clicks into place.



11. Connect the drive cable to the system board.

If you have other devices to install or remove, do so now. Otherwise, go to “Completing the installation” on page 86.

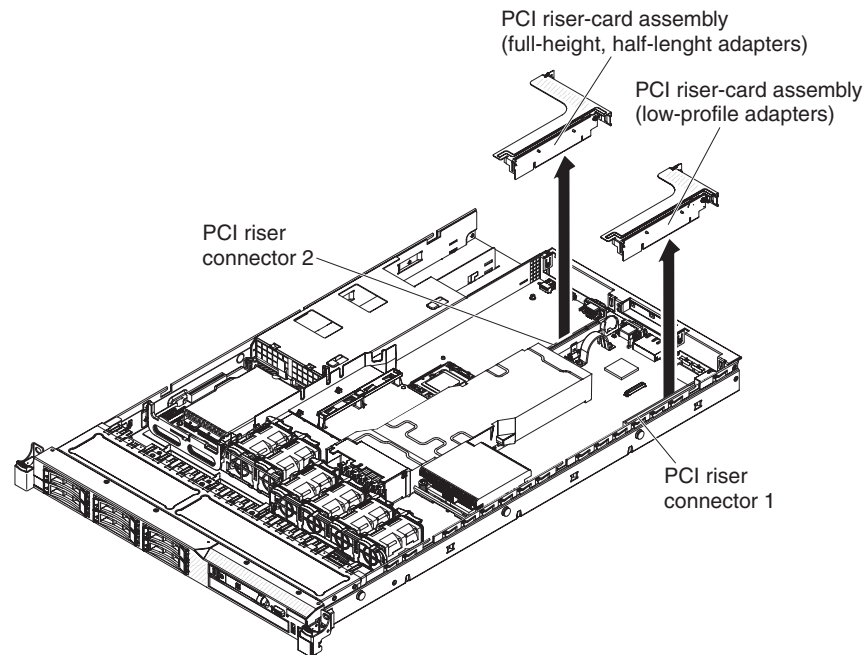
Replacing a PCI riser-card assembly

To replace a PCI riser-card assembly, complete the following steps:

1. Read the safety information that begins on page vii and the “Installation guidelines” on page 46.
2. Turn off the server and peripheral devices and disconnect the power cords and all external cables.

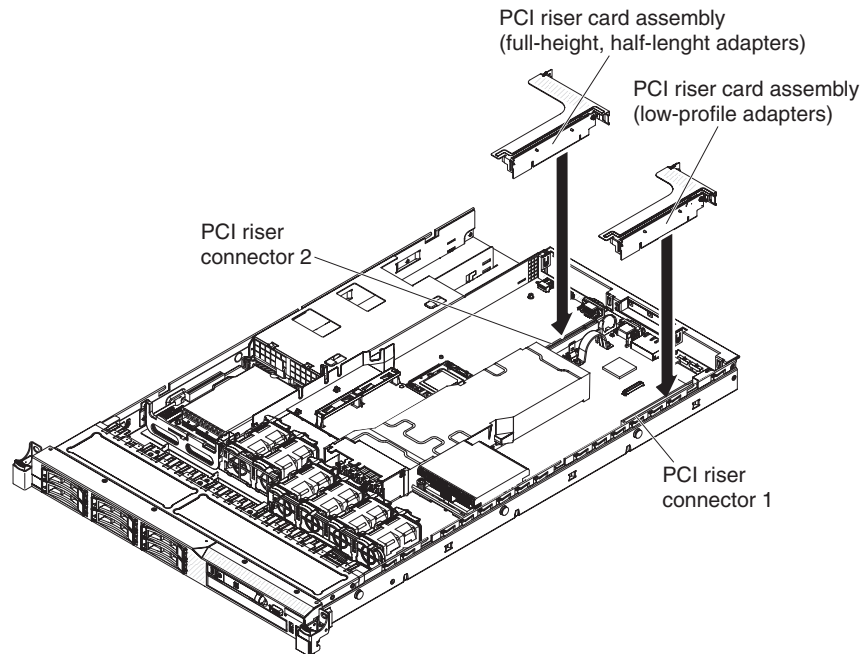
Note: When you disconnect the power source from the server, you lose the ability to view the LEDs because the LEDs are not lit when the power source is removed. Before you disconnect the power source, make a note of which LEDs are lit, including the LEDs that are lit on the operation information panel, on the light path diagnostics panel, and LEDs inside the server on the system board; then, see the *Problem Determination and Service Guide* for information about how to solve the problem.

3. Remove the cover (see “Removing the cover” on page 49).
4. If an adapter is installed in the riser-card assembly, disconnect any cables that are connected to the adapter.
5. Grasp the rear of the riser-card assembly from the rear and lift it out of the PCI riser-card slot on the system board.



6. Remove the adapter, if one is present, from the riser-card assembly.
7. Set the adapter and riser-card assembly aside.
8. Install the adapter in the new PCI riser-card assembly (see “Installing an adapter” on page 64).
9. Set any jumpers or switches on the adapter as directed by the adapter manufacturer.

- Align the PCI riser-card assembly with the PCI slot connector on the system board; then, press down firmly until the riser-card assembly is seated correctly in the connector on the system board.



Installing an adapter

The following notes describe the types of adapters that the server supports and other information that you must consider when you install an adapter:

- Locate the documentation that comes with the adapter and follow those instructions in addition to the instructions in this section.
- The server provides one SAS/SATA RAID riser-card slot on the system board. See “System-board optional device connectors” on page 46 for the location of the SAS/SATA RAID riser-card slot. You can replace the IBM ServeRAID-BR10i SAS/SATA adapter with the optional IBM ServeRAID-MR10i SAS/SATA adapter in the slot. The ServeRAID-BR10i adapter comes installed on standard models of the server and supports RAID levels 0, 1, and 1E. The optional ServeRAID-MR10i adapter can be purchased and supports RAID levels 0, 1, 5, 6, 10, 50, and 60. For configuration information, see the ServeRAID documentation at <http://www.ibm.com/supportportal/>,

To ensure that any of your ServeRAID 10i, 10is, or 10M adapters function properly on UEFI-based servers, make sure that the adapter firmware level is updated to at least 11.x.x-XXX, and the supporting drivers.

Attention: Some cluster solutions require specific code levels or coordinated code updates. If the device is part of a cluster solution, verify that the latest level of code is supported for the cluster solution before you update the code.

- Do not set the maximum digital video adapter resolution above 1600 x 1200 at 75 Hz for an LCD monitor. This is the highest resolution that is supported for any add-on video adapter that you install in the server.
- Any high-definition video-out connector or stereo connector on any add-on video adapter is not supported
- The server does not support full-length adapters.

- When you install any PCI adapter, the power cords must be disconnected from the power source before you remove the PCI Express riser-card assembly and the PCI-X riser-card assembly. Otherwise, the active power management event signal will be disabled by the system-board logic, and the Wake on LAN feature might not work. However, after the server is powered-on locally, the active power manager active power management event signal will be enabled by the system-board logic.
- If you switch the PCI adapter from slot 1 riser assembly to slot 2, you will need to remove the screw from the standard bracket and then replace the standard bracket with the low-profile bracket.
- The server provides two PCI riser-card slots on the system board. Each slot comes with a PCI riser assembly with a bracket installed. The following information describes the PCI riser-card slots and the type of adapters that the riser cards support:
 - Standard models of the server come with two PCI Express riser-card assemblies installed. If you want to replace them with PCI-X riser-card assemblies, you must order the PCI-X riser-card assembly option, which includes the bracket.
 - A PCI Express riser-card assembly has a black connector and supports PCI Express adapters, and a PCI-X riser-card assembly has a white (light in color) connector and supports PCI-X adapters.
 - PCI riser slot 1 (the farthest slot from the power supplies). This slot supports only low-profile adapters.
 - PCI riser slot 2 (the closest slot to the power supplies). This slot supports only full-height, half-length adapters.

The following table lists the supported configurations for the PCI riser-card slot.

Table 13. PCI riser slots supported configurations

PCI riser-card slot number	Configuration 1	Configuration 2	Configuration 3	Configuration 4
Slot 1	PCI Express Gen 2 (x16) card with a PCI Express riser card with a low-profile bracket	PCI Express Gen 2 (x16) card with a PCI Express riser card with a low-profile bracket	PCI-X 1.0a 64-bit/133 MHz card with a PCI-X riser card with a low-profile bracket	PCI-X 1.0a 64-bit/133 MHz card with a PCI-X riser card with a low-profile bracket
Slot 2	PCI Express Gen 2 (x16) card with a PCI Express riser card with a standard bracket	PCI-X 1.0a 64-bit/133 MHz card with a PCI-X riser card with a standard bracket	PCI Express Gen 2 (x16) card with a PCI Express riser card with a standard bracket	PCI-X 1.0a 64-bit/133 MHz card with a PCI-X riser card with a standard bracket

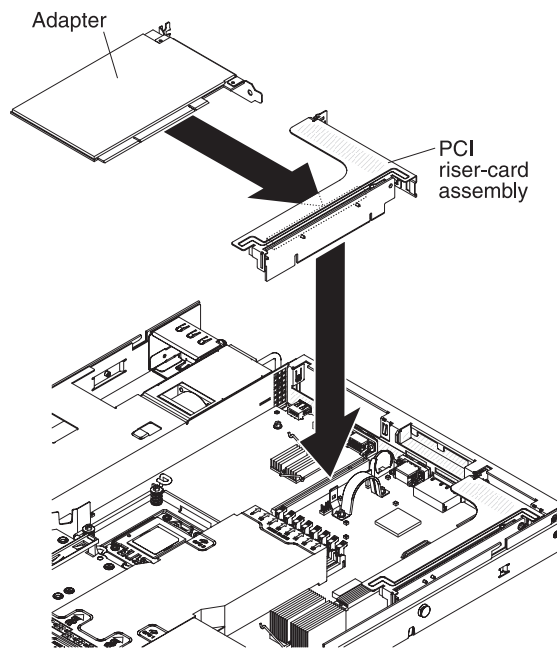
To install an adapter, complete the following steps:

Notes:

1. The instructions in this section apply to any PCI adapter (for example, video graphics adapters or network adapters).
2. Do not set the maximum digital video adapter resolution above 1600 x 1200 at 75 Hz for an LCD monitor. This is the highest resolution that is supported for any add-on video adapter that you install in the server.

3. Any high-definition video-out connector or stereo connector on any add-on video adapter is not supported
1. Read the safety information that begins on page vii and the “Installation guidelines” on page 46.
2. Turn off the server and peripheral devices and disconnect the power cords and all external cables; then, remove the server cover (see “Removing the cover” on page 49).
3. Follow the cabling instructions, if any come with the adapter. Route the adapter cables before you install the adapter.
4. Insert the adapter into the riser-card assembly, aligning the edge connector on the adapter with the connector on the riser-card assembly. Press the edge of the connector *firmly* into the riser-card assembly. Make sure that the adapter snaps into the riser-card assembly securely.

Attention: When you install an adapter, make sure that the adapter is correctly seated in the riser-card assembly and that the riser-card assembly is securely seated in the riser-card connector on the system board before you turn on the server. An incorrectly seated adapter might cause damage to the system board, the riser-card assembly, or the adapter.



5. Install the riser-card assembly in the server (see “Replacing a PCI riser-card assembly” on page 63).
6. Perform any configuration tasks that are required for the adapter.

If you have other devices to install or remove, do so now. Otherwise, go to “Completing the installation” on page 86.

Replacing a PCI Express assembly with a PCI-X assembly

The server comes with two PCI riser-card assemblies. You can replace a PCI Express riser-card assembly with a PCI-X riser-card assembly.

To replace a PCI Express riser-card assembly with a PCI-X riser-card assembly, complete the following steps:

1. Read the safety information that begins on page vii and the “Installation guidelines” on page 46.
2. Turn off the server and disconnect the power cords and all external cables, if necessary; then, remove the server cover (see “Removing the cover” on page 49).

Note: When you disconnect the power source from the server, you lose the ability to view the LEDs because the LEDs are not lit when the power source is removed. Before you disconnect the power source, make a note of which LEDs are lit, including the LEDs that are lit on the operation information panel, on the light path diagnostics panel, and LEDs inside the server on the system board; then, see the *Problem Determination and Service Guide* for information about how to solve the problem.

3. Remove the PCI Express riser-card assembly from the system board:
 - a. If an adapter is installed in the riser-card assembly, disconnect any cables that are connected to the adapter.
 - b. Grasp the riser-card assembly at the rear edge and lift it from the riser-card connector on the system board.
 - c. Remove the adapter, if one is present, from the riser-card assembly.
 - d. Store the riser-card assembly and the adapter in a safe place for possible future use.
4. Install a PCI-X adapter into the new PCI-X riser-card assembly. See “Installing an adapter” on page 64 for more information. Set any jumpers or switches on the adapter as directed by the adapter manufacturer.

Note: You might have to replace the brackets when you replace a PCI Express assembly with a PCI-X assembly.

5. Insert the PCI-X riser-card assembly into the riser-card connector on the system board. Make sure that it is fully seated.

If you have other devices to install or remove, do so now. Otherwise, go to “Completing the installation” on page 86.

Replacing a PCI-X assembly with a PCI Express assembly

The server comes with two PCI riser-card assemblies. You can replace a PCI-X riser-card assembly with a PCI Express riser-card assembly.

To replace a PCI-X riser-card assembly with a PCI Express riser-card assembly, complete the following steps:

1. Read the safety information that begins on page vii and the “Installation guidelines” on page 46.
2. Turn off the server and disconnect the power cords and all external cables, if necessary; then, remove the server cover (see “Removing the cover” on page 49).

Note: When you disconnect the power source from the server, you lose the ability to view the LEDs because the LEDs are not lit when the power source is removed. Before you disconnect the power source, make a note of which LEDs are lit, including the LEDs that are lit on the operation information panel, on the light path diagnostics panel, and

LEDs inside the server on the system board; then, see the *Problem Determination and Service Guide* for information about how to solve the problem.

3. Remove the PCI-X riser-card assembly from the system board:
 - a. If an adapter is installed in the riser-card assembly, disconnect any cables that are connected to the adapter.
 - b. Grasp the riser-card assembly at the rear edge and lift it from the riser-card connector on the system board.
 - c. Remove the adapter, if one is present, from the riser-card assembly.
 - d. Store the riser-card assembly and the adapter in a safe place for possible future use.
4. Install a PCI Express adapter in the PCI Express riser-card assembly. See “Installing an adapter” on page 64 for more information. Set any jumpers or switches on the adapter as directed by the adapter manufacturer.

Note: You might have to replace the bracket when you replace a PCI-X assembly with a PCI Express assembly.

5. Insert the PCI Express riser-card assembly into the riser-card connector on the system board. Make sure that it is fully seated.

If you have other devices to install or remove, do so now. Otherwise, go to “Completing the installation” on page 86.

Replacing an IBM ServeRAID-BR10i SAS/SATA Controller

Some server models come with an IBM ServeRAID-BR10i SAS/SATA Controller installed. The adapter can be installed only in the dedicated slot on the SAS/SATA RAID riser-card assembly on the system board (see “System-board optional device connectors” on page 46 for the location of the connector). Use the connector on the SAS/SATA RAID riser-card assembly for the RAID adapters. The IBM ServeRAID-BR10i SAS/SATA adapter enables integrated RAID levels 0, 1, and 1E capability on hot-swap hard disk drives. For configuration information, see the ServeRAID documentation at <http://www.ibm.com/supportportal/>. To install the adapter if your server model did not come with this adapter, complete the following steps to install an IBM ServeRAID-BR10i SAS/SATA adapter.

Important: To ensure that any of your ServeRAID 10i, 10is, or 10M adapters function properly on UEFI-based servers, make sure that the adapter firmware level is updated to at least 11.x.x-XXX , and the supporting drivers.

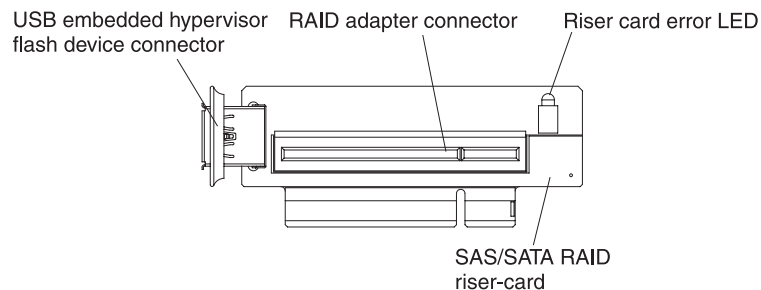
Attention: Some cluster solutions require specific code levels or coordinated code updates. If the device is part of a cluster solution, verify that the latest level of code is supported for the cluster solution before you update the code.

1. Read the safety information that begins on page vii and “Installation guidelines” on page 46.
2. Turn off the server and peripheral devices and disconnect the power cords.

Note: When you disconnect the power source from the server, you lose the ability to view the LEDs because the LEDs are not lit when the power source is removed. Before you disconnect the power source, make a note of which LEDs are lit, including the LEDs that are lit on the operation information panel, on the light path diagnostics panel, and

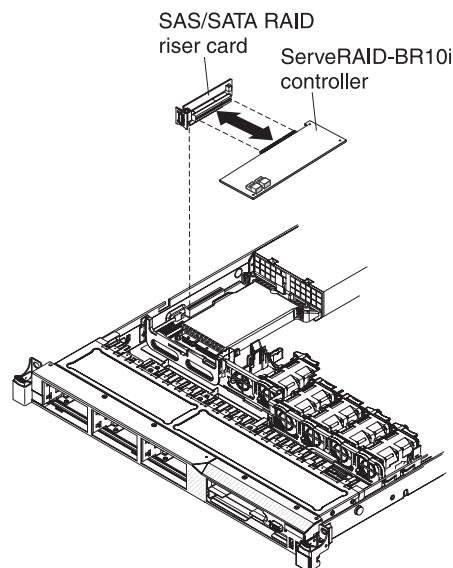
LEDs inside the server on the system board; then, see the *Problem Determination and Service Guide* for information about how to solve the problem.

3. Remove the cover (see “Removing the cover” on page 49).
4. Disconnect the signal cables and power cables from the existing SAS/SATA adapter (if one is installed)
5. Grasp the end of the SAS/SATA adapter next to the power-supply cage while you press the black plastic tab (next to the power-supply cage) toward the power supply.
6. Pull up on the SAS/SATA adapter until the SAS/SATA RAID riser-card assembly disengages from the connector on the system board.
7. Grasp the SAS/SATA adapter and pull it out of the connector on the SAS/SATA RAID riser-card assembly.
8. Place the ServeRAID-BR10i SAS/SATA adapter into a static-protective package and put it in a safe place.
9. Touch the static-protective package that contains the new ServeRAID-BR10i SAS/SATA adapter to any unpainted surface on the outside of the server; then, grasp the adapter by the top edge or upper corners of the adapter and remove it from the package.
10. Align the ServeRAID-BR10i SAS/SATA adapter so that the keys align correctly with the connector on the SAS/SATA RAID riser-card assembly.

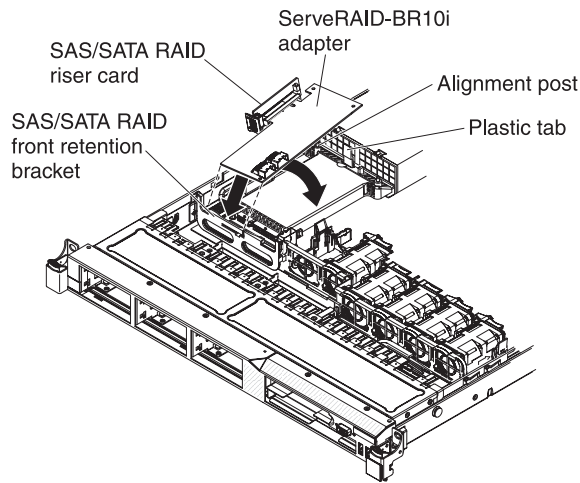


11. Insert the SAS/SATA adapter into the connector on the SAS/SATA RAID riser-card assembly until it is firmly seated.

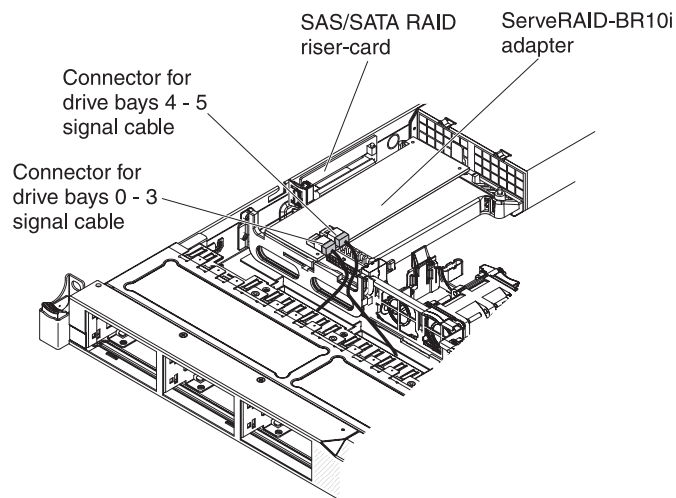
Attention: Incomplete insertion might cause damage to the server or the adapter.



12. Tilt the SAS/SATA RAID riser-card assembly slightly and insert the end of the adapter in the slot on the retention bracket as shown in the following illustration. Make sure that the SAS/SATA RAID riser-card assembly keys align correctly with the connector on the system board and press down on the assembly until it is seated firmly into the connector on the system board.



13. Route the signal cables from the drive backplane over the blue adapter retention bracket as shown in the following illustration.



14. Take the signal cable that is attached to the drive backplane for drive bays 4 and 5 and connect it to the SAS/SATA RAID adapter connector that is closest to the power supply cage. Connect the other signal cable so that is attached to the drive backplane for drive bays 0 through 3 and connect it to the other connector on the adapter.

Note: When you restart the server, you are prompted to import the existing RAID configuration to the new ServeRAID adapter.

If you have other devices to install or remove, do so now. Otherwise, go to “Completing the installation” on page 86.

Installing an optional IBM ServeRAID-MR10i SAS/SATA Controller

You can purchase an optional IBM ServeRAID-MR10i SAS/SATA controller. It can be installed only in the dedicated slot on the SAS/SATA RAID riser-card assembly on the system board (see “System-board optional device connectors” on page 46 for the location of the connector). Use the connector on the SAS/SATA RAID riser-card assembly to install the RAID adapters. For configuration information, see the ServeRAID documentation at <http://www.ibm.com/supportportal/>.

Important: To ensure that any of your ServeRAID 10i, 10is, or 10M adapters function properly on UEFI-based servers, make sure that the adapter firmware level is updated to at least 11.x.x-XXX , and the supporting drivers.

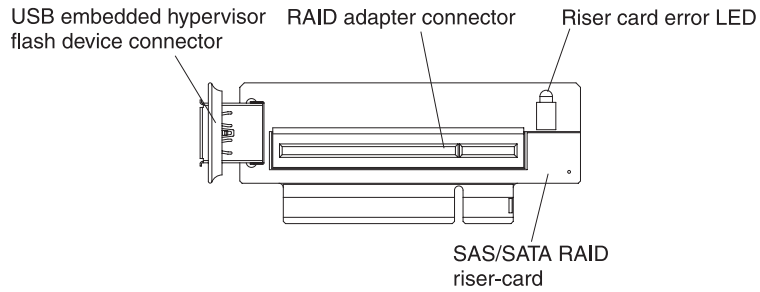
Attention: Some cluster solutions require specific code levels or coordinated code updates. If the device is part of a cluster solution, verify that the latest level of code is supported for the cluster solution before you update the code.

To install the IBM ServeRAID-MR10i SAS/SATA adapter, complete the following steps:

1. Read the safety information that begins on page vii and “Installation guidelines” on page 46.
2. Turn off the server and peripheral devices and disconnect the power cords.

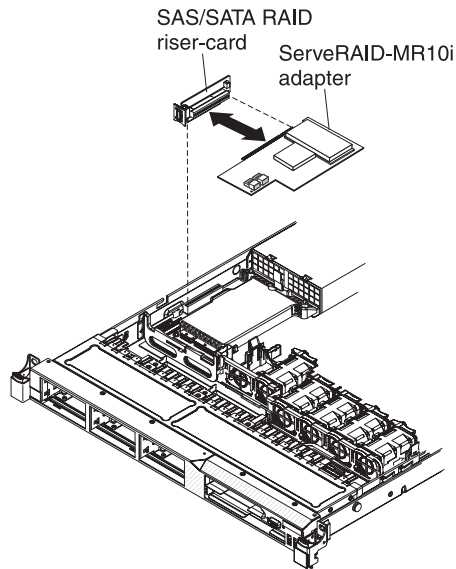
Note: When you disconnect the power source from the server, you lose the ability to view the LEDs because the LEDs are not lit when the power source is removed. Before you disconnect the power source, make a note of which LEDs are lit, including the LEDs that are lit on the operation information panel, on the light path diagnostics panel, and LEDs inside the server on the system board; then, see the *Problem Determination and Service Guide* for information about how to solve the problem.

3. Remove the cover (see “Removing the cover” on page 49).
4. Disconnect the signal cables and power cables from the existing SAS/SATA adapter (if one is installed)
5. Carefully grasp the end of the SAS/SATA adapter next to the power-supply cage while you press the black plastic tab (next to the power supply cage) toward the power supply.
6. Pull up on the SAS/SATA adapter until the SAS/SATA RAID riser-card assembly disengages from the connector on the system board.
7. Carefully grasp the SAS/SATA adapter and pull it out of the connector on the SAS/SATA RAID riser-card assembly.
8. Place the ServeRAID-MR10i SAS/SATA adapter into a static-protective package and put it in a safe place.
9. Touch the static-protective package that contains the new ServeRAID-MR10i SAS/SATA adapter to any unpainted surface on the outside of the server; then, grasp the adapter by the top edge or upper corners of the adapter and remove it from the package.
10. Align the ServeRAID-MR10i SAS/SATA adapter so that the keys align correctly with the connector on the SAS/SATA RAID riser-card assembly.

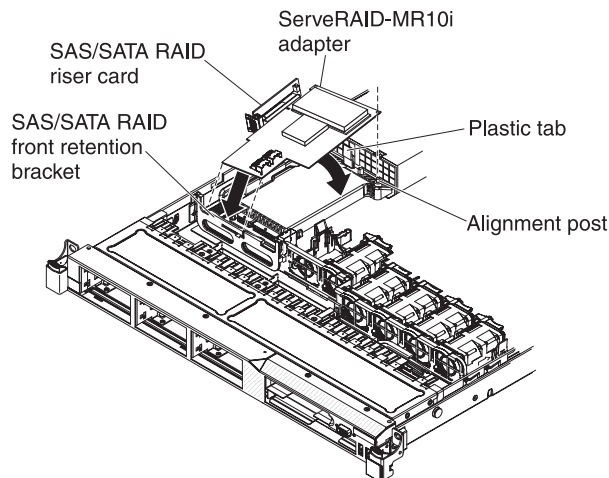


11. Insert the SAS/SATA adapter into the connector on the SAS/SATA RAID riser-card until it is firmly seated.

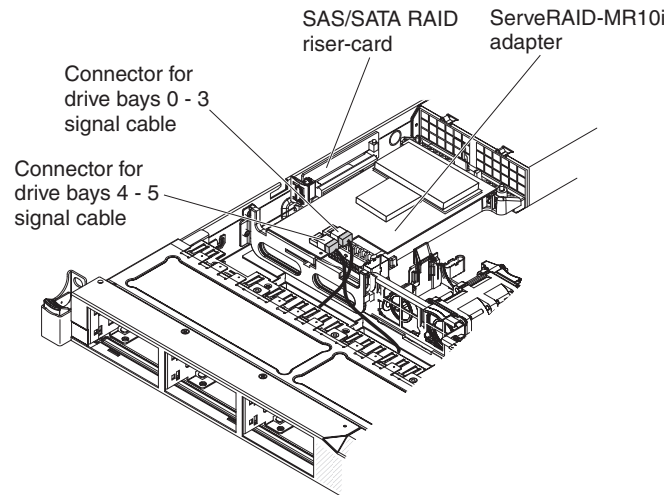
Attention: Incomplete insertion might cause damage to the server or the adapter.



12. Tilt the SAS/SATA RAID riser-card assembly slightly and insert the end of the adapter in the slot on the retention bracket as shown in the following illustration. Make sure that the SAS/SATA RAID riser-card assembly keys align correctly with the connector on the system board and press down on the assembly until it is seated firmly into the connector on the system board.



13. Route the signal cables from the drive backplane over the blue adapter retention bracket as shown in the following illustration.



14. Take the signal cable that is attached to the drive backplane for drive bays 0 through 3 and connect it to the SAS/SATA RAID adapter connector that is closest to the power-supply cage. Connect the other signal cable so that it is attached to the drive backplane for drive bays 4 and 5 and connect it to the other connector on the adapter.

Note: When you restart the server, you are prompted to import the existing RAID configuration to the new ServeRAID adapter.

If you have other devices to install or remove, do so now. Otherwise, go to “Completing the installation” on page 86.

Installing a second microprocessor and heat sink

The following notes describe the type of microprocessor that the server supports and other information that you must consider when you install a microprocessor and heat sink:

- Microprocessors are to be installed only by trained service technicians.
Important: Always use the microprocessor installation tool to install a microprocessor. Failing to use the microprocessor installation tool may damage the microprocessor sockets on the system board. Any damage to the microprocessor sockets may require replacing the system board.
- The server supports up to two Intel Xeon dual-core or quad-core microprocessors. See <http://www.ibm.com/servers/eserver/serverproven/compat/us/> for a list of supported microprocessors.
- Do not mix dual-core and quad-core microprocessors in the same server.
- The upgrade of microprocessors are not supported on this server. For example, if the server came with a 2.0 GHz microprocessor, you cannot upgrade the microprocessor to a 2.3 GHz microprocessor, it is not supported.
- The first microprocessor must always be installed in microprocessor socket 1 on the system board.
- When one microprocessor is installed, a heat sink filler is not required for microprocessor socket 2, however, the microprocessor 2 air baffle and the DIMM air baffle must be installed to provide proper system cooling.

- Do not remove the first microprocessor from the system board when you install the second microprocessor.
- When you install the second microprocessor, you must also install additional memory. See “Installing a memory module” on page 52 for details about the installation sequence.
- To ensure proper server operation when you install an additional microprocessor, use microprocessors that have the same QuickPath Interconnect (QPI) link speed, integrated memory controller frequency, core frequency, power segment, internal cache size, and type.
- Mixing microprocessors of different stepping levels within the same server model is supported.
- When mixing microprocessors with different stepping levels within the same server model, you do not have to install the microprocessor with lowest stepping level and features in microprocessor socket 1.
- Both microprocessor voltage regulator modules are integrated on the system board.
- If you have to replace a microprocessor, call for service.
- Read the documentation that comes with the microprocessor, so that you can determine whether you have to update the server firmware. To download the latest level of the server firmware and other code updates for your server, complete the following steps:
 1. Go to <http://www.ibm.com/supportportal/>.
 2. Under **Product support**, click **System x**.
 3. Under **Popular links**, click **Software and device drivers**.
 4. Click **IBM System x3550 M2** to display the matrix of downloadable files for the server.
- The microprocessor speeds are automatically set for this server; therefore, you do not have to set any microprocessor frequency-selection jumpers or switches.
- If the thermal-grease protective cover (for example, a plastic cap or tape liner) is removed from the heat sink, do not touch the thermal grease on the bottom of the heat sink or set down the heat sink. For details, see the information about thermal grease in the *Problem and Determination Service Guide*.

Note: Removing the heat sink from the microprocessor destroys the even distribution of the thermal grease and requires replacing the thermal grease.
- To order an additional optional microprocessor, contact your IBM marketing representative or authorized reseller.

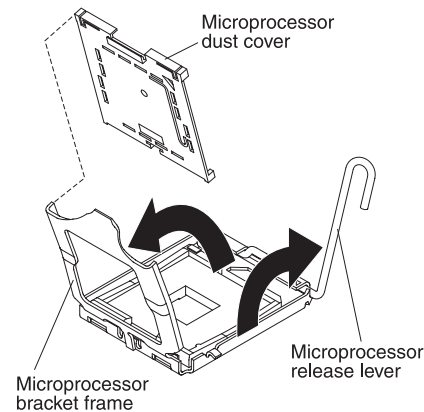
To install an additional microprocessor and heat sink, complete the following steps:

1. Read the safety information that begins on page vii and “Installation guidelines” on page 46.
2. Turn off the server and peripheral devices and disconnect the power cords and all external cables (see “Turning off the server” on page 32).

Attention: When you handle static-sensitive devices, take precautions to avoid damage from static electricity. For details about handling these devices, see “Handling static-sensitive devices” on page 48.
3. Remove the cover (see “Removing the cover” on page 49).
4. Locate microprocessor socket 2 on the system board.
5. Remove the microprocessor 2 air baffle (see “Removing the DIMM air baffle” on page 51).

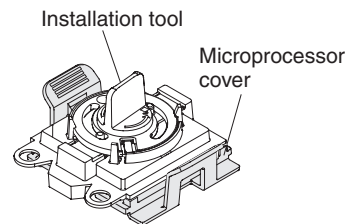
6. Rotate the heat-sink release lever to the fully open position and lift the heat-sink filler off the microprocessor socket.
7. Install the microprocessor:
 - a. Press down and out on the release lever on microprocessor socket 2 and lift up the microprocessor release lever until it stops in the fully open position.
 - b. Lift the hinged microprocessor bracket frame into an open position and remove the microprocessor dust cover, tape, or label from the surface of the microprocessor socket, if one is present. Store the dust cover in a safe place.

Attention: When you handle static-sensitive devices, take precautions to avoid damage from static electricity. For details about handling these devices, see “Handling static-sensitive devices” on page 48.



- c. Locate the microprocessor installation tool that comes with the new microprocessor.

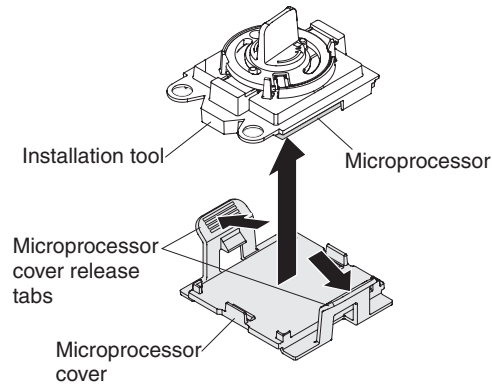
Note: The microprocessor installation tool assembly comes with the microprocessor and microprocessor cover attached to the tool. The microprocessor comes protected between the tool and the microprocessor cover.



- d. Remove the microprocessor installation tool assembly from the package.

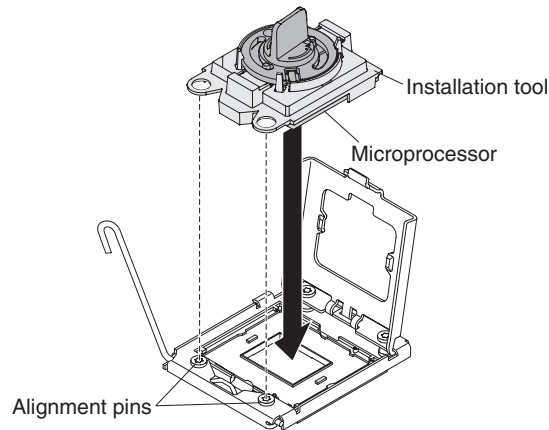
Note: Do not rotate the handle on the tool until you are ready to install the microprocessor into the microprocessor socket.

- e. Remove the cover from the bottom of the microprocessor installation tool. Press both microprocessor cover release tabs outward (in opposite directions as shown in the illustration) and remove the microprocessor installation tool with the microprocessor attached.

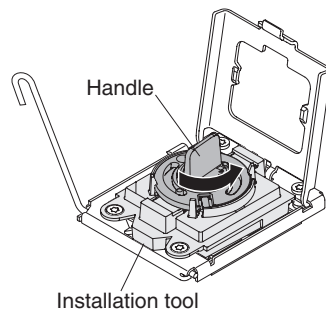


- f. Carefully align the microprocessor installation tool over the microprocessor socket.

Attention: The microprocessor fits only one way on the socket. You must place a microprocessor straight down on the socket to avoid damaging the pins on the socket. The pins on the socket are fragile. Any damage to the pins may require replacing the system board.

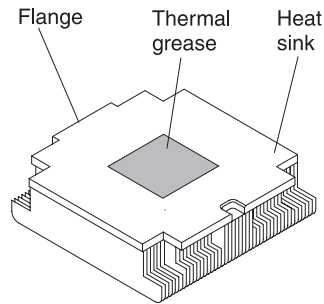


- g. Twist the handle on the microprocessor tool counterclockwise to insert the microprocessor into the socket.

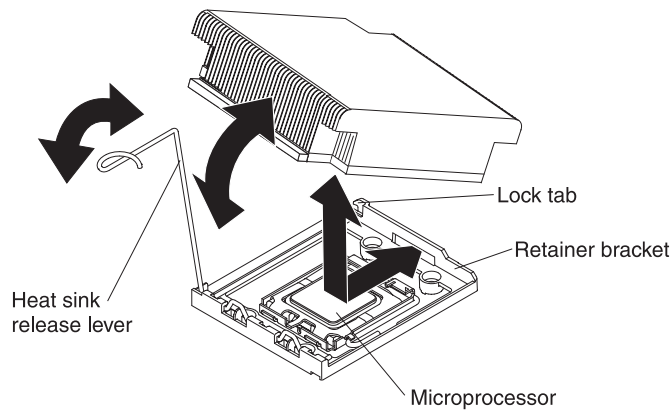


- h. Close the microprocessor bracket frame.
- i. Carefully close the microprocessor release lever to the closed position to secure the microprocessor in the socket.
8. Install the heat sink:
- Remove the plastic protective cover from the bottom of the heat sink.
 - Align the heat sink on top of the microprocessor with the thermal grease side down.

Attention: Do not touch the thermal grease on the bottom of the heat sink after you remove the plastic cover. Touching the thermal grease will contaminate it. See “Thermal grease” for more information.



- c. Lower the rear flange of the heat sink into the opening in the retainer bracket and press down firmly on the front of the heat sink until it is seated securely.



- d. Rotate the heat-sink release lever to the closed position and hook it underneath the lock tab.
9. Reinstall the microprocessor 2 air baffle, (see “Replacing the microprocessor 2 air baffle” on page 87).

Thermal grease

The thermal grease must be replaced whenever the heat sink has been removed from the top of the microprocessor and is going to be reused or when debris is found in the grease.

When you are installing the heat sink on the same microprocessor that is was removed from, make sure that the following requirements are met:

- The thermal grease on the heat sink and microprocessor is not contaminated.
- Additional thermal grease is not added to the existing thermal grease on the heat sink and microprocessor.

Note:

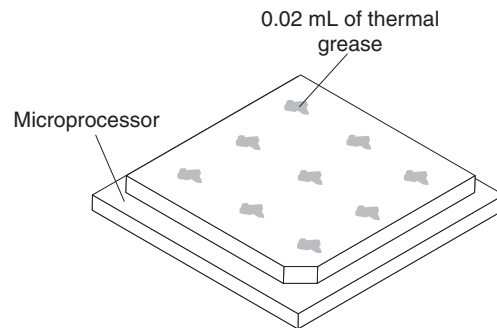
- Read the Safety information on page vii.
- Read the “Installation guidelines” on page 46.
- Read “Handling static-sensitive devices” on page 48.

To replace damaged or contaminated thermal grease on the microprocessor and heat sink, complete the following steps:

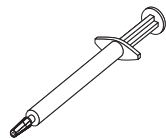
1. Place the heat sink on a clean work surface.
2. Remove the cleaning pad from its package and unfold it completely.
3. Use the cleaning pad to wipe the thermal grease from the bottom of the heat sink.

Note: Make sure that all of the thermal grease is removed.

4. Use a clean area of the cleaning pad to wipe the thermal grease from the microprocessor; then, dispose of the cleaning pad after all of the thermal grease is removed.



5. Use the thermal-grease syringe to place 9 uniformly spaced dots of 0.02 mL each on the top of the microprocessor. The outermost dots must be within approximately 5 mm of the edge of the microprocessor; this is to ensure uniform distribution of the grease.



Note: If the grease is properly applied, approximately half of the grease will remain in the syringe.

6. Install the heat sink onto the microprocessor as described in 8 on page 76.

If you have other options to install or remove, do so now. Otherwise, go to “Completing the installation” on page 86.

Installing a hot-swap ac power supply

The following notes describe the type of ac power supply that the server supports and other information that you must consider when you install a power supply:

- The server comes with one 675-watt hot-swap 12-volt output power supply that connects to power supply bay 1. The input voltage is 110 V ac or 220 V ac auto-sensing.
- Power supply 1 is the default/primary power supply. If power supply 1 fails, you must replace the power supply immediately.
- You can order an optional power supply for redundancy.
- These power supplies are designed for parallel operation. In the event of a power-supply failure, the redundant power supply continues to power the system. The server supports a maximum of two power supplies.
- For instructions on how to install a hot-swap dc power supply, refer to the documentation that comes with the dc power supply.

Statement 5:



CAUTION:

The power control button on the device and the power switch on the power supply do not turn off the electrical current supplied to the device. The device also might have more than one power cord. To remove all electrical current from the device, ensure that all power cords are disconnected from the power source.



Statement 8



CAUTION:

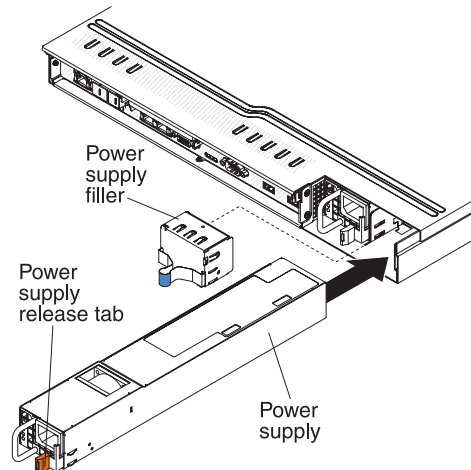
Never remove the cover on a power supply or any part that has the following label attached.



Hazardous voltage, current, and energy levels are present inside any component that has this label attached. There are no serviceable parts inside these components. If you suspect a with one of these parts, contact a service technician.

To install a hot-swap ac power supply, complete the following steps:

1. Read the safety information that begins vii and “Installation guidelines” on page 46.
2. Touch the static-protective package that contains the hot-swap power supply to any unpainted metal surface on the server; then, remove the power supply from the package and place it on a static-protective surface.
3. If you are installing a hot-swap power supply into an empty bay, remove the power-supply filler panel from the power-supply bay.



4. Grasp the handle on the rear of the power supply and slide the power supply forward into the power-supply bay until it clicks. Make sure that the power supply connects firmly into the power-supply connector.
5. Route the power cord through the handle so that it does not accidentally become unplugged.
6. Connect the power cord for the new power supply to the power-cord connector on the power supply.
7. Connect the other end of the power cord to a properly grounded electrical outlet.
8. Make sure that the ac power LED and the dc power LED on the power supply are lit, indicating that the power supply is operating correctly. The two green LEDs are to the right of the power-cord connector.
9. If you are replacing a power supply with one of a different wattage, apply the power information label provided with the new power supply over the existing power information label on the server.

额定电压 xxx-xxx/xxx-xxx	额定电压
额定电流 x.x/x.x	额定电流
额定频率 xx/xx HZ	额定频率

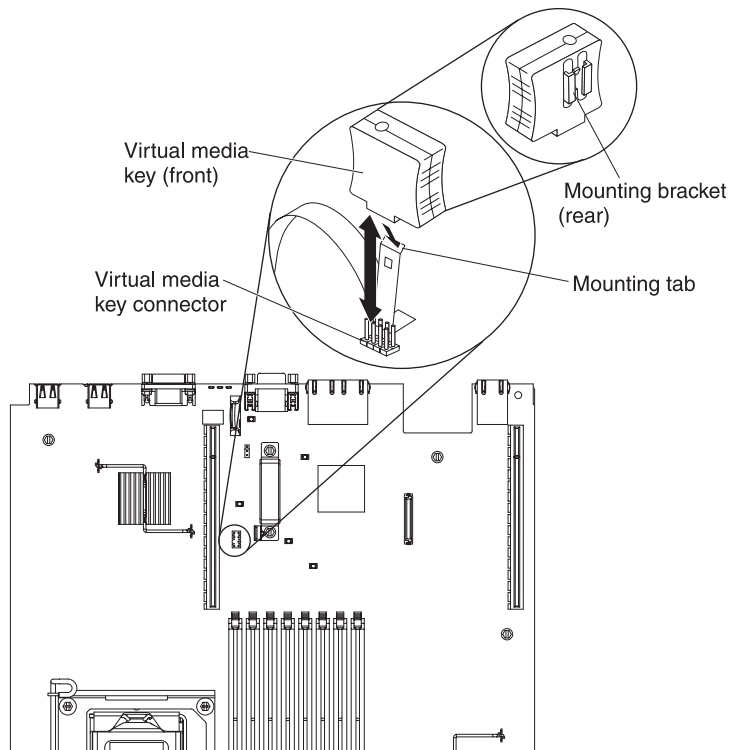


If you have other devices to install or remove, do so now. Otherwise, go to “Completing the installation” on page 86.

Installing the virtual media key

To install the virtual media key, complete the following steps:

1. Read the safety information that begins on page vii and “Installation guidelines” on page 46.
2. Remove the cover (see “Removing the cover” on page 49).
3. Align the virtual media key with the mounting tab and slide it down the tab onto the connector on the system board. Press the virtual media key down into the connector until it is firmly seated on the system board.

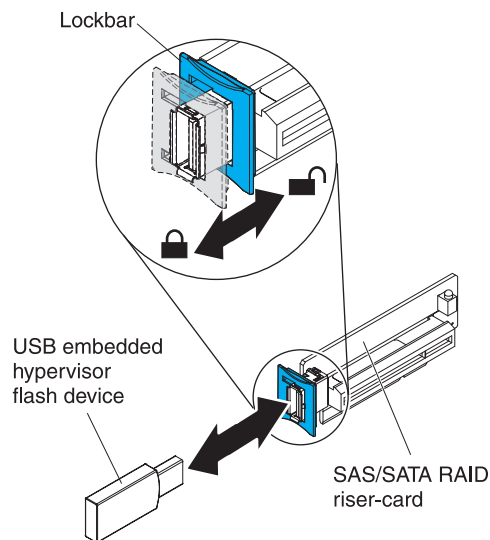


If you have other devices to install or remove, do so now. Otherwise, go to “Completing the installation” on page 86.

Installing a USB embedded hypervisor flash device

To install a hypervisor flash device, complete the following steps:

1. Read the safety information that begins on page vii and “Installation guidelines” on page 46.
2. Turn off the server and peripheral devices and disconnect the power cords.
3. Remove the cover (see “Removing the cover” on page 49).
4. Align the flash device with the connector on the SAS/SATA RAID riser-card assembly and push it into the connector until it is firmly seated.
5. Slide the blue lockbar toward the flash device to the locked position until it is seated firmly.



If you have other devices to install or remove, do so now. Otherwise, go to “Completing the installation” on page 86.

Installing a RAID adapter battery remotely in the server

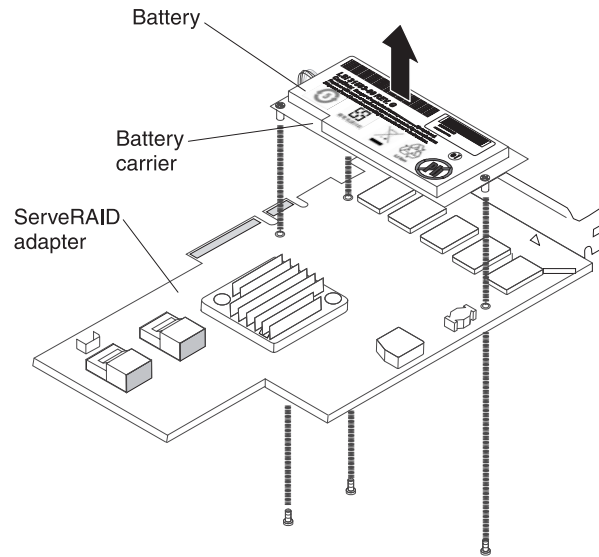
The batteries must be installed only on top of the microprocessor 2 air baffle. To install a RAID adapter battery in the server, complete the following steps:

1. Read the safety information that begins on page vii and “Installation guidelines” on page 46.
2. Turn off the server and peripheral devices and disconnect all power cords and external devices; then, remove the cover (see “Removing the cover” on page 49).

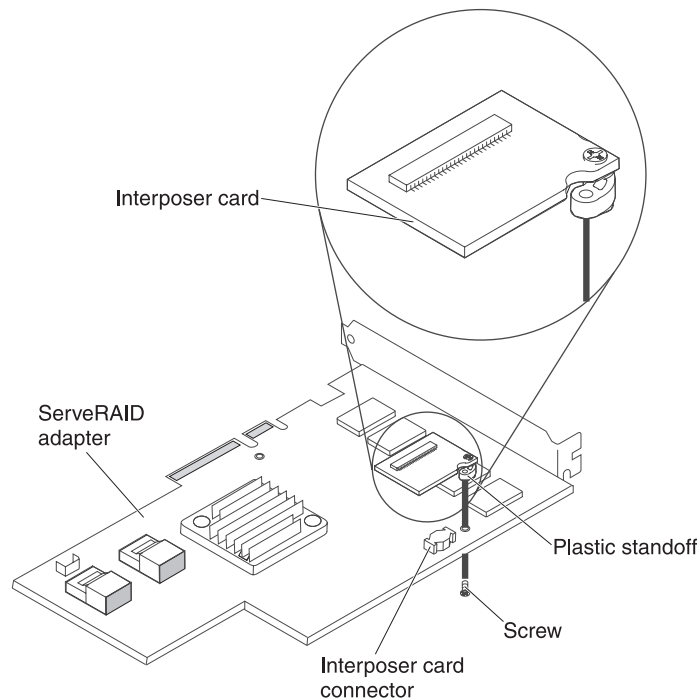
Note: Steps 3 through 5 apply to a RAID adapter that is already installed in the server riser-card. If no RAID adapter is installed, skip to step 6.

3. Remove the riser-card assembly from the server and set it aside (see “Replacing a PCI riser-card assembly” on page 63).
4. Remove the adapter from the riser-card assembly.
5. If a battery and battery carrier are attached to the RAID adapter, disconnect the battery carrier cable from the battery and remove the three screws that secure the battery carrier to the adapter. Set the battery and battery carrier aside.

Note: If your battery and battery carrier are attached with a clip, squeeze the clip on the side of the battery carrier to remove the battery from the battery carrier.

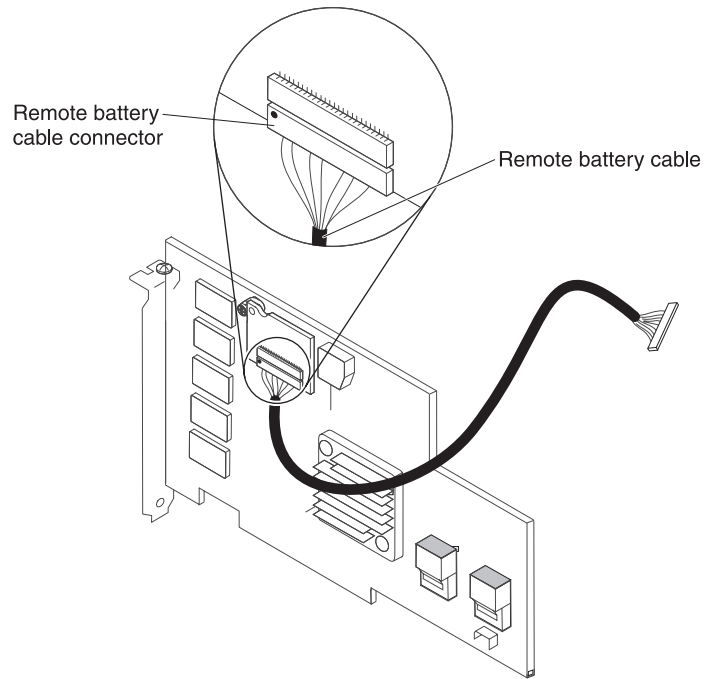


6. Install the interposer card in the interposer card connector on the RAID adapter:
 - a. Remove the interposer card and the screw from the bag.
 - b. Rotate the plastic standoff on the interposer card so that it aligns with the hole on the RAID adapter; then, align the connector on interposer card with the interposer card connector on the RAID adapter.

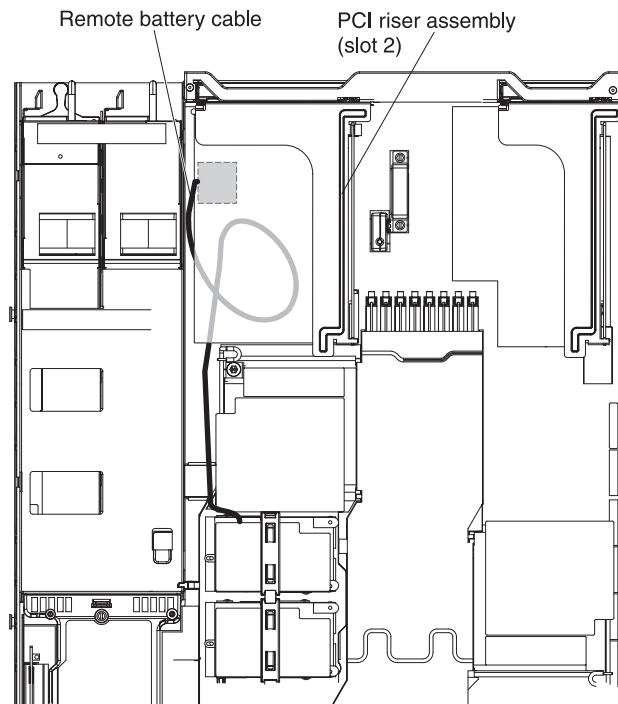


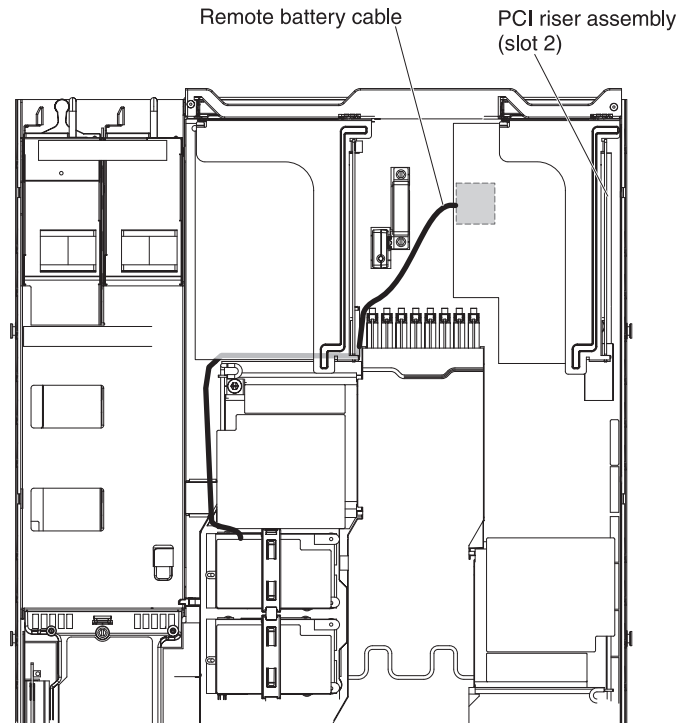
- c. Press the interposer card down onto the interposer card connector on the RAID adapter until it is firmly seated.
 - d. From underneath the RAID adapter, insert the screw that you took from the bag and tighten the screw to secure the interposer card to the RAID adapter.
7. Connect one end of the remote batter cable to the interposer card.

Attention: To avoid damage to the hardware, make sure that the black dot on the remote battery cable connector faces away from the interposer card on the adapter. Do not force the remote battery cable into the connector.



8. Install the RAID adapter on the riser-card and install the riser-card assembly in the server (see “Replacing a PCI riser-card assembly” on page 63).
9. Route the remote battery cable as shown in the illustration, depending on the PCI slot in which the RAID adapter is installed.



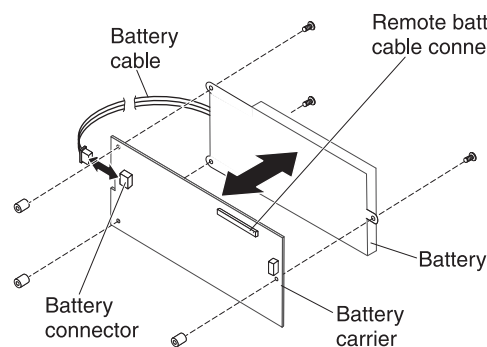


10. Route the remote battery cable through the notches on the microprocessor 2 air baffle.

Attention: Make sure that the cable is not pinched and does not cover any connectors or obstruct any components on the system board.

11. Connect the other end of the remote battery cable to the remote battery cable connector on the battery carrier.

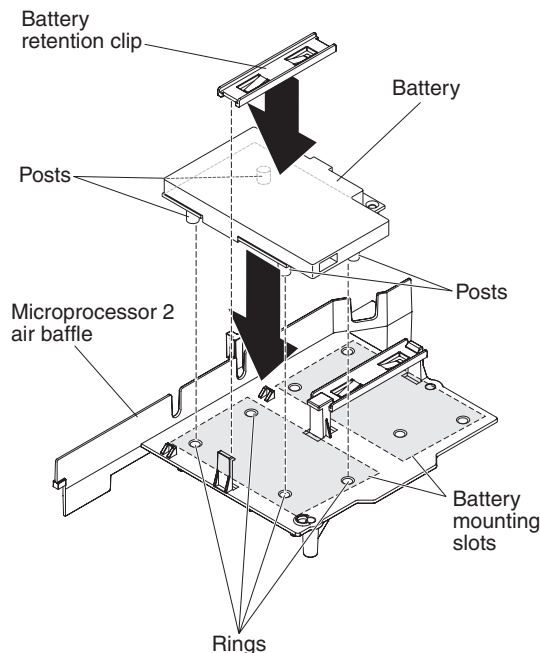
Attention: To avoid damage to the hardware, make sure that the black dot on the remote battery cable connector faces away from the interposer card on the adapter. Do not force the remote battery cable into the connector.



12. Install the battery on the microprocessor 2 air baffle:
 - a. Connect the battery cable to the battery cable connector on the battery carrier.
 - b. Place the battery carrier in the battery mounting slot on the microprocessor 2 air baffle and ensure that battery carrier posts align with the rings on the battery mounting slot so that the battery carrier is secure in the slot.

Note: The positioning of the remote battery depends on the type of remote battery that you install. The long edge of the battery might fit the

recessed rings either parallel or perpendicular to the front bezel.



- c. Take the battery retention clip and place it underneath the other tab while pressing release tab toward the front of the server; then, press it down until it snaps in place to hold the battery carrier firmly in place.

If you have other devices to install or remove, do so now. Otherwise, go to “Completing the installation.”

Completing the installation

To complete the installation, complete the following steps:

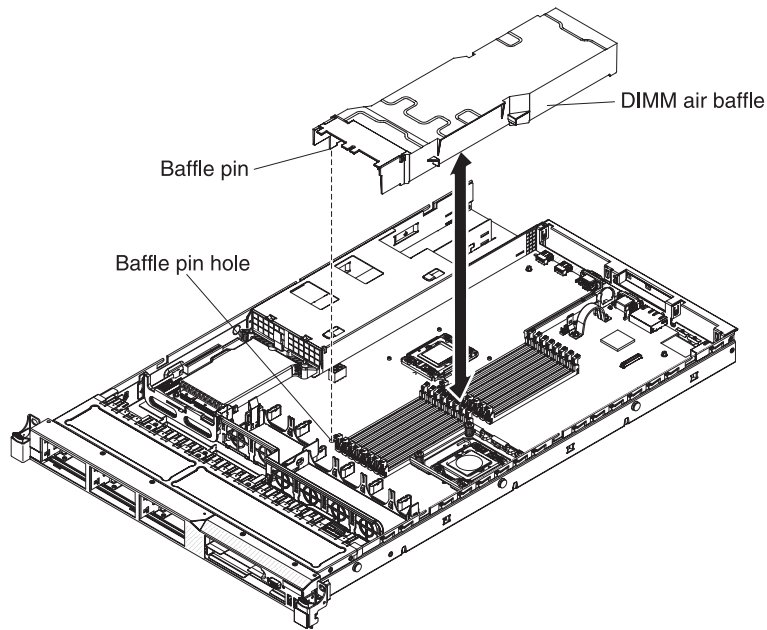
1. If you removed any air baffles, reinstall them (see “Replacing the DIMM air baffle” and “Replacing the microprocessor 2 air baffle” on page 87).
2. If you removed the server cover, replace it (see “Replacing the cover” on page 88).
3. Install the server in the rack cabinet (see the *Rack Installation Instructions* that come with the server for instructions).
4. Reconnect the cables and power cords (see “Connecting the cables” on page 88).
5. Update the server configuration (see “Updating the server configuration” on page 89).
6. Slide the server back into the rack, if necessary.

Replacing the DIMM air baffle

To install the DIMM air baffle, complete the following steps:

1. Read the safety information that begins on page vii and “Installation guidelines” on page 46.
2. Turn off the server and peripheral devices and disconnect the power cords and all external cables (see “Turning off the server” on page 32).
3. Align the DIMM air baffle over the DIMMs so that the baffle pin on the left side of the air baffle aligns with the pin hole next to DIMM connector 8 on the system

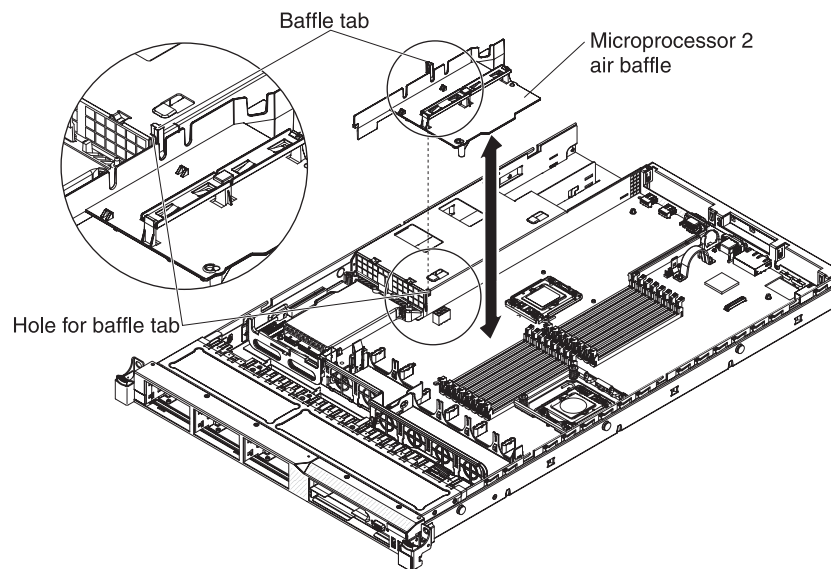
board, and lower it into the server.



Replacing the microprocessor 2 air baffle

To install the microprocessor 2 air baffle (if you removed it), complete the following steps:

1. Read the safety information that begins on page vii and “Installation guidelines” on page 46.
2. Turn off the server and peripheral devices and disconnect the power cords and all external cables (see “Turning off the server” on page 32).
3. Align the microprocessor 2 air baffle tab with the hole on the side of the power-supply cage; then insert the tab into the hole on the cage (make sure that the front end of the air baffle is lined up with the blue touch point tab on the left side of fan 6). Press the air baffle down until the it is securely seated.



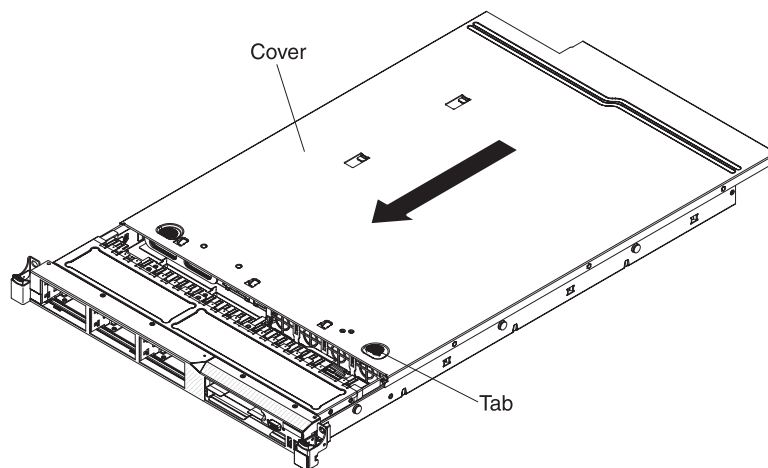
Replacing the cover

To replace the server cover, complete the following steps:

1. Align the cover over the server (toward the rear of the server) until the cover edges slip into position over the chassis.

Important: Before sliding the cover forward, make sure that all the tabs on both the front, rear, and side of the cover engage the chassis correctly. If all the tabs do not engage the chassis correctly, it will be hard to remove the cover later.

2. Slide the cover forward toward the front of the server until the cover is completely closed.



Connecting the cables

The following illustration shows the locations of the input and output connectors on the front of the server.

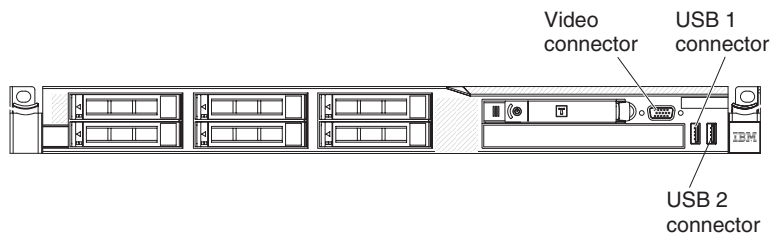


Figure 3. Front of server

The following illustration shows the locations of the input and output connectors on the rear of the server.

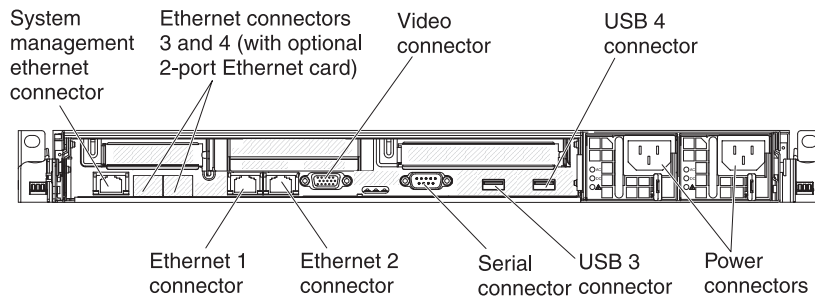


Figure 4. Rear of server

You must turn off the server before you connect or disconnect cables.

See the documentation that comes with any external devices for additional cabling instructions. It might be easier for you to route cables before you connect the devices to the server.

Cable identifiers are printed on the cables that come with the server and optional devices. Use these identifiers to connect the cables to the correct connectors.

Updating the server configuration

When you start the server for the first time after you add or remove a device, you might receive a message that the configuration has changed. The Setup utility starts automatically so that you can save the new configuration settings.

Some optional devices have device drivers that you must install. For information about installing device drivers, see the documentation that comes with each device.

If the server has an optional RAID adapter and you have installed or removed a hard disk drive, see the documentation that comes with the RAID adapter for information about reconfiguring the disk arrays.

For information about configuring the integrated Gigabit Ethernet controller, see “Configuring the Gigabit Ethernet controller” on page 106.

Chapter 3. Configuring the server

The following configuration programs come with the server:

- **Setup utility**

The UEFI (formerly BIOS) Setup Utility program is part of the basic input/output system firmware. Use it to change interrupt request (IRQ) settings, change the startup-device sequence, set the date and time, and set passwords. For information about using this program, see “Using the Setup utility” on page 92.

- **Boot Manager program**

The Boot Manager program is part of the server firmware. Use it to override the startup sequence that is set in the Setup utility and temporarily assign a device to be first in the startup sequence. For more information about using this program, see “Using the Boot Manager program” on page 99.

- **IBM ServerGuide Setup and Installation CD**

The ServerGuide program provides software-setup tools and installation tools that are designed for the server. Use this CD during the installation of the server to configure basic hardware features, such as an integrated SAS/SATA controller with RAID capabilities, and to simplify the installation of your operating system. For information about using this CD, see “Using the ServerGuide Setup and Installation CD” on page 100.

- **Integrated Management Module**

Use the integrated management module (IMM) for configuration, to update the firmware and sensor data record/field replaceable unit (SDR/FRU) data, and to remotely manage a network. For information about using the IMM, see “Using the integrated management module” on page 102.

- **VMware ESXi embedded hypervisor**

The VMware ESXi embedded hypervisor is available on the server models that come with an installed the USB embedded hypervisor flash device. The USB flash device is installed in the USB connector on the SAS/SATA RAID riser card. Hypervisor is virtualization software that enables multiple operating systems to run on a host system at the same time. For more information about using the embedded hypervisor, see “Using the embedded hypervisor” on page 103.

- **Remote presence capability and blue-screen capture**

The remote presence and blue-screen capture feature are integrated into the Integrated Management Module (IMM). The virtual media key is required to enable the remote presence functions. When the optional virtual media key is installed in the server, it activates the remote presence functions. Without the virtual media key, you will not be able to access the network remotely to mount or unmount drives or images on the client system. However, you will still be able to access the Web interface without the virtual media key. You can order the optional IBM Virtual Media Key, if one did not come with your server. For more information about how to enable the remote presence function, see “Using the remote presence capability and blue-screen capture” on page 104.

- **Ethernet controller configuration**

For information about configuring the Ethernet controller, see “Configuring the Gigabit Ethernet controller” on page 106.

- **LSI Configuration Utility program**

Use the LSI Configuration Utility program to configure the integrated SAS/SATA controller with RAID capabilities and the devices that are attached to it. For information about using this program, see “Using LSI Configuration Utility program” on page 106.

The following table lists the different server configurations and the applications that are available for configuring and managing RAID arrays.

Table 14. Server configuration and applications for configuring and managing RAID arrays

Server configuration	RAID array configuration (before operating system is installed)	RAID array management (after operating system is installed)
ServeRAID-BR10i adapter (LSI 1068E)	LSI Utility (Setup utility, press Ctrl+C), ServerGuide	MegaRAID Storage Manager (for monitoring storage only)
ServeRAID-MR10i adapter (LSI 1078)	MegaRAID BIOS Configuration Utility, ServerGuide	MegaRAID Storage Manager (MSM), Director
ServeRAID-M5014 adapter (LSI SAS2108)	MegaRAID BIOS Configuration Utility, ServerGuide	MegaRAID Storage Manager (MSM), Director
ServeRAID-M5015 adapter (LSI SAS2108)	MegaRAID BIOS Configuration Utility, ServerGuide	MegaRAID Storage Manager (MSM), Director
ServeRAID-M1015 adapter (LSI SAS2008)	MegaRAID BIOS Configuration Utility, ServerGuide	MegaRAID Storage Manager (MSM), Director

- **IBM Advanced Settings Utility (ASU) program**

Use this program as an alternative to the Setup utility for modifying UEFI settings and IMM settings. Use the ASU program online or out of band to modify UEFI settings from the command line without the need to restart the server to access the Setup utility. For more information about using this program, see “IBM Advanced Settings Utility program” on page 108.

Using the Setup utility

Use the Unified Extensible Firmware Interface (UEFI), formerly BIOS, Setup Utility program to perform the following tasks:

- View configuration information
- View and change assignments for devices and I/O ports
- Set the date and time
- Set the startup characteristics of the server and the order of startup devices
- Set and change settings for advanced hardware features
- View, set, and change settings for power-management features
- View and clear error logs
- Change interrupt request (IRQ) settings
- Resolve configuration conflicts

Starting the Setup utility

To start the Setup utility, complete the following steps:

1. Turn on the server.

Note: Approximately 20 to 40 seconds after the server is connected to power, the power-control button becomes active.

2. When the prompt <F1> Setup is displayed, press F1. If you have set an administrator password, you must type the administrator password to access the full Setup utility menu. If you do not type the administrator password, a limited Setup utility menu is available.
3. Select settings to view or change.

Setup utility menu choices

The following choices are on the Setup utility main menu for the UEFI. Depending on the version of the firmware, some menu choices might differ slightly from these descriptions.

- **System Information**

Select this choice to view information about the server. When you make changes through other choices in the Setup utility, some of those changes are reflected in the system information; you cannot change settings directly in the system information. This choice is on the full Setup utility menu only.

- **System Summary**

Select this choice to view configuration information, including the ID, speed, and cache size of the microprocessors, machine type and model of the server, the serial number, the system UUID, and the amount of installed memory. When you make configuration changes through other options in the Setup utility, the changes are reflected in the system summary; you cannot change settings directly in the system summary.

- **Product Data**

Select this choice to view the system-board identifier, the revision level or issue date of the firmware, the integrated management module and diagnostics code, and the version and date.

This choice is on the full Setup utility menu only.

- **System Settings**

Select this choice to view or change the server component settings.

- **Processors**

Select this choice to view or change the processor settings.

- **Memory**

Select this choice to view or change the memory settings.

- **Devices and I/O Ports**

Select this choice to view or change assignments for devices and input/output (I/O) ports. You can configure the serial ports; configure remote console redirection; enable or disable integrated Ethernet controllers, the SAS/SATA adapter, SATA optical drive channels, and PCI slots; and view the system Ethernet MAC addresses. If you disable a device, it cannot be configured, and the operating system will not be able to detect it (this is equivalent to disconnecting the device).

- **Power**

Select this choice to view or change power capping to control consumption, processors, and performance states.

- **Operating Modes**

Select this choice to view or change the operating profile (performance and power utilization).

- **Legacy Support**

Select this choice to view or set legacy support.

- **Force Legacy Video on Boot**

Select this choice to force INT video support, if the operating system does not support UEFI video output standards.

- **Rehook INT 19h**

Select this choice to enable or disable devices from taking control of the boot process. The default is **Disable**.
- **Legacy Thunk Support**

Select this choice to enable or disable UEFI to interact with PCI mass storage devices that are non-UEFI compliant.
- **Integrated Management Module**

Select this choice to view or change the settings for the integrated management module.

 - **POST Watchdog Timer**

Select this choice to view or enable the POST watchdog timer.
 - **POST Watchdog Timer Value**

Select this choice to view or set the POST loader watchdog timer value.
 - **Reboot System on NMI**

Enable or disable restarting the system whenever a nonmaskable interrupt (NMI) occurs. **Disabled** is the default.
 - **Commands on USB Interface Preference**

Select this choice to enable or disable the Ethernet over USB interface on IMM.
 - **Network Configuration**

Select this choice to view the system management network interface port, the IMM MAC address, the current IMM IP address, and the host name; define the static IMM IP address, subnet mask, and gateway address; specify whether to use the static IP address or have DHCP assign the IMM IP address; save the network changes; and reset the IMM.
 - **Reset IMM to Defaults**

Select this choice to view or reset IMM to the default settings.
 - **Reset IMM**

Select this choice to reset IMM.
- **System Security**

Select this choice to view or configure Trusted Platform Module (TPM) support.
- **Adapters and UEFI Drivers**

Select this choice to view information about the UEFI 1.10 and UEFI 2.0 compliant adapters and drivers installed in the server.
- **Video**

Select this choice to view or configure the video device options.

Note: The configuration forms for UEFI 2.1 and greater compliant add-on video devices might be located here.

- **Date and Time**

Select this choice to set the date and time in the server, in 24-hour format (*hour:minute:second*).

This choice is on the full Setup utility menu only.
- **Start Options**

Select this choice to view or change the start options, including the startup sequence, keyboard NumLock state, PXE boot option, and PCI device boot priority. Changes in the startup options take effect when you start the server.

The startup sequence specifies the order in which the server checks devices to find a boot record. The server starts from the first boot record that it finds. If the server has Wake on LAN hardware and software and the operating system supports Wake on LAN functions, you can specify a startup sequence for the Wake on LAN functions. For example, you can define a startup sequence that checks for a disc in the CD-RW/DVD drive, then checks the hard disk drive, and then checks a network adapter.

This choice is on the full Setup utility menu only.

- **Boot Manager**

Select this choice to view, add, delete, or change the device boot priority, boot from a file, select a one-time boot, or reset the boot order to the default setting.

- **System Event Logs**

Select this choice to enter the System Event Manager, where you can view the error messages in the system event logs. You can use the arrow keys to move between pages in the error log.

The system event logs contain all event and error messages that have been generated during POST, by the systems-management interface handler, and by the system service processor. Run the diagnostic programs to get more information about error codes that occur. See the *Problem Determination and Service Guide* on the IBM System x Documentation CD for instructions for running the diagnostic programs.

Important: If the system-error LED on the front of the server is lit but there are no other error indications, clear the IMM system-event log. Also, after you complete a repair or correct an error, clear the IMM system-event log to turn off the system-error LED on the front of the server.

- **POST Event Viewer**

Select this choice to enter the POST event viewer to view the POST error messages.

- **System Event Log**

Select this choice to view the IMM system event log.

- **Clear System Event Log**

Select this choice to clear the IMM system event log.

- **User Security**

Select this choice to set, change, or clear passwords. See “Passwords” on page 96 for more information.

This choice is on the full and limited Setup utility menu.

- **Set Power-on Password**

Select this choice to set or change a power-on password. For more information, see “Power-on password” on page 96 for more information.

- **Clear Power-on Password**

Select this choice to clear a power-on password. For more information, see “Power-on password” on page 96 for more information.

- **Set Administrator Password**

Select this choice to set or change an administrator password. An administrator password is intended to be used by a system administrator; it limits access to the full Setup utility menu. If an administrator password is set,

the full Setup utility menu is available only if you type the administrator password at the password prompt. For more information, see “Administrator password” on page 99.

- **Clear Administrator Password**

Select this choice to clear an administrator password. For more information, see “Administrator password” on page 99.

- **Save Settings**

Select this choice to save the changes that you have made in the settings.

- **Restore Settings**

Select this choice to cancel the changes that you have made in the settings and restore the previous settings.

- **Load Default Settings**

Select this choice to cancel the changes that you have made in the settings and restore the factory settings.

- **Exit Setup**

Select this choice to exit from the Setup utility. If you have not saved the changes that you have made in the settings, you are asked whether you want to save the changes or exit without saving them.

Passwords

From the **User Security** menu choice, you can set, change, and delete a power-on password and an administrator password. The **User Security** choice is on the full Setup utility menu only.

If you set only a power-on password, you must type the power-on password to complete the system startup and to have access to the full Setup utility menu.

An administrator password is intended to be used by a system administrator; it limits access to the full Setup utility menu. If you set only an administrator password, you do not have to type a password to complete the system startup, but you must type the administrator password to access the Setup utility menu.

If you set a power-on password for a user and an administrator password for a system administrator, you must type the power-on password to complete the system startup. A system administrator who types the administrator password has access to the full Setup utility menu; the system administrator can give the user authority to set, change, and delete the power-on password. A user who types the power-on password has access to only the limited Setup utility menu; the user can set, change, and delete the power-on password, if the system administrator has given the user that authority.

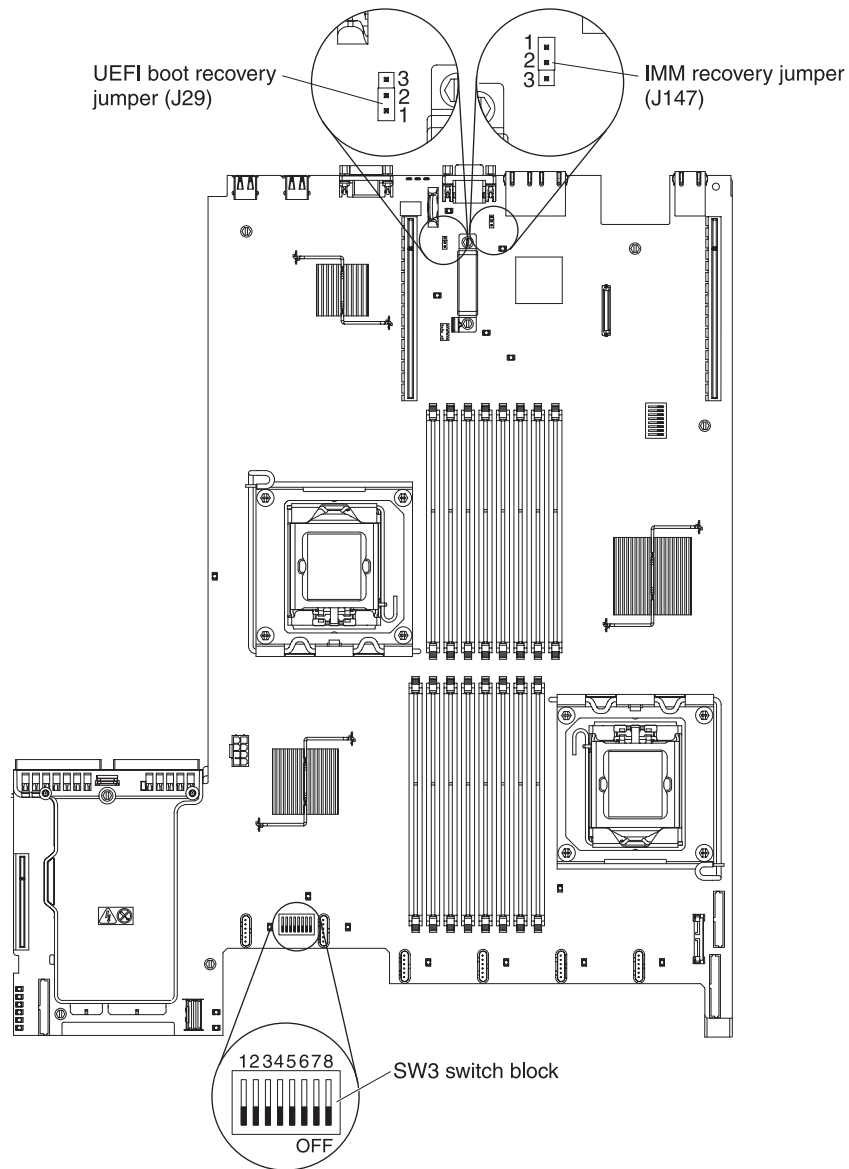
Power-on password

If a power-on password is set, when you turn on the server, you must type the power-on password to complete the system startup. You can use any combination of 6 - 20 printable ASCII characters for the password.

When a power-on password is set, you can enable the Unattended Start mode, in which the keyboard and mouse remain locked but the operating system can start. You can unlock the keyboard and mouse by typing the power-on password.

If you forget the power-on password, you can regain access to the server in any of the following ways:

- If an administrator password is set, type the administrator password at the password prompt. Start the Setup utility and reset the power-on password.
- Remove the battery from the server and then reinstall it. See the *Problem Determination and Service Guide* on the *IBM System x Documentation CD* for instructions for removing the battery.
- **For the Pass 8 level system board**, change the position of the power-on password switch (enable switch 5 of the system board switch block (SW3) to bypass the power-on password check (see Table 5 on page 40 for more information).



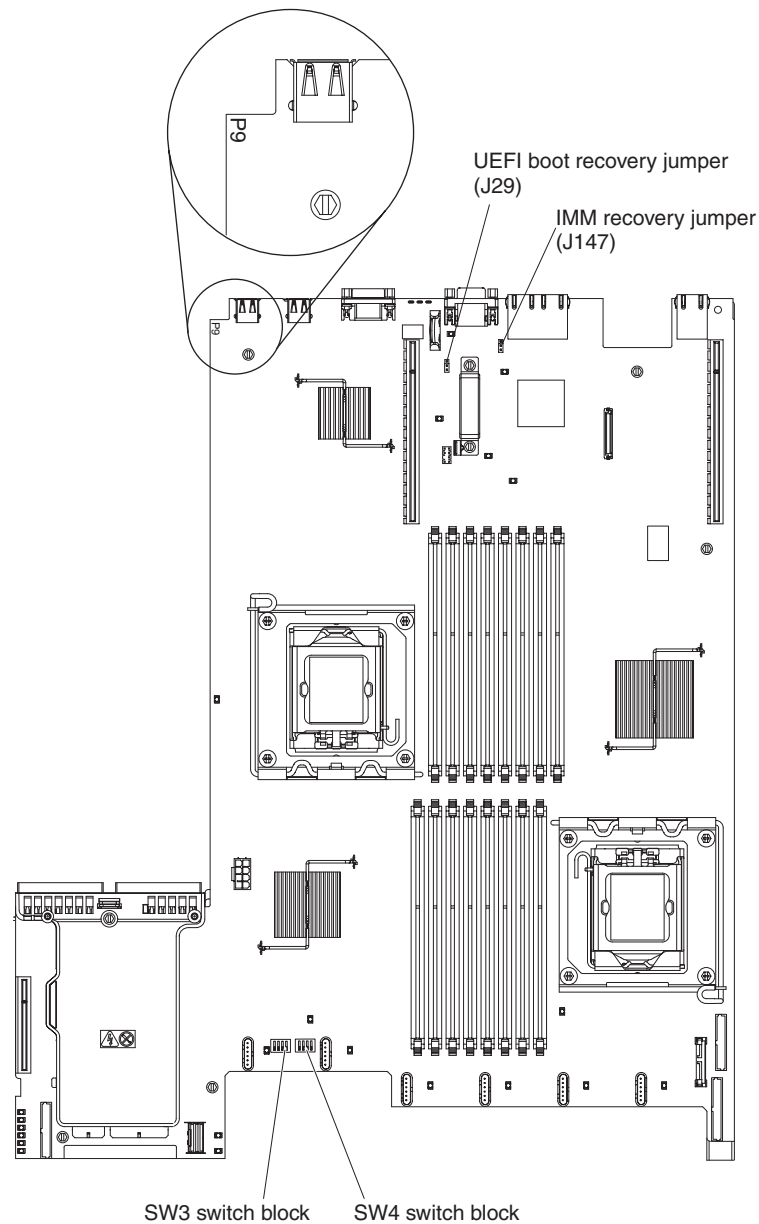
Attention: Before you change any switch settings or move any jumpers, turn off the server; then, disconnect all power cords and external cables. See the safety information that begins on page vii. Do not change settings or move jumpers on any system-board switch or jumper blocks that are not shown in this document.

The default for all of the switches on switch block (SW3) is Off.

While the server is turned off, move switch 5 of the switch block (SW3) to the On position to enable the power-on password override. You can then start the Setup utility and reset the power-on password. You do not have to return the switch to the previous position.

The power-on password override switch does not affect the administrator password.

- **For the Pass 9 level system board**, change the position of the power-on password switch (enable switch 1 of the system board switch block (SW4) to bypass the power-on password check (see Table 8 on page 43 for more information). To determine if your system board is a pass 9 level system board, you will see P9 (with a part number to the right of it) on the corner of the system board near the USB connectors on the rear of the server, as shown in the following illustration.



Attention: Before you change any switch settings or move any jumpers, turn off the server; then, disconnect all power cords and external cables. See the safety information that begins on page vii. Do not change settings or move jumpers on any system-board switch or jumper blocks that are not shown in this document.

The default for all of the switches on switch block (SW4) is Off.

While the server is turned off, move switch 1 of the switch block (SW4) to the On position to enable the power-on password override. You can then start the Setup utility and reset the power-on password. You do not have to return the switch to the previous position.

The power-on password override switch does not affect the administrator password.

Administrator password

If an administrator password is set, you must type the administrator password for access to the full Setup utility menu. You can use any combination of 6 - 20 printable ASCII characters for the password.

Attention: If you set an administrator password and then forget it, there is no way to change, override, or remove it. You must replace the system board.

Using the Boot Manager program

The Boot Manager program is a built-in, menu-driven configuration utility program that you can use to temporarily redefine the first startup device without changing settings in the Setup utility.

To use the Boot Manager program, complete the following steps:

1. Turn off the server.
2. Restart the server.
3. When the prompt <F12> Select Boot Device is displayed, press F12. If a bootable USB mass storage device is installed, a submenu item (**USB Key/Disk**) is displayed.
4. Use the Up arrow and Down arrow keys to select an item from the **Boot Selection Menu** and press **Enter**.

The next time the server starts, it returns to the startup sequence that is set in the Setup utility.

Starting the backup server firmware

The system board contains a backup copy area for the server firmware. This is a secondary copy of the server firmware that you update only during the process of updating the server firmware. If the primary copy of the server firmware becomes damaged, use this backup copy.

To force the server to start from the backup copy, turn off the server; then, place the J29 jumper in the backup position (pins 2 and 3).

Use the backup copy of the server firmware until the primary copy is restored. After the primary copy is restored, turn off the server; then, move the J29 jumper back to the primary position (pins 1 and 2).

Using the ServerGuide Setup and Installation CD

The *ServerGuide Setup and Installation* CD provides software setup tools and installation tools that are designed for your server. The ServerGuide program detects the server model and hardware options that are installed and uses that information during setup to configure the hardware. Use this CD during the initial installation of the server to simplify the operating-system installations by providing updated device drivers and, in some cases, installing them automatically. To download the CD, go to <http://www.ibm.com/systems/management/serverguide/sub.html> and click **IBM Service and Support Site**.

Note: Changes are made periodically to the IBM website. The actual procedure might vary slightly from what is described in this document.

To start the *ServerGuide Setup and Installation* CD, complete the following steps:

1. Insert the CD, and restart the server. If the CD does not start, see “ServerGuide Problems” in the *Problem Determination and Service Guide* on the *System x Documentation* CD.
2. Follow the instructions on the screen to:
 - a. Select your language.
 - b. Select your keyboard layout and country.
 - c. View the overview to learn about ServerGuide features.
 - d. View the readme file to review installation tips for your operating system and adapter.
 - e. Start the operating-system installation. You will need your operating-system CD.

The ServerGuide program has the following features:

- An easy-to-use interface
- Diskette-free setup, and configuration programs that are based on detected hardware
- ServeRAID Manager program, which configures your ServeRAID adapter
- Device drivers that are provided for your server model and detected hardware
- Operating-system partition size and file-system type that are selectable during setup

Note: Features and functions can vary slightly with different versions of the ServerGuide program.

ServerGuide features

Features and functions can vary slightly with different versions of the ServerGuide program. To learn more about the version that you have, start the *ServerGuide Setup and Installation* CD and view the online overview. Not all features are supported on all server models.

The ServerGuide program requires a supported IBM server with an enabled startable (bootable) CD drive. In addition to the *ServerGuide Setup and Installation* CD, you must have your operating-system CD to install the operating system.

The ServerGuide program performs the following tasks:

- Sets system date and time

- Detects the RAID adapter or controller and runs the SAS/SATA RAID configuration program
- Checks the microcode (firmware) levels of a ServeRAID adapter and determines whether a later level is available from the CD
- Detects installed hardware options and provides updated device drivers for most adapters and devices
- Provides diskette-free installation for supported Windows operating systems
- Includes an online readme file with links to tips for your hardware and operating-system installation

Setup and configuration overview

When you use the *ServerGuide Setup and Installation* CD, you do not need setup diskettes. You can use the CD to configure any supported IBM server model. The setup program provides a list of tasks that are required to set up your server model. On a server with a ServeRAID adapter or SAS/SATA controller with RAID capabilities, you can run the SAS/SATA RAID configuration program to create logical drives.

Important: Before you install a legacy operating system (such as VMware) on a server with an LSI SAS controller, you must first complete the following steps:

1. Update the device driver for the LSI SAS controller to the latest level.
2. In the Setup utility, set **Legacy Only** as the first option in the boot sequence in the **Boot Manager** menu.
3. Using the LSI Configuration Utility program, select a boot drive.

For detailed information and instructions, go to <https://www-947.ibm.com/systems/support/supportsite.wss/docdisplay?Indocid=MIGR-5083225>.

Typical operating-system installation

The ServerGuide program can reduce the time it takes to install an operating system. It provides the device drivers that are required for your hardware and for the operating system that you are installing. This section describes a typical ServerGuide operating-system installation.

Note: Features and functions can vary slightly with different versions of the ServerGuide program.

1. After you have completed the setup process, the operating-system installation program starts. (You will need your operating-system CD to complete the installation.)
2. The ServerGuide program stores information about the server model, service processor, hard disk drive controllers, and network adapters. Then, the program checks the CD for newer device drivers. This information is stored and then passed to the operating-system installation program.
3. The ServerGuide program presents operating-system partition options that are based on your operating-system selection and the installed hard disk drives.
4. The ServerGuide program prompts you to insert your operating-system CD and restart the server. At this point, the installation program for the operating system takes control to complete the installation.

Installing your operating system without using ServerGuide

If you have already configured the server hardware and you are not using the ServerGuide program to install your operating system, complete the following steps to download the latest operating-system installation instructions from the IBM website.

Note: Changes are made periodically to the IBM website. The actual procedure might vary slightly from what is described in this document.

1. Go to <http://www.ibm.com/supportportal/>.
2. Under **Product support**, click **System x**.
3. From the menu on the left side of the page, click **System x support search**.
4. From the **Task** menu, select **Install**.
5. From the **Product family** menu, select **System x3550 M2**.
6. From the **Operating system** menu, select your operating system, and then click **Search** to display the available installation documents.

Using the integrated management module

The integrated management module (IMM) is a second generation of the functions that were formerly provided by the baseboard management controller hardware. It combines service processor functions, video controller, and (when an optional virtual media key is installed) remote presence function in a single chip.

The IMM supports the following basic systems-management features:

- Environmental monitor with fan speed control for temperature, voltages, fan failure, and power supply failure.
- Light path diagnostics LEDs indicators to report errors that occur with fans, power supplies, microprocessor, hard disk drives, and system errors.
- DIMM error assistance. The Unified Extensible Firmware Interface (UEFI) disables a failing DIMM that is detected during POST, and the IMM lights the associated system error LED and the failing DIMM error LED.
- System event log (SEL).
- ROM-based IMM firmware flash updates.
- Auto Boot Failure Recovery (ABR).
- A virtual media key, which enables remote presence support (remote video, remote keyboard/mouse, and remote storage).
- Automatic microprocessor disable on failure and restart in a two-microprocessor configuration when one microprocessor signals an internal error. When one of the microprocessors fail, the server will disable the failing microprocessor and restart with the other microprocessor.
- Nonmaskable interrupt (NMI) detection and reporting.
- Automatic Server Restart (ASR) when POST is not complete or the operating system hangs and the operating system watchdog timer times-out. The IMM might be configured to watch for the operating system watchdog timer and reboot the system after a timeout, if the ASR feature is enabled. Otherwise, the IMM allows the administrator to generate a nonmaskable interrupt (NMI) by pressing an NMI button on the light path diagnostics panel for an operating-system memory dump. ASR is supported by IPMI.
- Intelligent Platform Management Interface (IPMI) Specification V2.0 and Intelligent Platform Management Bus (IPMB) support.
- Invalid system configuration (CNFG) LED support.

- Serial port redirection over telnet or ssh.
- Serial over LAN (SOL).
- Active Energy Manager.
- Query power-supply input power.
- PECI 2 support.
- Power/reset control (power-on, hard and soft shutdown, hard and soft reset, schedule power control).
- Alerts (in-band and out-of-band alerting, PET traps - IPMI style, SNMP, e-mail).
- Operating-system failure blue screen capture.
- Command-line interface.
- Configuration save and restore.
- PCI configuration data.
- Boot sequence manipulation.

The IMM also provides the following remote server management capabilities through the OSA SMBridge management utility program:

- **Command-line interface (IPMI Shell)**

The command-line interface provides direct access to server management functions through the IPMI 2.0 protocol. Use the command-line interface to issue commands to control the server power, view system information, and identify the server. You can also save one or more commands as a text file and run the file as a script.

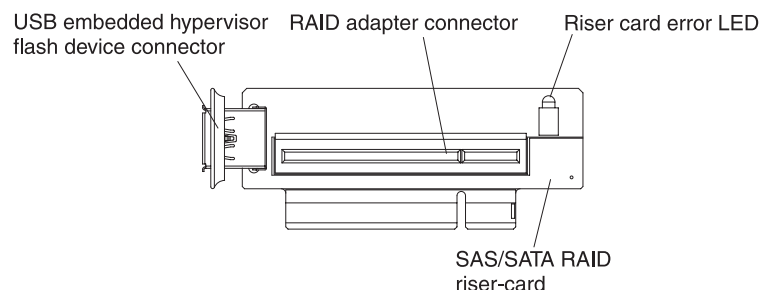
- **Serial over LAN**

Establish a Serial over LAN (SOL) connection to manage servers from a remote location. You can remotely view and change the UEFI settings, restart the server, identify the server, and perform other management functions. Any standard Telnet client application can access the SOL connection.

For more information about IMM, see the *Integrated Management Module User's Guide* at <http://www.ibm.com/systems/support/supportsite.wss/docdisplay?Indocid=MIGR-5079770&brandind=5000008>.

Using the embedded hypervisor

The VMware ESXi embedded hypervisor is available on server models that come with an installed USB embedded hypervisor flash device. The USB flash device comes installed in the USB connector on the SAS/SATA RAID riser card (see the following illustration). Hypervisor is virtualization software that enables multiple operating systems to run on a host system at the same time. The USB flash device is required to activate the hypervisor functions.



To start using the embedded hypervisor functions, you must add the USB flash device to the boot order in the Setup utility.

To add the USB flash device to the boot order, complete the following steps:

1. Turn on the server.

Note: Approximately 20 to 40 seconds after the server is connected to power, the power-control button becomes active.

2. When the prompt <F1> Setup is displayed, press F1.
3. From the Setup utility main menu, select **Boot Manager**.
4. Select **Add Boot Option**; then, select **Embedded Hypervisor**. Press Enter, and then select Esc.
5. Select **Change Boot Order** and then select **Commit Changes**; then, press Enter.
6. Select **Save Settings** and then select **Exit Setup**.

If the embedded hypervisor flash device image becomes corrupt, you can use the *VMware Recovery* CD to recover the flash device image. To recover the flash device image, complete the following steps:

1. Turn on the server.

Note: Approximately 20 to 40 seconds after the server is connected to power, the power-control button becomes active.

2. Insert the VMware Recovery CD into the CD or DVD drive.
3. Follow the instructions on the screen.

For additional information and instructions, see the *ESXi Embedded and vCenter Server Setup Guide* at http://www.vmware.com/pdf/vsphere4/r40_u1/vsp_40_u1_esxi_e_vc_setup_guide.pdf.

Using the remote presence capability and blue-screen capture

The remote presence and blue-screen capture features are integrated functions of the integrated management module (IMM). When the optional IBM Virtual Media Key is installed in the server, it activates the remote presence functions. The virtual media key is required to enable the integrated remote presence and blue-screen capture features. Without the virtual media key, you will not be able to access the network remotely to mount or unmount drives or images on the client system. However, you can still access the Web interface without the key.

After the virtual media key is installed in the server, it is authenticated to determine whether it is valid. If the key is not valid, you receive a message from the Web interface (when you attempt to start the remote presence feature) indicating that the hardware key is required to use the remote presence feature.

The virtual media key has an LED. When this LED is lit and green, it indicates that the key is installed and functioning correctly. When the LED is not lit, it indicates that the key might not be installed correctly.

The remote presence feature provides the following functions:

- Remotely viewing video with graphics resolutions up to 1600 x 1200 at 75 Hz, regardless of the system state

- Remotely accessing the server, using the keyboard and mouse from a remote client
- Mapping the CD or DVD drive, diskette drive, and USB flash drive on a remote client, and mapping ISO and diskette image files as virtual drives that are available for use by the server
- Uploading a diskette image to the IMM memory and mapping it to the server as a virtual drive

The blue-screen capture feature captures the video display contents before the IMM restarts the server when the IMM detects an operating-system hang condition. A system administrator can use the blue-screen capture to assist in determining the cause of the hang condition.

Enabling the remote presence feature

To enable the remote presence feature, complete the following steps:

1. Install the virtual media key into the dedicated slot on the system board (see “System-board optional device connectors” on page 46).
2. Turn on the server.

Note: Approximately 20 to 40 seconds after the server is connected to power, the power-control button becomes active.

Obtaining the IP address for the IMM

To access the Web interface, you need the IP address for the IMM. You can obtain the IMM IP address through the Setup utility. The server comes with a default IP address for the IMM of 192.168.70.125. To locate the IP address, complete the following steps:

1. Turn on the server.

Note: Approximately 20 to 40 seconds after the server is connected to power, the power-control button becomes active.

2. When the prompt <F1> Setup is displayed, press F1. (This prompt is displayed on the screen for only a few seconds. You must press F1 quickly.) If you have set both a power-on password and an administrator password, you must type the administrator password to access the full Setup utility menu.
3. From the Setup utility main menu, select **System Settings**.
4. On the next screen, select **Integrated Management Module**.
5. On the next screen, select **Network Configuration**.
6. Find the IP address and write it down.
7. Exit from the Setup utility.

Logging on to the Web interface

To log on to the Web interface to use the remote presence functions, complete the following steps:

1. Open a Web browser on a computer that connects to the server and in the **address** or **URL** field, type the IP address or host name of the IMM to which you want to connect.

Note: The IMM defaults to DHCP. If a DHCP host is not available, the IMM assigns a static IP address of 192.168.70.125.

2. On the Login page, type the user name and password. If you are using the IMM for the first time, you can obtain the user name and password from your system administrator. All login attempts are documented in the event log.

Note: The IMM is set initially with a user name of USERID and password of PASSWORD (passw0rd with a zero, not a the letter O). You have read/write access. You must change the default password the first time you log on.

3. On the Welcome page, type a timeout value (in minutes) in the field that is provided. The IMM will log you off of the Web interface if your browser is inactive for the number of minutes that you entered for the timeout value.
4. Click **Continue** to start the session. The System Health page provides a quick view of the system status.

Enabling the Broadcom Gigabit Ethernet Utility program

The Broadcom Gigabit Ethernet Utility program is part of the server firmware. You can use it to configure the network as a startable device, and you can customize where the network startup option appears in the startup sequence. Enable and disable the Broadcom Gigabit Ethernet Utility program from the Setup utility.

Configuring the Gigabit Ethernet controller

The Ethernet controllers are integrated on the system board. They provide an interface for connecting to a 10 Mbps, 100 Mbps, or 1 Gbps network and provide full-duplex (FDX) capability, which enables simultaneous transmission and reception of data on the network. If the Ethernet ports in the server support auto-negotiation, the controllers detect the data-transfer rate (10BASE-T, 100BASE-TX, or 1000BASE-T) and duplex mode (full-duplex or half-duplex) of the network and automatically operate at that rate and mode.

You do not have to set any jumpers or configure the controllers. However, you must install a device driver to enable the operating system to address the controllers.

To find device drivers and information about configuring the Ethernet controllers, complete the following steps:

1. Go to <http://www.ibm.com/supportportal/>.
2. Under **Product support**, click **System x**.
3. Under **Popular links**, click **Software and device drivers**.
4. From the **Product family** menu, select **System x3550 M2** and click **Go**.

Note: Changes are made periodically to the IBM website. The actual procedure might vary slightly from what is described in this document.

Using LSI Configuration Utility program

Use the LSI Configuration Utility program to configure and manage redundant array of independent disks (RAID) arrays. Be sure to use this program as described in this document.

- Use the LSI Configuration Utility program to perform the following tasks:
 - Perform a low-level format on a hard disk drive
 - Create an array of hard disk drives with or without a hot-spare drive
 - Set protocol parameters on hard disk drives

The integrated SAS/SATA controller with RAID capabilities supports RAID arrays. You can use the LSI Configuration Utility program to configure RAID 1 (IM), RAID 1E (IME), and RAID 0 (IS) for a single pair of attached devices. If you install the optional ServeRAID-MR10i SAS/SATA controller, it provides RAID levels 0, 1, 5, 6, 10, 50, and 60 support. If you install a different type of RAID adapter, follow the instructions in the documentation that comes with the adapter to view or change settings for attached devices.

In addition, you can download an LSI command-line configuration program from <http://www.ibm.com/supportportal/>.

When you are using the LSI Configuration Utility program to configure and manage arrays, consider the following information:

- The integrated SAS/SATA controller with RAID capabilities supports the following features:
 - Integrated Mirroring (IM) with hot-spare support (also known as RAID 1)
Use this option to create an integrated array of two disks plus up to two optional hot spares. All data on the primary disk can be migrated.
 - Integrated Mirroring Enhanced (IME) with hot-spare support (also known as RAID 1E)
Use this option to create an integrated mirror enhanced array of three to eight disks, including up to two optional hot spares. All data on the array disks will be deleted.
 - Integrated Striping (IS) (also known as RAID 0)
Use this option to create an integrated striping array of two to eight disks. All data on the array disks will be deleted.
- Hard disk drive capacities affect how you create arrays. The drives in an array can have different capacities, but the RAID controller treats them as if they all have the capacity of the smallest hard disk drive.
- If you use an integrated SAS/SATA controller with RAID capabilities to configure a RAID 1 (mirrored) array after you have installed the operating system, you will lose access to any data or applications that were previously stored on the secondary drive of the mirrored pair.
- If you install a different type of RAID controller, see the documentation that comes with the controller for information about viewing and changing settings for attached devices.

Starting the LSI Configuration Utility program

To start the LSI Configuration Utility program, complete the following steps:

1. Turn on the server.

Note: Approximately 20 to 40 seconds after the server is connected to power, the power-control button becomes active.

2. When the prompt <F1 Setup> is displayed, press F1. If you have set an administrator password, you are prompted to type the password.
3. Select **System Settings** → **Adapters and UEFI drivers**.
4. Select **Please refresh this page on the first visit** and press Enter.
5. Select **LSI controller_driver_name Driver** and press Enter, where *controller_driver_name* is the name of the SAS/SATA controller driver. For the SAS/SATA controller driver name, see the documentation that comes with your controller.

6. To perform storage-management tasks, follow the procedures in the documentation that comes with the SAS/SATA controller.

When you have finished changing settings, press Esc to exit from the program; select **Save** to save the settings that you have changed.

Formatting a hard disk drive

Low-level formatting removes all data from the hard disk. If there is data on the disk that you want to save, back up the hard disk before you perform this procedure.

Note: Before you format a hard disk, make sure that the disk is not part of a mirrored pair.

To format a drive, complete the following steps:

1. From the list of adapters, select the controller (channel) for the drive that you want to format and press Enter.
2. Select **SAS Topology** and press Enter.
3. Select **Direct Attach Devices** and press Enter.
4. To highlight the drive that you want to format, use the Up Arrow and Down Arrow keys. To scroll left and right, use the Left Arrow and Right Arrow keys or the End key. Press Alt+D.
5. To start the low-level formatting operation, select **Format** and press Enter.

Creating a RAID array of hard disk drives

To create a RAID array of hard disk drives, complete the following steps:

1. From the list of adapters, select the controller (channel) for the drives that you want to mirror.
2. Select **RAID Properties**.
3. Select the type of array that you want to create.
4. Use the arrow keys to highlight the first drive in the pair; then, press the Minus (-) or Plus (+) key to change the mirror value to **Primary**.
5. Continue to select the next drive using the Minus (-) or Plus (+) key until you have selected all the drives for your array.
6. Press C to create the disk array.
7. Select **Apply changes and exit menu** to create the array.

IBM Advanced Settings Utility program

The IBM Advanced Settings Utility (ASU) program is an alternative to the Setup utility for modifying UEFI settings. Use the ASU program online or out of band to modify UEFI settings from the command line without the need to restart the system to access the Setup utility.

You can also use the ASU program to configure the optional remote presence features or other IMM settings. The remote presence features provide enhanced systems-management capabilities.

In addition, the ASU program provides limited settings for configuring the IPMI function in the IMM through the command-line interface.

Use the command-line interface to issue setup commands. You can save any of the settings as a file and run the file as a script. The ASU program supports scripting environments through a batch-processing mode.

For more information and to download the ASU program, go to <http://www.ibm.com/supportportal/>.

Updating IBM Systems Director

If you plan to use IBM Systems Director to manage the server, you must check for the latest applicable IBM Systems Director updates and interim fixes.

Note: Changes are made periodically to the IBM website. The actual procedure might vary slightly from what is described in this document.

To locate and install a newer version of IBM Systems Director, complete the following steps:

1. Check for the latest version of IBM Systems Director:
 - a. Go to <http://www.ibm.com/systems/management/director/downloads.html>.
 - b. If a newer version of IBM Systems Director than what comes with the server is shown in the drop-down list, follow the instructions on the web page to download the latest version.
2. Install the IBM Systems Director program.

If your management server is connected to the Internet, to locate and install updates and interim fixes, complete the following steps:

1. Make sure that you have run the Discovery and Inventory collection tasks.
2. On the Welcome page of the IBM Systems Director web interface, click **View updates**.
3. Click **Check for updates**. The available updates are displayed in a table.
4. Select the updates that you want to install, and click **Install** to start the installation wizard.

If your management server is not connected to the Internet, to locate and install updates and interim fixes, complete the following steps:

1. Make sure that you have run the Discovery and Inventory collection tasks.
2. On a system that is connected to the Internet, go to <http://www.ibm.com/eserver/support/fixes/fixcentral/>.
3. From the **Product family** list, select **IBM Systems Director**.
4. From the **Product** list, select **IBM Systems Director**.
5. From the **Installed version** list, select the latest version, and click **Continue**.
6. Download the available updates.
7. Copy the downloaded files to the management server.
8. On the management server, on the Welcome page of the IBM Systems Director Web interface, click the **Manage** tab, and click **Update Manager**.
9. Click **Import updates** and specify the location of the downloaded files that you copied to the management server.
10. Return to the Welcome page of the Web interface, and click **View updates**.
11. Select the updates that you want to install, and click **Install** to start the installation wizard.

The Update*Xpress* System Pack Installer

The Update*Xpress* System Pack Installer detects supported and installed device drivers and firmware in the server and installs available updates. For additional information and to download the Update*Xpress* System Pack Installer, go to the System x and BladeCenter Tools Center at <http://publib.boulder.ibm.com/infocenter/toolsctr/v1r0/index.jsp> and click **Update*Xpress* System Pack Installer**.

Appendix A. Getting help and technical assistance

If you need help, service, or technical assistance or just want more information about IBM products, you will find a wide variety of sources available from IBM to assist you. Use this information to obtain additional information about IBM and IBM products, determine what to do if you experience a problem with your IBM system or optional device, and determine whom to call for service, if it is necessary.

Before you call

Before you call, make sure that you have taken these steps to try to solve the problem yourself:

- Check all cables to make sure that they are connected.
- Check the power switches to make sure that the system and any optional devices are turned on.
- Check for updated firmware and operating-system device drivers for your IBM product. The IBM Warranty terms and conditions state that you, the owner of the IBM product, are responsible for maintaining and updating all software and firmware for the product (unless it is covered by an additional maintenance contract). Your IBM service technician will request that you upgrade your software and firmware if the problem has a documented solution within a software upgrade.
- If you have installed new hardware or software in your environment, check <http://www.ibm.com/systems/info/x86servers/serverproven/compat/us/> to make sure that the hardware and software is supported by your IBM product.
- Go to <http://www.ibm.com/supportportal/> to check for information to help you solve the problem.
- Gather the following information to provide to IBM Support. This data will help IBM Support quickly provide a solution to your problem and ensure that you receive the level of service for which you might have contracted.
 - Hardware and Software Maintenance agreement contract numbers, if applicable
 - Machine type number (IBM 4-digit machine identifier)
 - Model number
 - Serial number
 - Current system UEFI and firmware levels
 - Other pertinent information such as error messages and logs
- Go to http://www.ibm.com/support/entry/portal/Open_service_request/ to submit an Electronic Service Request. Submitting an Electronic Service Request will start the process of determining a solution to your problem by making the pertinent information available to IBM Support quickly and efficiently. IBM service technicians can start working on your solution as soon as you have completed and submitted an Electronic Service Request.

You can solve many problems without outside assistance by following the troubleshooting procedures that IBM provides in the online help or in the documentation that is provided with your IBM product. The documentation that comes with IBM systems also describes the diagnostic tests that you can perform. Most systems, operating systems, and programs come with documentation that

contains troubleshooting procedures and explanations of error messages and error codes. If you suspect a software problem, see the documentation for the operating system or program.

Using the documentation

Information about your IBM system and preinstalled software, if any, or optional device is available in the documentation that comes with the product. That documentation can include printed documents, online documents, readme files, and help files. See the troubleshooting information in your system documentation for instructions for using the diagnostic programs. The troubleshooting information or the diagnostic programs might tell you that you need additional or updated device drivers or other software. IBM maintains pages on the World Wide Web where you can get the latest technical information and download device drivers and updates. To access these pages, go to <http://www.ibm.com/supportportal/>. Also, some documents are available through the IBM Publications Center at <http://www.ibm.com/shop/publications/order/>.

Getting help and information from the World Wide Web

On the World Wide Web, up-to-date information about IBM systems, optional devices, services, and support is available at <http://www.ibm.com/supportportal/>. The address for IBM System x[®] information is <http://www.ibm.com/systems/x/>. The address for IBM BladeCenter[®] information is <http://www.ibm.com/systems/bladecenter/>. The address for IBM IntelliStation[®] information is <http://www.ibm.com/systems/intellistation/>.

How to send Dynamic System Analysis data to IBM

Use the IBM Enhanced Customer Data Repository to send diagnostic data to IBM. Before you send diagnostic data to IBM, read the terms of use at <http://www.ibm.com/de/support/ecurep/terms.html>.

You can use any of the following methods to send diagnostic data to IBM:

- **Standard upload:** http://www.ibm.com/de/support/ecurep/send_http.html
- **Standard upload with the system serial number:** http://www.ecurep.ibm.com/app/upload_hw
- **Secure upload:** http://www.ibm.com/de/support/ecurep/send_http.html#secure
- **Secure upload with the system serial number:** https://www.ecurep.ibm.com/app/upload_hw

Creating a personalized support web page

At <http://www.ibm.com/support/mynotifications/>, you can create a personalized support web page by identifying IBM products that are of interest to you. From this personalized page, you can subscribe to weekly email notifications about new technical documents, search for information and downloads, and access various administrative services.

Software service and support

Through IBM Support Line, you can get telephone assistance, for a fee, with usage, configuration, and software problems with your IBM products. For information about which products are supported by Support Line in your country or region, see <http://www.ibm.com/services/supline/products/>.

For more information about Support Line and other IBM services, see <http://www.ibm.com/services/>, or see <http://www.ibm.com/planetwide/> for support telephone numbers. In the U.S. and Canada, call 1-800-IBM-SERV (1-800-426-7378).

Hardware service and support

You can receive hardware service through your IBM reseller or IBM Services. To locate a reseller authorized by IBM to provide warranty service, go to <http://www.ibm.com/partnerworld/> and click **Find Business Partners** on the right side of the page. For IBM support telephone numbers, see <http://www.ibm.com/planetwide/>. In the U.S. and Canada, call 1-800-IBM-SERV (1-800-426-7378).

In the U.S. and Canada, hardware service and support is available 24 hours a day, 7 days a week. In the U.K., these services are available Monday through Friday, from 9 a.m. to 6 p.m.

IBM Taiwan product service

台灣 IBM 產品服務聯絡方式：
台灣國際商業機器股份有限公司
台北市松仁路7號3樓
電話：0800-016-888

IBM Taiwan product service contact information:
IBM Taiwan Corporation
3F, No 7, Song Ren Rd.
Taipei, Taiwan
Telephone: 0800-016-888

Appendix B. Notices

This information was developed for products and services offered in the U.S.A.

IBM may not offer the products, services, or features discussed in this document in other countries. Consult your local IBM representative for information on the products and services currently available in your area. Any reference to an IBM product, program, or service is not intended to state or imply that only that IBM product, program, or service may be used. Any functionally equivalent product, program, or service that does not infringe any IBM intellectual property right may be used instead. However, it is the user's responsibility to evaluate and verify the operation of any non-IBM product, program, or service.

IBM may have patents or pending patent applications covering subject matter described in this document. The furnishing of this document does not give you any license to these patents. You can send license inquiries, in writing, to:

*IBM Director of Licensing
IBM Corporation
North Castle Drive
Armonk, NY 10504-1785
U.S.A.*

INTERNATIONAL BUSINESS MACHINES CORPORATION PROVIDES THIS PUBLICATION "AS IS" WITHOUT WARRANTY OF ANY KIND, EITHER EXPRESS OR IMPLIED, INCLUDING, BUT NOT LIMITED TO, THE IMPLIED WARRANTIES OF NON-INFRINGEMENT, MERCHANTABILITY OR FITNESS FOR A PARTICULAR PURPOSE. Some states do not allow disclaimer of express or implied warranties in certain transactions, therefore, this statement may not apply to you.

This information could include technical inaccuracies or typographical errors. Changes are periodically made to the information herein; these changes will be incorporated in new editions of the publication. IBM may make improvements and/or changes in the product(s) and/or the program(s) described in this publication at any time without notice.

Any references in this information to non-IBM websites are provided for convenience only and do not in any manner serve as an endorsement of those websites. The materials at those websites are not part of the materials for this IBM product, and use of those websites is at your own risk.

IBM may use or distribute any of the information you supply in any way it believes appropriate without incurring any obligation to you.

Trademarks

IBM, the IBM logo, and [ibm.com](http://www.ibm.com) are trademarks of International Business Machines Corp., registered in many jurisdictions worldwide. Other product and service names might be trademarks of IBM or other companies. A current list of IBM trademarks is available on the web at "Copyright and trademark information" at <http://www.ibm.com/legal/copytrade.shtml>.

Adobe and PostScript are either registered trademarks or trademarks of Adobe Systems Incorporated in the United States and/or other countries.

Cell Broadband Engine is a trademark of Sony Computer Entertainment, Inc., in the United States, other countries, or both and is used under license therefrom.

Intel, Intel Xeon, Itanium, and Pentium are trademarks or registered trademarks of Intel Corporation or its subsidiaries in the United States and other countries.

Java and all Java-based trademarks and logos are trademarks or registered trademarks of Oracle and/or its affiliates.

Linux is a registered trademark of Linus Torvalds in the United States, other countries, or both.

Microsoft, Windows, and Windows NT are trademarks of Microsoft Corporation in the United States, other countries, or both.

UNIX is a registered trademark of The Open Group in the United States and other countries.

Important notes

Processor speed indicates the internal clock speed of the microprocessor; other factors also affect application performance.

CD or DVD drive speed is the variable read rate. Actual speeds vary and are often less than the possible maximum.

When referring to processor storage, real and virtual storage, or channel volume, KB stands for 1024 bytes, MB stands for 1,048,576 bytes, and GB stands for 1,073,741,824 bytes.

When referring to hard disk drive capacity or communications volume, MB stands for 1,000,000 bytes, and GB stands for 1,000,000,000 bytes. Total user-accessible capacity can vary depending on operating environments.

Maximum internal hard disk drive capacities assume the replacement of any standard hard disk drives and population of all hard disk drive bays with the largest currently supported drives that are available from IBM.

Maximum memory might require replacement of the standard memory with an optional memory module.

IBM makes no representation or warranties regarding non-IBM products and services that are ServerProven[®], including but not limited to the implied warranties of merchantability and fitness for a particular purpose. These products are offered and warranted solely by third parties.

IBM makes no representations or warranties with respect to non-IBM products. Support (if any) for the non-IBM products is provided by the third party, not IBM.

Some software might differ from its retail version (if available) and might not include user manuals or all program functionality.

Particulate contamination

Attention: Airborne particulates (including metal flakes or particles) and reactive gases acting alone or in combination with other environmental factors such as humidity or temperature might pose a risk to the server that is described in this document. Risks that are posed by the presence of excessive particulate levels or concentrations of harmful gases include damage that might cause the server to malfunction or cease functioning altogether. This specification sets forth limits for particulates and gases that are intended to avoid such damage. The limits must not be viewed or used as definitive limits, because numerous other factors, such as temperature or moisture content of the air, can influence the impact of particulates or environmental corrosives and gaseous contaminant transfer. In the absence of specific limits that are set forth in this document, you must implement practices that maintain particulate and gas levels that are consistent with the protection of human health and safety. If IBM determines that the levels of particulates or gases in your environment have caused damage to the server, IBM may condition provision of repair or replacement of servers or parts on implementation of appropriate remedial measures to mitigate such environmental contamination. Implementation of such remedial measures is a customer responsibility.

Table 15. Limits for particulates and gases

Contaminant	Limits
Particulate	<ul style="list-style-type: none">The room air must be continuously filtered with 40% atmospheric dust spot efficiency (MERV 9) according to ASHRAE Standard 52.2¹.Air that enters a data center must be filtered to 99.97% efficiency or greater, using high-efficiency particulate air (HEPA) filters that meet MIL-STD-282.The deliquescent relative humidity of the particulate contamination must be more than 60%².The room must be free of conductive contamination such as zinc whiskers.
Gaseous	<ul style="list-style-type: none">Copper: Class G1 as per ANSI/ISA 71.04-1985³Silver: Corrosion rate of less than 300 Å in 30 days

¹ ASHRAE 52.2-2008 - *Method of Testing General Ventilation Air-Cleaning Devices for Removal Efficiency by Particle Size*. Atlanta: American Society of Heating, Refrigerating and Air-Conditioning Engineers, Inc.

² The deliquescent relative humidity of particulate contamination is the relative humidity at which the dust absorbs enough water to become wet and promote ionic conduction.

³ ANSI/ISA-71.04-1985. *Environmental conditions for process measurement and control systems: Airborne contaminants*. Instrument Society of America, Research Triangle Park, North Carolina, U.S.A.

Documentation format

The publications for this product are in Adobe Portable Document Format (PDF) and should be compliant with accessibility standards. If you experience difficulties when you use the PDF files and want to request a Web-based format or accessible PDF document for a publication, direct your mail to the following address:

*Information Development
IBM Corporation
205/A015
3039 E. Cornwallis Road
P.O. Box 12195
Research Triangle Park, North Carolina 27709-2195*

U.S.A.

In the request, be sure to include the publication part number and title.

When you send information to IBM, you grant IBM a nonexclusive right to use or distribute the information in any way it believes appropriate without incurring any obligation to you.

Telecommunication regulatory statement

This product is not intended to be connected directly or indirectly by any means whatsoever to interfaces of public telecommunications networks, nor is it intended to be used in a public services network.

Electronic emission notices

When you attach a monitor to the equipment, you must use the designated monitor cable and any interference suppression devices that are supplied with the monitor.

Federal Communications Commission (FCC) statement

Note: This equipment has been tested and found to comply with the limits for a Class A digital device, pursuant to Part 15 of the FCC Rules. These limits are designed to provide reasonable protection against harmful interference when the equipment is operated in a commercial environment. This equipment generates, uses, and can radiate radio frequency energy and, if not installed and used in accordance with the instruction manual, may cause harmful interference to radio communications. Operation of this equipment in a residential area is likely to cause harmful interference, in which case the user will be required to correct the interference at his own expense.

Properly shielded and grounded cables and connectors must be used in order to meet FCC emission limits. IBM is not responsible for any radio or television interference caused by using other than recommended cables and connectors or by unauthorized changes or modifications to this equipment. Unauthorized changes or modifications could void the user's authority to operate the equipment.

This device complies with Part 15 of the FCC Rules. Operation is subject to the following two conditions: (1) this device may not cause harmful interference, and (2) this device must accept any interference received, including interference that may cause undesired operation.

Industry Canada Class A emission compliance statement

This Class A digital apparatus complies with Canadian ICES-003.

Avis de conformité à la réglementation d'Industrie Canada

Cet appareil numérique de la classe A est conforme à la norme NMB-003 du Canada.

Australia and New Zealand Class A statement

Attention: This is a Class A product. In a domestic environment this product may cause radio interference in which case the user may be required to take adequate measures.

European Union EMC Directive conformance statement

This product is in conformity with the protection requirements of EU Council Directive 2004/108/EC on the approximation of the laws of the Member States relating to electromagnetic compatibility. IBM cannot accept responsibility for any failure to satisfy the protection requirements resulting from a nonrecommended modification of the product, including the fitting of non-IBM option cards.

Attention: This is an EN 55022 Class A product. In a domestic environment this product may cause radio interference in which case the user may be required to take adequate measures.

Responsible manufacturer:
International Business Machines Corp.
New Orchard Road
Armonk, New York 10504
914-499-1900

European Community contact:
IBM Deutschland GmbH
Technical Regulations, Department M372
IBM-Allee 1, 71139 Ehningen, Germany
Telephone: +49 7032 15 2941
Email: lugi@de.ibm.com

Germany Class A statement

Deutschsprachiger EU Hinweis:

Hinweis für Geräte der Klasse A EU-Richtlinie zur Elektromagnetischen Verträglichkeit

Dieses Produkt entspricht den Schutzanforderungen der EU-Richtlinie 2004/108/EG zur Angleichung der Rechtsvorschriften über die elektromagnetische Verträglichkeit in den EU-Mitgliedsstaaten und hält die Grenzwerte der EN 55022 Klasse A ein.

Um dieses sicherzustellen, sind die Geräte wie in den Handbüchern beschrieben zu installieren und zu betreiben. Des Weiteren dürfen auch nur von der IBM empfohlene Kabel angeschlossen werden. IBM übernimmt keine Verantwortung für die Einhaltung der Schutzanforderungen, wenn das Produkt ohne Zustimmung der IBM verändert bzw. wenn Erweiterungskomponenten von Fremdherstellern ohne Empfehlung der IBM gesteckt/eingebaut werden.

EN 55022 Klasse A Geräte müssen mit folgendem Warnhinweis versehen werden: "Warnung: Dieses ist eine Einrichtung der Klasse A. Diese Einrichtung kann im Wohnbereich Funk-Störungen verursachen; in diesem Fall kann vom Betreiber verlangt werden, angemessene Maßnahmen zu ergreifen und dafür aufzukommen."

Deutschland: Einhaltung des Gesetzes über die elektromagnetische Verträglichkeit von Geräten

Dieses Produkt entspricht dem "Gesetz über die elektromagnetische Verträglichkeit von Geräten (EMVG)". Dies ist die Umsetzung der EU-Richtlinie 2004/108/EG in der Bundesrepublik Deutschland.

Zulassungsbescheinigung laut dem Deutschen Gesetz über die elektromagnetische Verträglichkeit von Geräten (EMVG) (bzw. der EMC EG Richtlinie 2004/108/EG) für Geräte der Klasse A

Dieses Gerät ist berechtigt, in Übereinstimmung mit dem Deutschen EMVG das EG-Konformitätszeichen - CE - zu führen.

Verantwortlich für die Einhaltung der EMV Vorschriften ist der Hersteller:

International Business Machines Corp.
New Orchard Road
Armonk, New York 10504
914-499-1900

Der verantwortliche Ansprechpartner des Herstellers in der EU ist:

IBM Deutschland GmbH
Technical Regulations, Abteilung M372
IBM-Allee 1, 71139 Ehningen, Germany
Telephone: +49 7032 15 2941
Email: lugi@de.ibm.com

Generelle Informationen:

Das Gerät erfüllt die Schutzanforderungen nach EN 55024 und EN 55022 Klasse A.

VCCI Class A statement

この装置は、クラス A 情報技術装置です。この装置を家庭環境で使用すると電波妨害を引き起こすことがあります。この場合には使用者が適切な対策を講ずるよう要求されることがあります。 VCCI-A

This is a Class A product based on the standard of the Voluntary Control Council for Interference (VCCI). If this equipment is used in a domestic environment, radio interference may occur, in which case the user may be required to take corrective actions.

Japan Electronics and Information Technology Industries Association (JEITA) statement

高調波ガイドライン適合品

Japanese Electronics and Information Technology Industries Association (JEITA)
Confirmed Harmonics Guideline (products less than or equal to 20 A per phase)

Korea Communications Commission (KCC) statement

이 기기는 업무용(A급)으로 전자파적합기기로서 판매자 또는 사용자는 이 점을 주의하시기 바라며, 가정외의 지역에서 사용하는 것을 목적으로 합니다.

This is electromagnetic wave compatibility equipment for business (Type A). Sellers and users need to pay attention to it. This is for any areas other than home.

Russia Electromagnetic Interference (EMI) Class A statement

ВНИМАНИЕ! Настоящее изделие относится к классу А.
В жилых помещениях оно может создавать радиопомехи, для
снижения которых необходимы дополнительные меры

People's Republic of China Class A electronic emission statement

声 明

此为 A 级产品。在生活环境中，
该产品可能会造成无线电干扰。
在这种情况下，可能需要用户对其
干扰采取切实可行的措施。

Taiwan Class A compliance statement

警告使用者：
這是甲類的資訊產品，在
居住的環境中使用時，可
能會造成射頻干擾，在這
種情況下，使用者會被要
求採取某些適當的對策。

Index

A

- ac good LED 29
- ac power LED 27
- accessible documentation 117
- acoustical noise emissions 7
- Active Energy Manager plug-in 10
- active memory 9
- adapter
 - remote battery
 - installing 82
- adapter, installation 64
- adapters supported 64
- administrator password 95
- air baffle
 - removing from microprocessor 2 50
- assistance, getting 111
- attention notices 5
- availability 11

B

- backup firmware
 - starting 99
- bays 6
- before you install a legacy operating system 101
- blue screen capture features 9
- blue-screen capture feature
 - overview 9, 105
- boot manager program
 - using 99
- button, presence detection 16

C

- cables
 - connecting 88
- caution statements 5
- CD-RW/DVD
 - drive activity LED 15
 - eject button 15
- CD/DVD drive
 - installing 60
- Class A electronic emission notice 118
- completing
 - the options installation 86
- components
 - on the server 35
- configuration programs
 - LSI Configuration Utility 91
- configuration, server
 - updating 89
- configuring
 - with ServerGuide 101
- configuring the server 91
- connecting
 - the cables 88

- connector
 - Ethernet 26
 - Ethernet systems-management 26
 - power supply 26
 - serial 26
 - USB 15, 26
 - video
 - front 15
 - rear 26
- connectors
 - for options on the system board 46
 - on the rear of the server 26
- connectors, external system board 37
- connectors, internal system board 36
- contamination, particulate and gaseous 6, 117
- controllers
 - Ethernet 106
- controls and LEDs
 - on the light path diagnostics panel 16
 - on the operator information panel 15
- controls, LEDs, and power 14
- cooling 11
- cover
 - replacing 88
- cover, removing 49
- creating
 - RAID array 108

D

- danger statements 5
- dc good LED 29
- dc power LED 27
- dc power supply LED errors 29
- device drivers 110
- device drivers, updates 13
- devices, static-sensitive
 - handling 48
- diagnostic data 112
- diagnostics program
 - DSA Preboot 8
- DIMM installation sequence
 - for memory mirroring 55
- DIMMs
 - installing 52
 - order of installation for non-mirroring mode 53
- display area, checkpoint
 - on the light path diagnostics panel 17
- documentation
 - Documentation Browser 3
 - Documentation CD 3
- documentation format 117
- documentation, updated
 - finding 5
- drives 10
 - installing 57
- Dynamic System Analysis 112

Dynamic System Analysis (DSA) Preboot diagnostics program 8

E

electrical input 7
electronic emission Class A notice 118
embedded hypervisor
 using 103
enclosure manager heartbeat
 LED 30
Enterprise X-Architecture technology 9
environment 6
errors
 dc power supply LEDs 29
Ethernet 11
 link status LED 27
 systems-management connector 26
Ethernet activity
 LED 16, 27
Ethernet connector 26
Ethernet support 10
expansion bays 6
external, system board connectors 37

F

fans 11
 size 7
 weight 7
FCC Class A notice 118
features 6
 ServerGuide 100
features, remote presence and blue-screen 9
finding
 updated documentation 5
firmware updates 2
firmware, server
 updating 74
formatting
 hard disk drive 108
front view
 LED location 14
front view of the server 14

G

gaseous contamination 6, 117
getting help 111
grease, thermal 77
guidelines
 for options installation 46
 for system reliability 47

H

handling static-sensitive devices 48
hard disk drive
 formatting 108

hard disk drive (SATA), installing (simple-swap 2.5-inch) 59
hard disk drive activity LED 15
hard disk drive status LED 15
hard disk drive, installing (hot-swap 2.5-inch) 58
hardware service and support 113
heat output 6
heat sink
 installing 73, 76
help, getting 111
hot-swap disk drive, installing 2.5-inch 58
hot-swap drive
 SAS/SATA IDs 59
humidity 6
hypervisor flash device
 installing 81

I

IBM Advanced Settings Utility program
 overview 108
IBM Support Line 112
IBM Systems Director 9
 systems management tool 13
 updating 109
IDs for SAS/SATA hot-swap drives 59
IDs for SATA simple-swap drives 60
IMM heartbeat
 LED 30
IMM IP address
 obtaining 105
important notices 5
IN OK LED 30
installation guidelines 46
installation, options
 completing 86
installing
 2.5-inch hot-swap hard disk drive 58
 2.5-inch simple-swap SATA hard disk drive 59
 a heat sink 76
 a hot-swap power supply 78
 a microprocessor 73, 74
 an adapter 64
 CD/DVD drive 60
 hypervisor flash device 81
 memory modules 52
 RAID adapter remote battery 82
 simple-swap SATA hard disk drives 59
 the heat sink 73, 76
 the IBM ServeRAID-MR10i controller 71
 the virtual media key 81
installing drives 57
installing options 35
integrated baseboard management controller 33
integrated functions 7
integrated management module
 LED 30
 overview 8
internal, system board connectors 36
IP address
 obtaining for the IMM 105

J

- jumpers and switches
 - on the system board 38
- jumpers description
 - for the Pass 9 level system board 41
- jumpers, description
 - for the Pass 8 level system board 38
- jumpers, Pass 8 level system board 38
- jumpers, Pass 9 level system board 41

K

- key, virtual media 9
 - installing 81

L

- LED
 - ac power 27
 - dc power 27
 - Ethernet-link status 27
 - for CD-RW/DVD drive activity 15
 - for Ethernet activity 16, 27
 - for hard disk drive activity 15
 - for hard disk drive status 15
 - integrated management module 30
 - power supply error
 - rear 27
 - power-on 15
 - rear 27
 - system information 16
 - system locator 16
 - system-error 16
 - rear 27
 - system-locator
 - rear 28
- LED errors
 - dc power supply 29
- LED,
 - enclosure manager heartbeat 30
 - IMM heartbeat 30
- LEDs
 - on the power-supply 28
 - and detected problems 28
 - on the system board 45
- LEDs, system pulse 30
- legacy operating system
 - requirement 101
- License Agreement for Machine Code 4
- Licenses and Attributions Documents 4
- light path diagnostics 10
- light path diagnostics LEDs 18
- light path diagnostics panel
 - checkpoint code display 17
 - controls and LEDs 16
 - location 15
 - NMI button 17
- Linux license agreement 4
- local area network (LAN) 10
- LSI Configuration program 106

M

- management, system 8
- memory 9
 - specifications 6
- memory installation sequence
 - for non-mirroring mode 53
- memory mirroring
 - description 54
 - DIMM population sequence 55
- memory module
 - installing 52
- memory support 10
- menu choices
 - for the Setup utility 93
- microprocessor 9
 - and thermal grease 77
 - installing 73, 74
 - specifications 6
- microprocessor 2 air baffle
 - removing 50
- mirroring mode 54

N

- NMI button
 - on the light path diagnostics panel 17
- NOS installation
 - with ServerGuide 101
 - without ServerGuide 102
- notes 5
- notes, important 116
- notices 115
 - electronic emission 118
 - FCC, Class A 118
- notices and statements 5

O

- obtaining
 - the IP address for the IMM 105
- online documentation 2
- online publications 5
- operator information panel
 - controls and LEDs 15
- operator information panel release latch 15
- optical drive
 - specifications 6
- optional device connectors
 - on the system board 46
- options
 - installing 35
- OUT OK LED 30

P

- particulate contamination 6, 117
- pass 8 level system board
 - power-on password switch 97
- Pass 8 level system board, switches and jumpers 38

- pass 9 level system board
 - power-on password switch 98
- Pass 9 level system board, switches and jumpers 40
- password 96
 - administrator 96
 - power-on 96
- password, power-on
 - switch on pass 8 level system board 97
 - switch on pass 9 level system board 98
- PCI
 - slot 1 26
 - slot 2 26
- PCI expansion slots 6
- PCI Express riser-card assembly
 - replacing with a PCI-X riser-card assembly 66
- PCI riser slots
 - installation configurations 65
 - supported configurations 65
- PCI riser-card assembly
 - replacing 63
- PCI-X riser-card assembly
 - replacing with a PCI Express riser-card assembly 67
- power
 - power-control button 15
 - specifications 7
 - supply 6
- power features
 - of the server 31
- power on and working inside the server 48
- power supply
 - installing 78
- power-on
 - LED
 - rear 27
- power-on LED 15, 31
- power-on password 95
- Power-supply LEDs 28
- presence detection button 16
- public services network, use in 118
- public telecommunications network, connection to 118

R

- rack release latches 14
- RAID array
 - creating 108
- RAS features 11
- rear view
 - of the server 26
- redundant
 - cooling 11
 - Ethernet connection 11
 - NIC 11
- Redundant
 - Ethernet capabilities 12
 - hot-swap power supplies 12
- redundant array of independent disks (RAID)
 - adapter 58
- reliability 11
- remind button 17

- remote battery, RAID adapter
 - installing 82
- remote presence feature 9
 - using 104
- removing
 - microprocessor 2 air baffle 50
- removing the cover 49
- replacing
 - a PCI riser-card assembly 63
 - the cover 88
 - the IBM ServeRAID-BR10i controller 68
- replacing a PCI Express riser-card assembly
 - with a PCI-X riser-card assembly 66
- replacing a PCI-X riser-card assembly
 - with a PCI Express riser-card assembly 67
- reset button 17

S

- Safety Information 5
- SAS/SATA IDs
 - for hot-swap drives 59
- SATA
 - IDs for simple-swap drives 60
- serial connector 26
- serial number 3
- server
 - configuring 91
 - offerings 8
 - power features 31
 - turning it off 32
 - turning it on 31
 - working inside with the power on 48
- server , backup firmware
 - starting 99
- server components 35
- server configuration
 - updating 89
- server controls, LEDs, and power 14
- server firmware
 - updating 74
- server rear view 26
- server shutdown 32
- server, front view 14
- ServeRAID support 11
- ServeRAID-BR10i controller
 - replacing 68
- ServeRAID-MR10i controller
 - installing 71
- ServerGuide
 - features 100
 - NOS installation 101
 - setup 101
 - using 100
- ServerGuide CD 3, 10
- serviceability 11
- Setup utility
 - menu choices 93
 - starting 92
 - using 92
- shutting down the server 32

- simple-swap drive
 - SATA IDs 60
- simple-swap front view
 - LED location 14
- simple-swap SATA disk drive (e.5-inch), installing 59
- simple-swap SATA hard disk drives
 - installing 59
- slots
 - PCI expansion 6
- SMP 9
- software service and support 112
- specifications 6
- standby mode 31
- starting
 - the backup firmware 99
 - the Setup utility 92
- statements and notices 5
- static-sensitive devices
 - handling 48
- SW3 switch block description
 - for the Pass 8 level system board 40
 - for the Pass 9 level system board 43
- SW4 switch block description
 - for the Pass 9 level system board 43
- switch block, Pass 8 level system board 40
- switch block, Pass 9 level system board 43
- switches and jumpers
 - on the Pass 8 level system board 38
 - on the Pass 9 level system board 40
 - on the system board 38
- symmetric multiprocessing 9
- system
 - error LED front 16
 - locator LED, front 16
 - system-error LED
 - rear 27
- System
 - information LED 16
- system board
 - LEDs 45
 - switches and jumpers 38
- system board external connectors 37
- system board internal connectors 36
- system board optional devices connectors 46
- system board, Pass 8
 - switches and jumpers 38
- system board, Pass 9
 - switches and jumpers 40
- system pulse LEDs 30
- system reliability guidelines 47
- system-locator
 - LED
 - rear 28
- systems management 8, 11
- systems management tool
 - IBM Systems Director 13
- systems-management
 - Ethernet connector 26

T

- telephone numbers 113
- temperature 6
- thermal grease 77
- TOE 7
- trademarks 115
- turning off the server 32
 - integrated baseboard management controller 33
- turning on the server 31

U

- United States electronic emission Class A notice 118
- United States FCC Class A notice 118
- UpdateXpress 110
- UpdateXpress System Packs 13
- updating
 - IBM Systems Director 109
 - server firmware 74
 - Systems Director, IBM 109
 - the server configuration 89
- USB
 - connector 15, 26
- using
 - embedded hypervisor 103
 - LSI Configuration program 106
 - the boot manager program 99
 - the remote presence feature 104
 - the Setup utility 92
- Utility program
 - IBM Advanced Settings 108
- utility, Setup
 - menu choices 93
 - starting 92
 - using 92

V

- video connector
 - front 15
 - rear 26
- video controller, integrated
 - specifications 6
- virtual media key
 - installing 81
- virtual media key, support 9

W

- Wake on LAN feature 32
- website
 - personalized support 112
 - publication ordering 112
 - support line, telephone numbers 113
- what the server offers 8
- working inside the server
 - with the power on 48

X

X-Architecture technology 9



Part Number: 00D9279

Printed in USA

(1P) P/N: 00D9279

